

[54] LAMP BASE

[75] Inventor: Willem Anema, Drachten, Netherlands

[73] Assignee: U.S. Philips Corporation, New York, N.Y.

[\*\*] Term: 14 Years

[21] Appl. No.: 810,446

[22] Filed: Dec. 17, 1985

[30] Foreign Application Priority Data

Jul. 8, 1985 [GB] United Kingdom ..... 1027803

[52] U.S. Cl. .... D26/2

[58] Field of Search ..... D26/1, 2, 3, 26; 313/315, 317, 318, 113, 493; 362/217; 315/56, 57, 58, 53; D13/24, 25; 439/224-245, 611, 612, 617, 366, 753

[56] References Cited

U.S. PATENT DOCUMENTS

D. 262,405	12/1981	Zabransky	.....	D26/2
D. 282,490	2/1986	Fujita et al.	.....	D26/3
2,010,084	8/1935	Howe	.....	439/617
3,611,009	10/1971	McNeil	.....	315/57
4,561,682	12/1985	Tisserat	.....	D13/24
4,568,178	4/1987	Bradley et al.	.....	313/113

FOREIGN PATENT DOCUMENTS

853147	3/1940	France	.....	439/245
--------	--------	--------	-------	---------

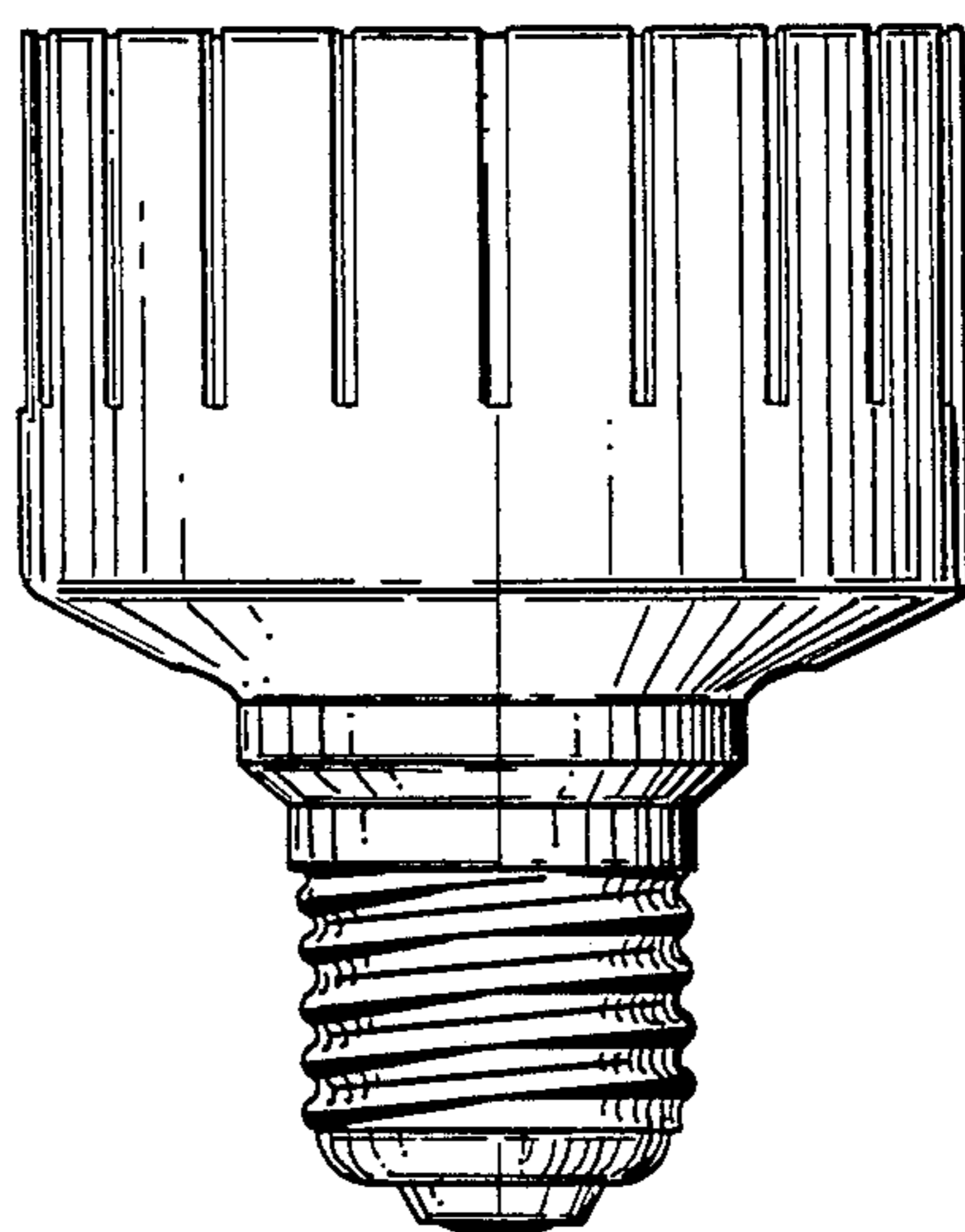
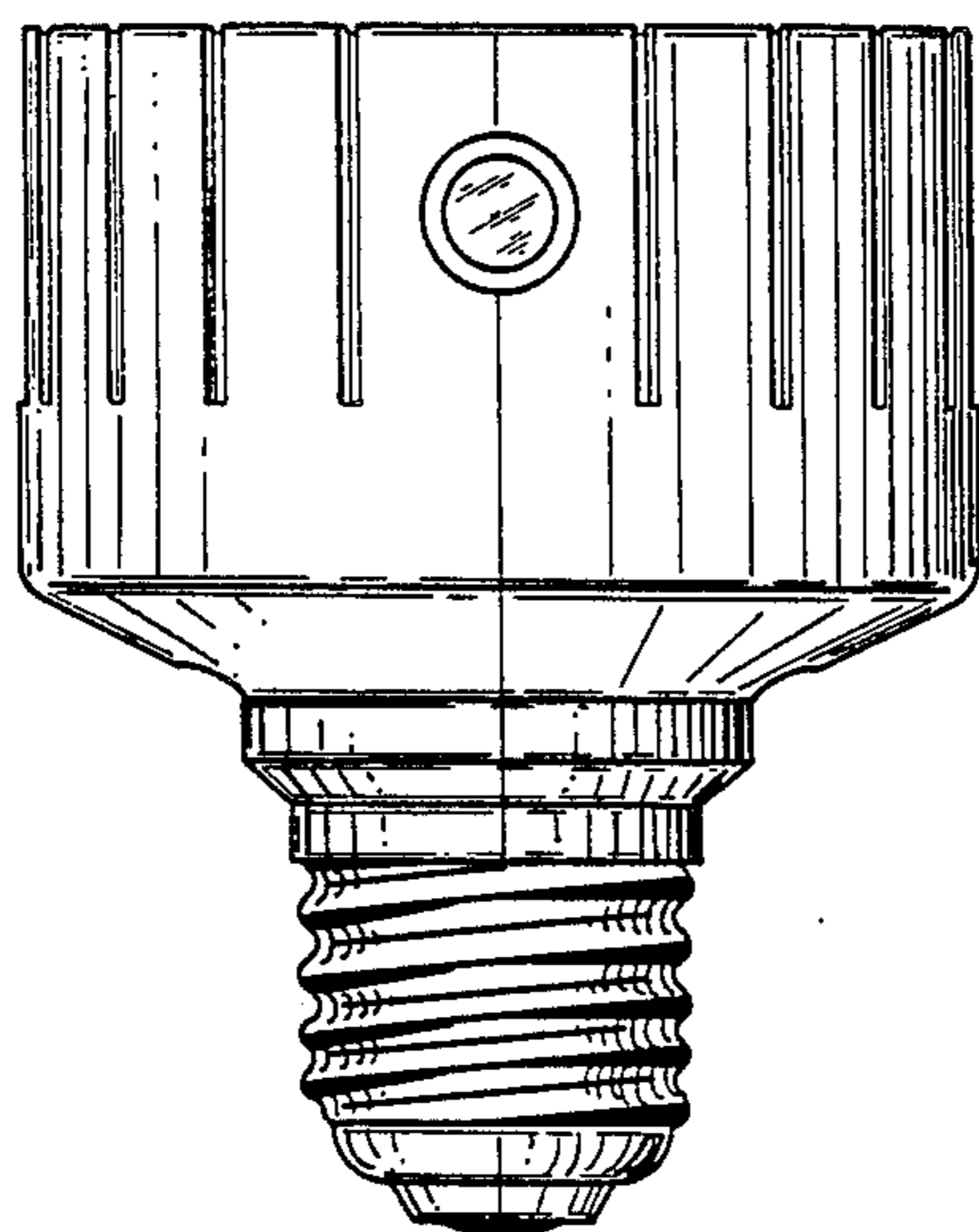
Primary Examiner—Susan J. Lucas

[57] CLAIM

The ornamental design for a lamp base, as shown.

DESCRIPTION

FIG. 1 is a front and bottom perspective view of the lamp base showing my new design;  
 FIG. 2 is a front elevational view thereof;  
 FIG. 3 is a rear elevational view thereof;  
 FIG. 4 is a right side elevational view thereof;  
 FIG. 5 is a left side elevational view thereof;  
 FIG. 6 is a top plan view thereof;  
 FIG. 7 is a bottom plan view thereof.



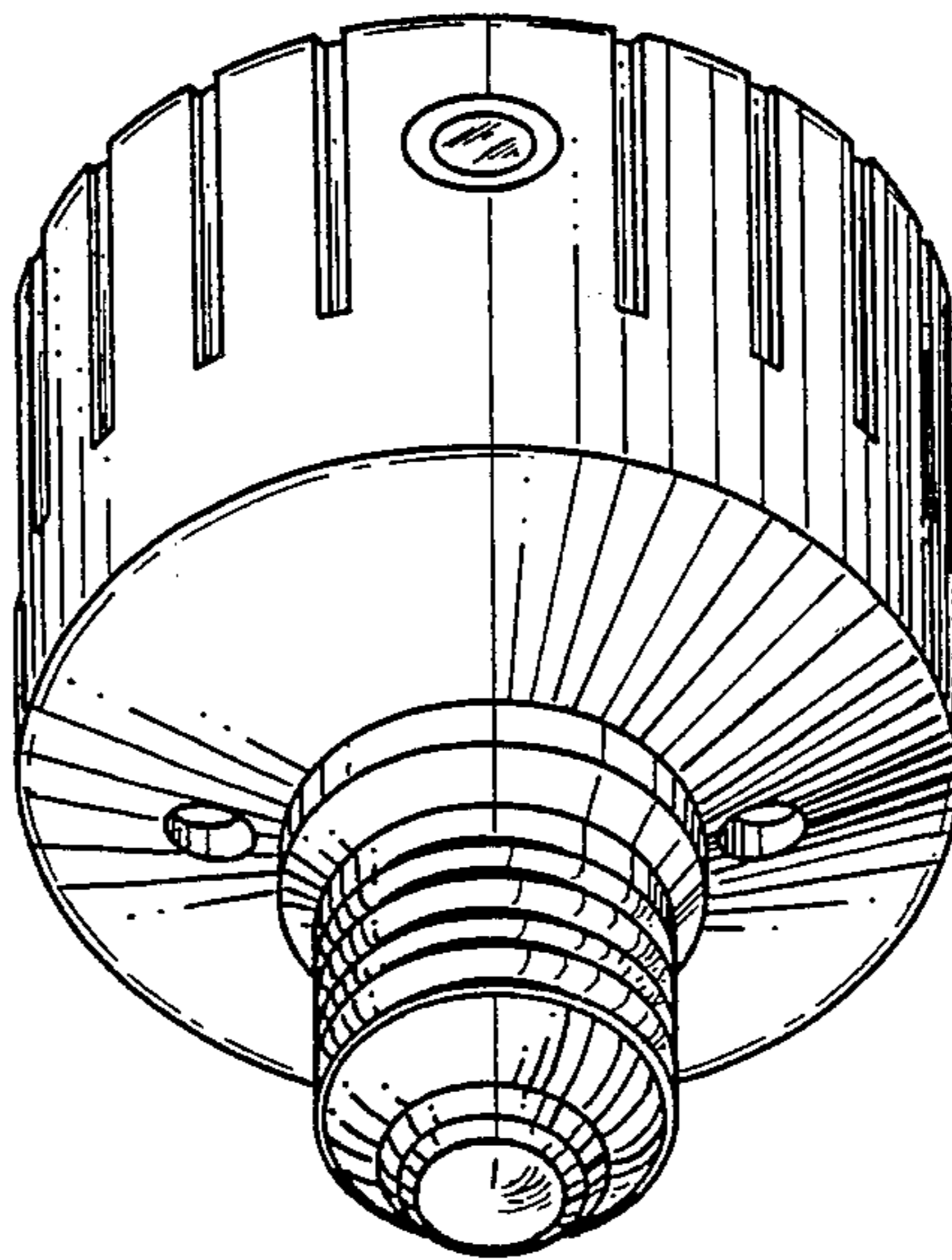


FIG. 1

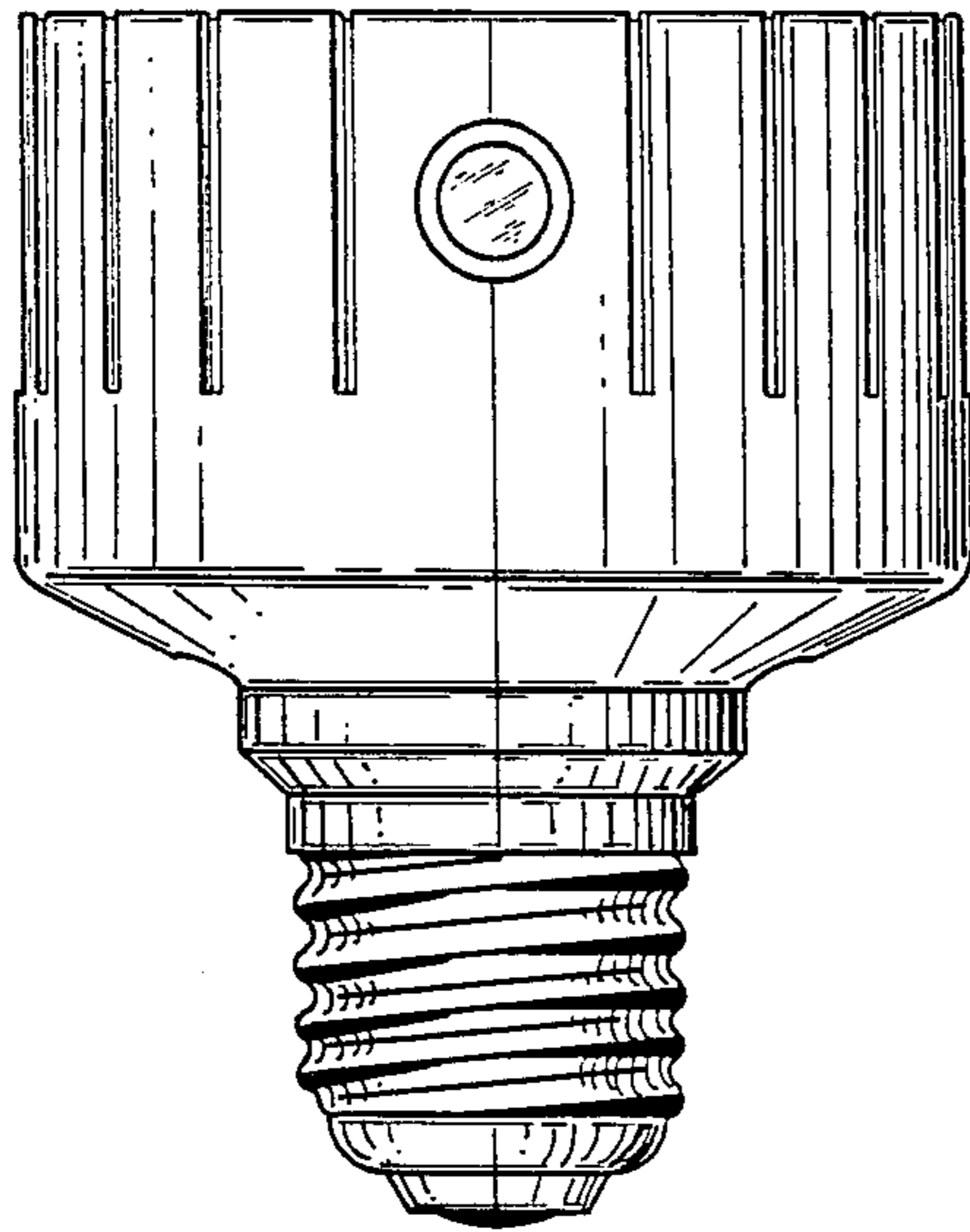


FIG. 2

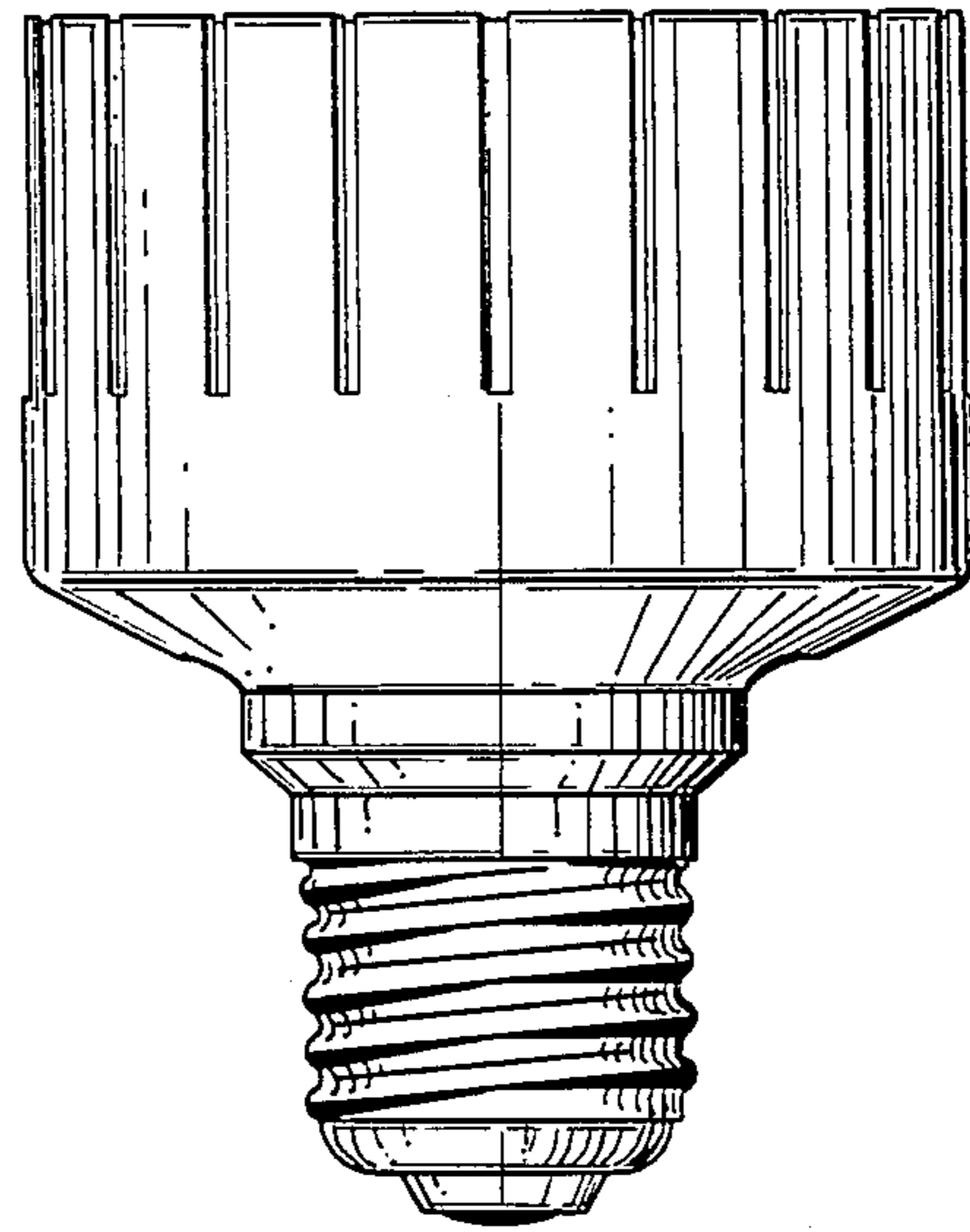


FIG. 3

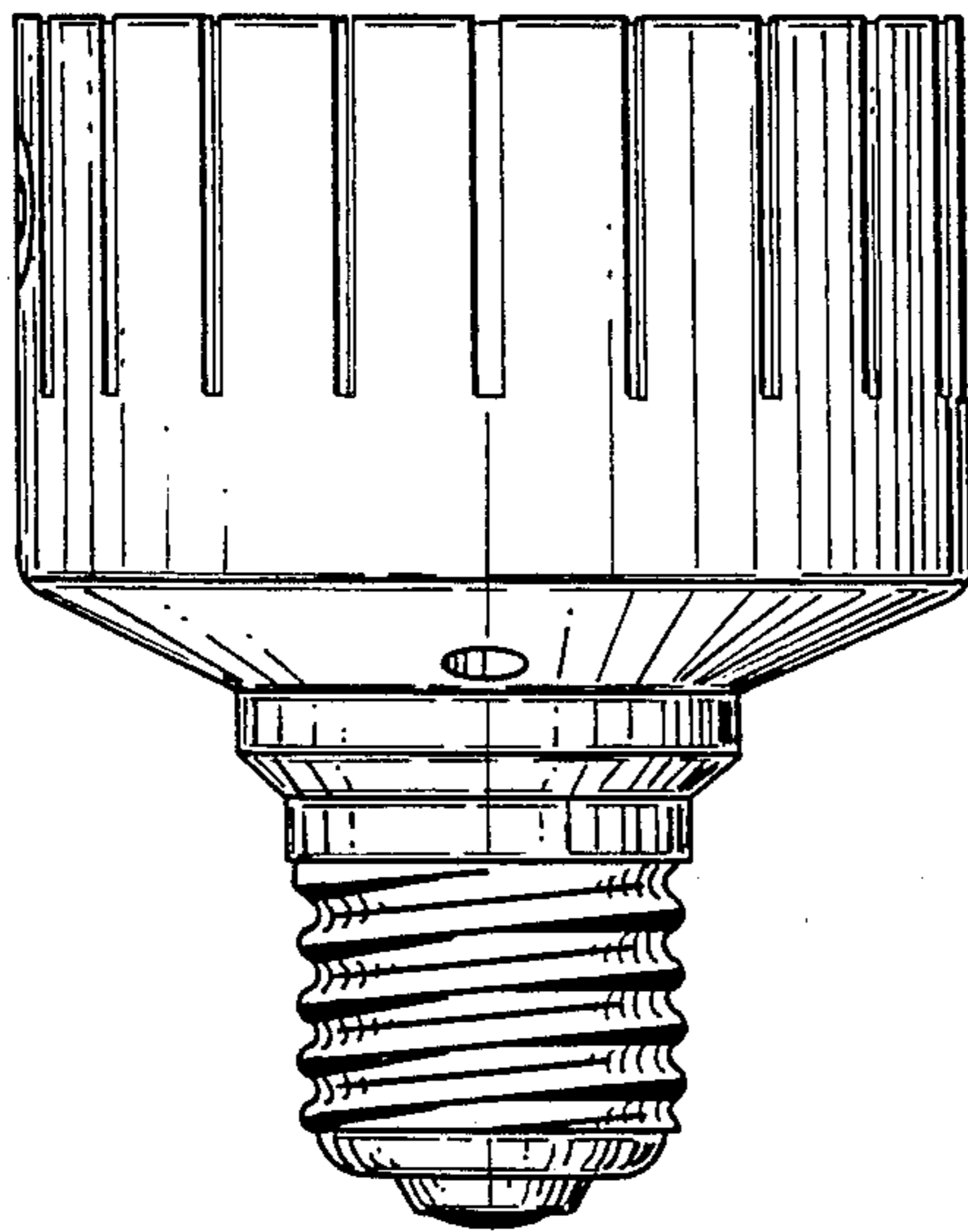


FIG. 4

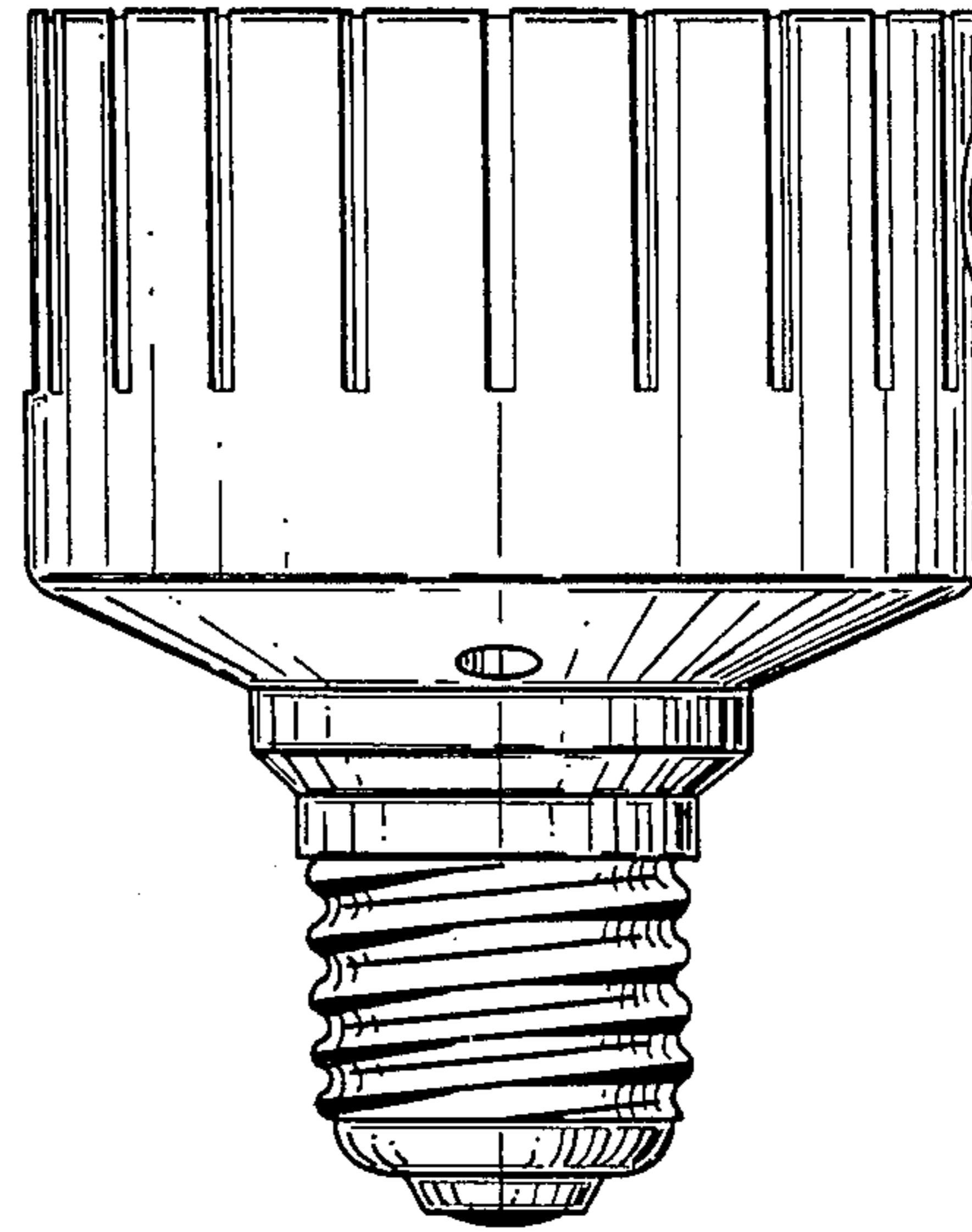


FIG. 5

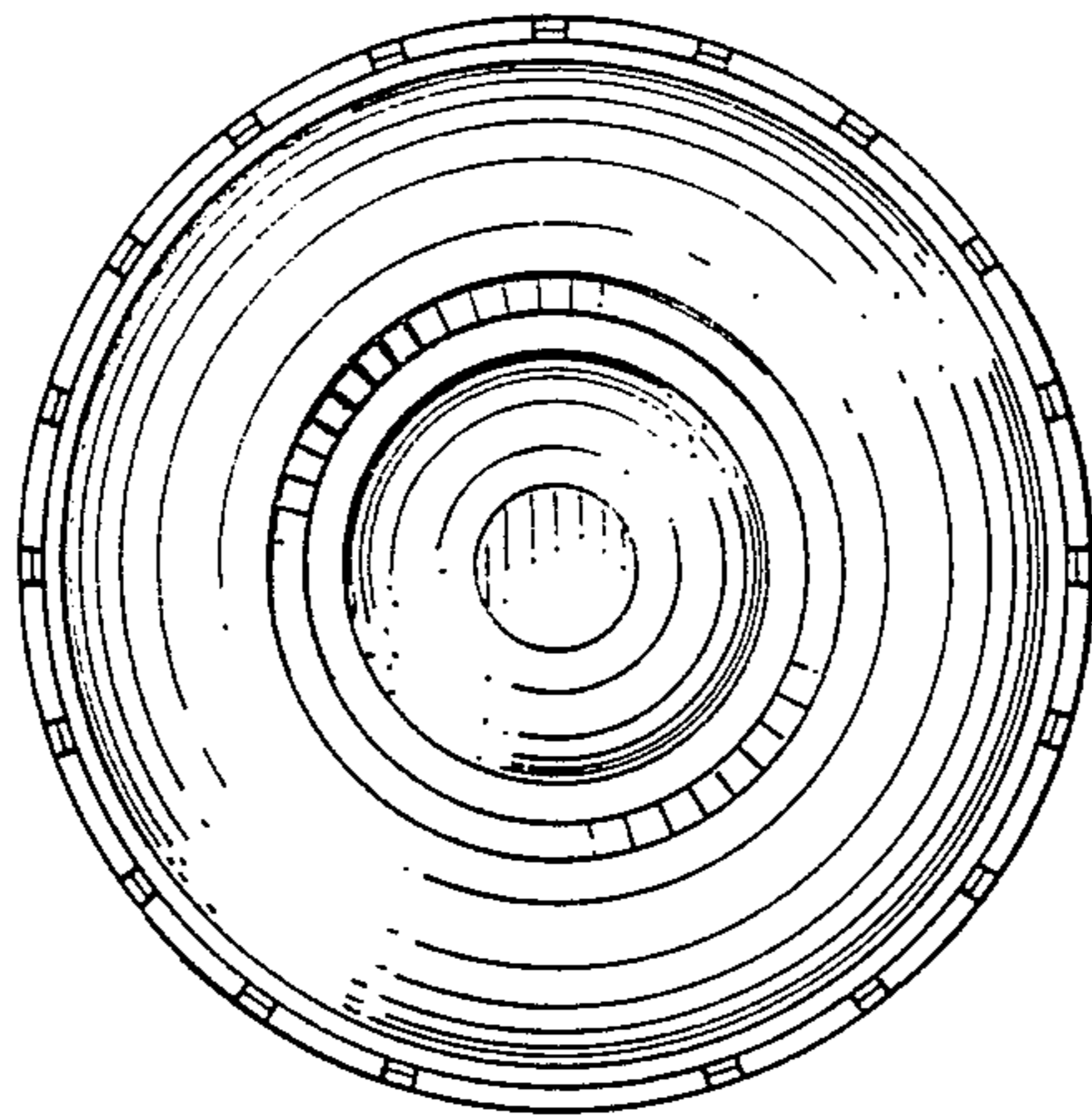


FIG. 6

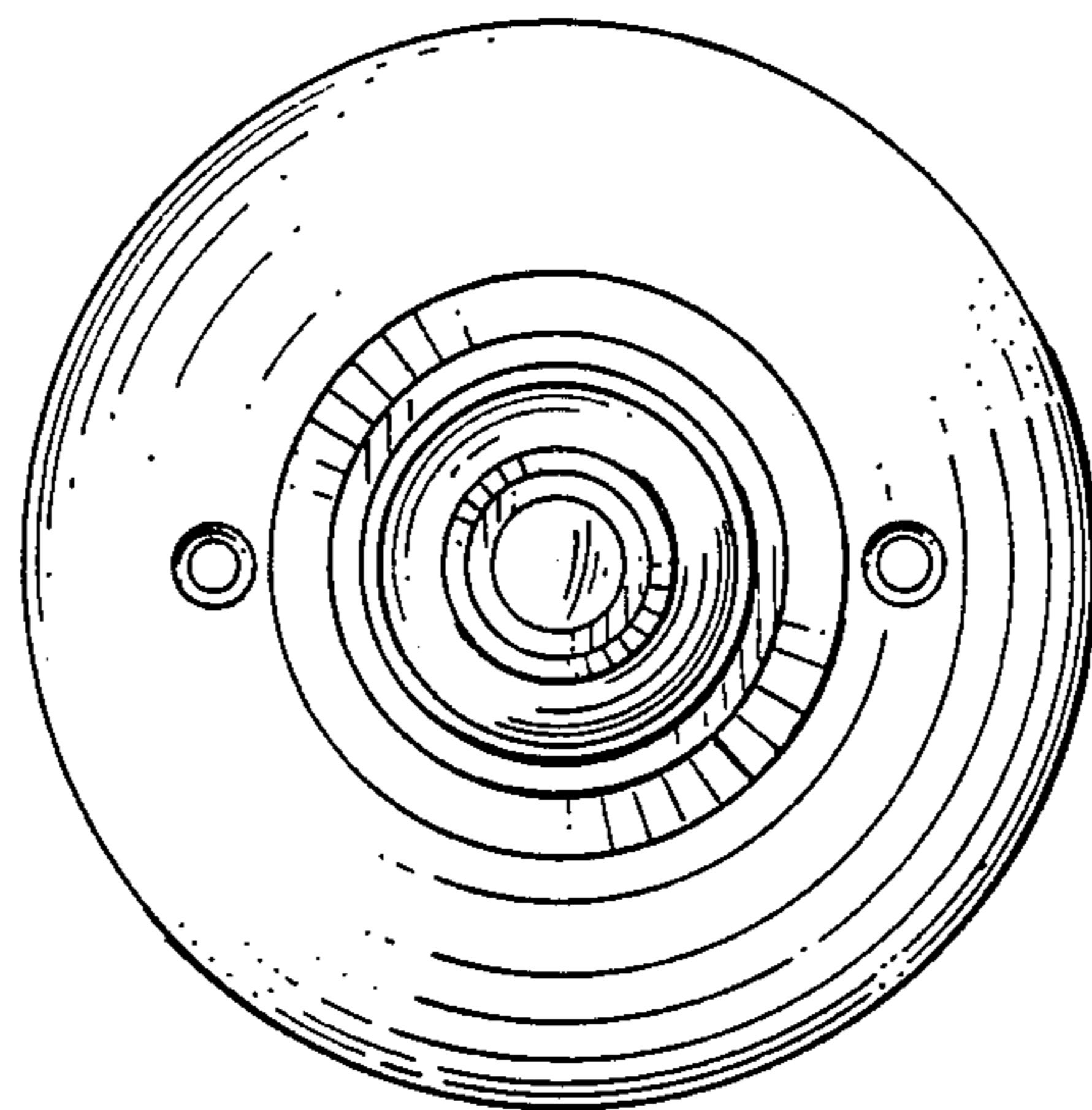


FIG. 7