

[54] **FRAME MEMBER FOR A WINDOW JAMB  
FOR A BOW WINDOW OR THE LIKE**

[75] **Inventor: Julian S. Dunnick, York, Pa.**

[73] **Assignee: Capitol Products Corporation,  
Mechanicsburg, Pa.**

[\*\*] **Term: 14 Years**

[21] **Appl. No.: 727,145**

[22] **Filed: Apr. 25, 1985**

[52] **U.S. Cl. .... D25/119**

[58] **Field of Search ..... D25/119, 125; 49/413,  
49/419, 423, 469, 501, 504**

[56] **References Cited**

**U.S. PATENT DOCUMENTS**

- D. 162,843 4/1951 Klein ..... D25/119
- D. 221,742 9/1971 Starck et al. .... D25/119

4,344,257 8/1982 Anderson ..... D25/119 X

*Primary Examiner*—A. Hugo Word  
*Attorney, Agent, or Firm*—John F. Sieberth

[57] **CLAIM**

The ornamental design for a frame member for a window jamb for a bow window or the like, as shown and described.

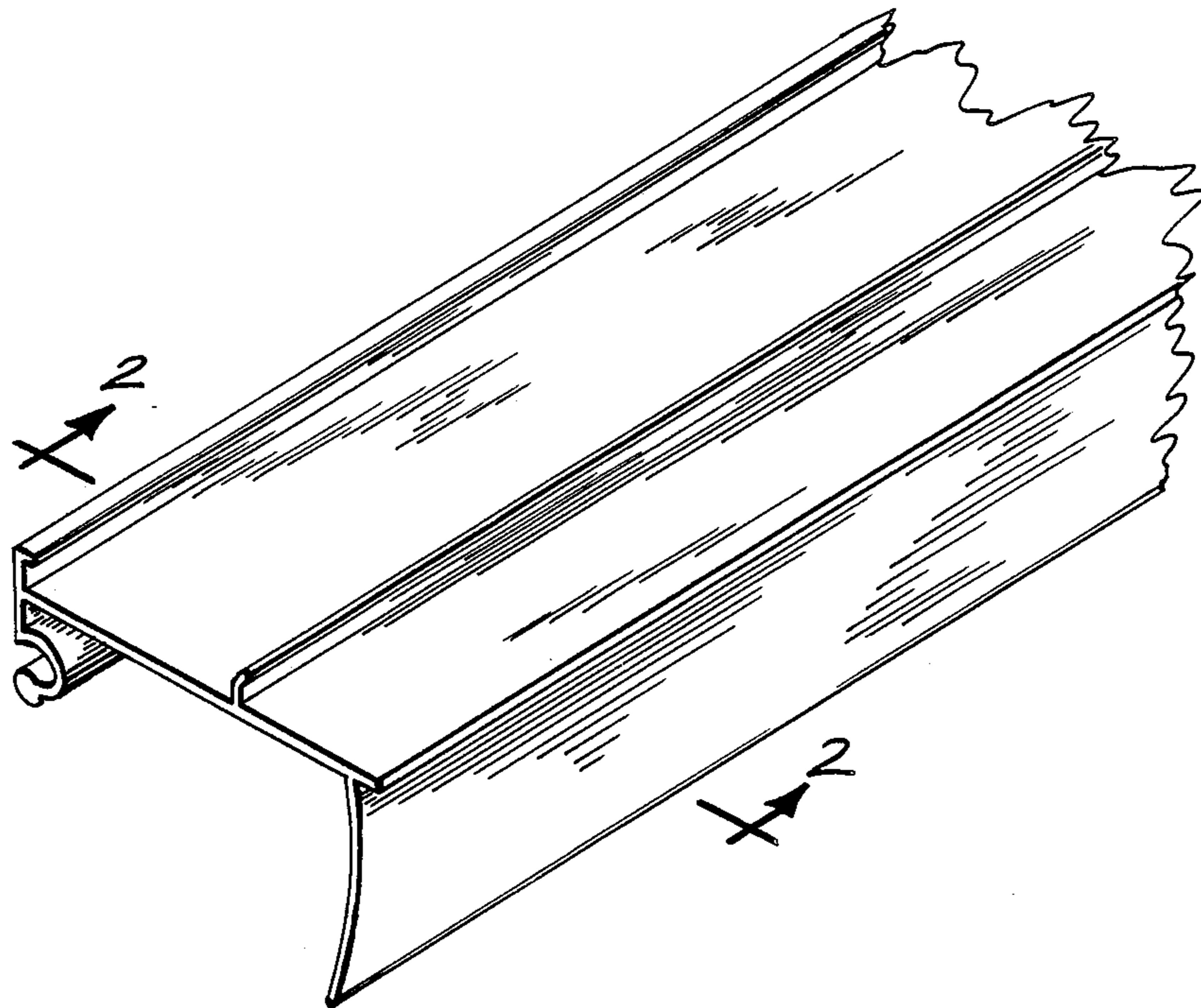
**DESCRIPTION**

FIG. 1 is a perspective view of a frame member for a window jamb for a bow window or the like embodying my new design, shown fragmentarily to indicate indeterminate length.

FIG. 2 is a sectional view thereof, taken along line 2—2 of FIG. 1.

FIG. 3 is a top view of the frame member of FIG. 1.

FIG. 4 is a side elevation of the frame member of FIG. 1.



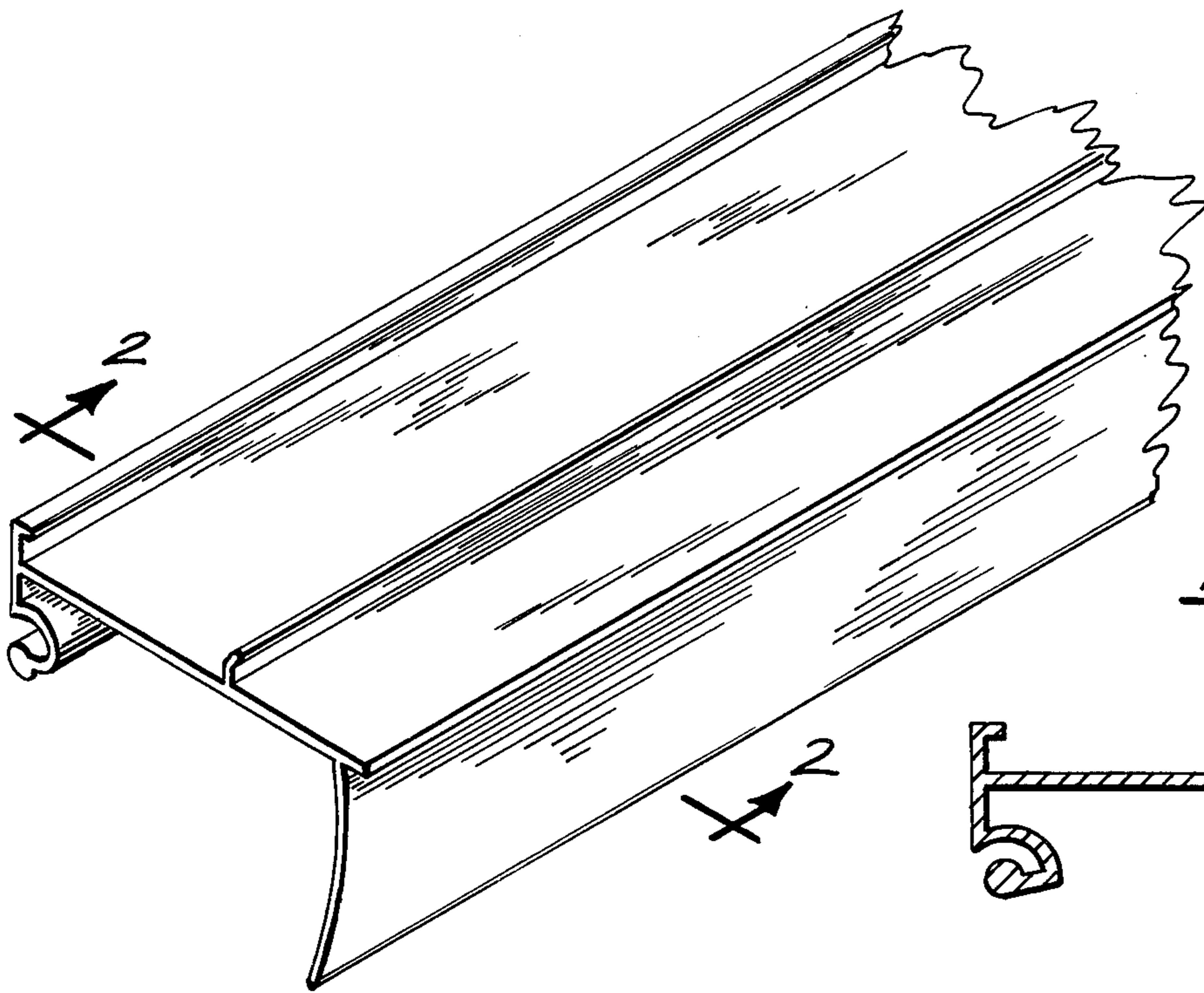


FIG. 1.

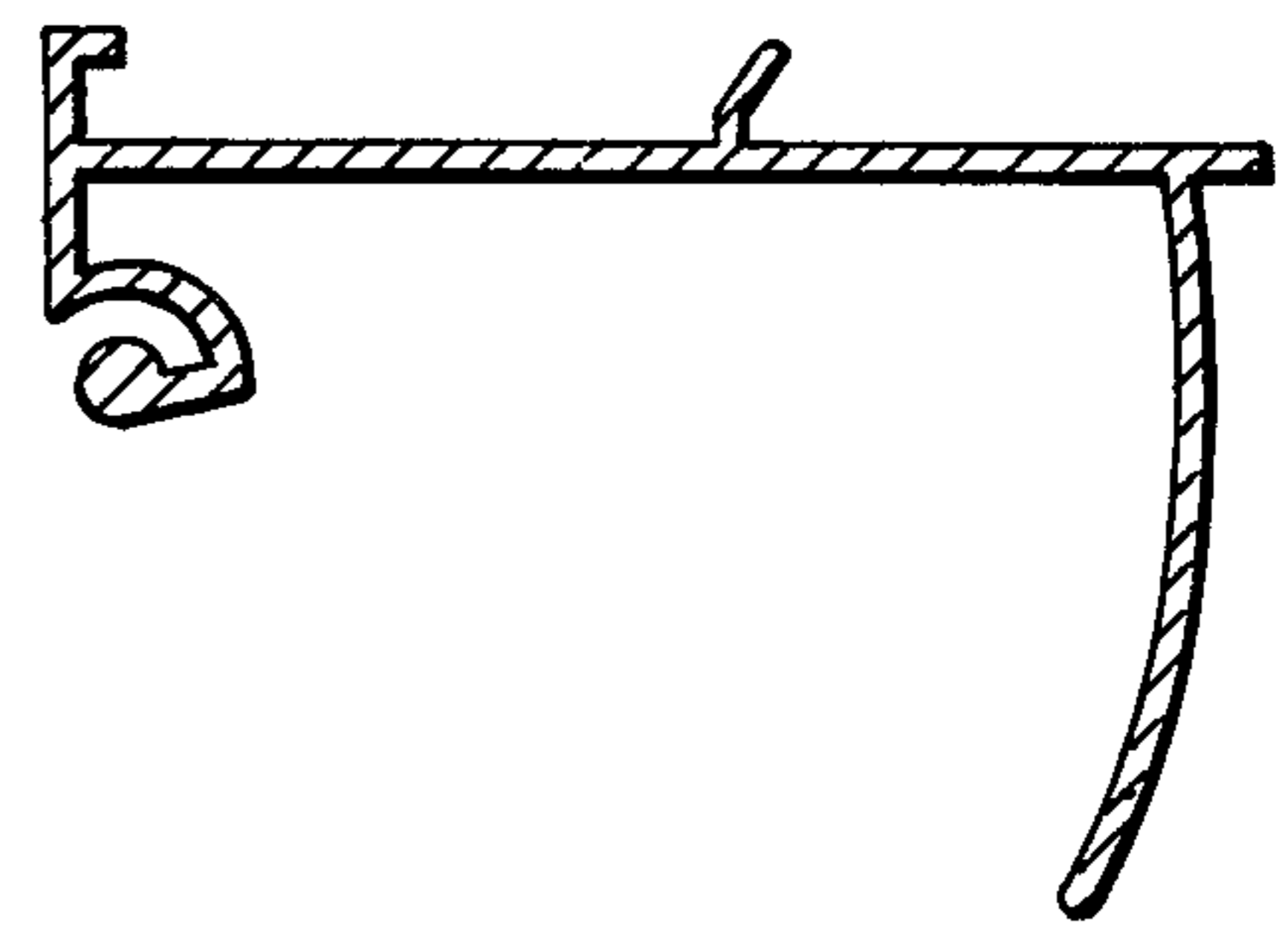


FIG. 2.

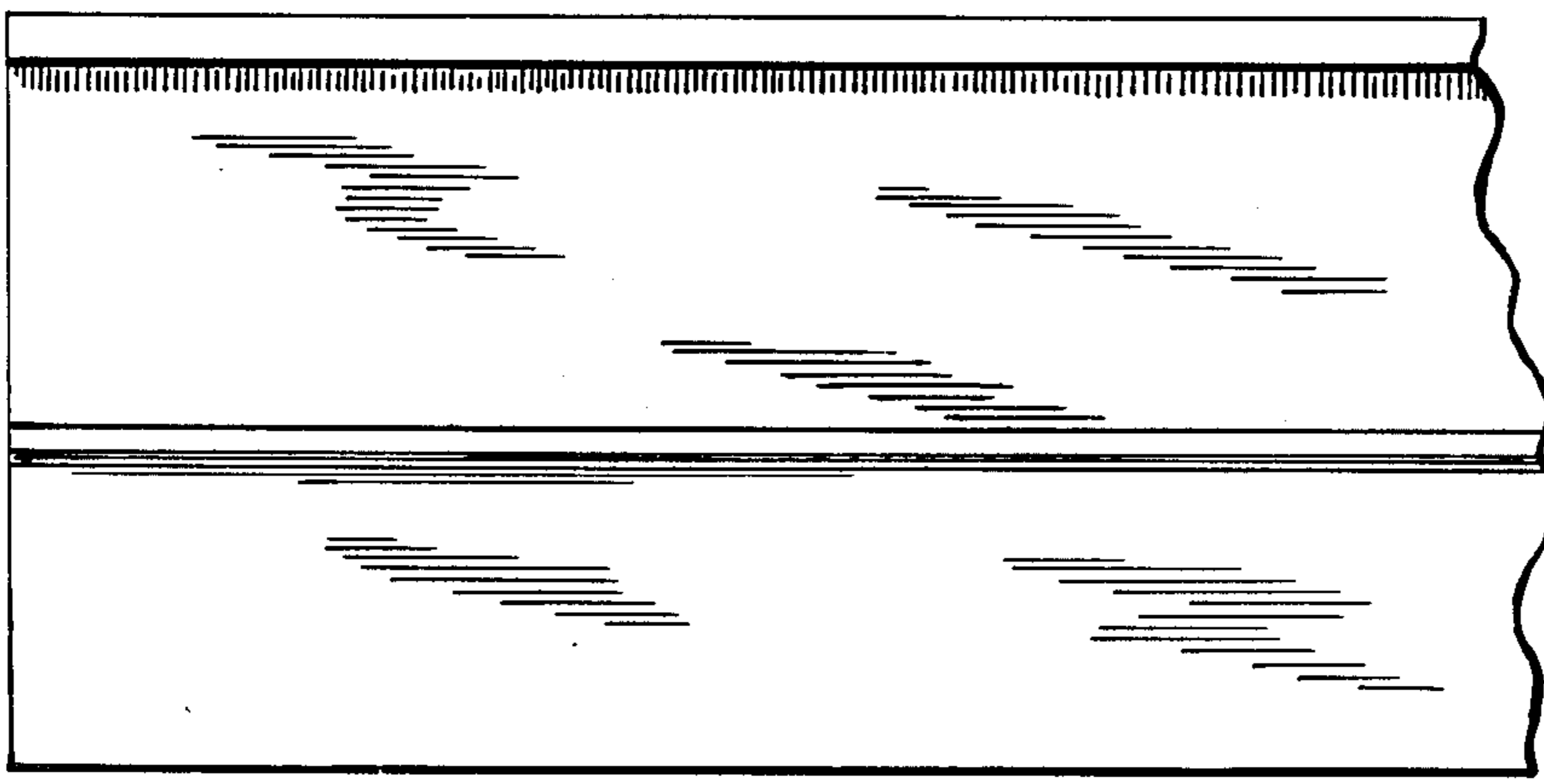


FIG. 3.

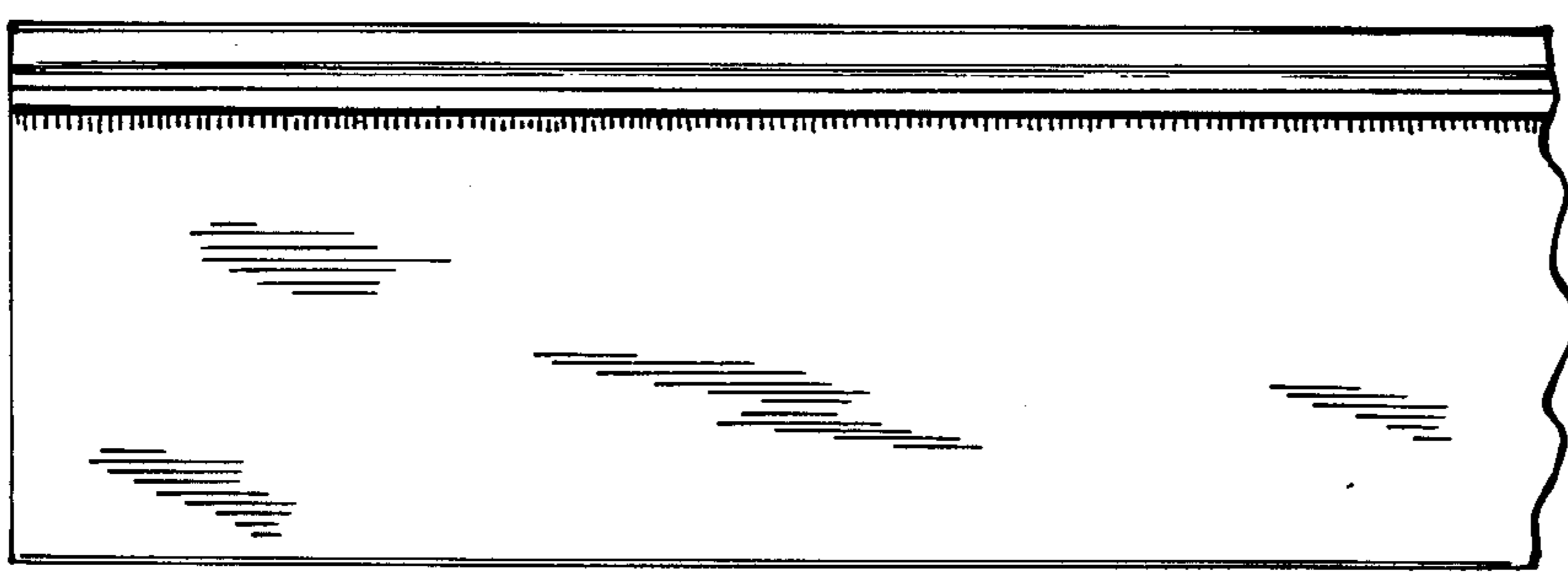


FIG. 4.