

[54] FRAME MEMBER FOR A WINDOW JAMB FOR A BOW WINDOW OR THE LIKE

[75] Inventor: Julian S. Dunnick, York, Pa.

[73] Assignee: Capitol Products Corporation, Mechanicsburg, Pa.

[**] Term: 14 Years

[21] Appl. No.: 727,116

[22] Filed: Apr. 25, 1985

[52] U.S. Cl. D25/119

[58] Field of Search D25/119, 125; 49/413, 49/419, 423, 469, 501, 504; 52/716

[56] References Cited

U.S. PATENT DOCUMENTS

- D. 162,843 4/1951 Klein D25/119
- D. 221,742 9/1971 Starck et al. D25/119

4,344,257 8/1982 Anderson D25/119 X

Primary Examiner—A. Hugo Word
Attorney, Agent, or Firm—John F. Sieberth

[57] CLAIM

The ornamental design for a frame member for a window jamb for a bow window or the like, as shown and described.

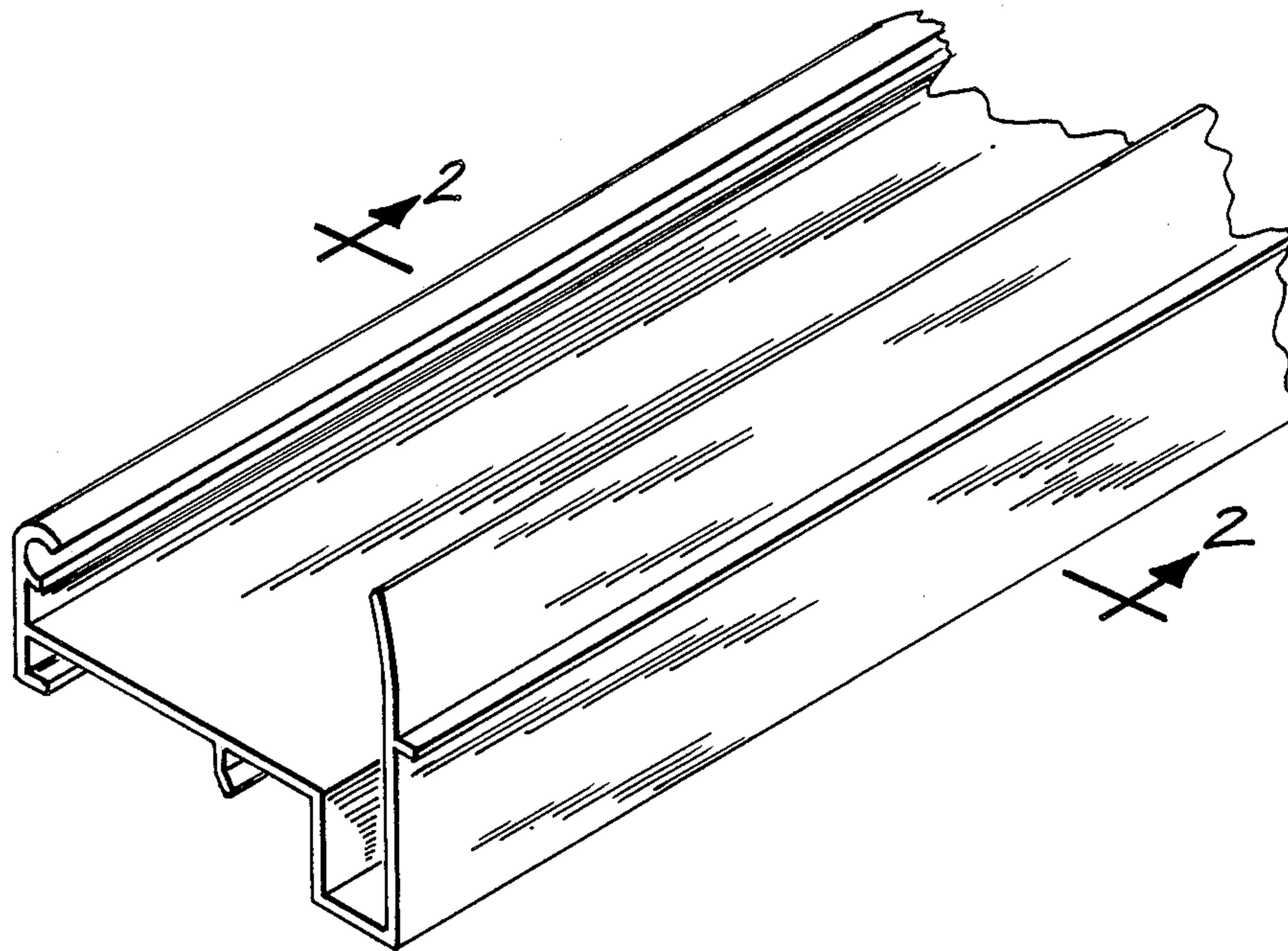
DESCRIPTION

FIG. 1 is a perspective view of a frame member for a window jamb for a bow window or the like embodying my new design, shown fragmentarily to indicate indeterminate length.

FIG. 2 is a sectional view thereof, taken along line 2—2 of FIG. 1.

FIG. 3 is a top view of the frame member of FIG. 1.

FIG. 4 is a side elevation of the frame member of FIG. 1.



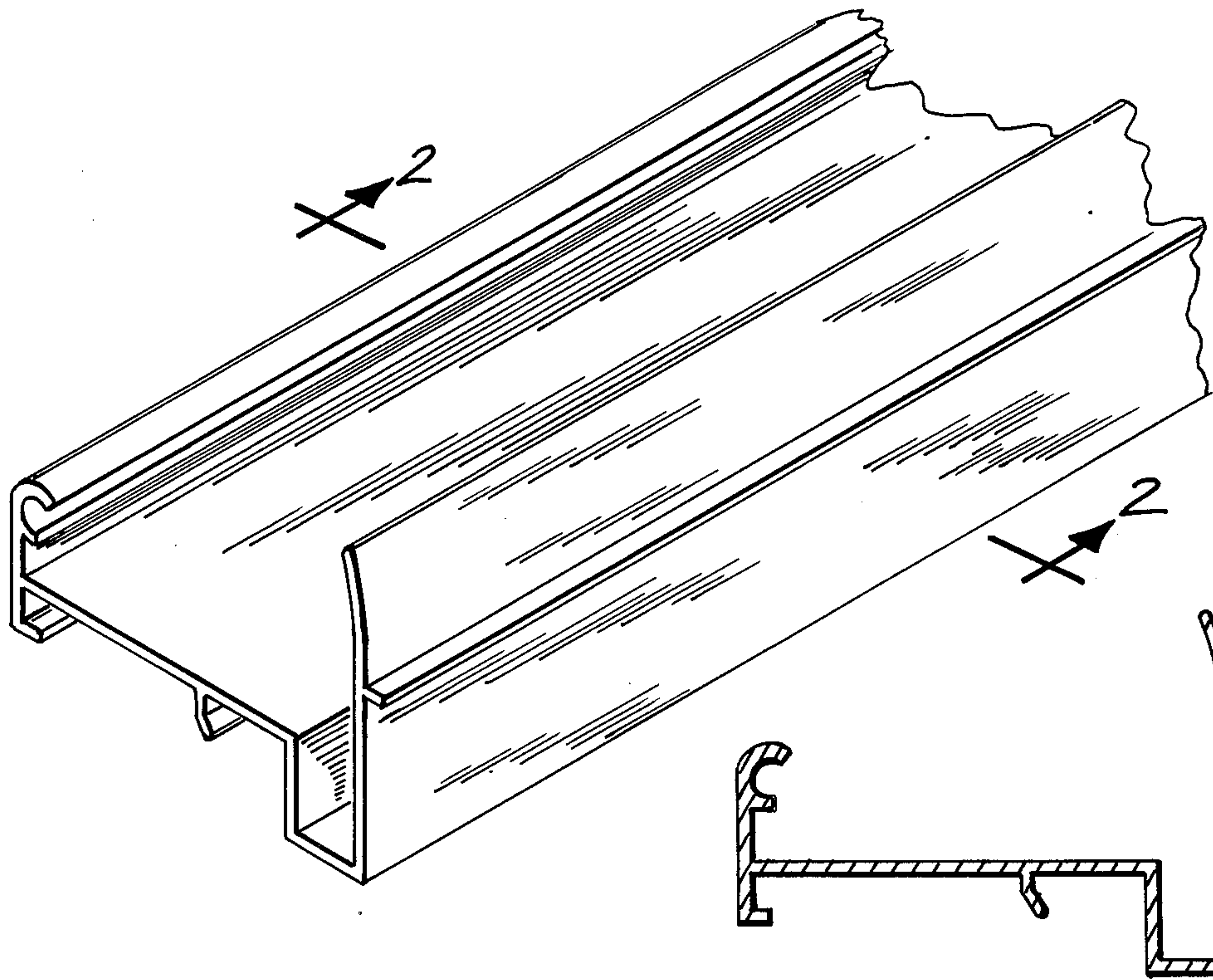


FIG. 1.

FIG. 2.

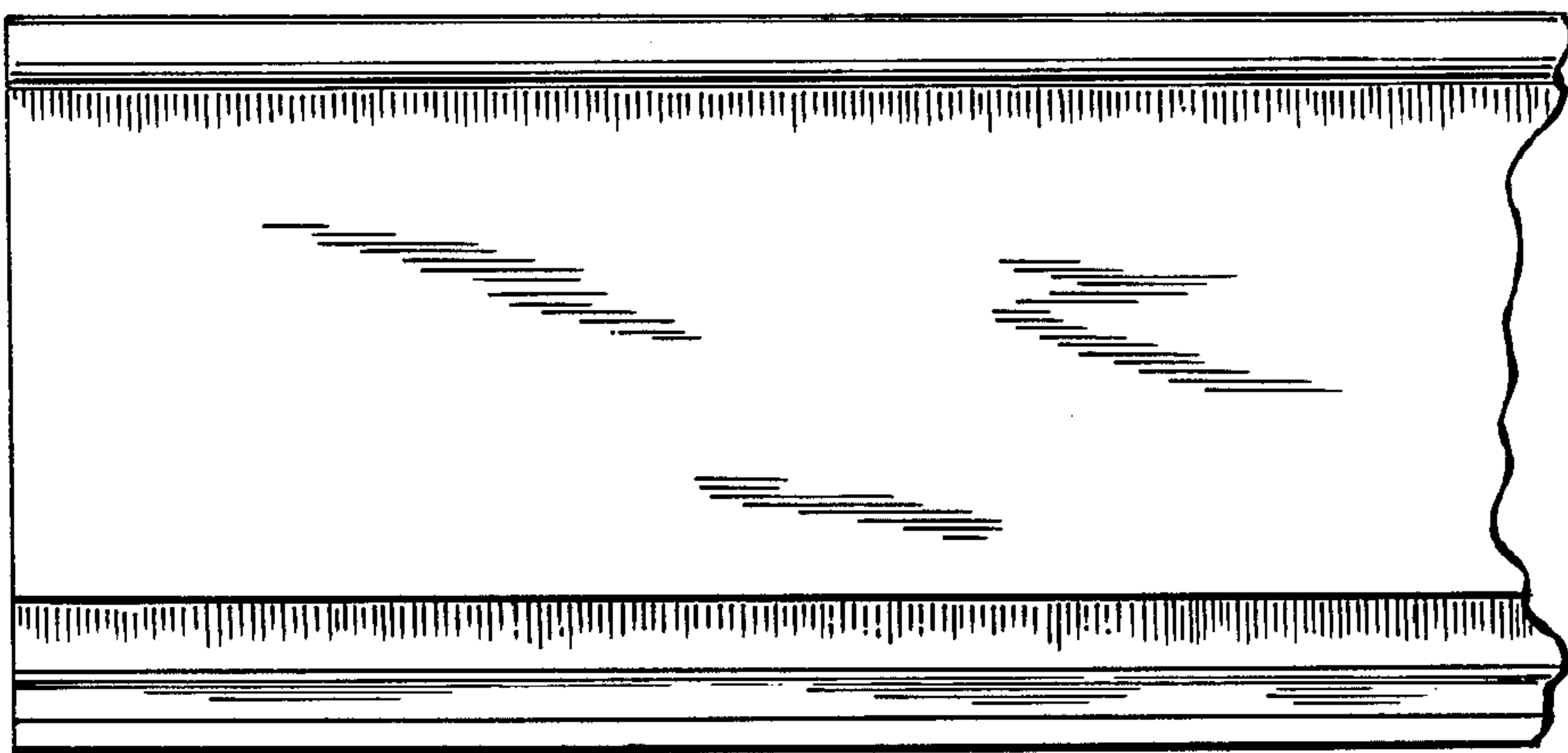


FIG. 3.

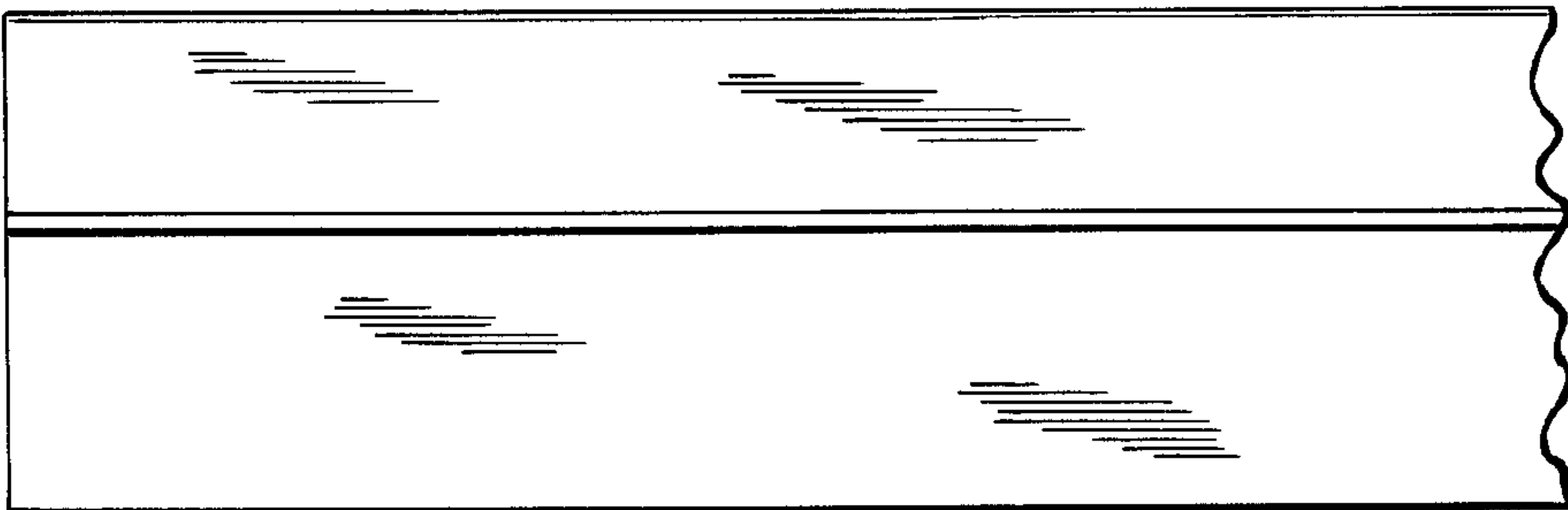


FIG. 4.