

[54] MULTI-CHANNEL PIPETTER

[75] Inventor: George F. Lyman, Rocky Point, Me.

[73] Assignee: Costar Corporation, Cambridge, Mass.

[\*\*] Term: 14 Years

[21] Appl. No.: 8,606

[22] Filed: Jan. 28, 1987

[52] U.S. Cl. .... D24/55

[58] Field of Search ..... D24/55; 73/864.11, 863.02, 73/863.32; 422/100

[56] References Cited

U.S. PATENT DOCUMENTS

- D. 279,710 7/1985 Yonkers et al. .... D24/55
- 4,158,035 6/1979 Haase et al. .... 73/863.32

- 4,444,062 4/1984 Bennett et al. .... 73/864.11 X
- 4,527,437 7/1985 Wells ..... 73/864.11

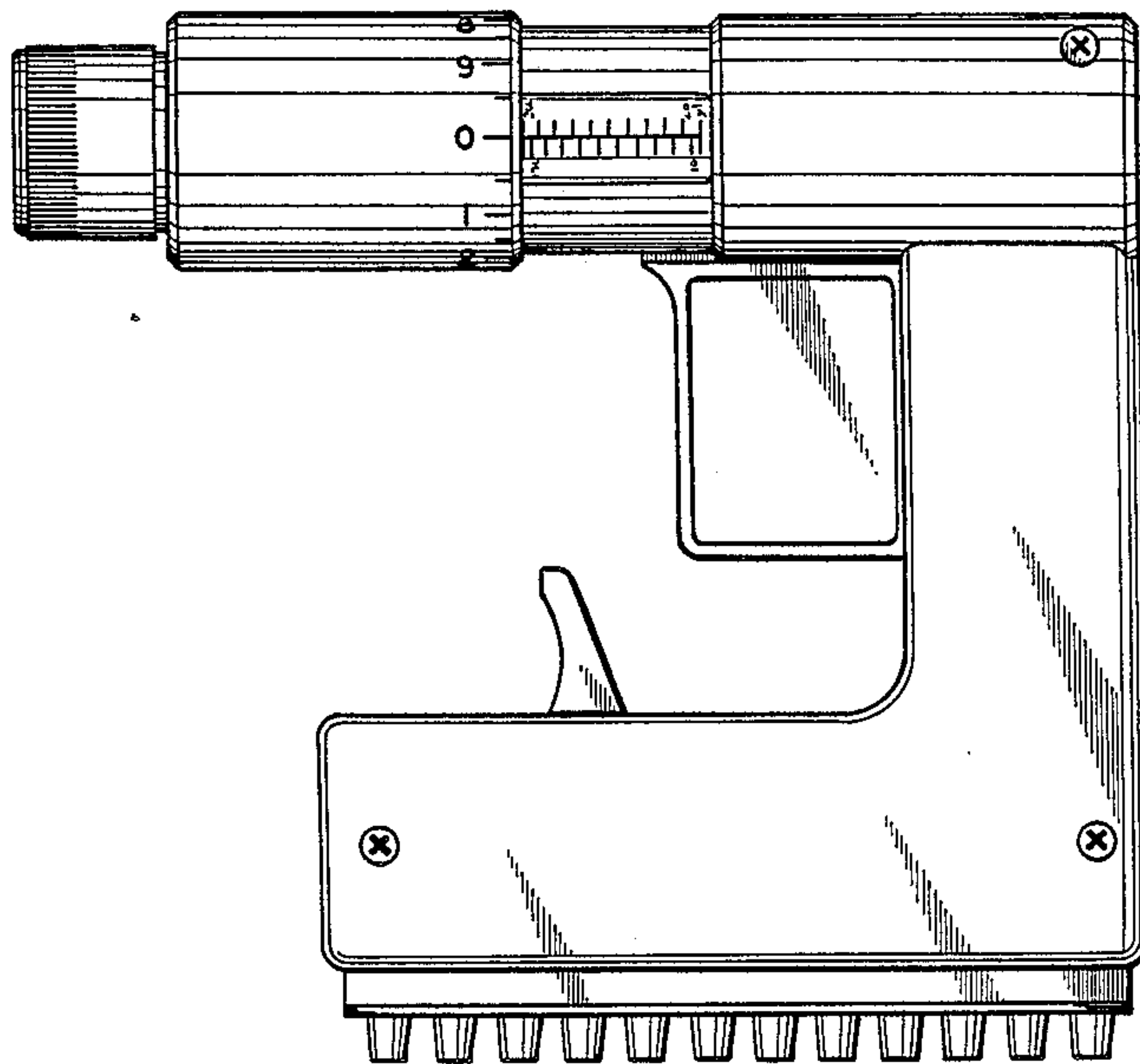
Primary Examiner—Wallace R. Burke  
Assistant Examiner—Stella M. Reid  
Attorney, Agent, or Firm—Wolf, Greenfield & Sacks

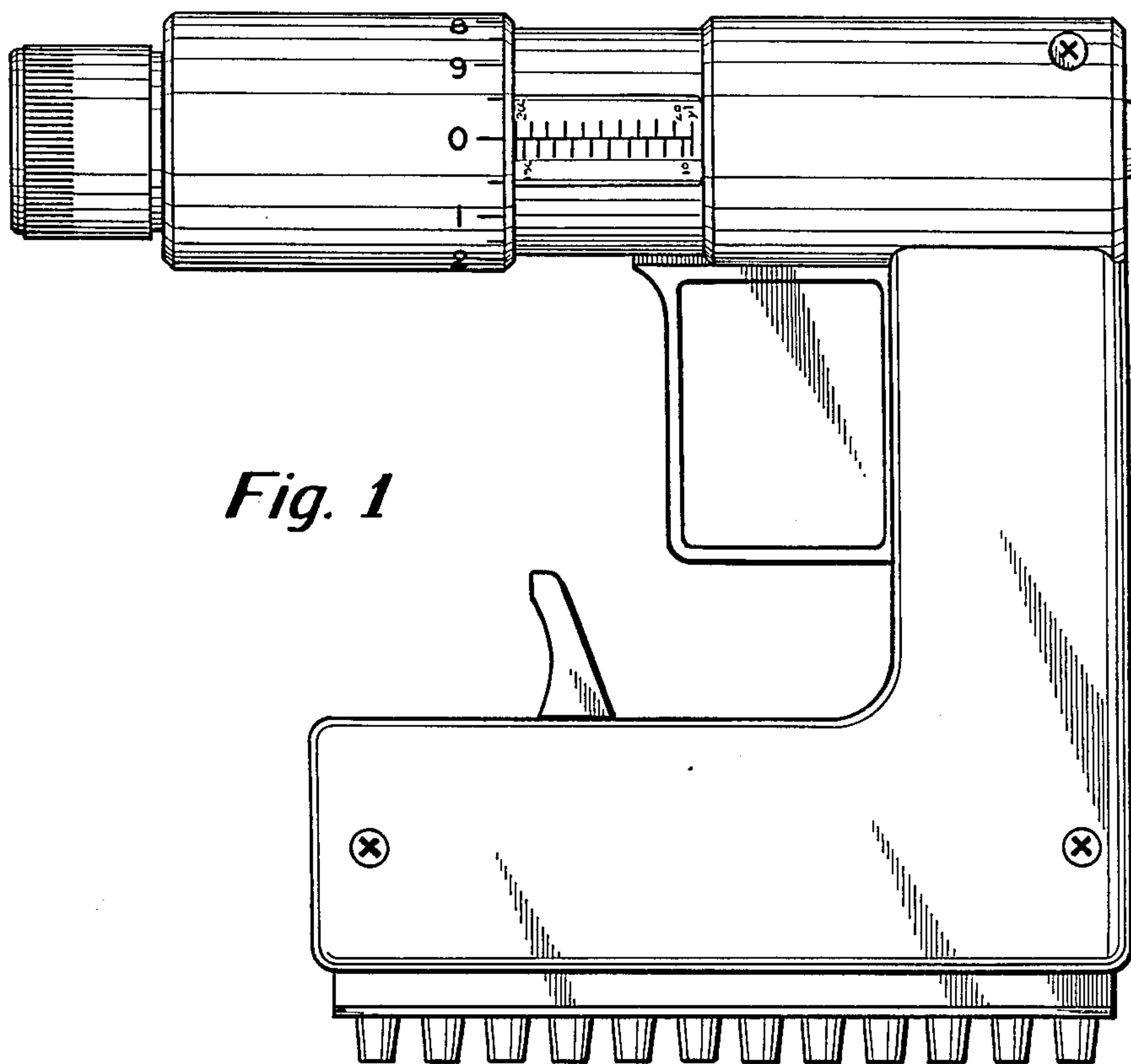
[57] CLAIM

The ornamental design for a multi-channel pipetter, as shown.

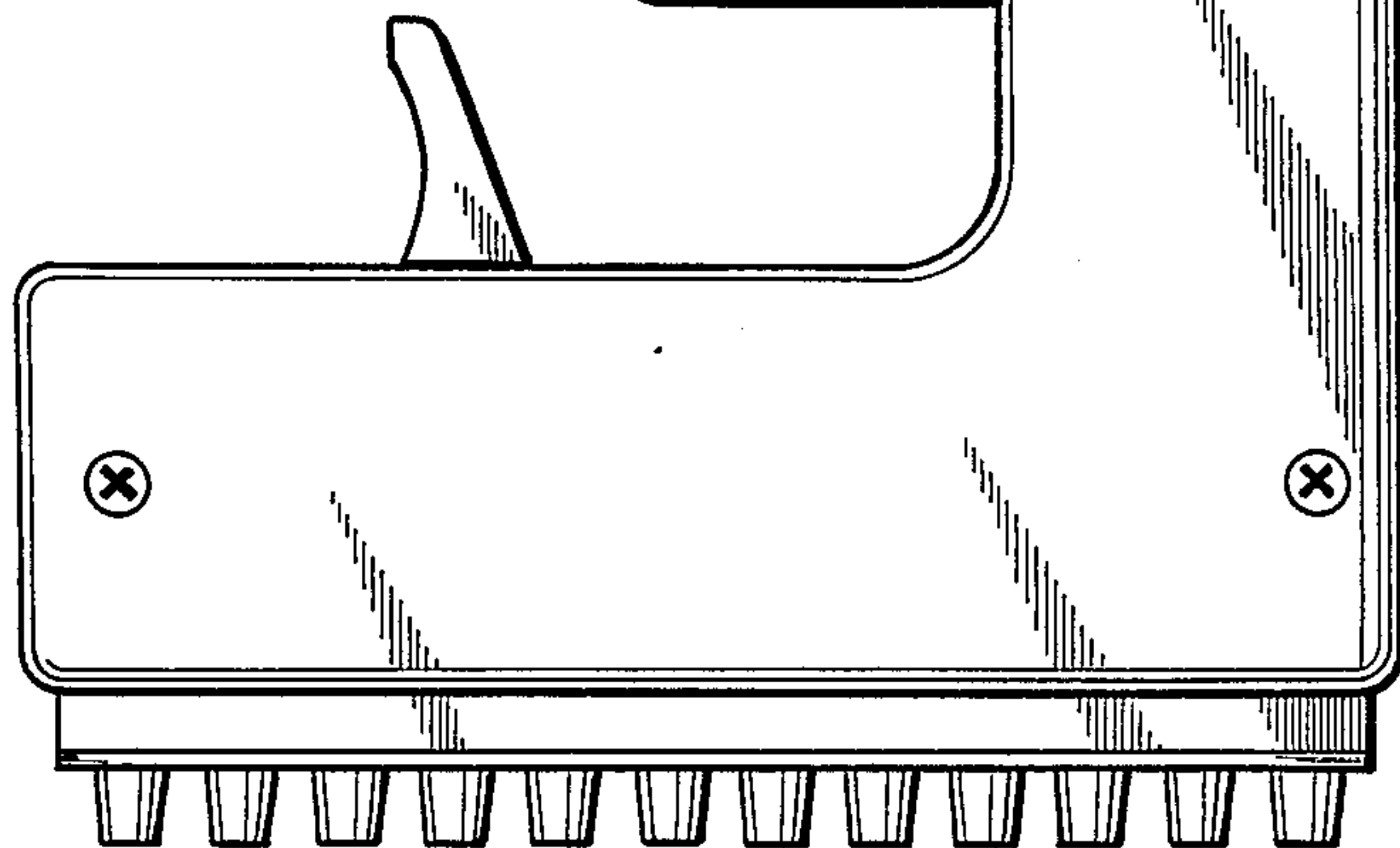
DESCRIPTION

FIG. 1 is front elevational view of a multi-channel pipetter showing my new design;  
FIG. 2 is a top plan view thereof;  
FIG. 3 is a bottom plan view thereof;  
FIG. 4 is a right end elevational view thereof;  
FIG. 5 is a left end elevational view thereof;  
FIG. 6 is a rear elevational view thereof.

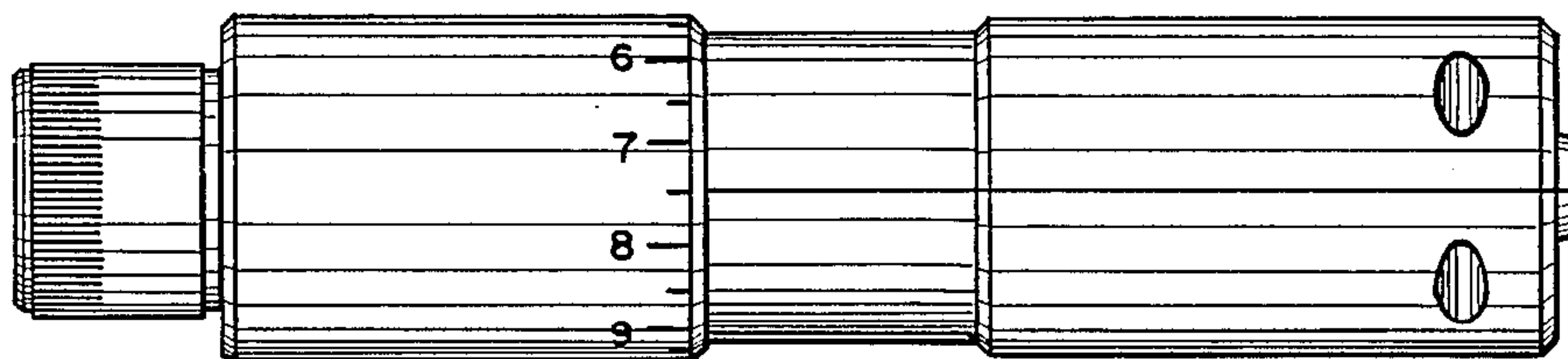




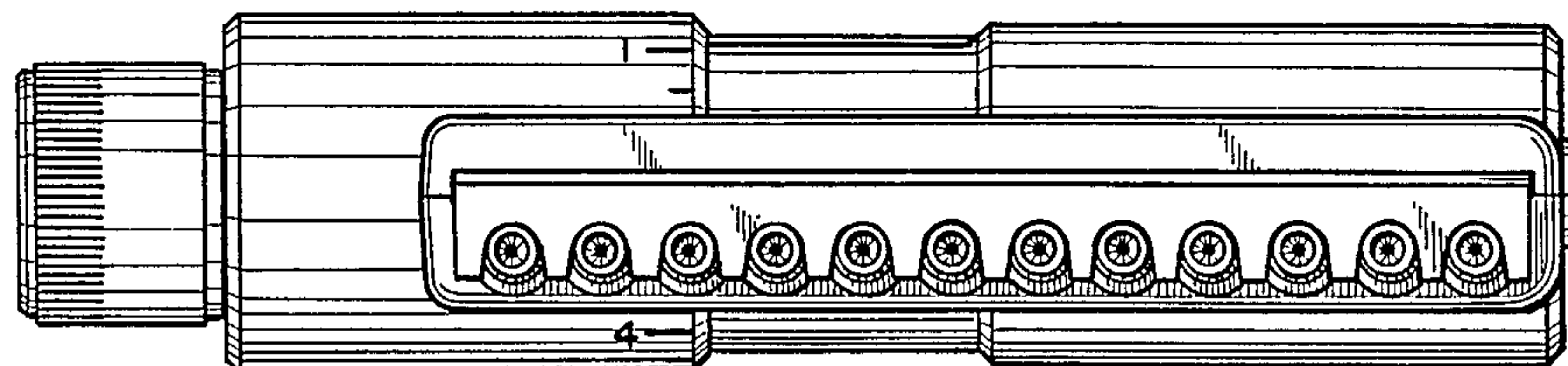
*Fig. 1*



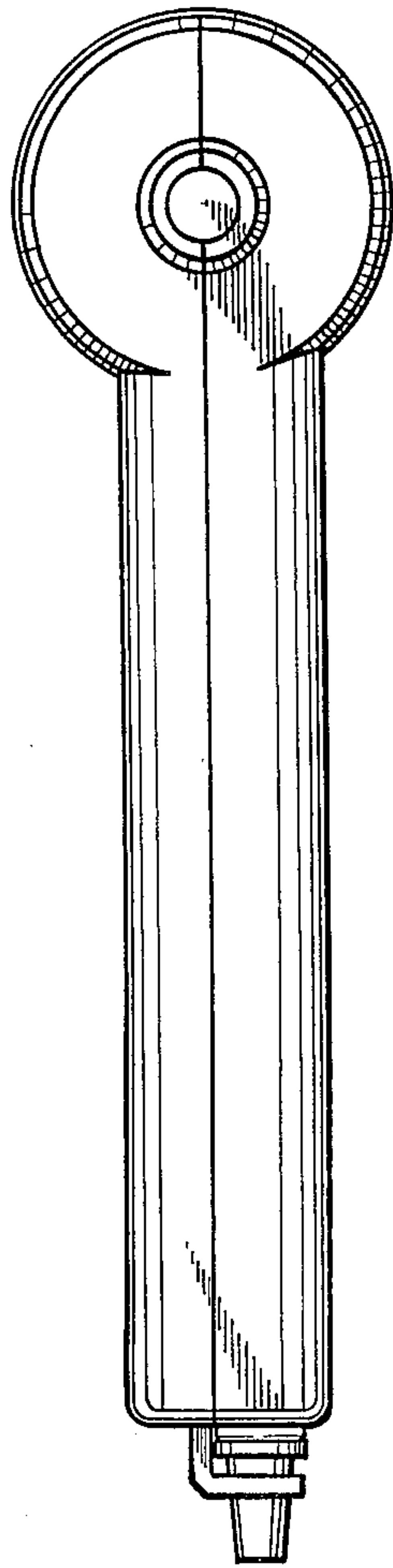
*Fig. 2*



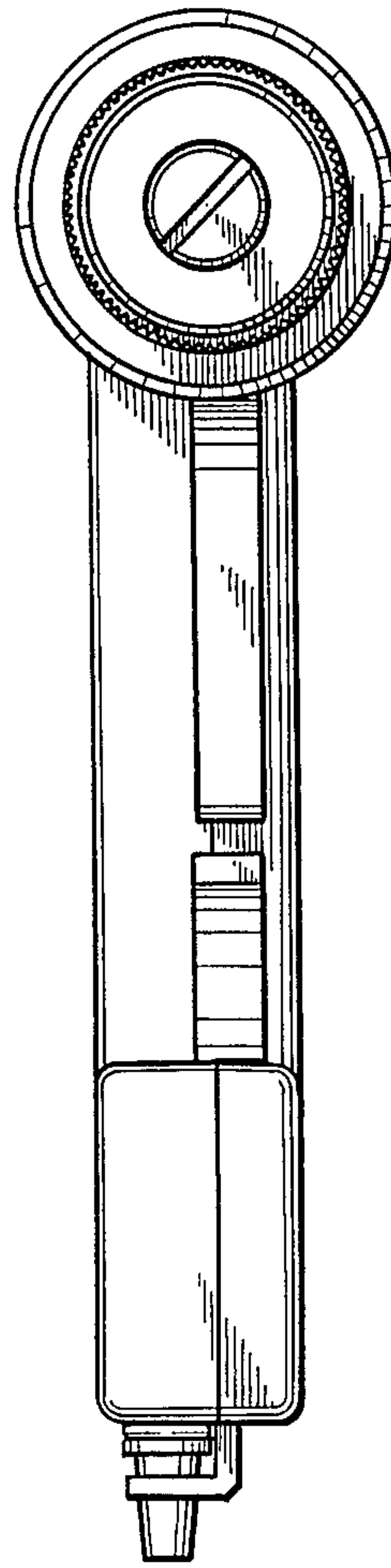
*Fig. 3*

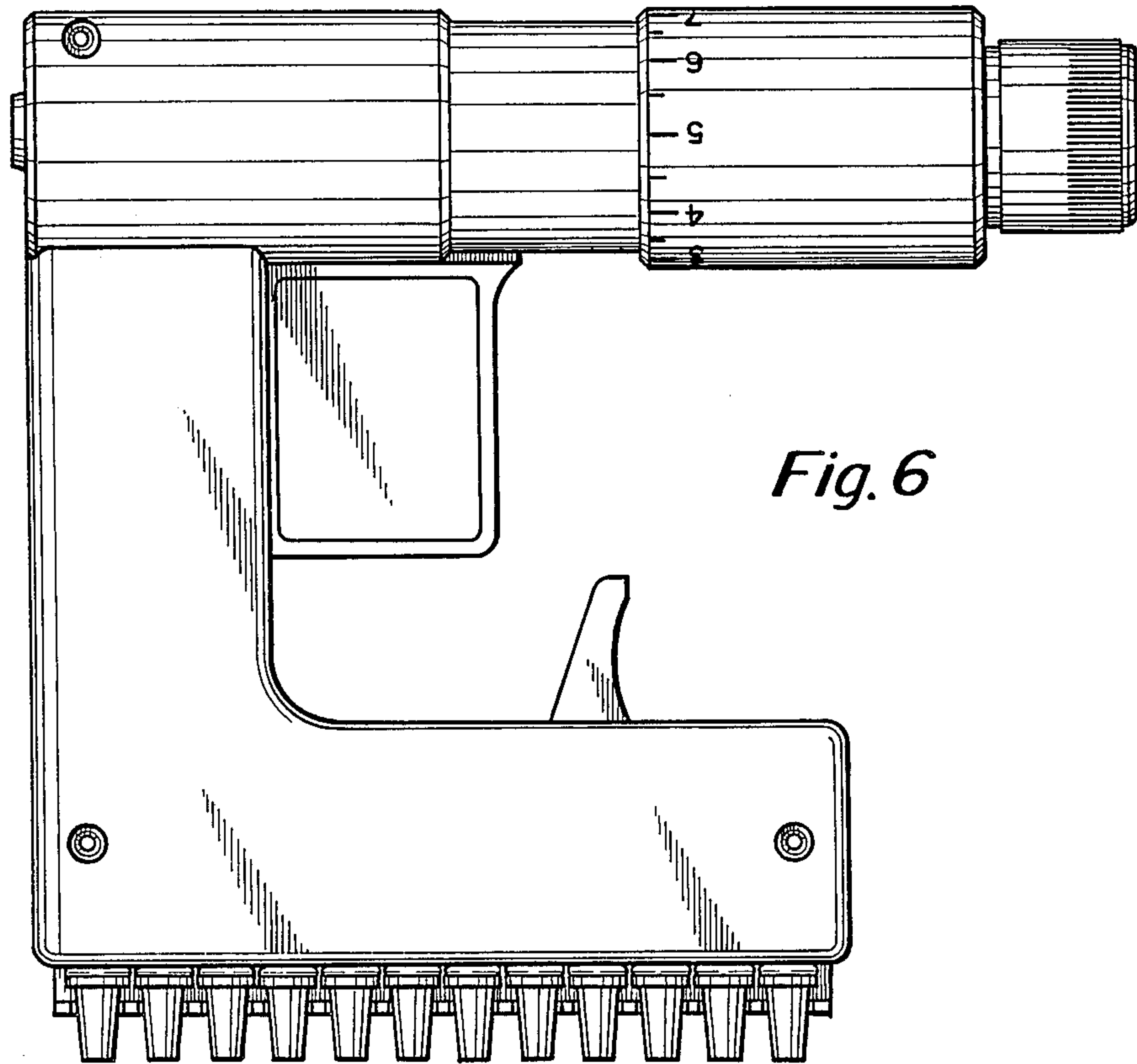


*Fig. 4*



*Fig. 5*





*Fig. 6*