

[54] AIR CONDITIONER

[75] Inventor: Hiroshi Moritani, Osaka, Japan

[73] Assignee: Sharp Corporation, Osaka, Japan

[**] Term: 14 Years

[21] Appl. No.: 125,051

[22] Filed: Nov. 25, 1987

[30] Foreign Application Priority Data

May 29, 1987 [JP] Japan 62-22488

[52] U.S. Cl. D23/353

[58] Field of Search D23/333, 351, 353, 354; 62/262, 263; 98/94.2; 165/55; 312/213, 236

[56] References Cited

U.S. PATENT DOCUMENTS

- D. 267,338 12/1982 Bolton et al. D23/353
- D. 298,647 11/1988 Matsuda D23/353

OTHER PUBLICATIONS

Sell-All Catalogue Co., Room Air Conditioners, Dehumidifiers, and Electric Ranges Catalogue, p. 4, Room

Air Conditioners: E and F, top right and top left side of page.

Mitchell Room Air Conditioner with Expando Mount Advertisement, p. 1, Room Air Conditioner with Expando Mount, top of page.

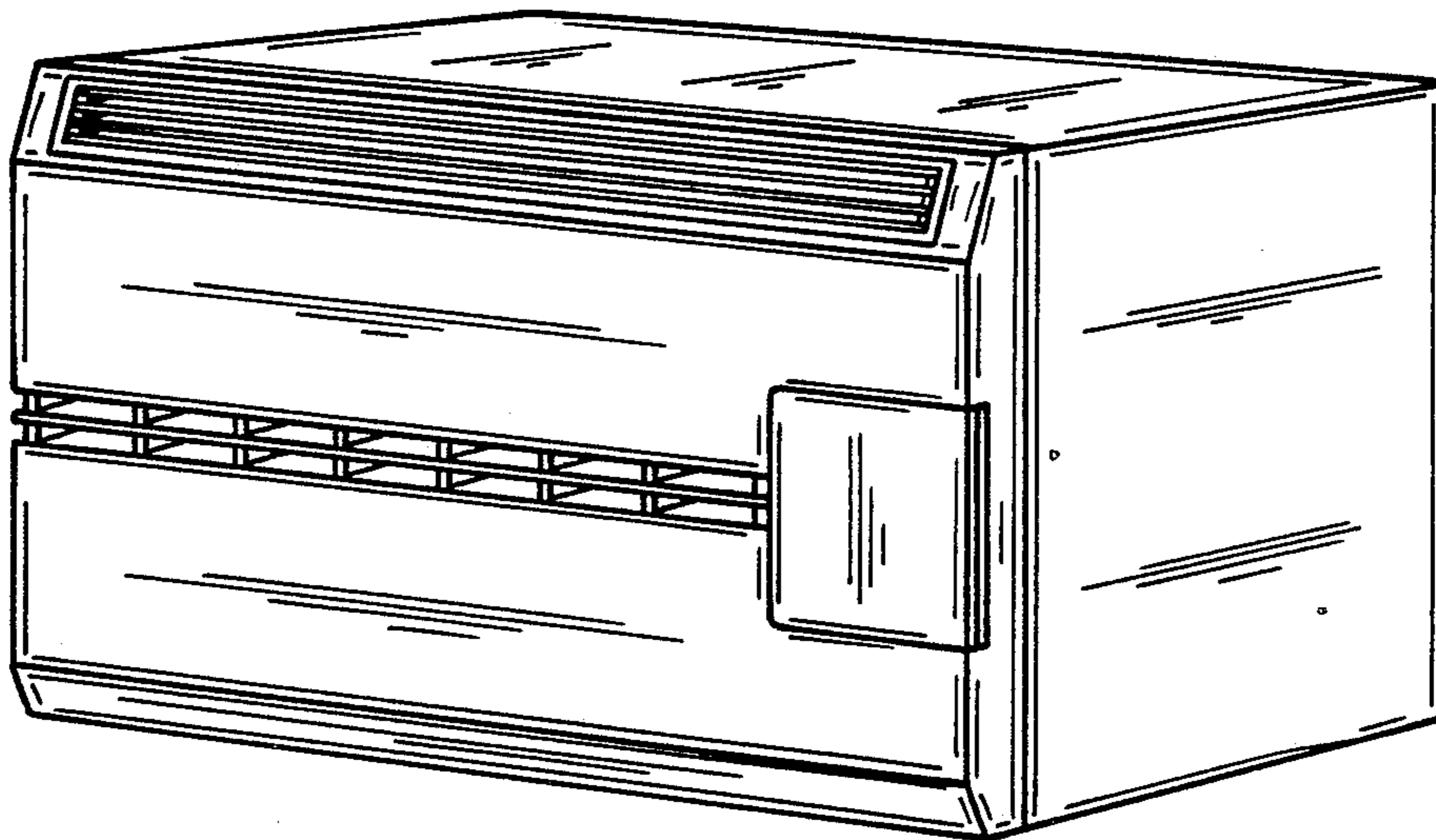
Primary Examiner—James M. Gandy
Assistant Examiner—Lisa Lichtenstein
Attorney, Agent, or Firm—Flehr, Hohbach, Test, Albritton & Herbert

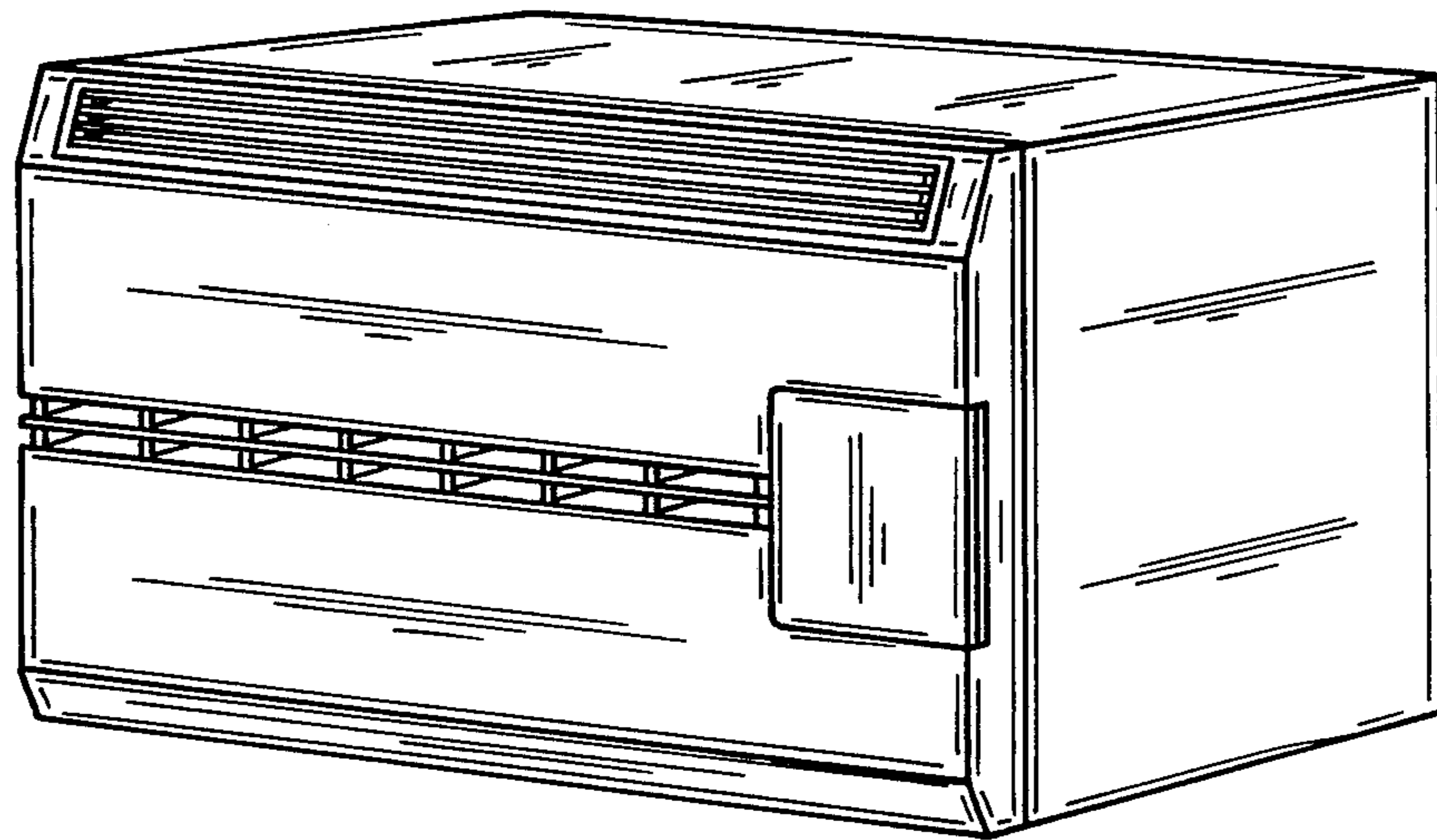
[57] CLAIM

The ornamental design for an air conditioner, as shown.

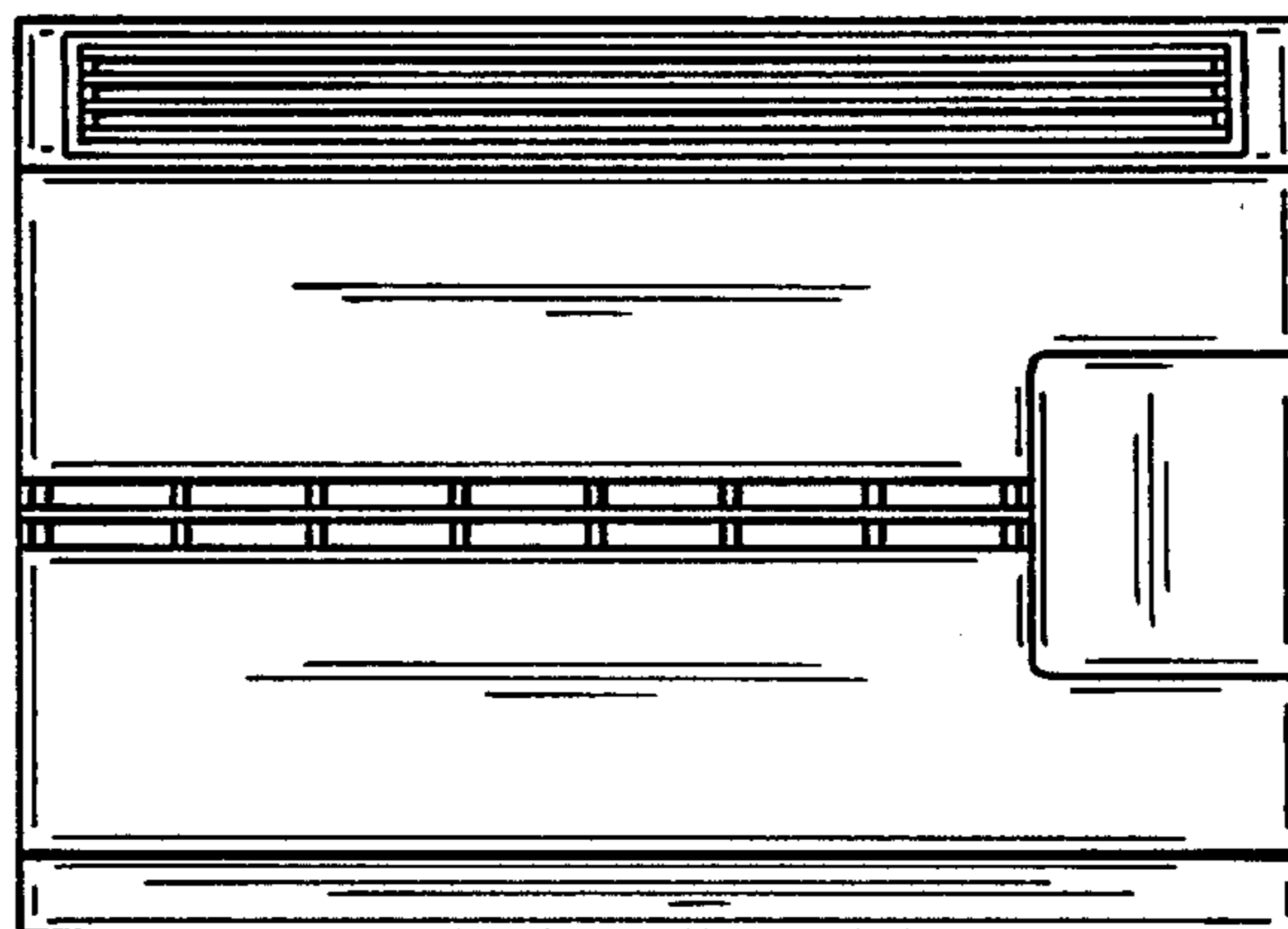
DESCRIPTION

FIG. 1 is a perspective view of the air conditioner showing my new design;
FIG. 2 is a front elevational view thereof;
FIG. 3 is a rear elevational view thereof;
FIG. 4 is a top plan view thereof;
FIG. 5 is a bottom plan view thereof;
FIG. 6 is a right side elevational view thereof; and
FIG. 7 is a left side elevational view thereof.

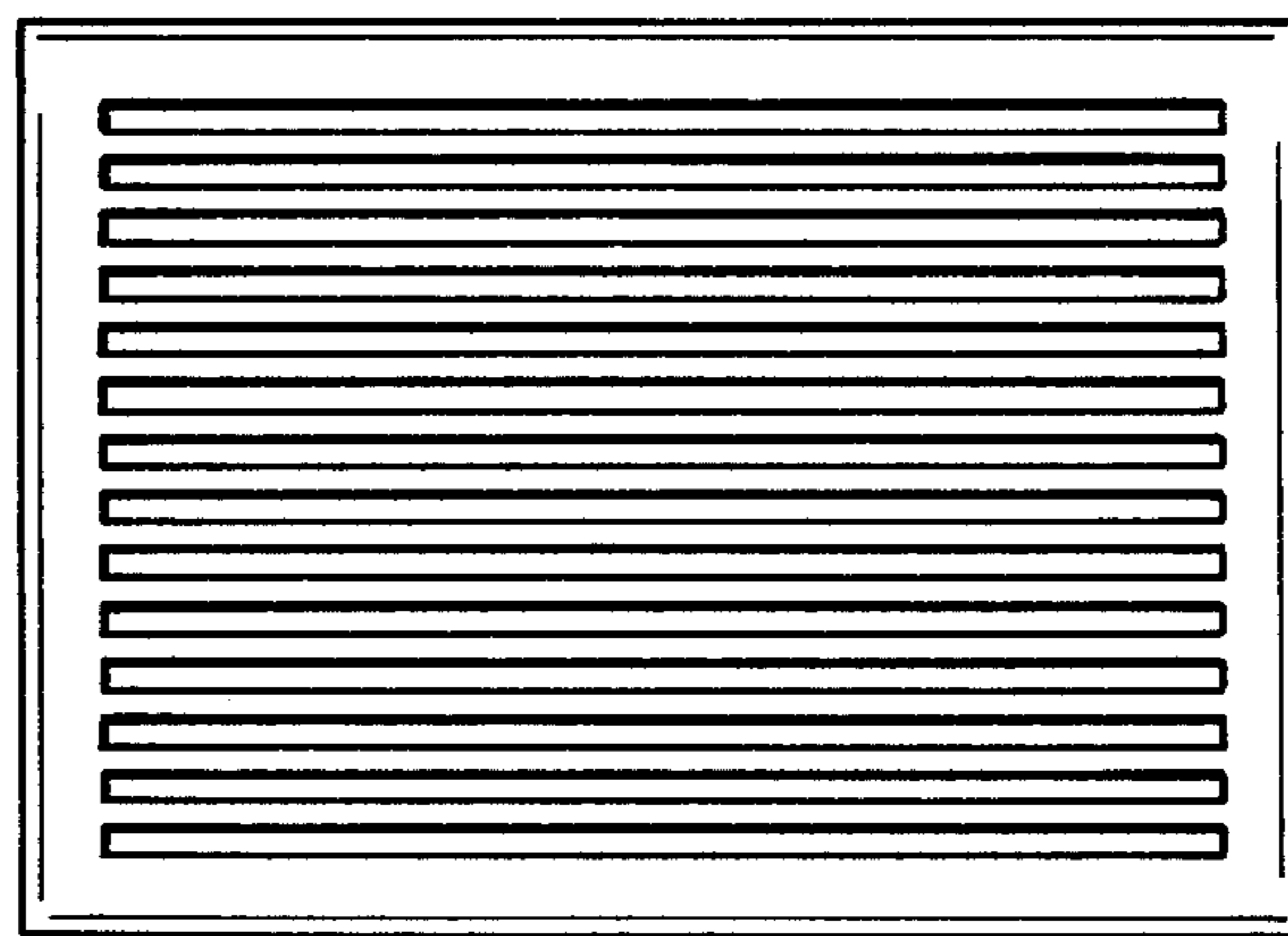




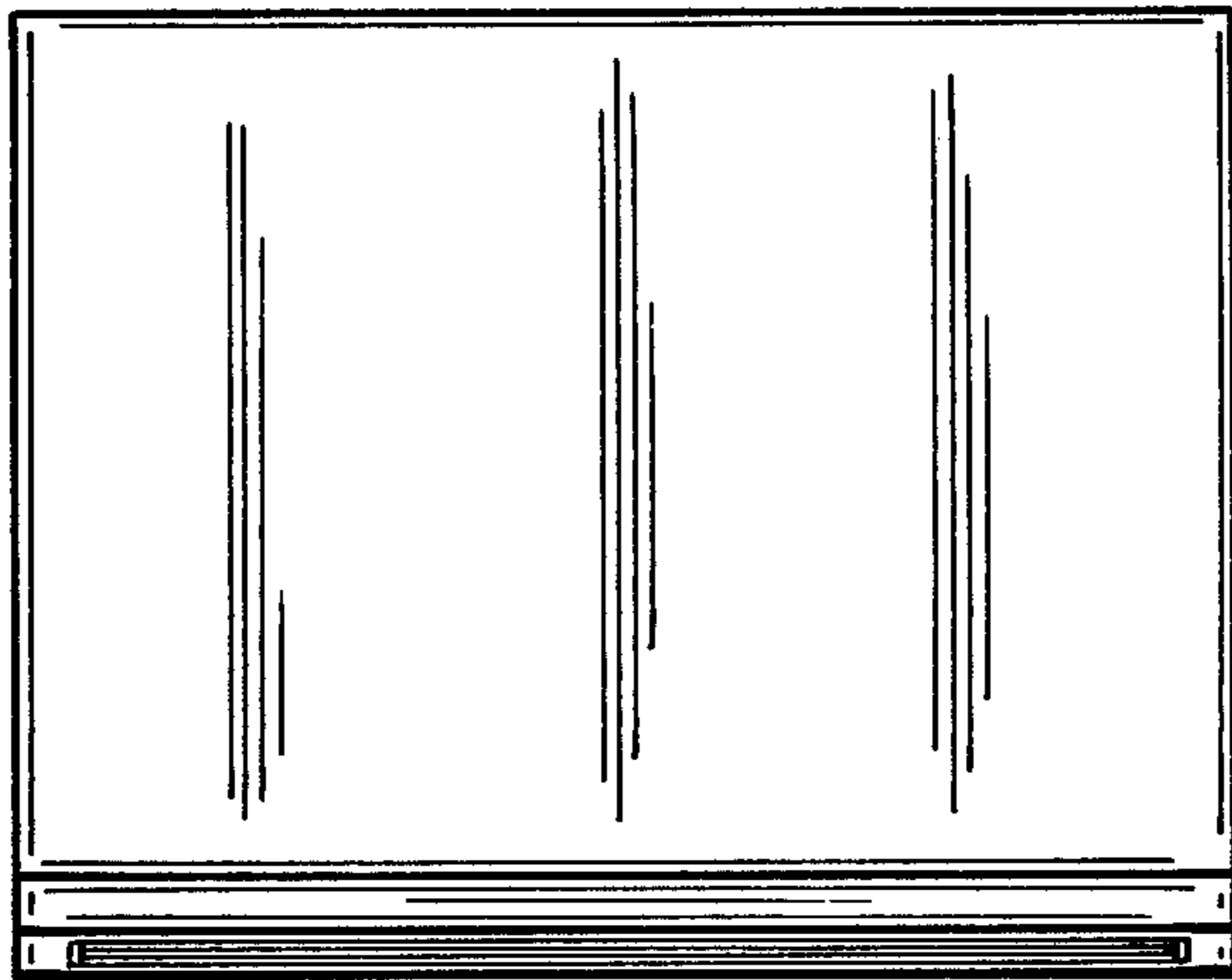
FIG_1



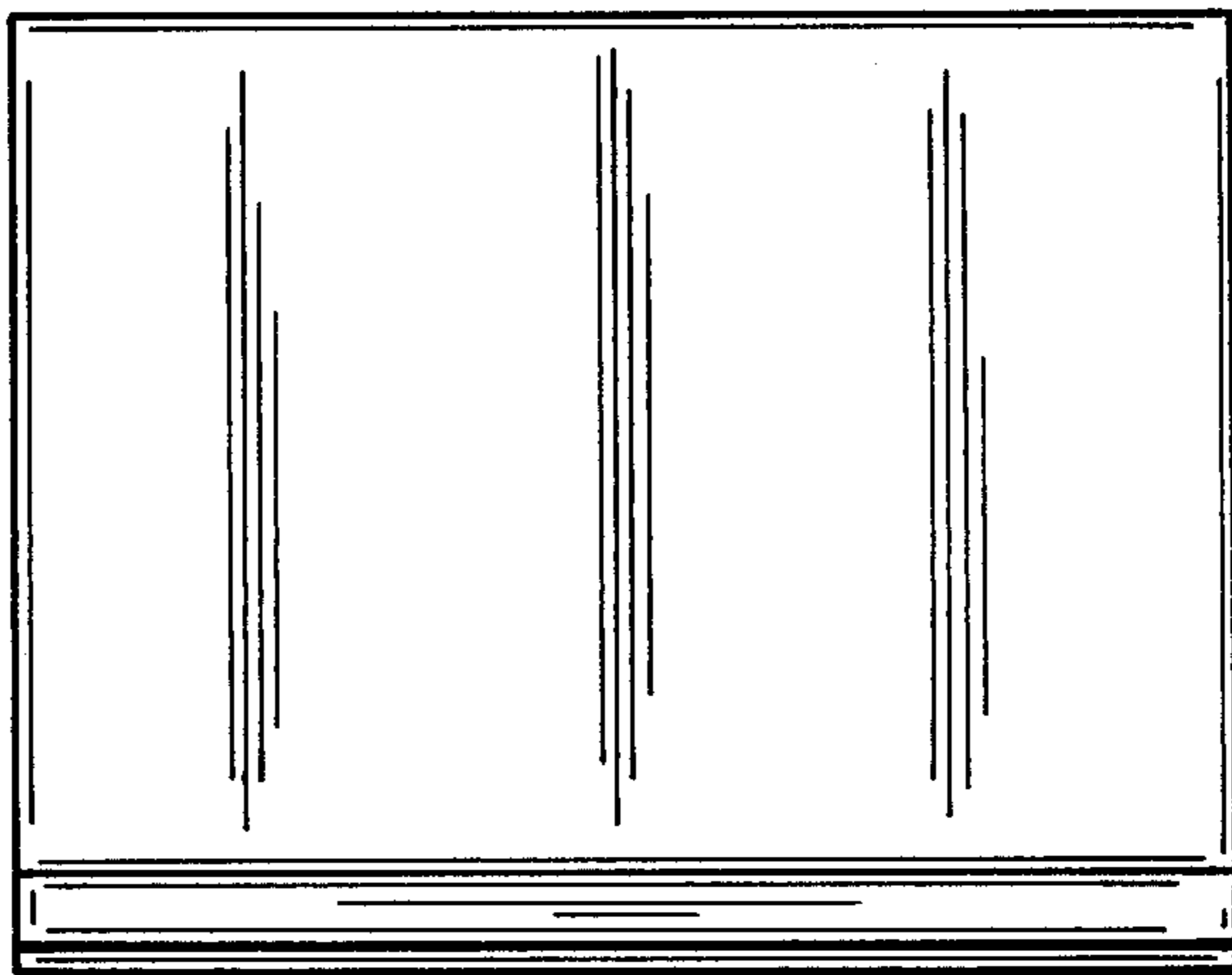
FIG_2



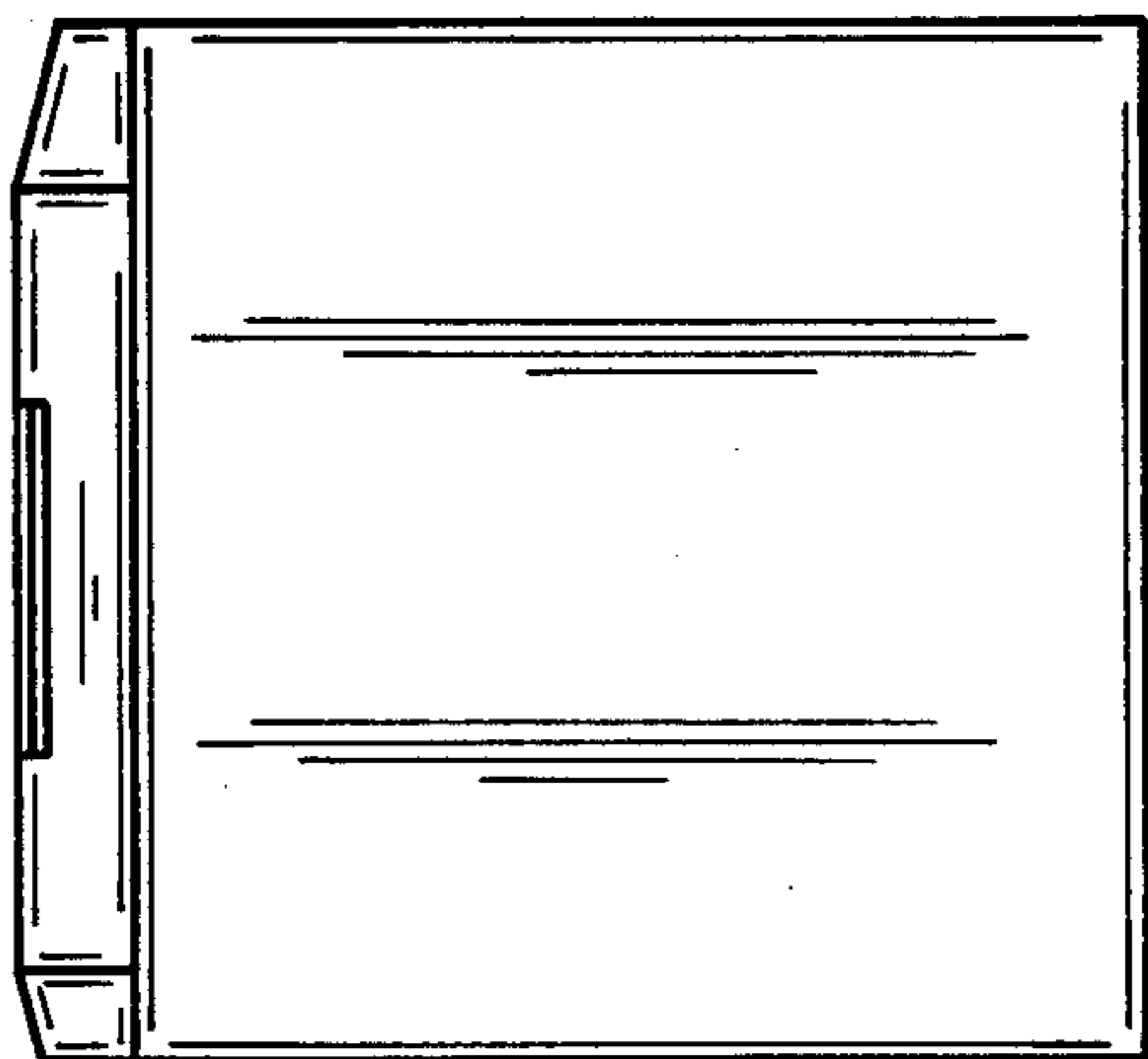
FIG_3



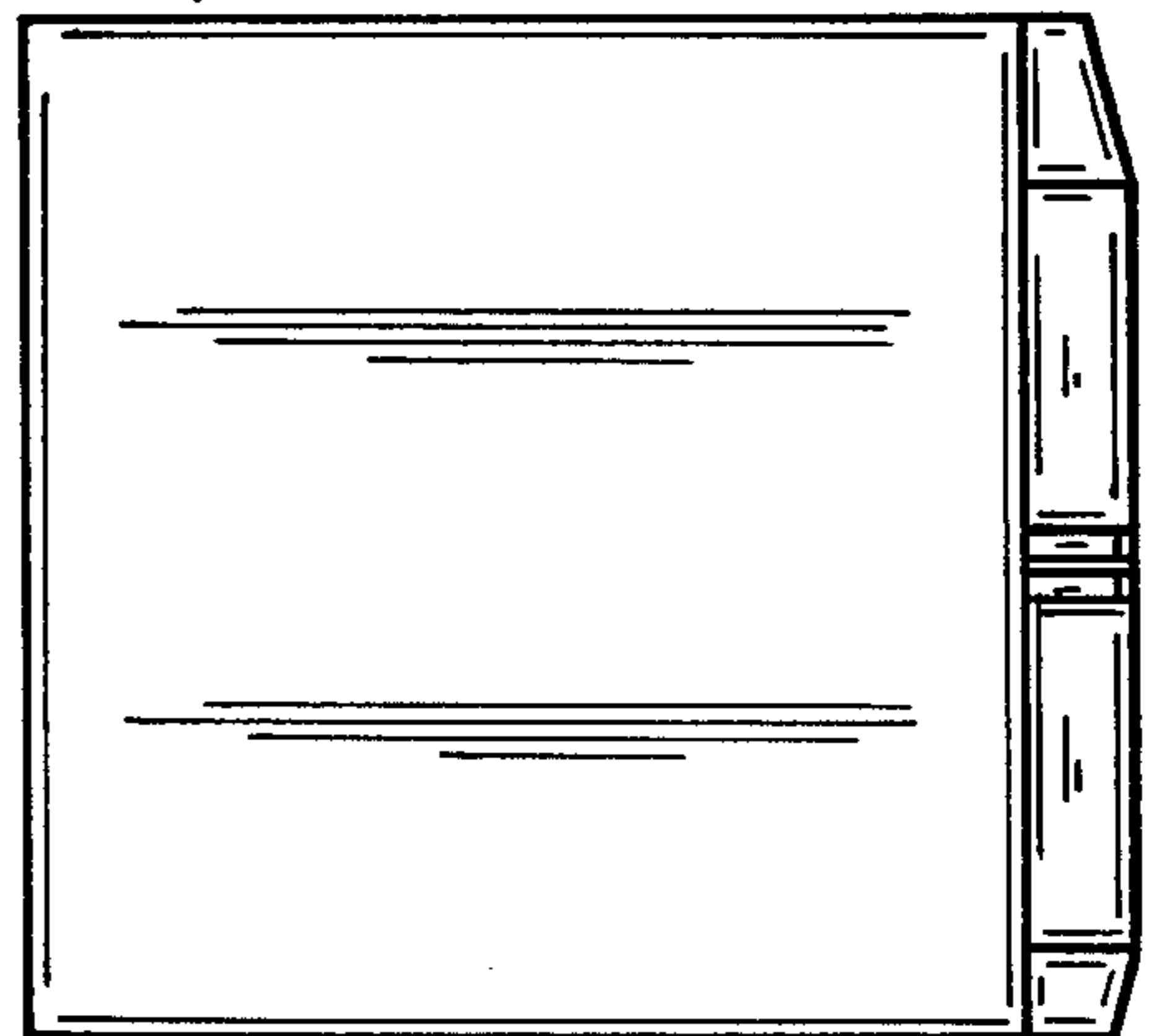
FIG_4



FIG_5



FIG_6



FIG_7