

[54] COMBINED WATER CONTROL HANDLES AND ESCUTCHEON

[75] Inventor: Bethany Lathrop, Los Angeles, Calif.

[73] Assignee: Aloys F. Dornbracht GmbH & Co. KG, Muhle, Fed. Rep. of Germany

[**] Term: 14 Years

[21] Appl. No.: 823,376

[22] Filed: Jan. 28, 1986

[30] Foreign Application Priority Data

Oct. 9, 1985 [FR] France 85 4715

[52] U.S. Cl. D23/254

[58] Field of Search D23/238-243, D23/255-257; 4/191, 192; 137/603, 606, 801

[56] References Cited

U.S. PATENT DOCUMENTS

- D. 186,422 10/1959 Kohler D23/254
- D. 203,795 2/1966 Harvey D23/254
- D. 271,705 12/1983 Fabian D23/254
- D. 272,082 1/1984 Fabian D23/254
- D. 291,239 8/1987 Haug et al. D23/254 X
- D. 293,465 12/1987 Bengtsson D23/257

Primary Examiner—James R. Largen

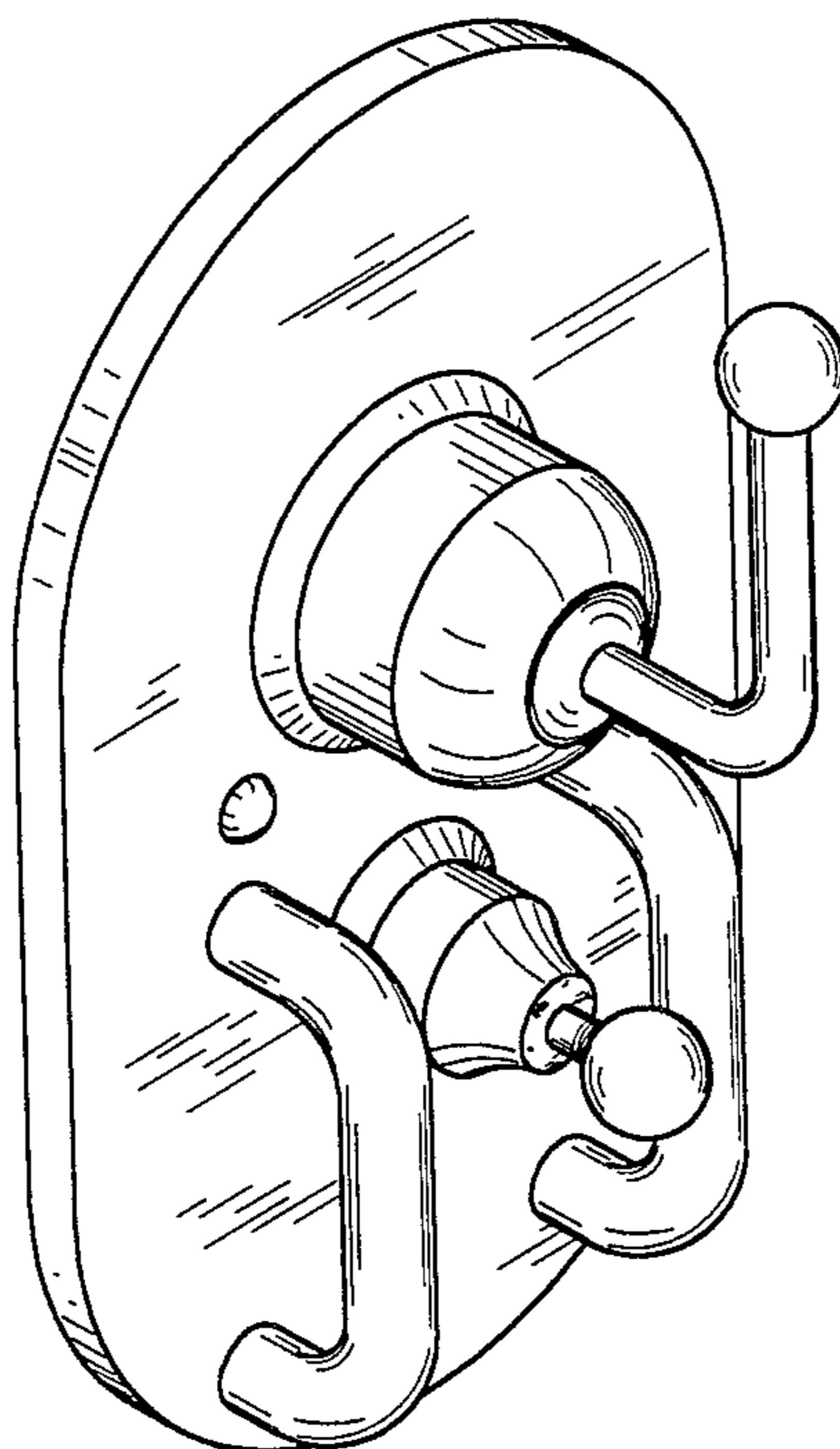
Attorney, Agent, or Firm—Tarolli, Sundheim & Covell

[57] CLAIM

The ornamental design for combined water control handles and escutcheon, as shown and described.

DESCRIPTION

FIG. 1—is a perspective view of a combined water control handles escutcheon showing my new design; FIG. 2—is a front elevational view thereof; and FIG. 3—is a right side elevational view thereof in the left side being a mirror image of the right side shown.



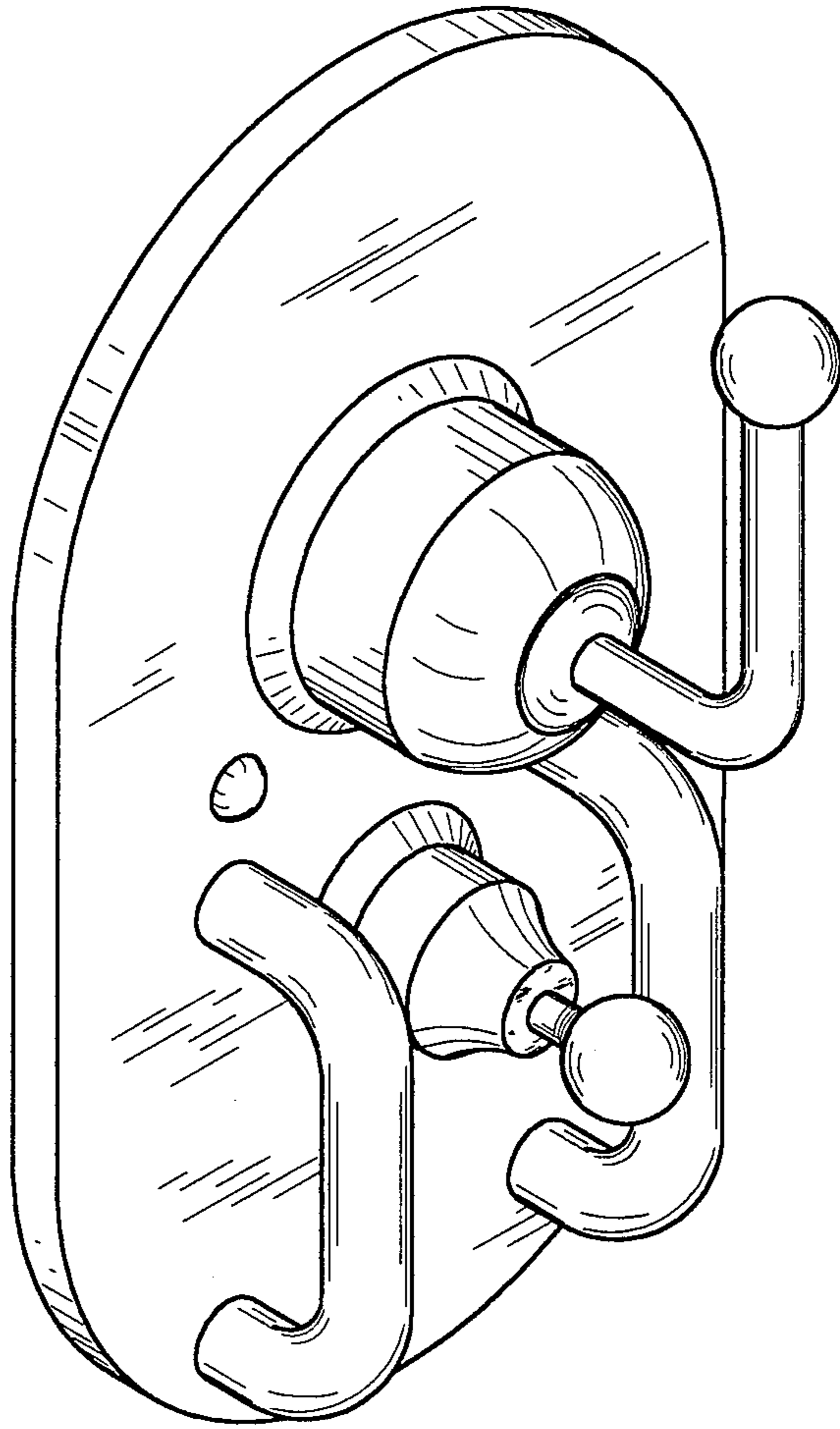


Fig.1

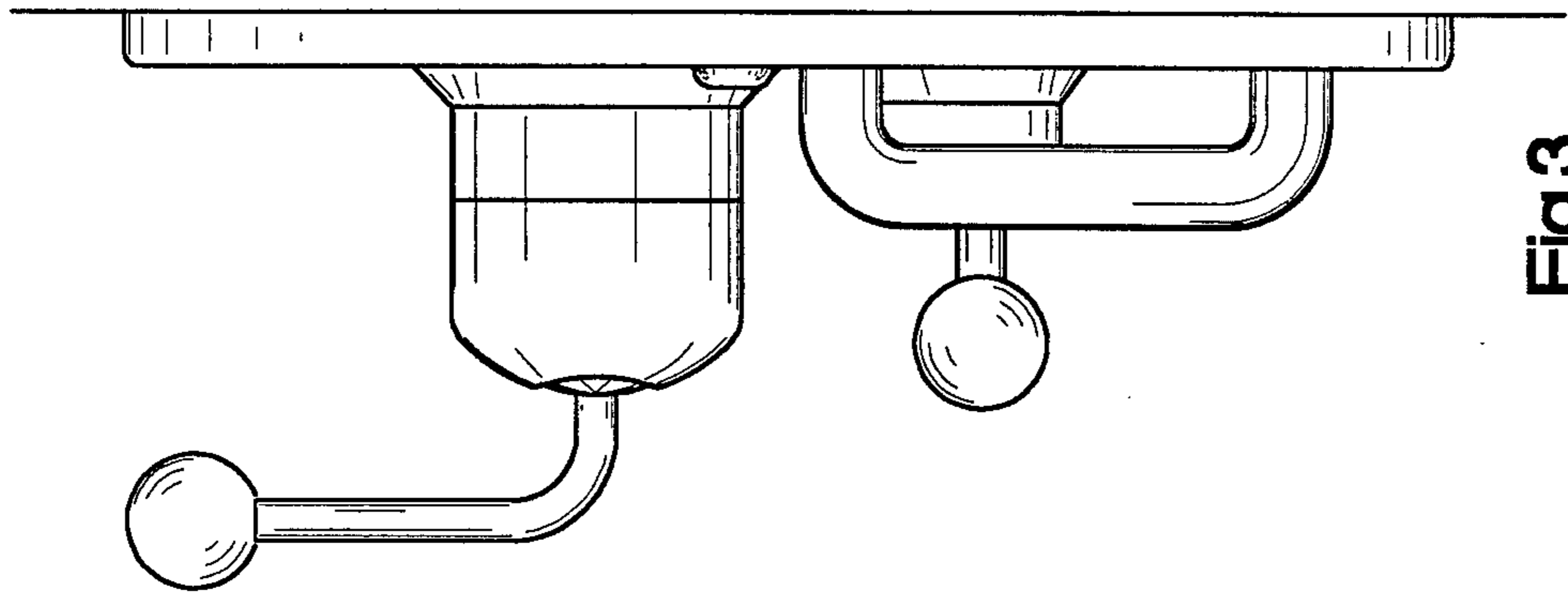


Fig.3

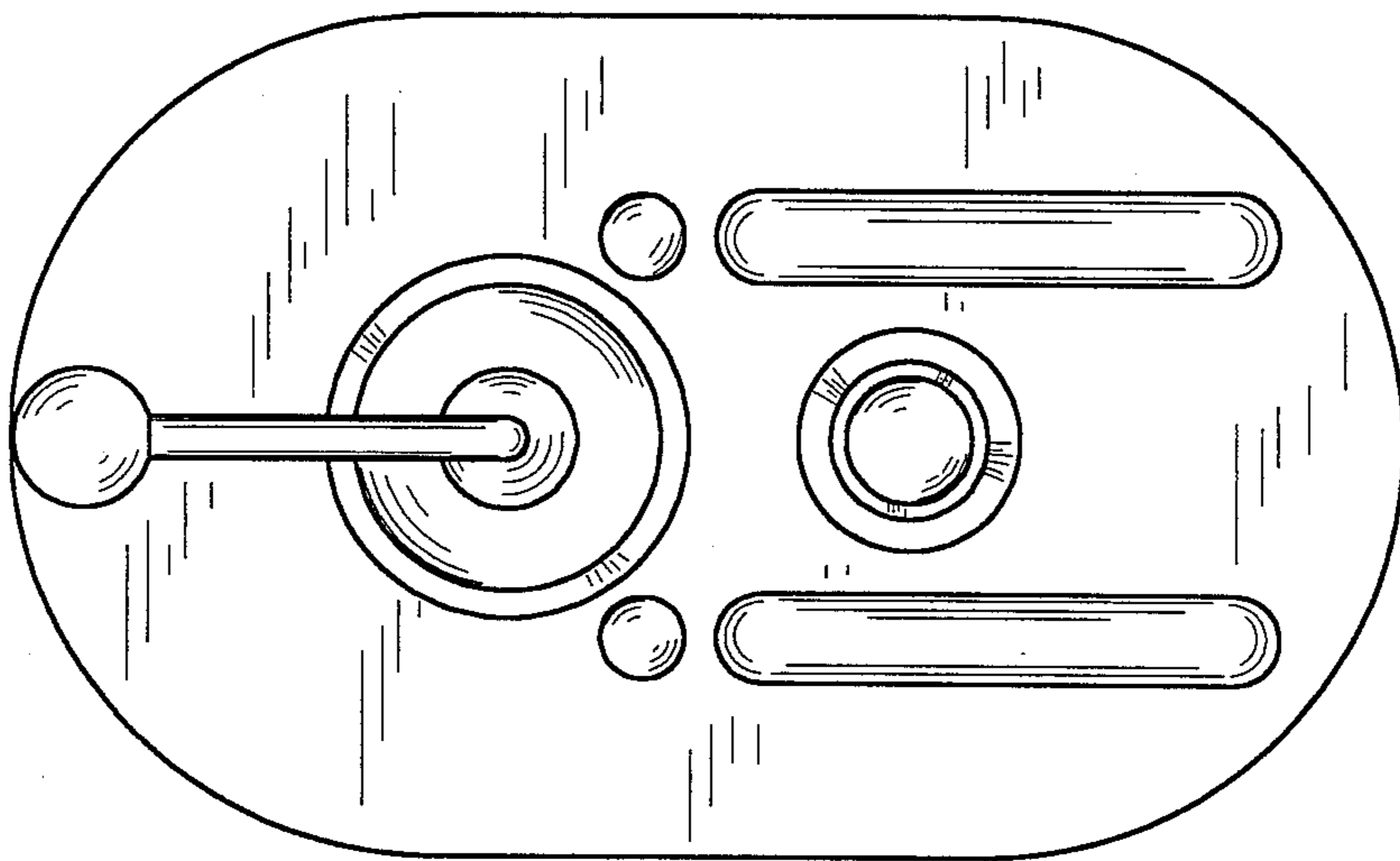


Fig.2