

- [54] PLUMBING FITTING HANDLE
- [75] Inventors: Herbert V. Kohler, Jr., Kohler;
Thomas W. Hillebrand, Janesville,
both of Wis.
- [73] Assignee: Kohler Co., Kohler, Wis.
- [**] Term: 14 Years
- [21] Appl. No.: 1,084
- [22] Filed: Jan. 6, 1987
- [52] U.S. Cl. D23/252
- [58] Field of Search D23/233-254;
D8/300-322; 16/110-127

[56] References Cited

U.S. PATENT DOCUMENTS

D. 290,496 6/1987 Ryan D23/252

OTHER PUBLICATIONS

Auburn Brass, "Onyx 'n Brass Collection".
 Auburn Brass, "The Porcelain 'n Brass Collection".
 Auburn Brass, "Oak 'n Brass Collection", 2021 Lava-
 tory set item.
 One page of a Helvex advertisement showing the Arte-
 sania line, undated.
 Front cover and pp. 19 and 44 from a Sterling "Plumb-
 ing Products Catalog", dated 1984.

A Kallista advertisement, undated, showing the Diplo-
 mat handle bases.
 An American Standard advertisement showing the
 Aquarian II handle, undated.
 Pp. 3-13 of the 1986 Kohler Co. Plumbing Products
 Catalog.
 Cover page of a Broadway Collection advertisement,
 dated 1983; pp. 12, 13, 14 and 15 of a Harden catalog,
 undated.
 Artistic Brass advertisement dated Jun. 1985, showing
 the 560-L and 570-L.

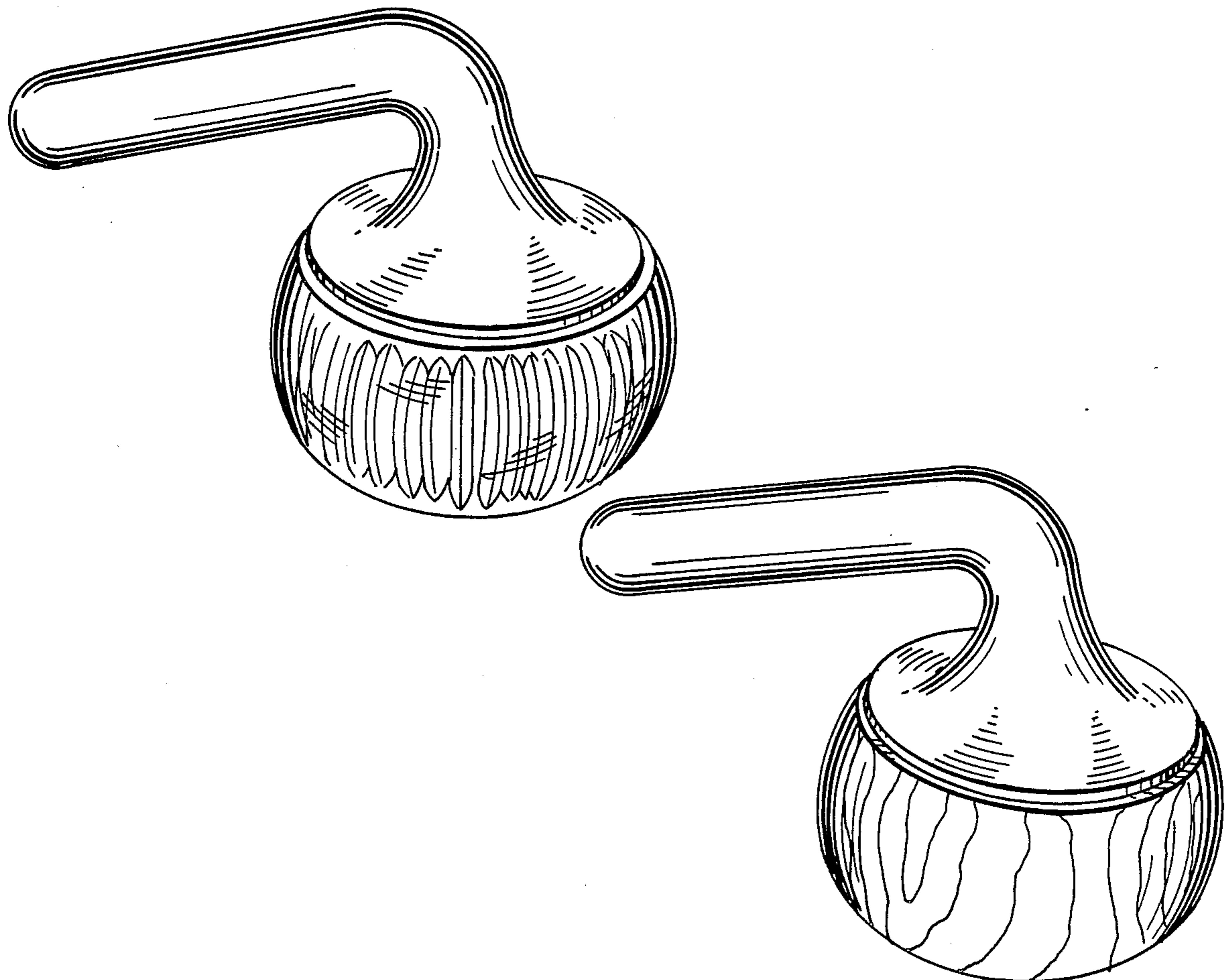
Primary Examiner—James R. Largen
 Attorney, Agent, or Firm—Quarles & Brady

[57] CLAIM

The ornamental design for a plumbing fitting handle, as shown and described.

DESCRIPTION

FIG. 1 is a top perspective view of a plumbing fitting handle showing my new design;
 FIG. 2 is a front elevational view thereof;
 FIG. 3 is a left side elevational view thereof;
 FIG. 4 is a right side elevational view thereof;
 FIG. 5 is a top plan view thereof;
 FIG. 6 is a bottom plan view thereof;
 FIG. 7 is a cross sectional view taken along line 7—7 of FIG. 2; and
 FIG. 8 is a top perspective view of a modified form of the plumbing fitting handle shown in FIG. 1.



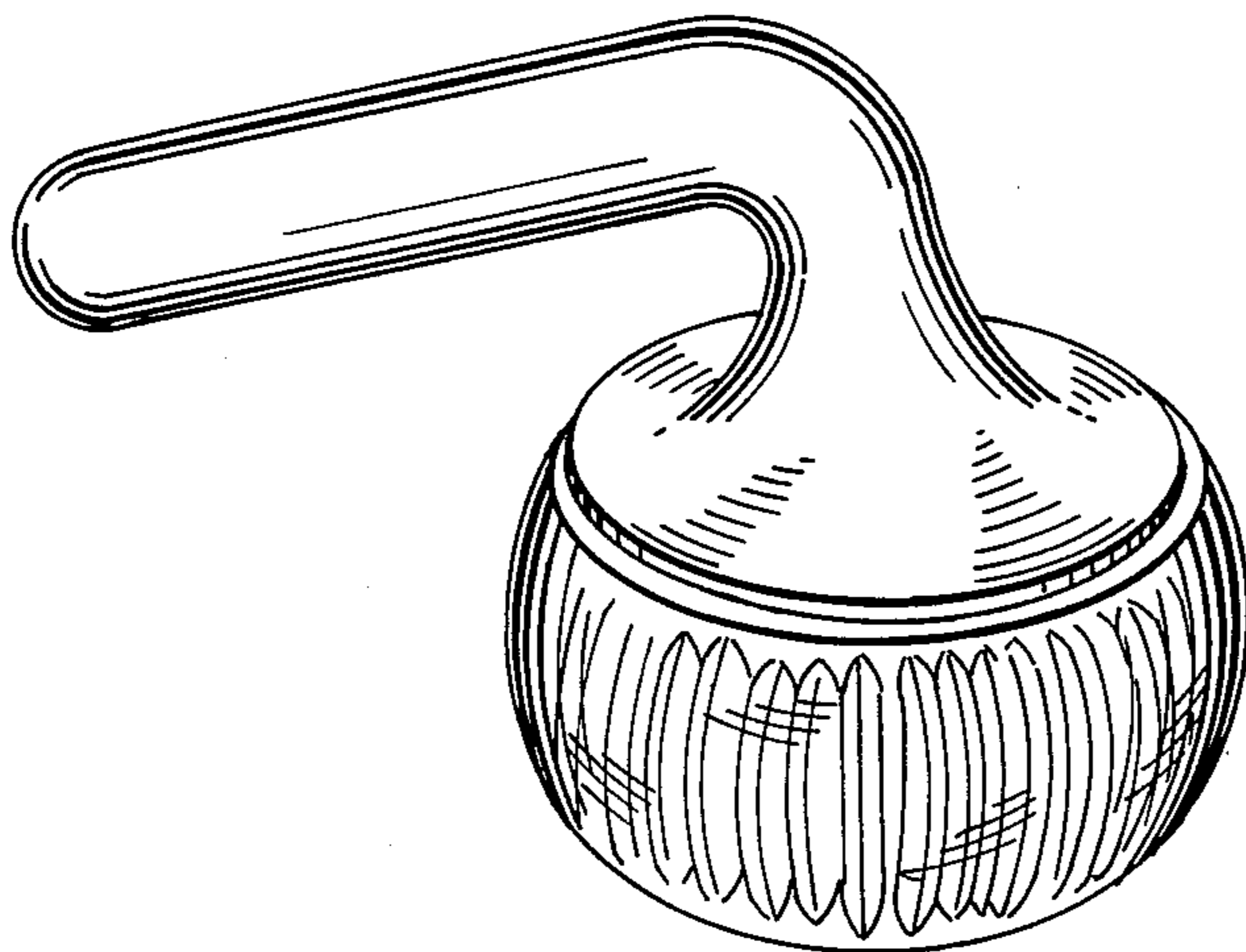


FIG. 1

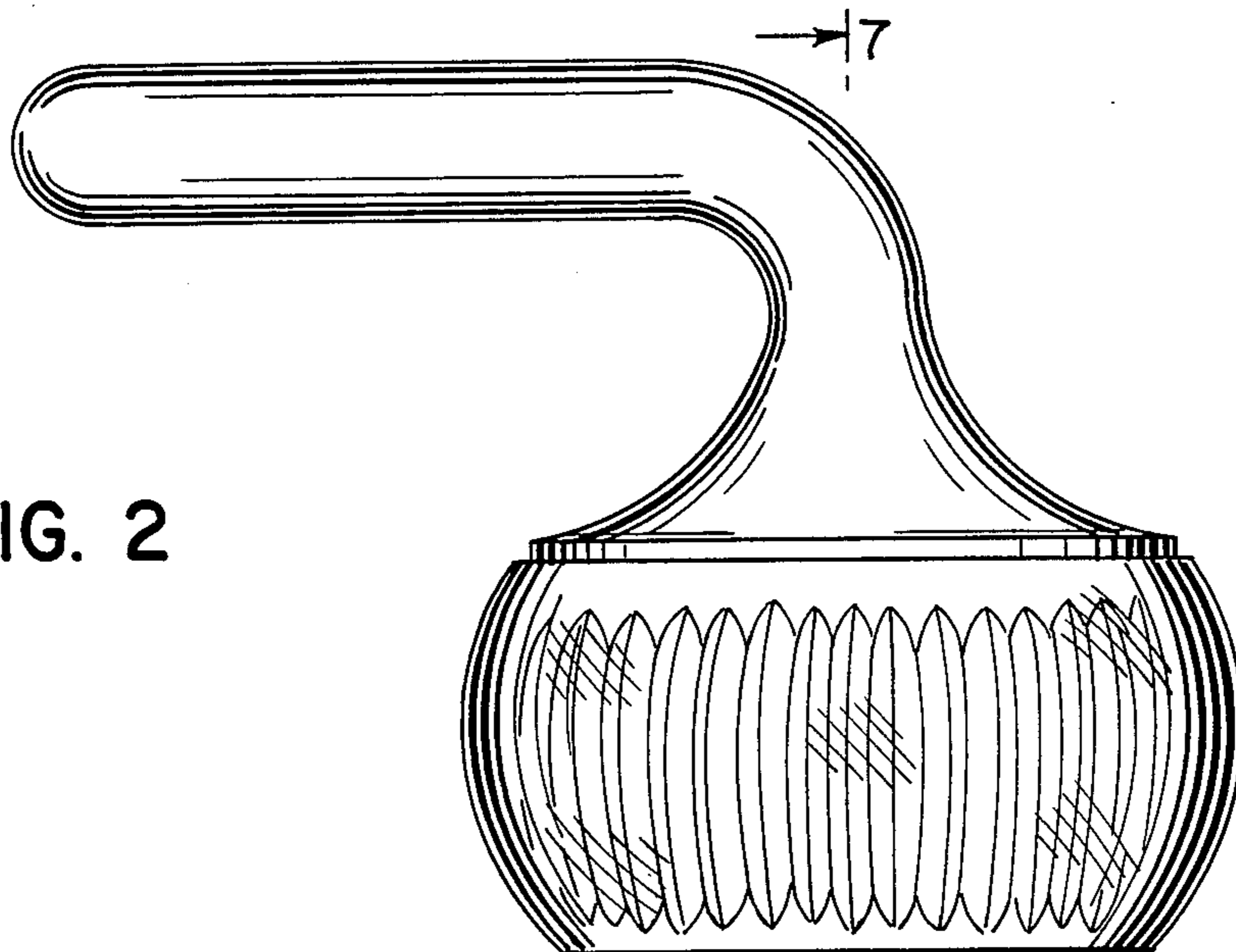


FIG. 2

FIG. 3

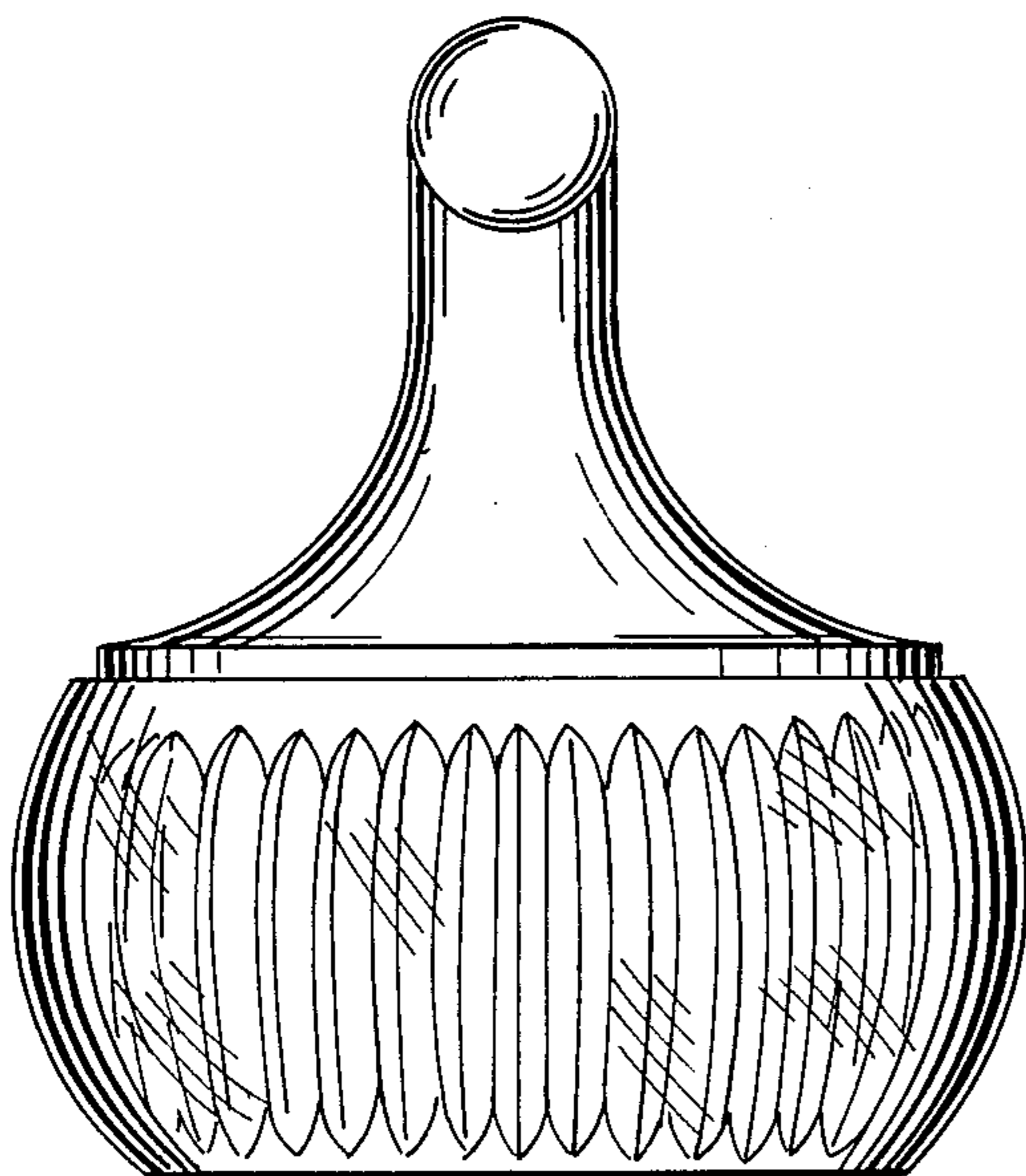
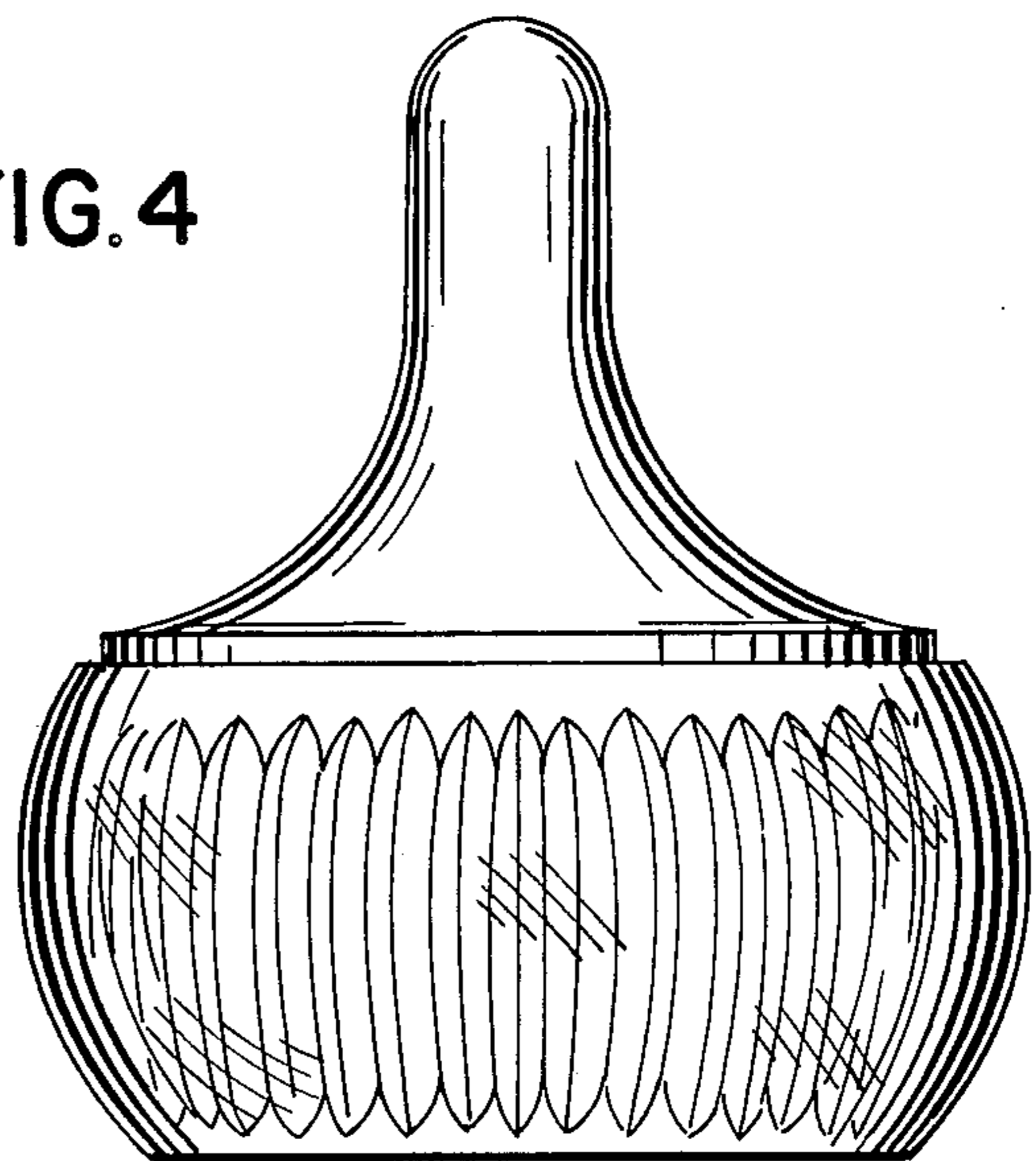


FIG. 4



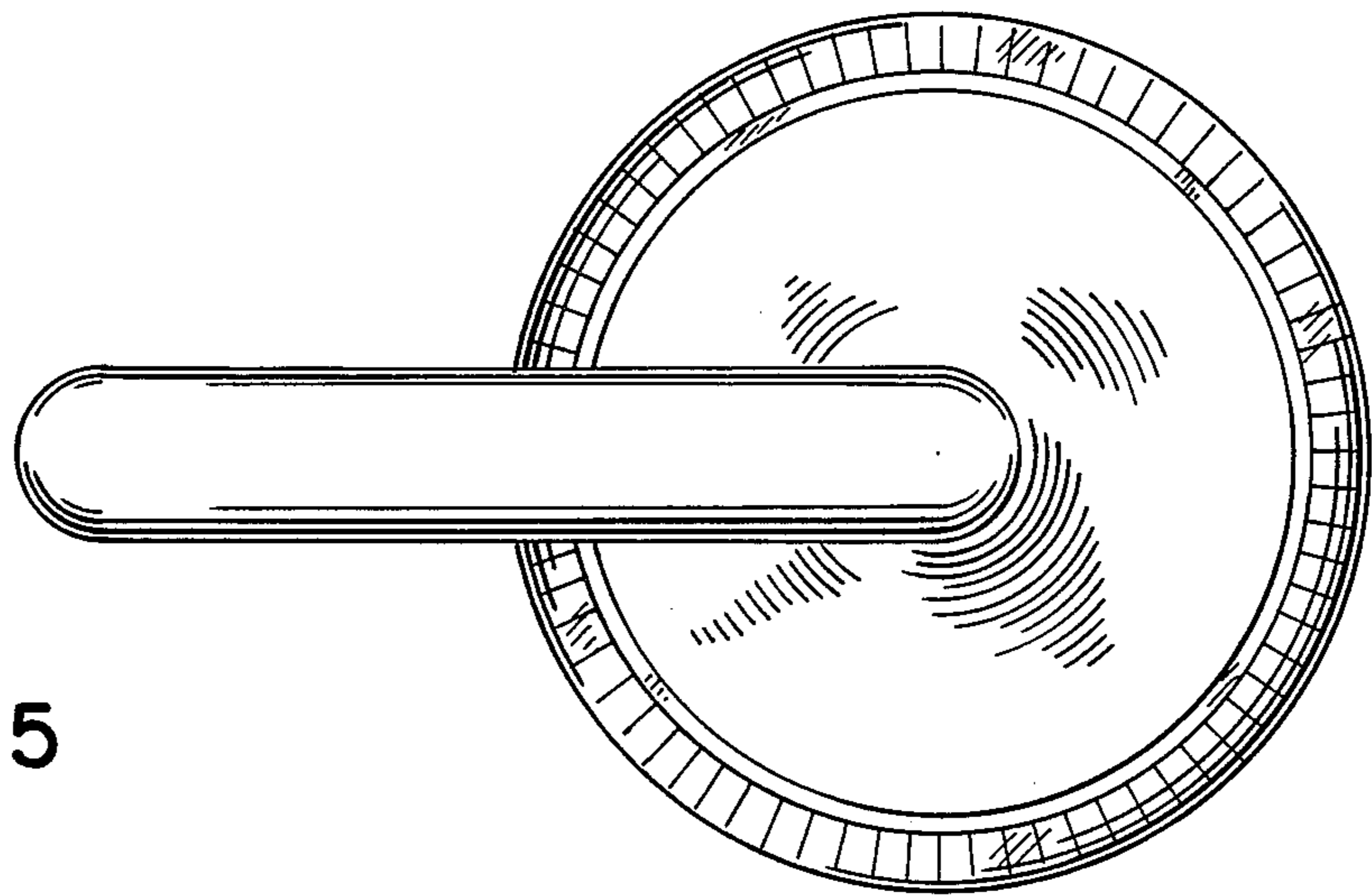


FIG. 5

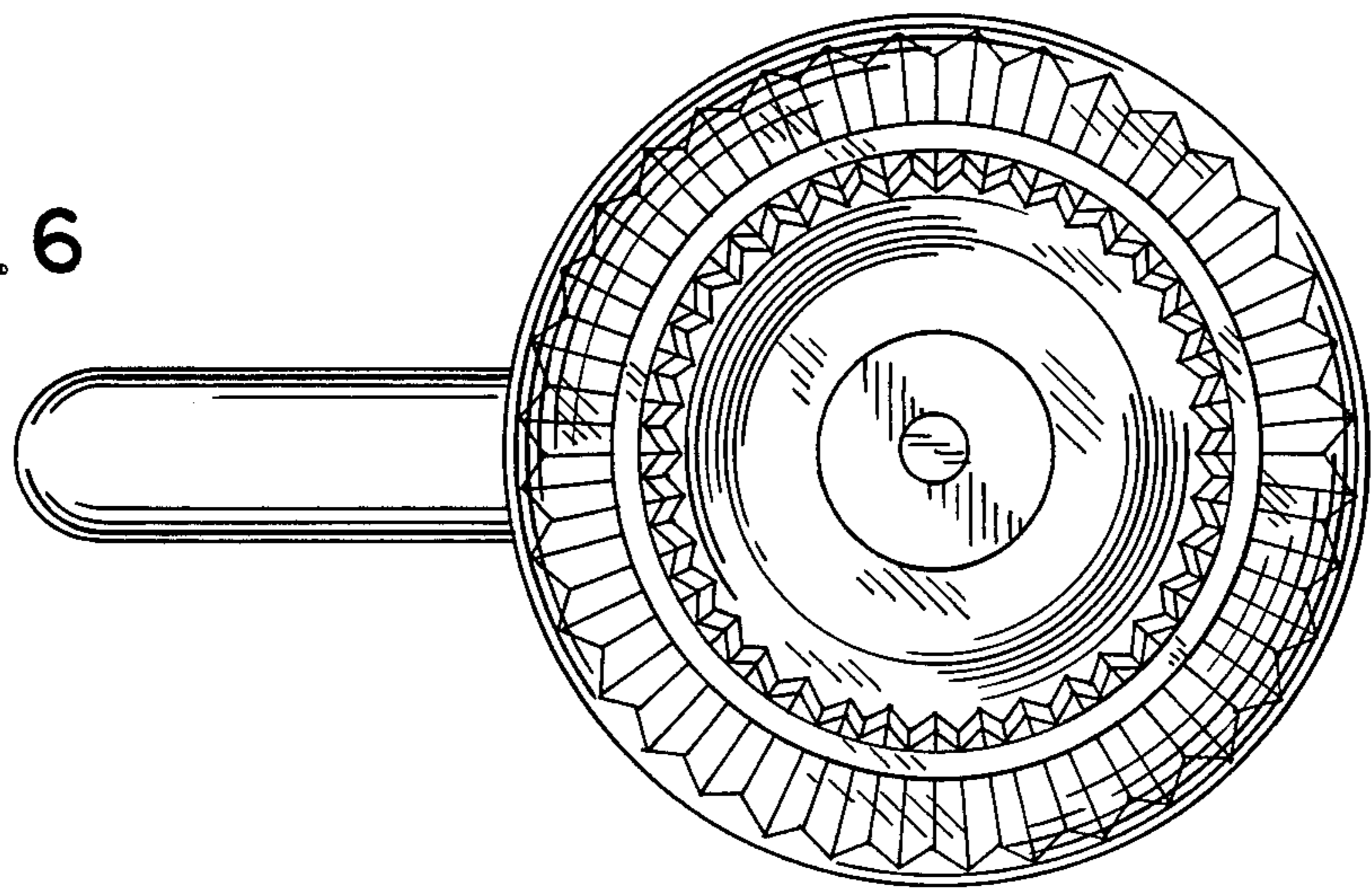


FIG. 6

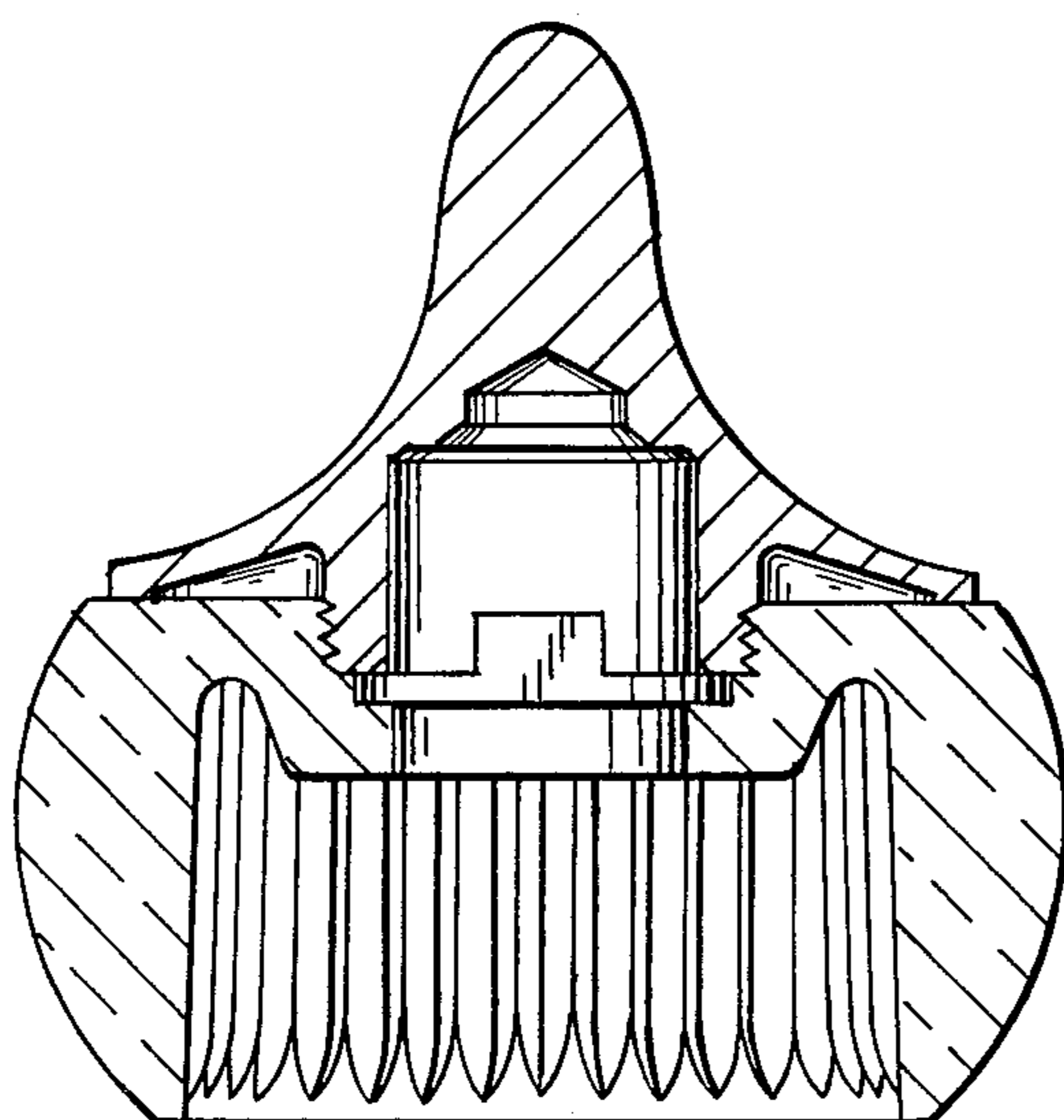


FIG. 7

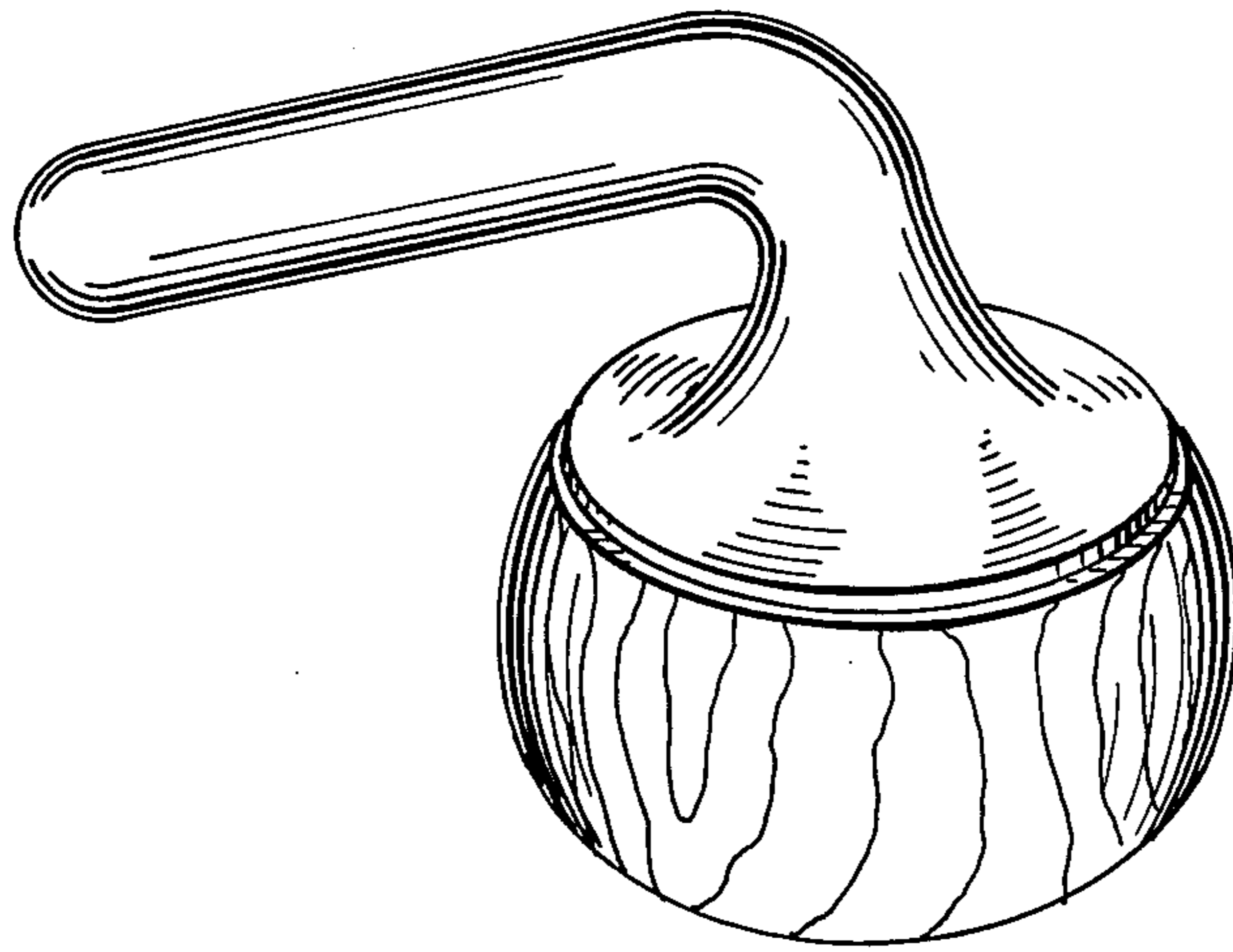


FIG. 8