

[54] WATER INJECTING GUN OR SIMILAR ARTICLE

D. 270,368 8/1983 Grime D23/225
D. 291,113 7/1987 Bauer D23/226
D. 292,133 9/1987 Proctor et al. D23/225

[75] Inventor: Aqee Kao, Keelung, Taiwan

Primary Examiner—Charles A. Rademaker
Attorney, Agent, or Firm—Ladas & Parry

[73] Assignee: Hung Mei Brush Co., Ltd., Keelung, Taiwan

[**] Term: 14 Years

[57] CLAIM

[21] Appl. No.: 43,439

The ornamental design for a water injecting gun or similar article, as shown and described.

[22] Filed: Apr. 28, 1987

DESCRIPTION

[52] U.S. Cl. D23/226; D21/145

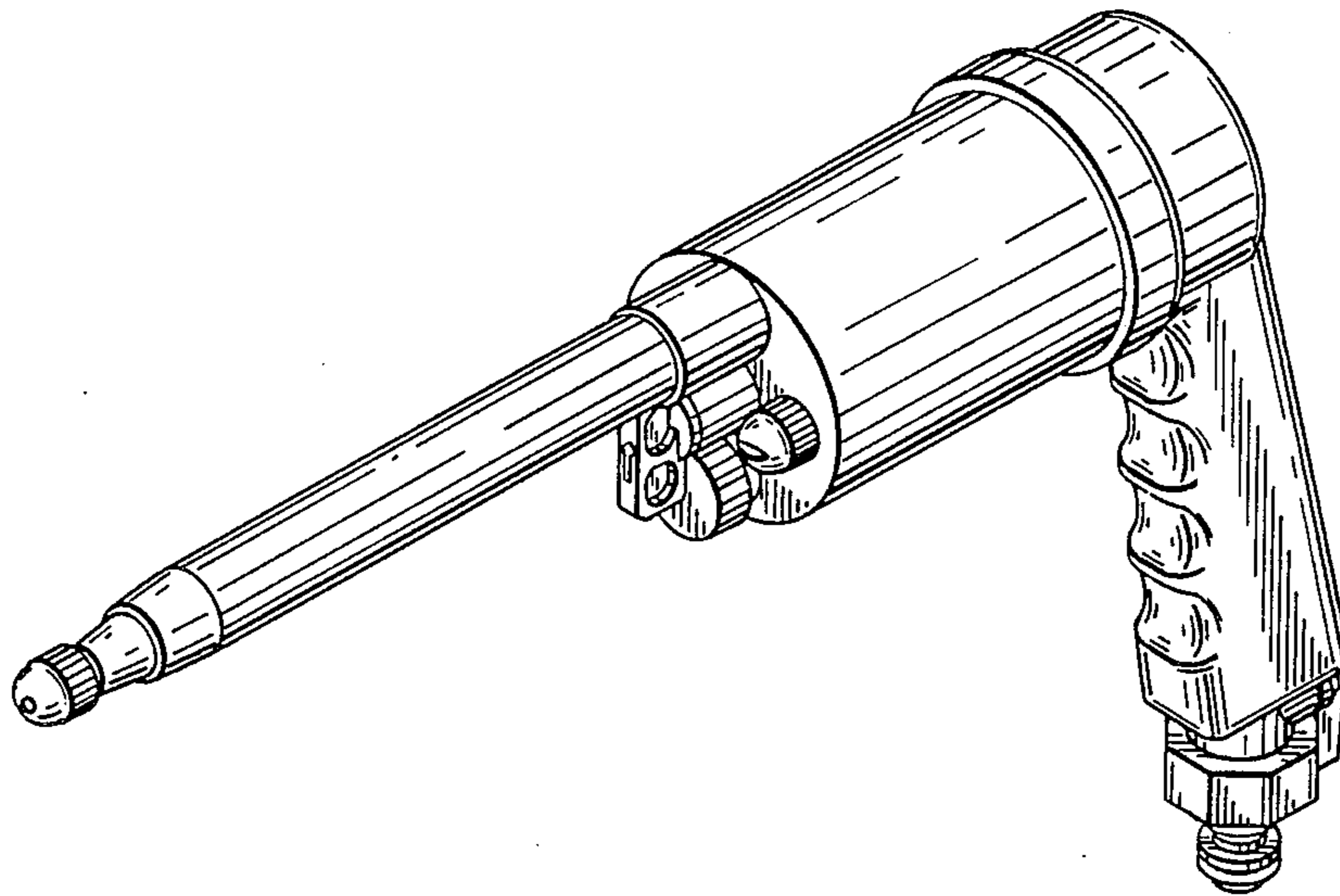
[58] Field of Search D21/145, 146, 147;
D22/103, 104, 223-224; 446/473, 401, 15, 18;
124/56; 42/54-58

FIG. 1 is a right side elevational view of a water injecting gun or similar article showing my new design; FIG. 2 is a left side elevational view thereof; FIG. 3 is a front elevational view thereof; FIG. 4 is a rear elevational view thereof; FIG. 5 is a top plan view thereof; FIG. 6 is a bottom plan view thereof; and FIG. 7 is a perspective front view thereof.

[56] References Cited

U.S. PATENT DOCUMENTS

D. 203,349 12/1965 Gross D21/147



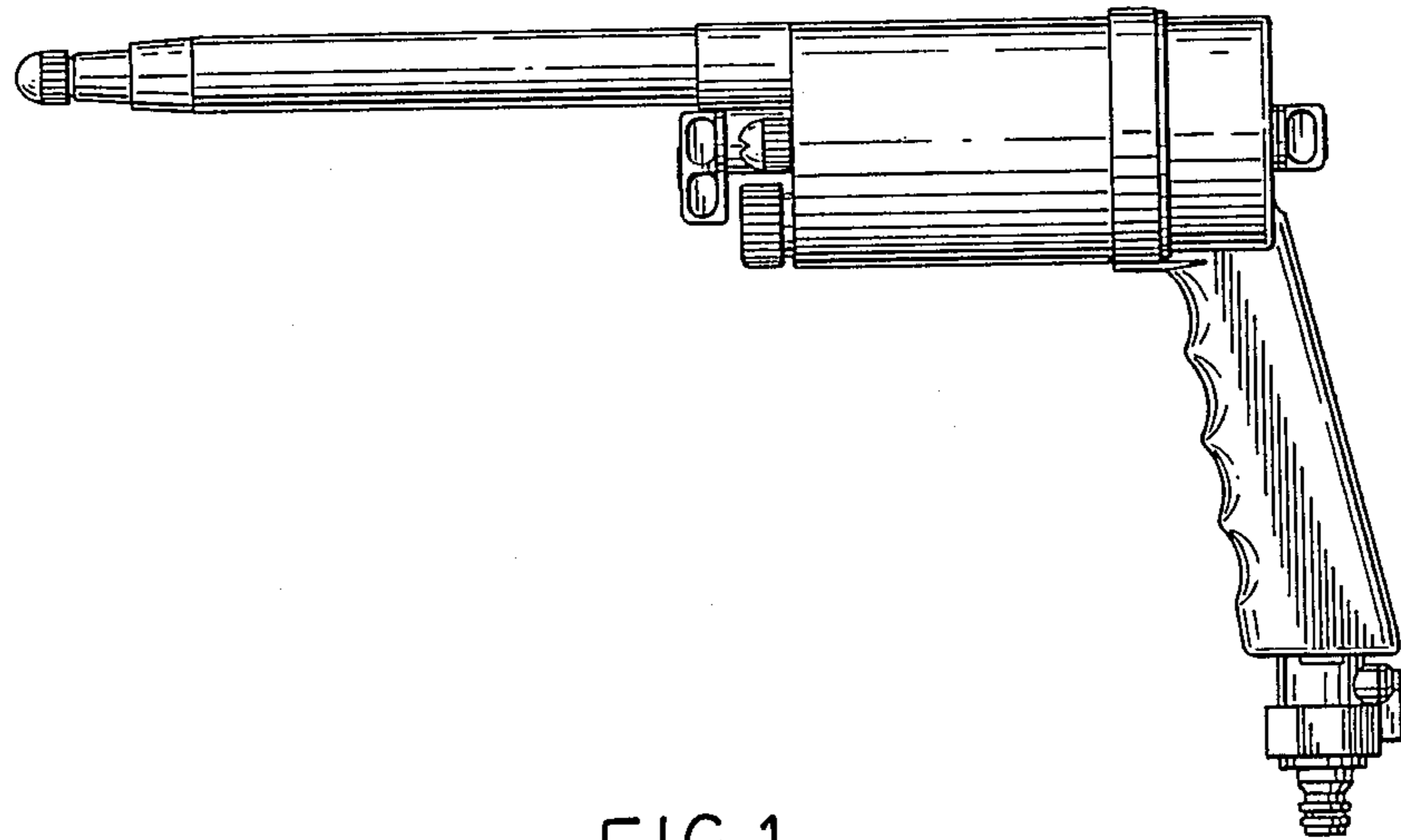


FIG. 1

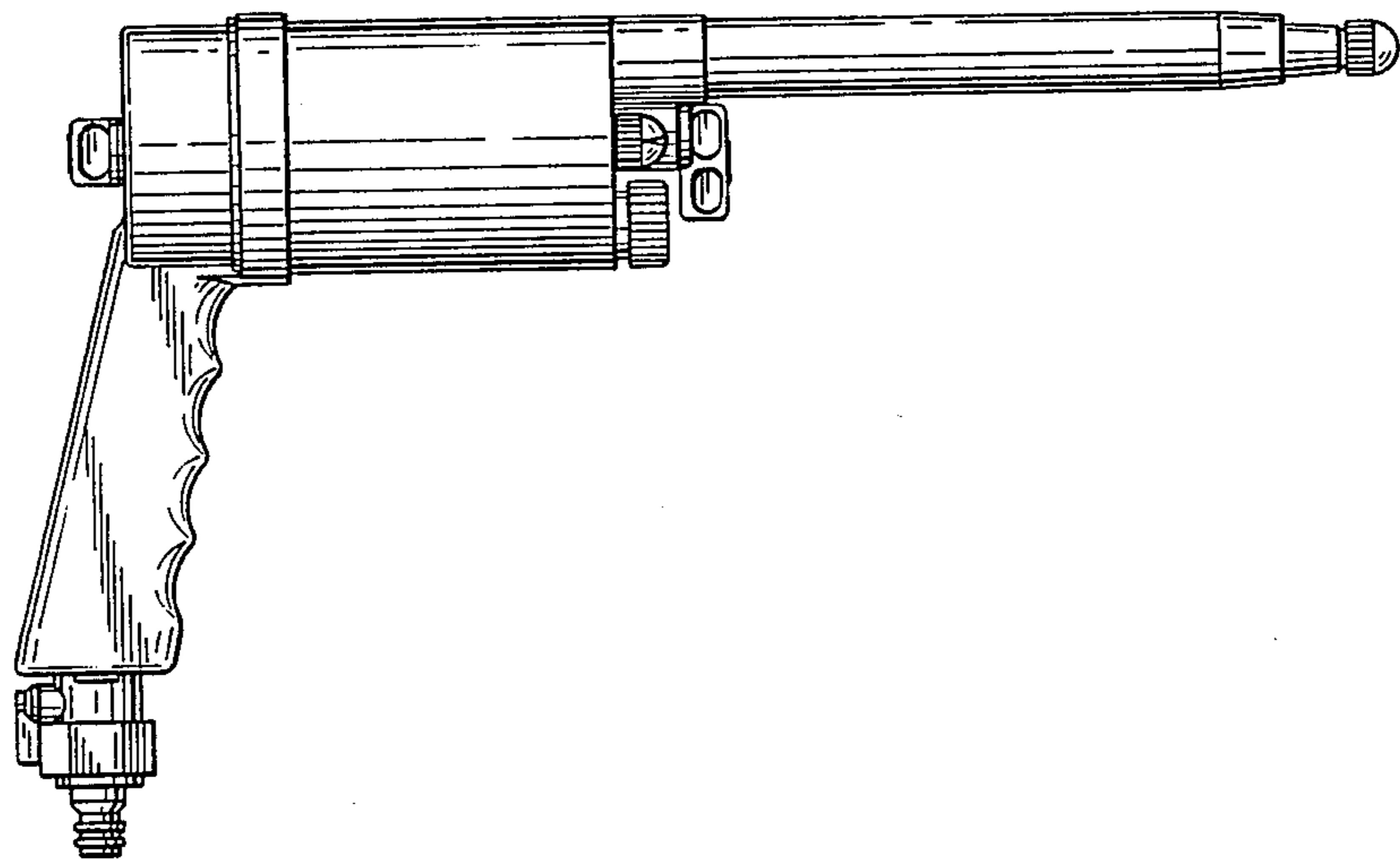


FIG. 2

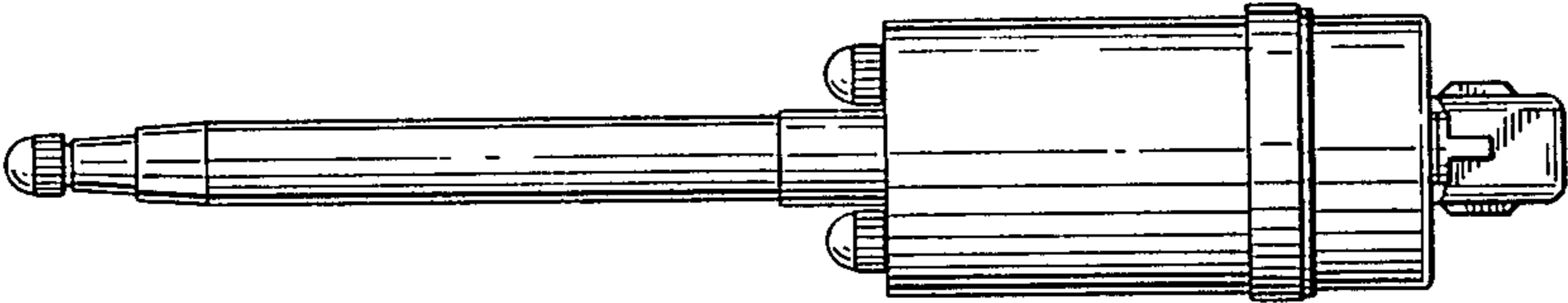


FIG. 5

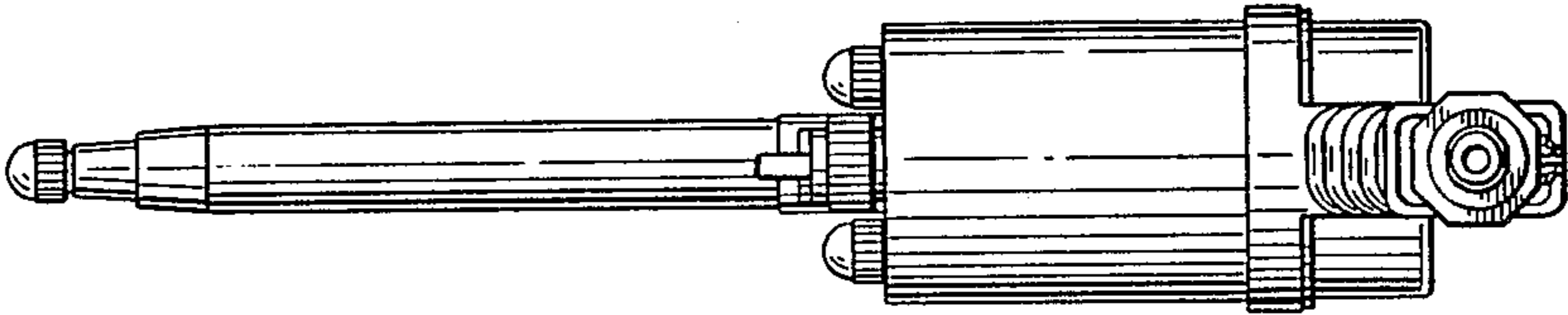


FIG. 6

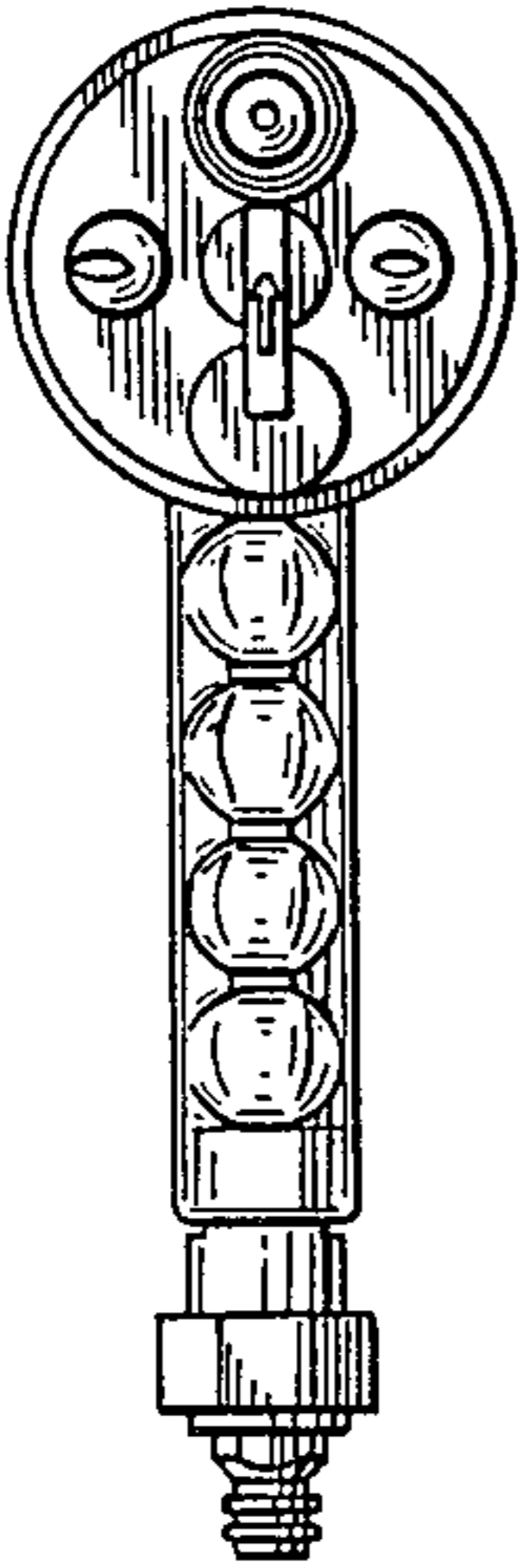


FIG. 3

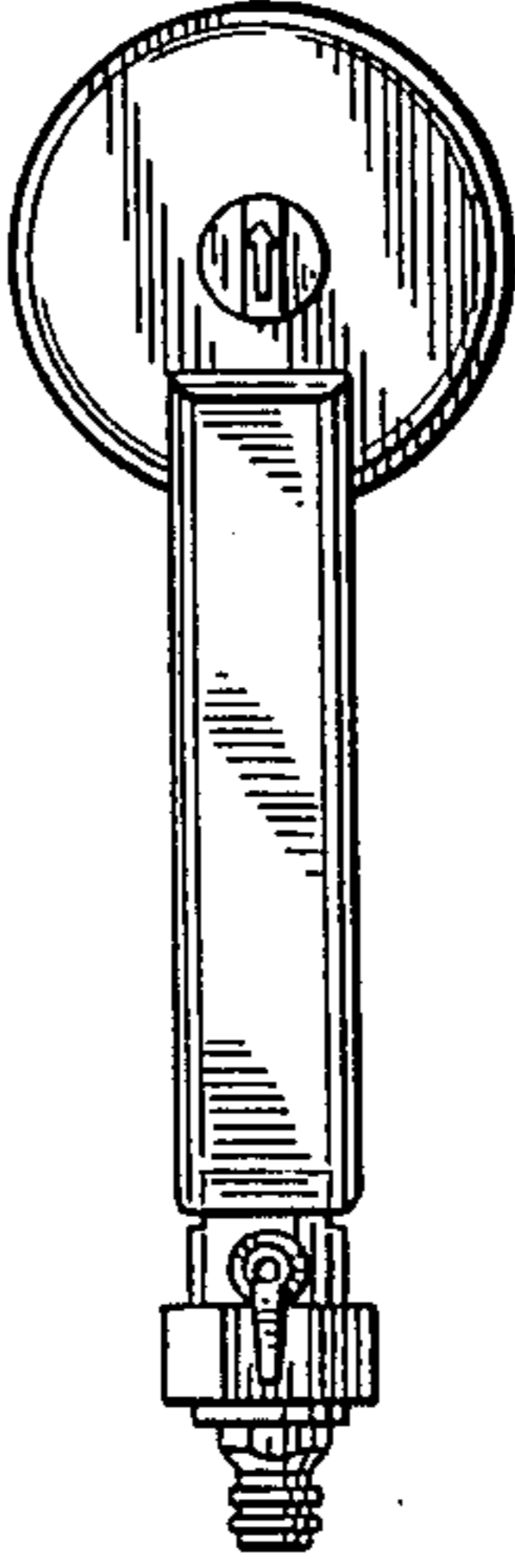


FIG. 4

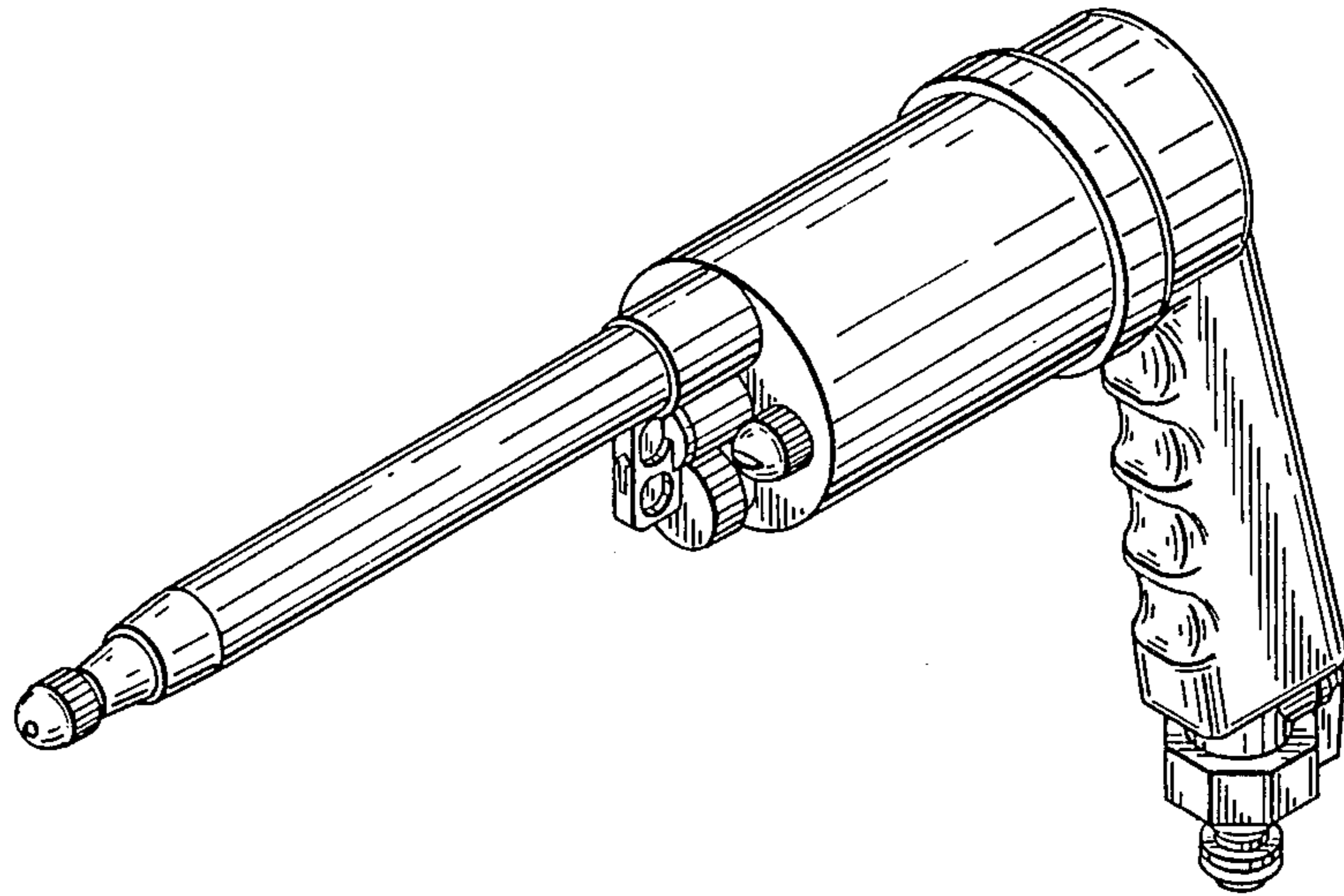


FIG. 7