

[54] **FISHING REEL**

[75] **Inventor: Seiji Myojo, Sakai, Japan**
[73] **Assignee: Shimano Industrial Company Limited, Osaka, Japan**
[**] **Term: 14 Years**
[21] **Appl. No.: 279,271**
[22] **Filed: Dec. 2, 1988**

Related U.S. Application Data

[63] Continuation of Ser. No. 908,086, Sep. 16, 1986, abandoned.

[30] **Foreign Application Priority Data**

Apr. 30, 1986 [JP] Japan 61-16464
[52] **U.S. Cl. D22/140**
[58] **Field of Search D22/140; 242/84.1 R, 242/84.2 R, 84.2 J**

[56]

References Cited

U.S. PATENT DOCUMENTS

D. 228,183 8/1973 Tufvesson D22/140
D. 236,827 9/1975 Tufvesson D22/140

FOREIGN PATENT DOCUMENTS

652723 2/1985 Japan .

Primary Examiner—A. Hugo Word
Attorney, Agent, or Firm—Stevens, Davis, Miller & Mosher

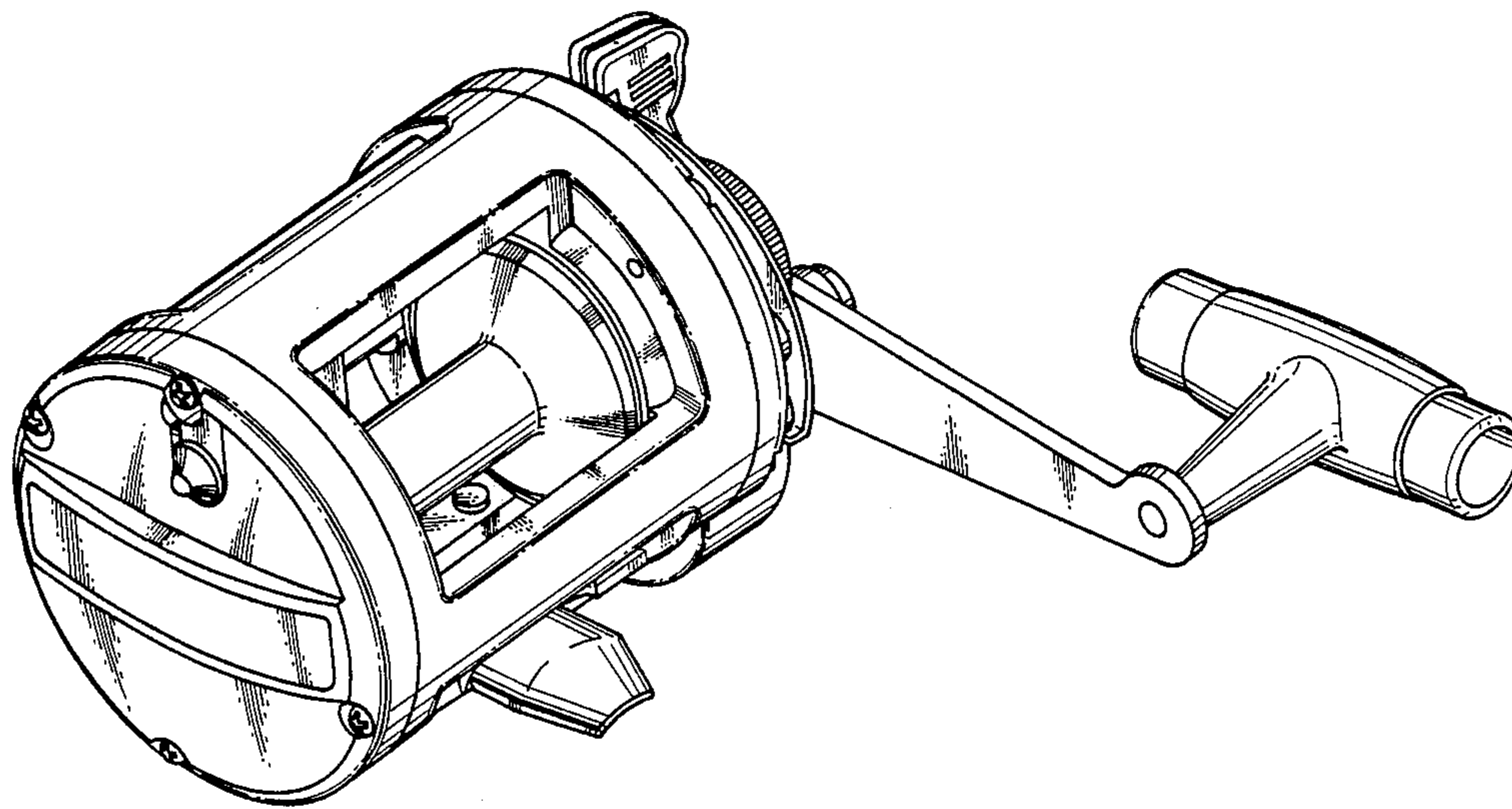
[57]

CLAIM

The ornamental design for a fishing reel, as shown.

DESCRIPTION

FIG. 1 is a perspective view of a fishing reel taken from the top, front and left side showing my new design; FIG. 2 is a rear side elevational view thereof; FIG. 3 is a perspective view thereof taken from the top, rear and right side; and FIG. 4 is a right side elevational view thereof.



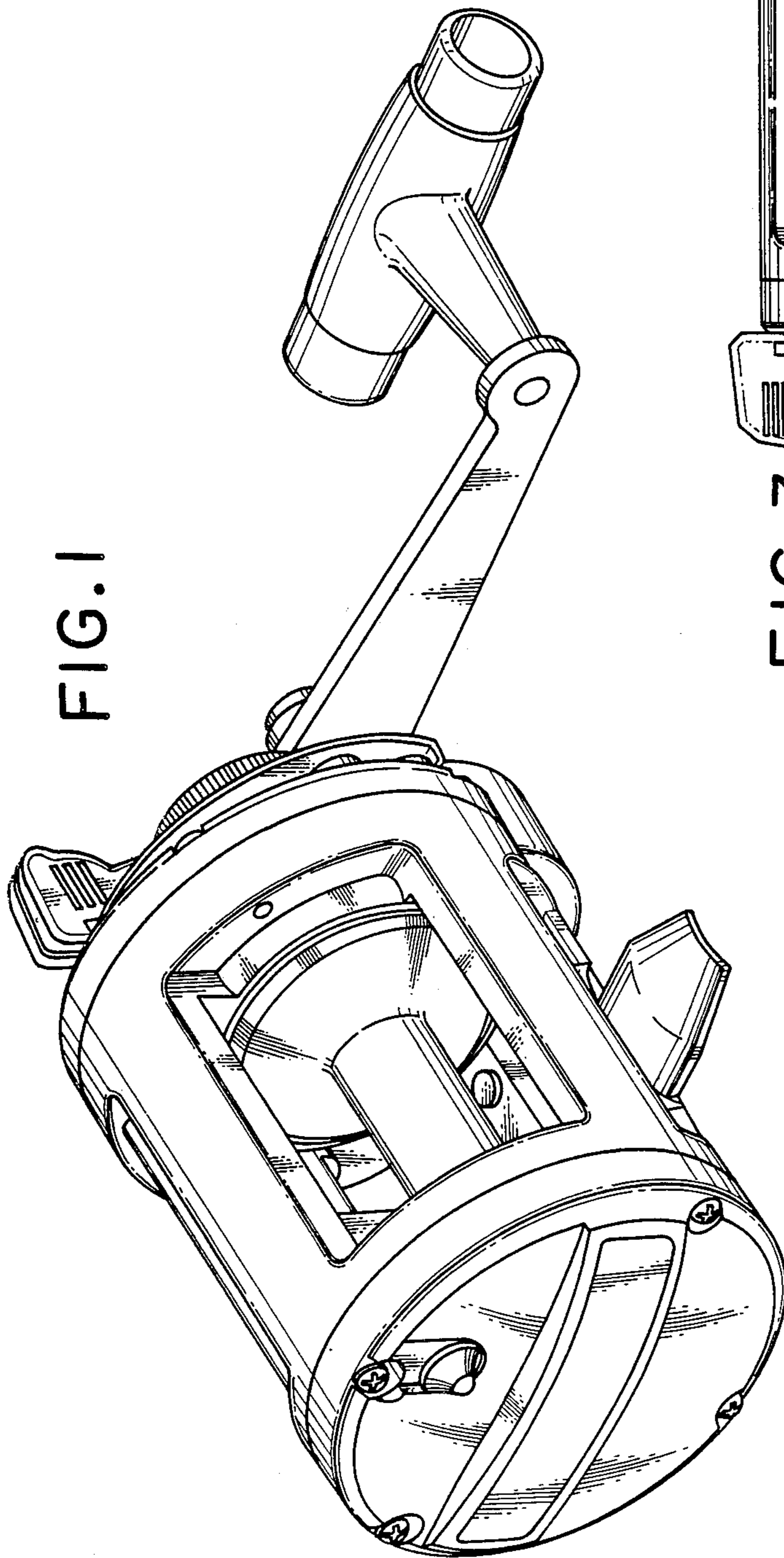


FIG. 1

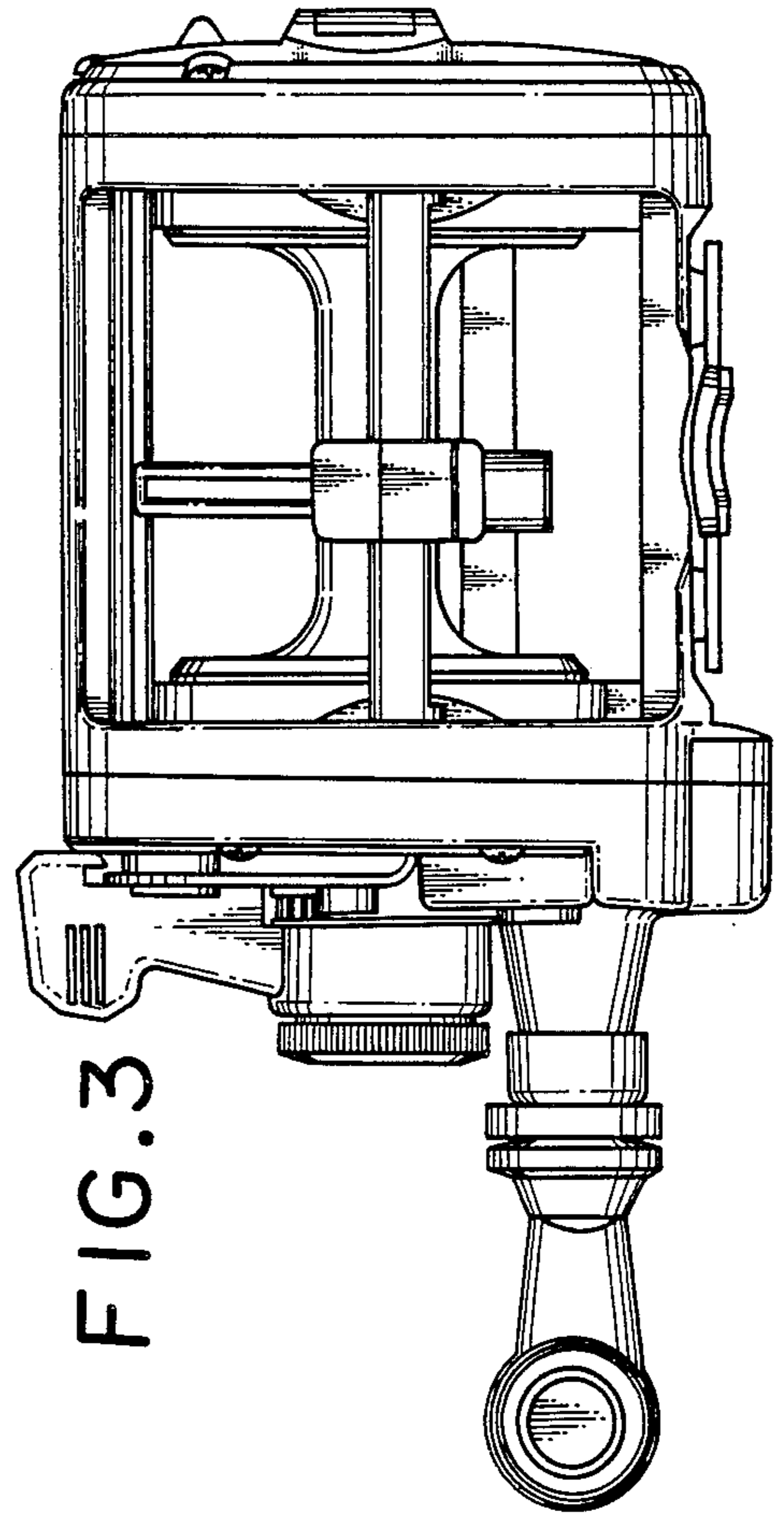


FIG. 3

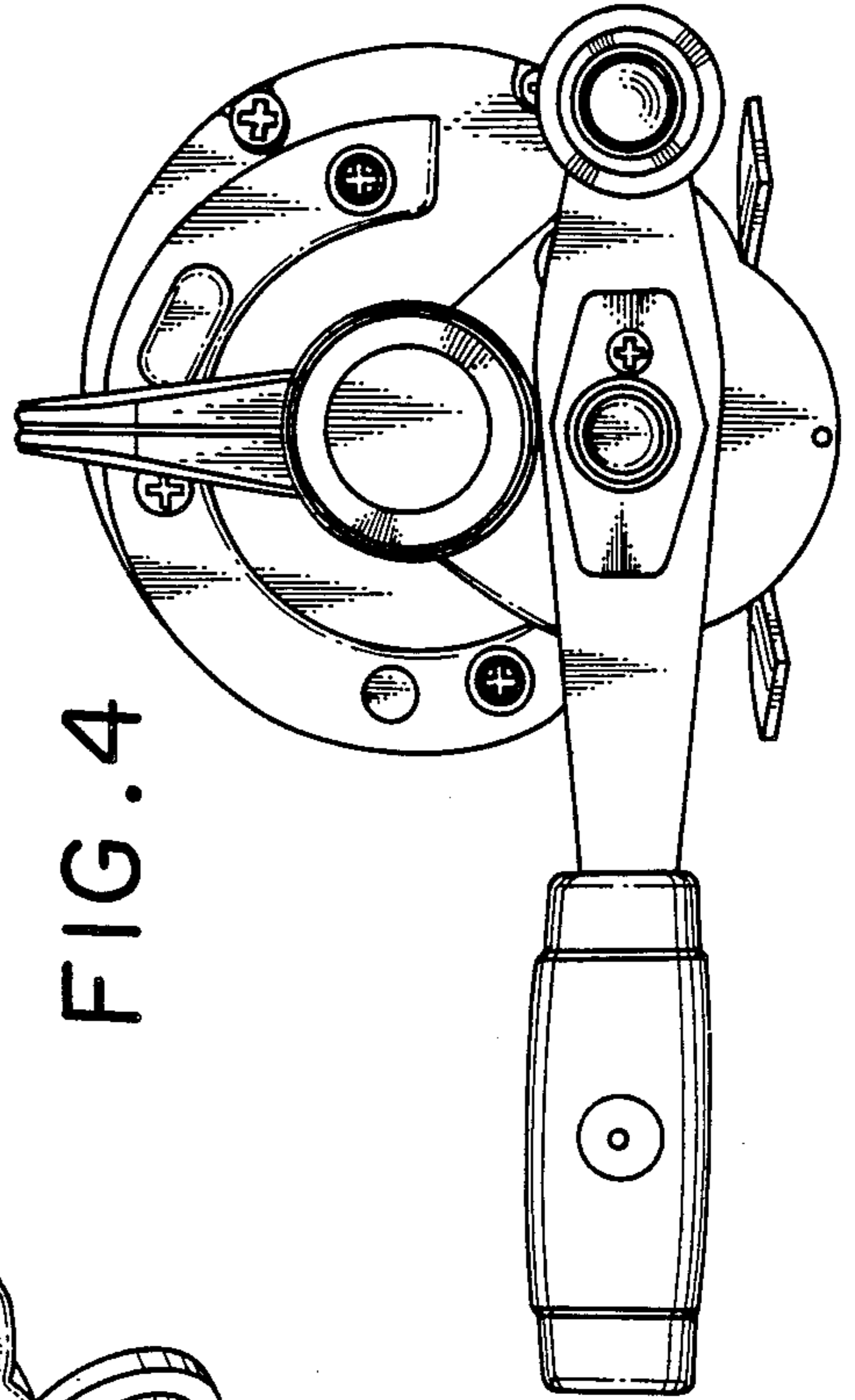
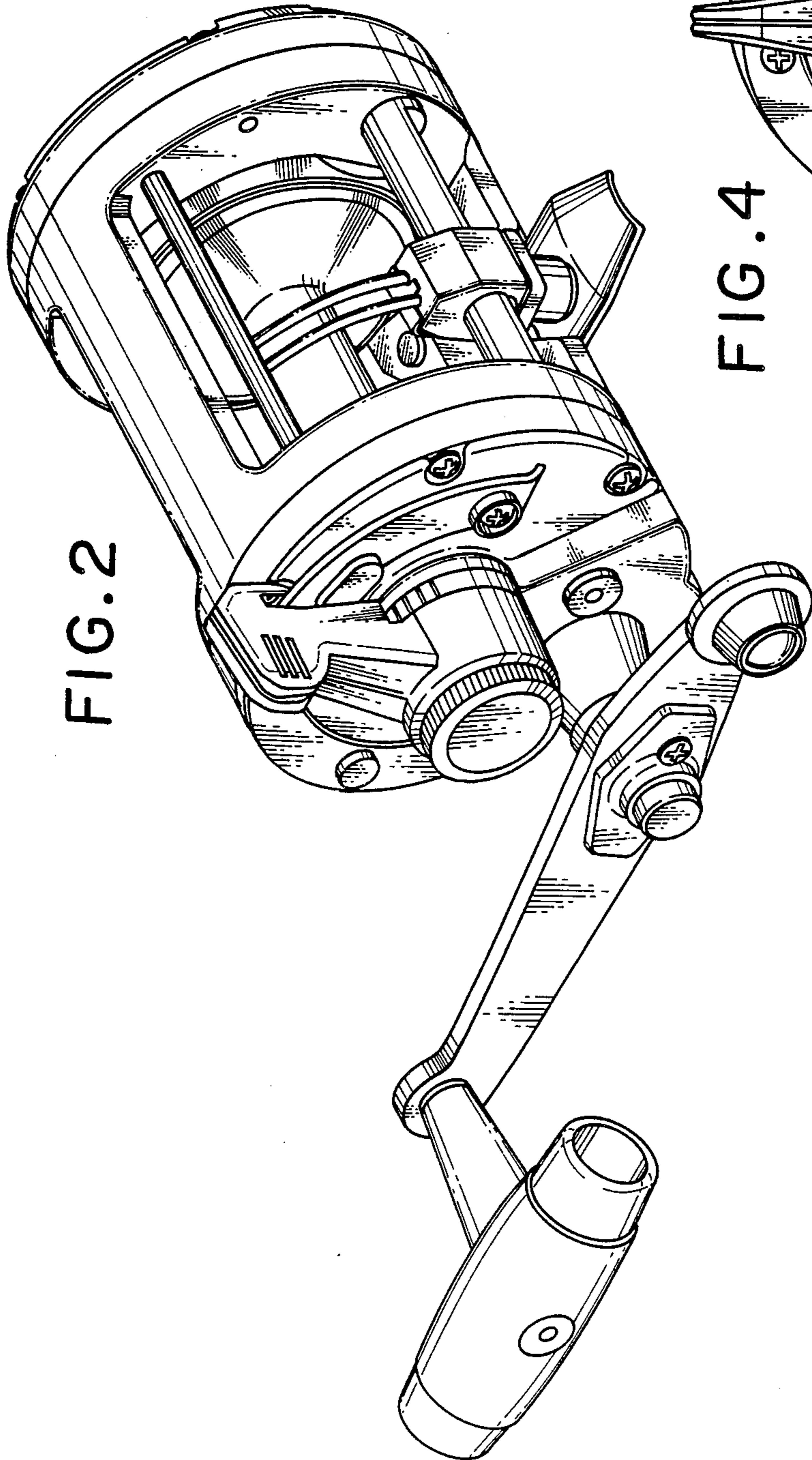


FIG. 2

FIG. 4