

[54] COMBINED ROLLER SKATE FOOTPLATE AND FASTENING THEREFOR

[76] Inventor: Joel K. Wendt, 635 Hudson Ave., Davis Island, Tampa, Fla. 33606

[**] Term: 14 Years

[21] Appl. No.: 852,520

[22] Filed: Apr. 14, 1986

[52] U.S. Cl. D21/226

[58] Field of Search D21/226; 36/84, 11.5, 36/115, 132, 50, 58.5; D2/309, 310, 290, 322; 280/11.2, 11.19, 11.18, 619, 618, 11.1 R, 11.3

[56] References Cited

U.S. PATENT DOCUMENTS

D. 100,272	7/1936	Kozak	D2/290
2,032,206	2/1936	Goldberg	D2/290
4,414,759	11/1983	Morgan et al.	36/11.5
4,446,633	5/1984	Scheinhaus et al.	D2/290
4,476,639	10/1984	Zaccaria	36/50

Primary Examiner—Charles A. Rademaker
Attorney, Agent, or Firm—Lothrop & West

[57] CLAIM

The ornamental design for a combined roller skate footplate and fastening therefor, as shown and described.

DESCRIPTION

FIG. 1 is a front perspective view of a combined roller skate footplate and fastening therefor, showing my new design;

FIG. 2 is a left side elevational view thereof;

FIG. 3 is a right side elevational view thereof;

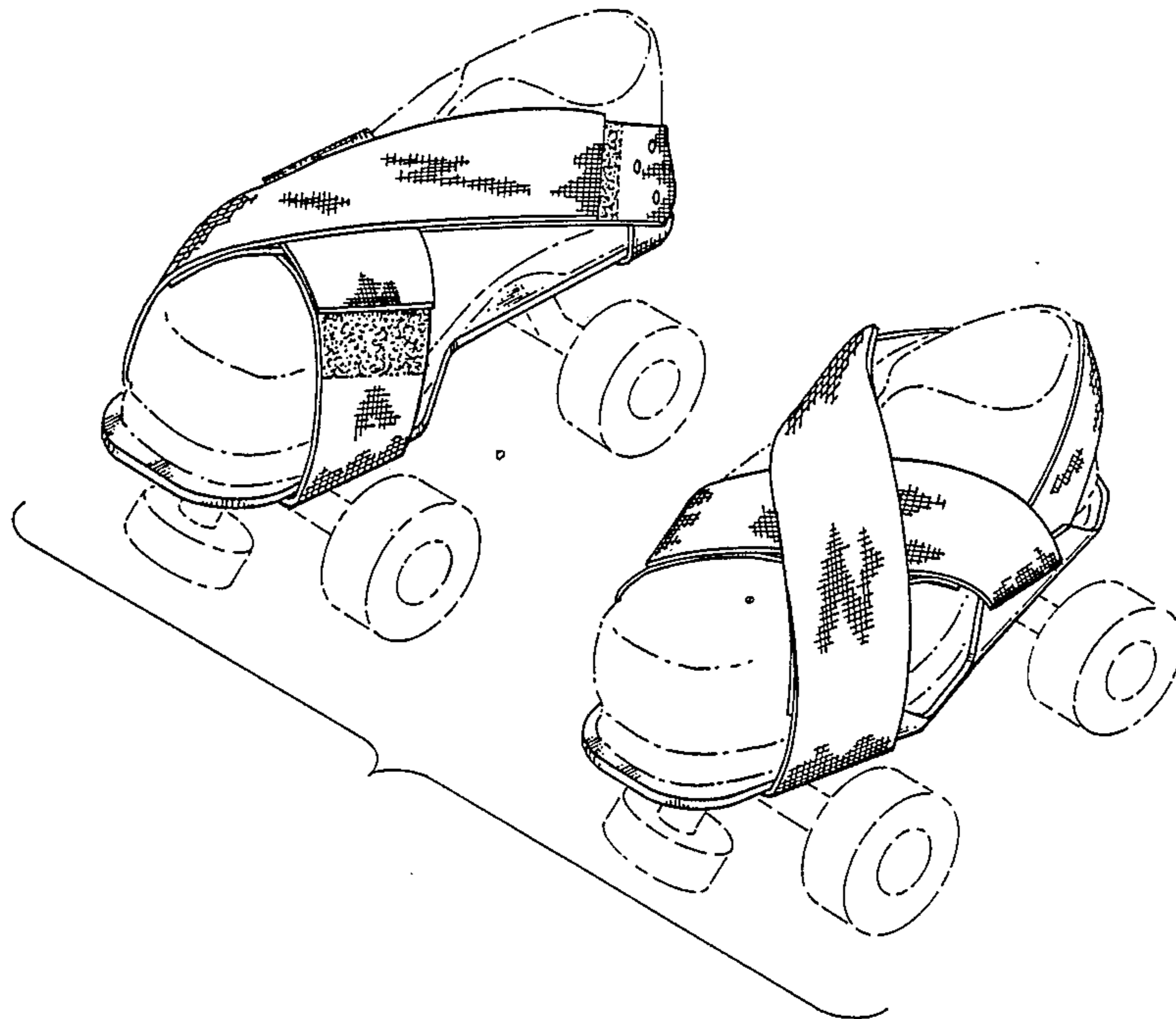
FIG. 4 is a rear elevational view thereof;

FIG. 5 is a front elevational view thereof;

FIG. 6 is a top plan view thereof, shown on a reduced scale and with the fastening members shown in an extended position; and,

FIG. 7 is a bottom plan view thereof.

The broken lines showing of a roller skate in FIGS. 1 through 5 is for illustrative purposes only and form no part of the claimed design.



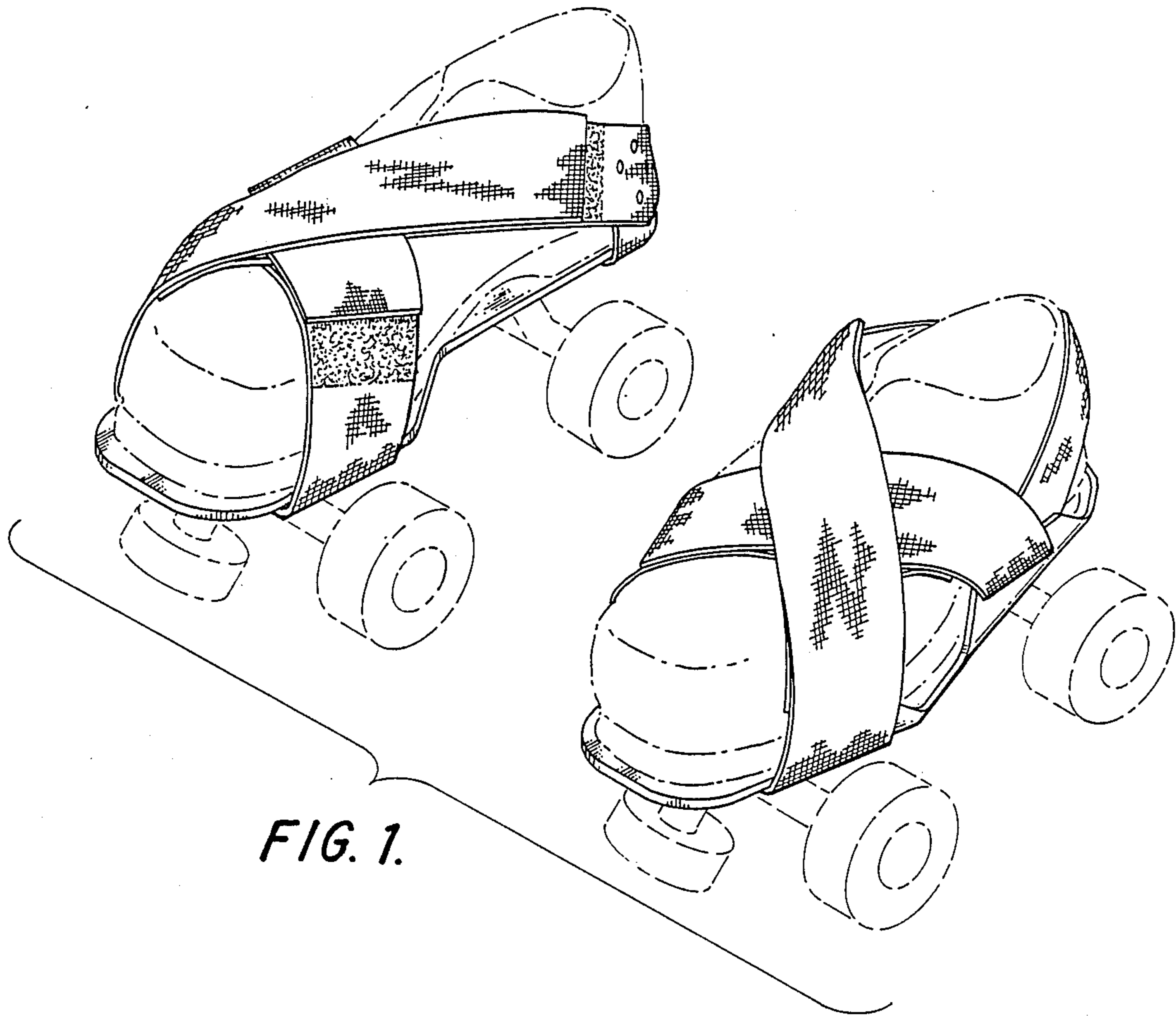


FIG. 1.

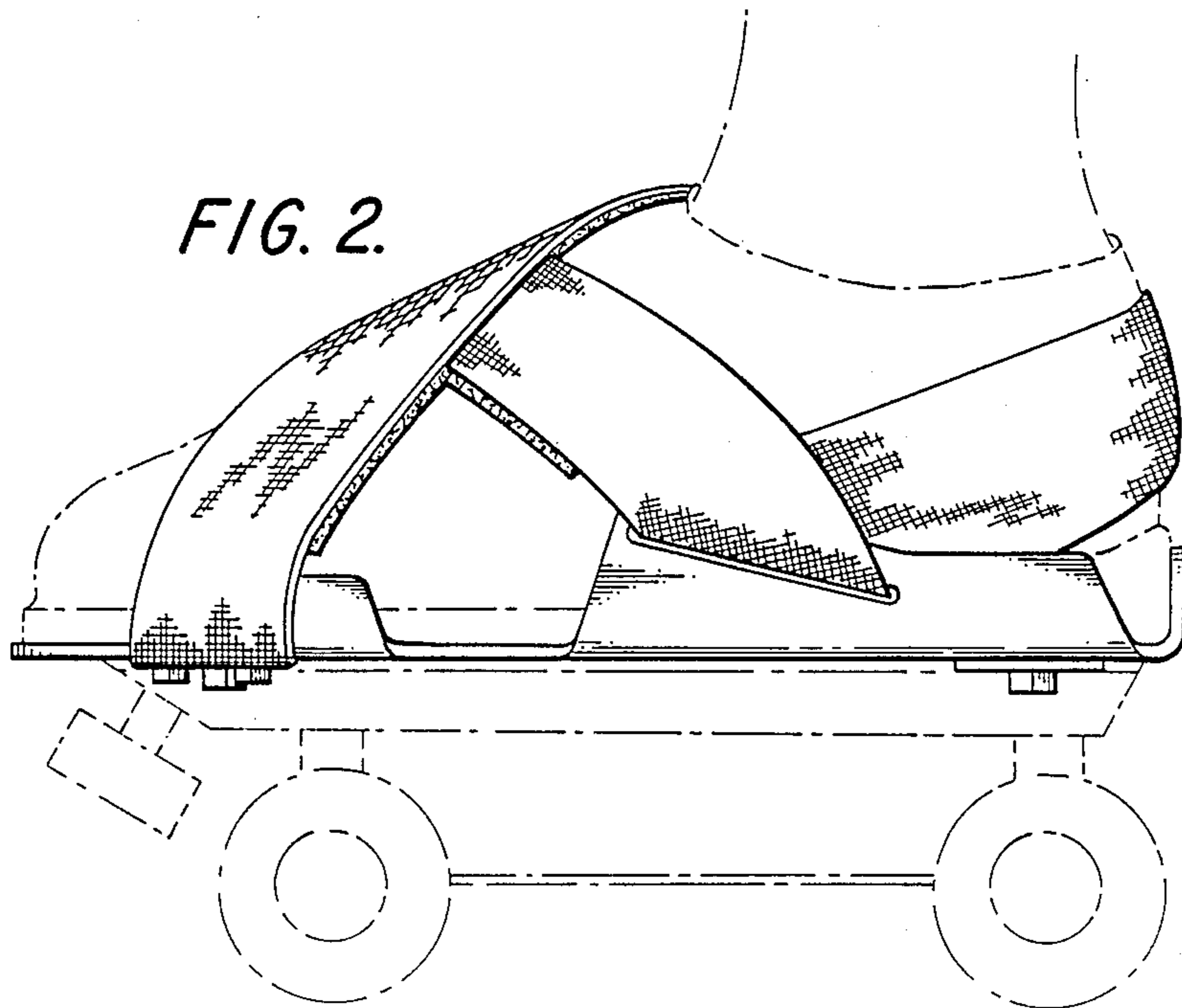


FIG. 2.

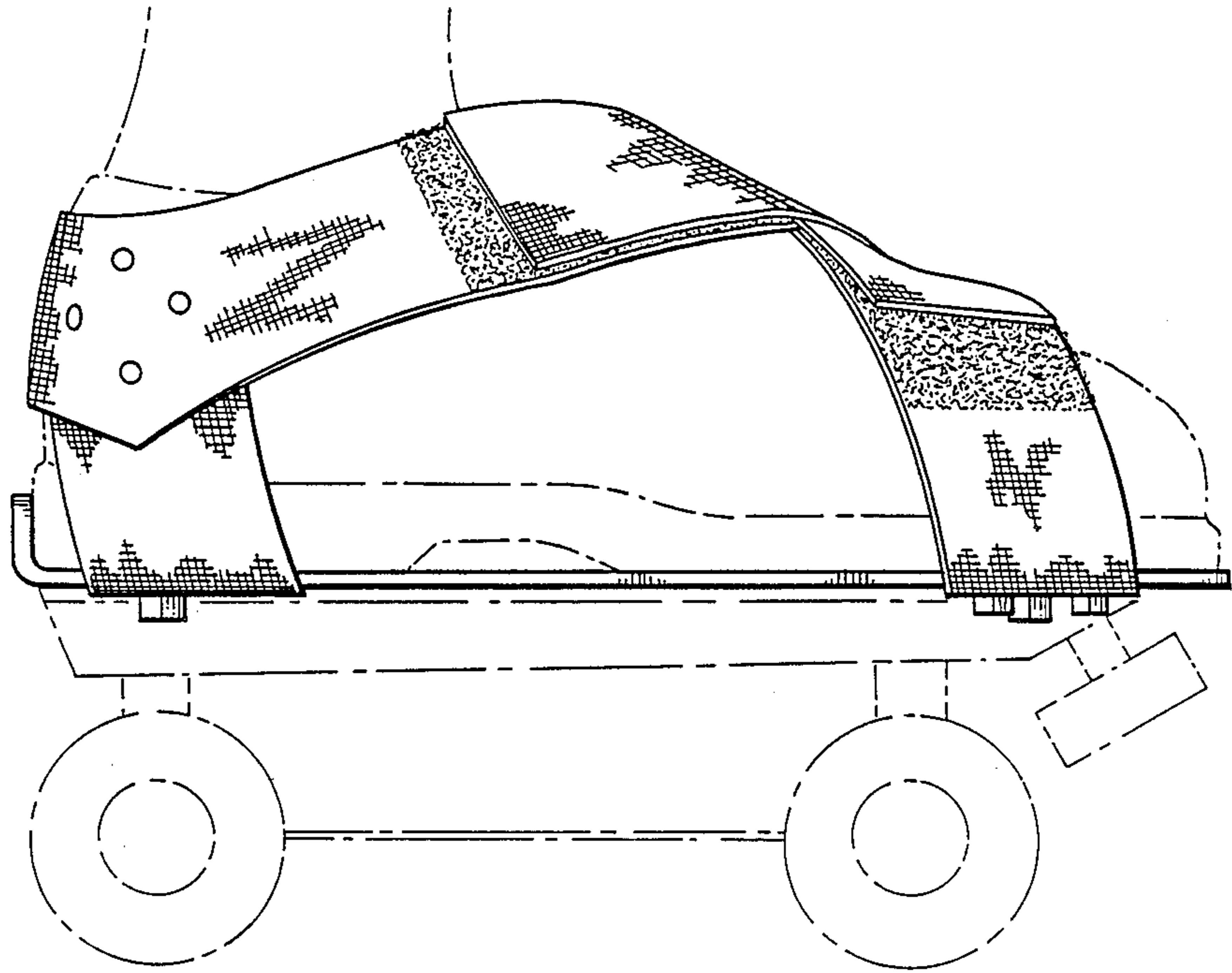


FIG. 3.

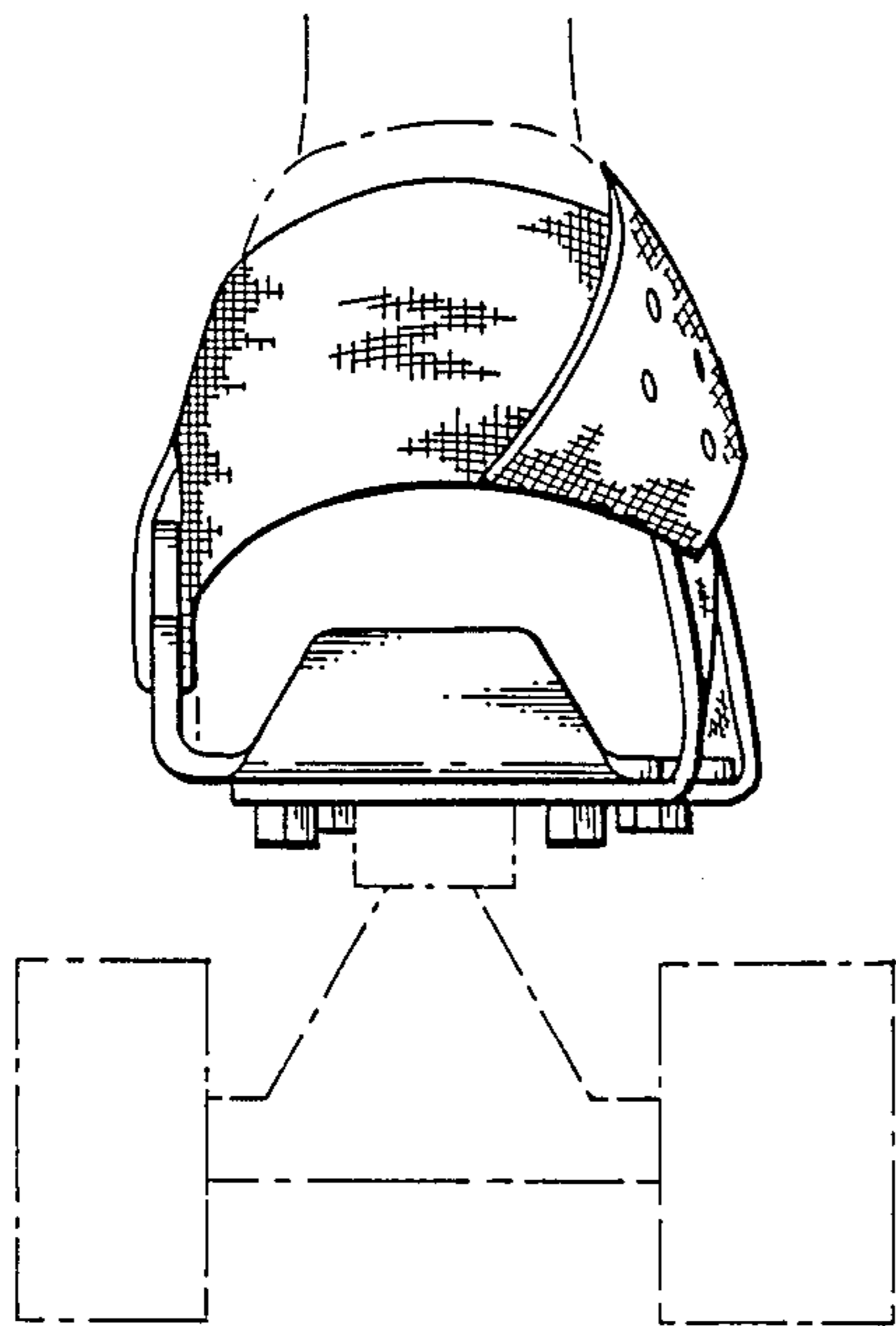


FIG. 4.

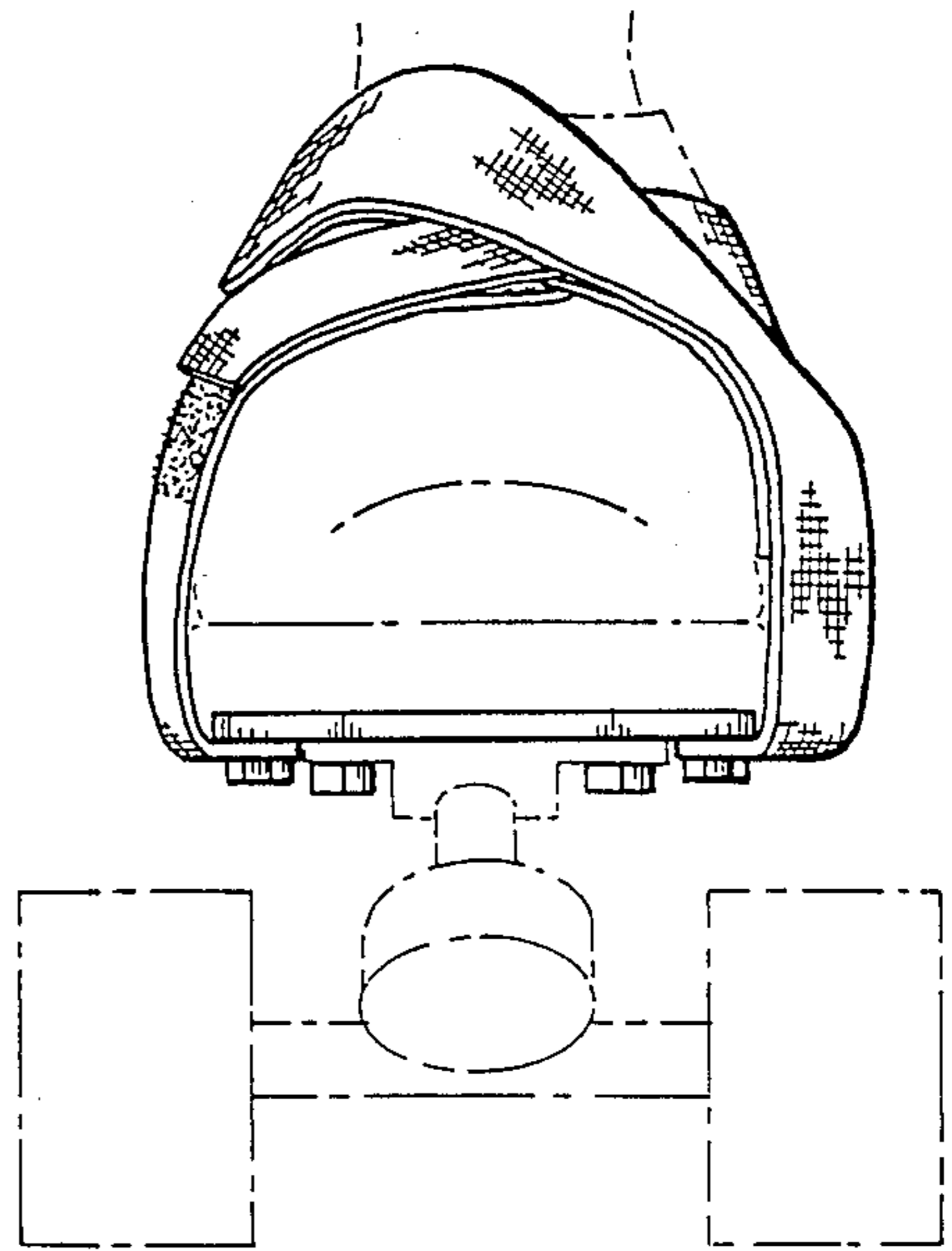


FIG. 5.

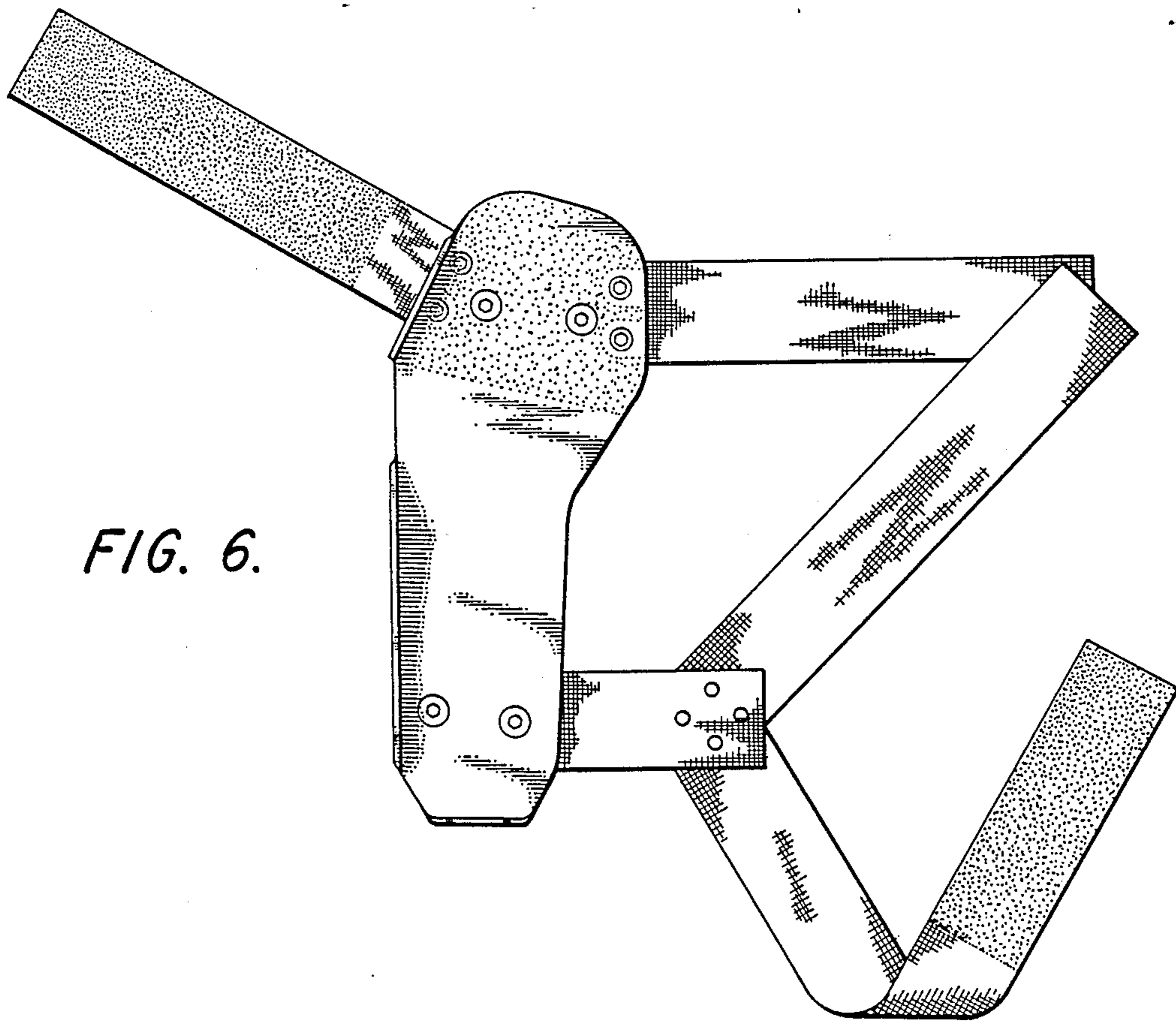


FIG. 6.

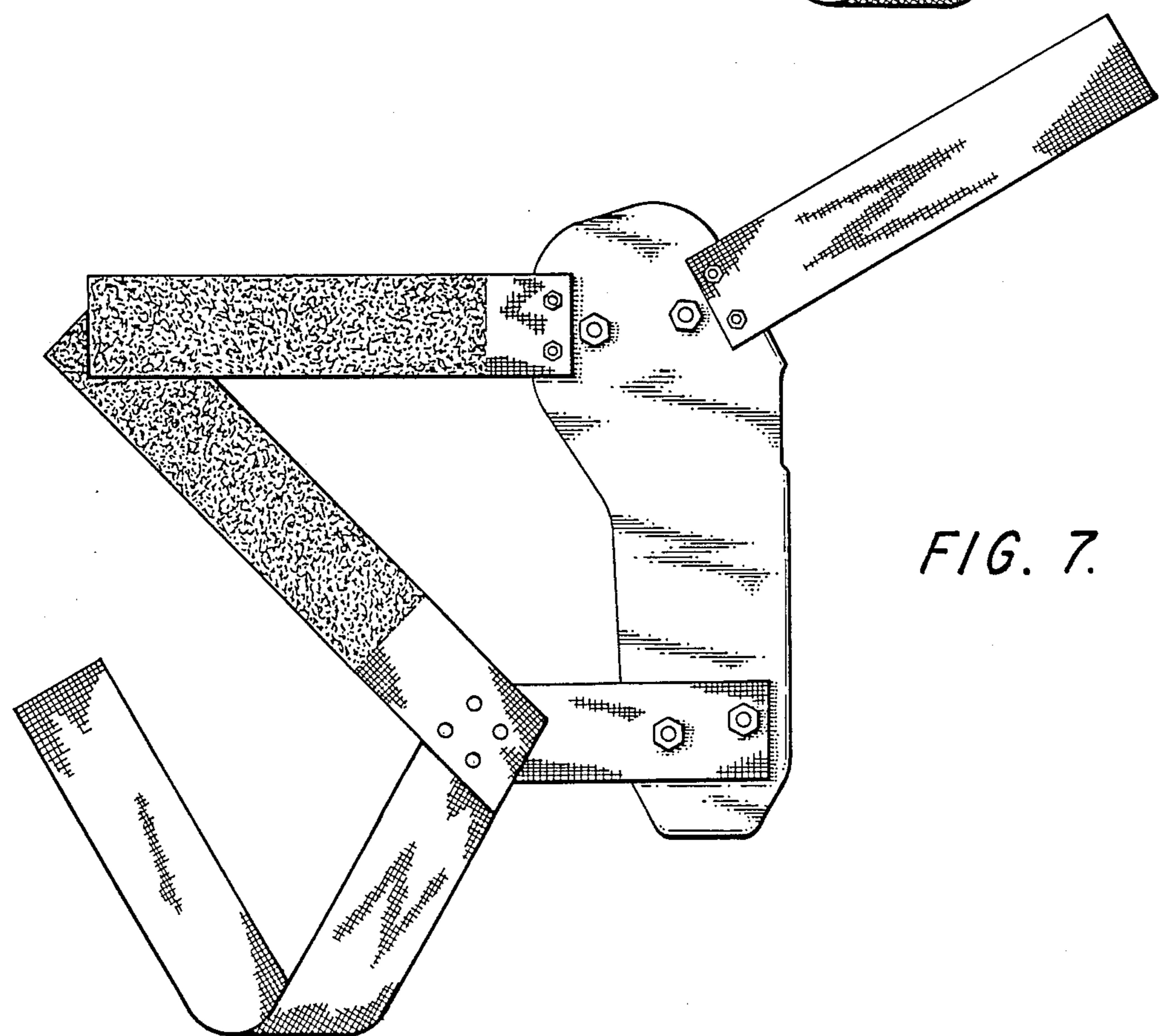


FIG. 7.