

# United States Patent [19]

Sherrard

[11] Patent Number: Des. 302,837

[45] Date of Patent: \*\* Aug. 15, 1989

[54] EXERCISE TREADMILL  
 [75] Inventor: Steven T. Sherrard, Bothell, Wash.  
 [73] Assignee: Tunturi, Inc., Bellevue, Wash.  
 [\*\*] Term: 14 Years  
 [21] Appl. No.: 180,265  
 [22] Filed: Apr. 11, 1988  
 [52] U.S. Cl. .... D21/192  
 [58] Field of Search ..... D21/191-198;  
 272/69

4,643,418 2/1987 Bart .  
 4,749,181 6/1988 Pittaway et al. .... 272/69  
 4,792,134 12/1988 Chen ..... 272/69

### OTHER PUBLICATIONS

Marty Liquori, Home Gym Workout, copyright 1986, pp. 140-165 (Bantam Books).

Primary Examiner—Charles A. Rademaker  
Attorney, Agent, or Firm—Graybeal, Jensen & Puntigam

### [57] CLAIM

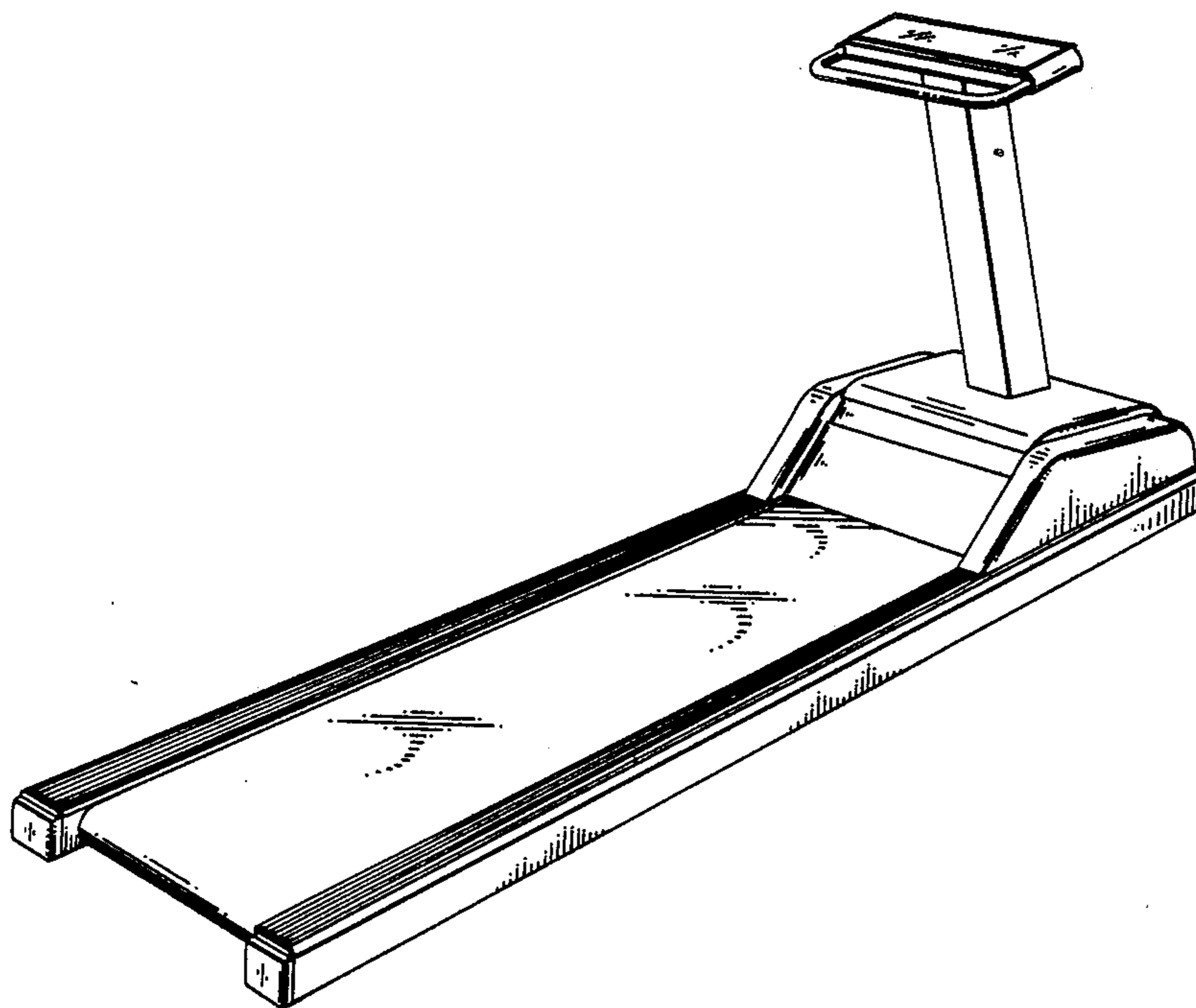
The ornamental design for a exercise treadmill, as shown.

### [56] References Cited U.S. PATENT DOCUMENTS

D. 232,446	8/1974	Townsend .....	D21/192
D. 280,002	8/1985	Smith .....	D21/192
D. 289,312	4/1987	Trulaske et al. ....	D21/192
3,703,284	11/1972	Hesen .	
3,711,812	1/1973	Cherry .	
4,426,075	1/1984	Otte .	
4,591,147	5/1986	Smith .	
4,616,822	10/1986	Trulaske .	
4,635,927	1/1987	Shu .....	272/69

### DESCRIPTION

FIG. 1 is a perspective view of a exercise treadmill, showing my new design;  
 FIG. 2 is a top plan view thereof;  
 FIG. 3 is a left side elevational view thereof;  
 FIG. 4 is a right side elevational view thereof;  
 FIG. 5 is a front elevational view thereof;  
 FIG. 6 is a rear elevational view thereof; and  
 FIG. 7 is a bottom plan view thereof.



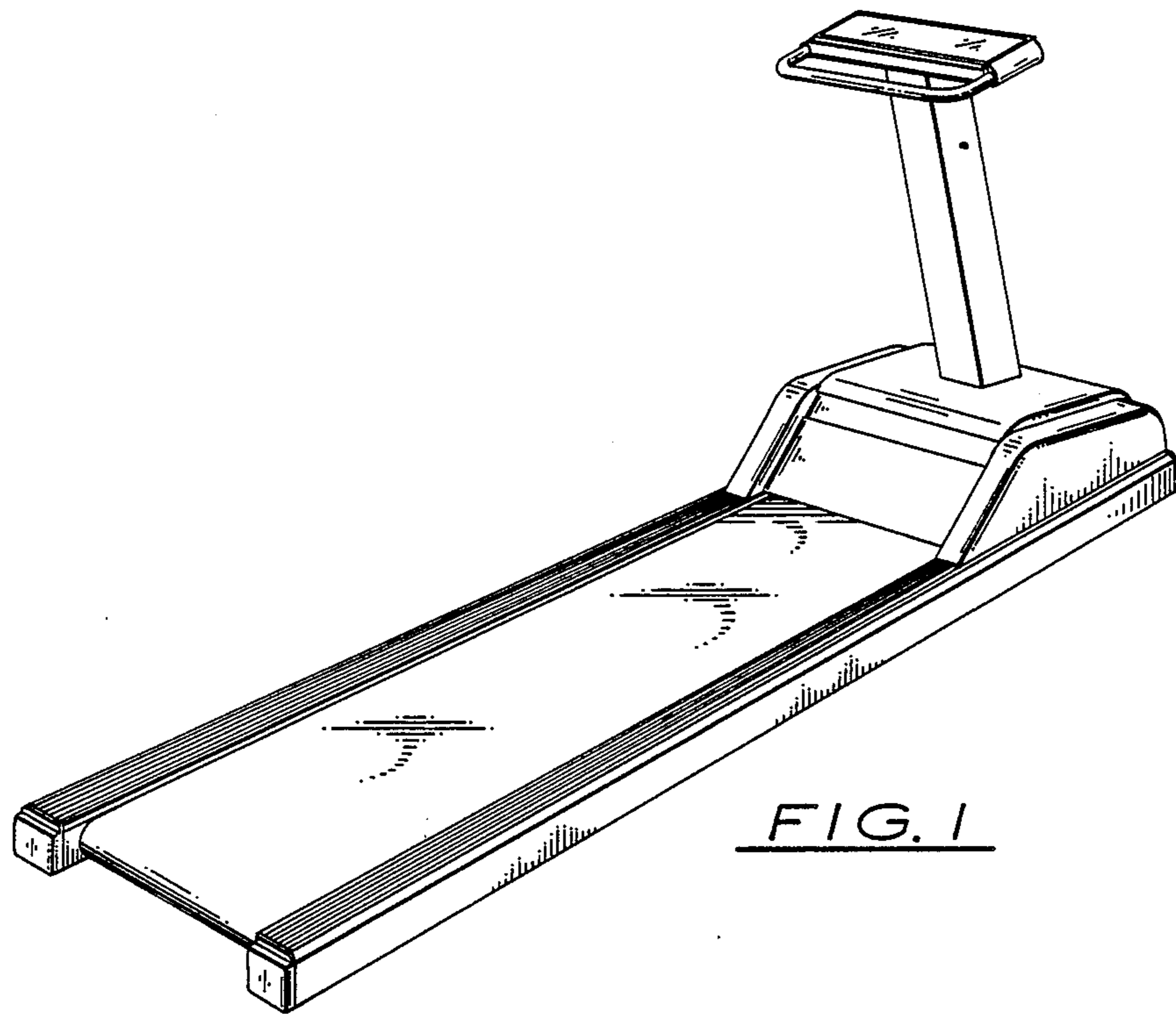


FIG. 1

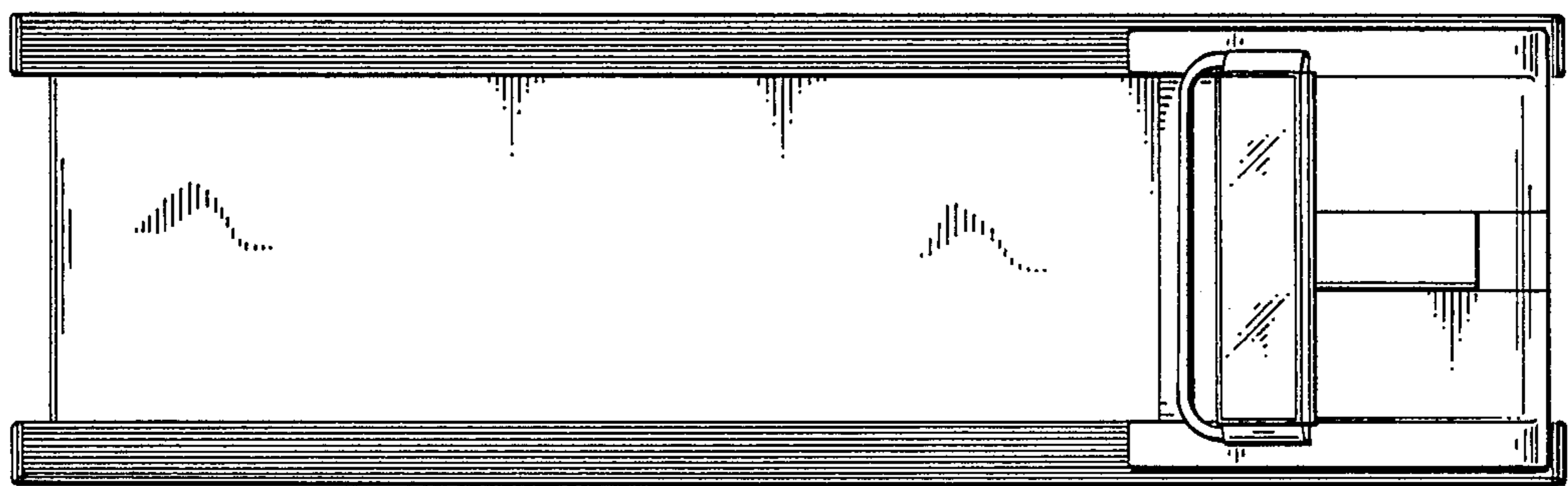


FIG. 2

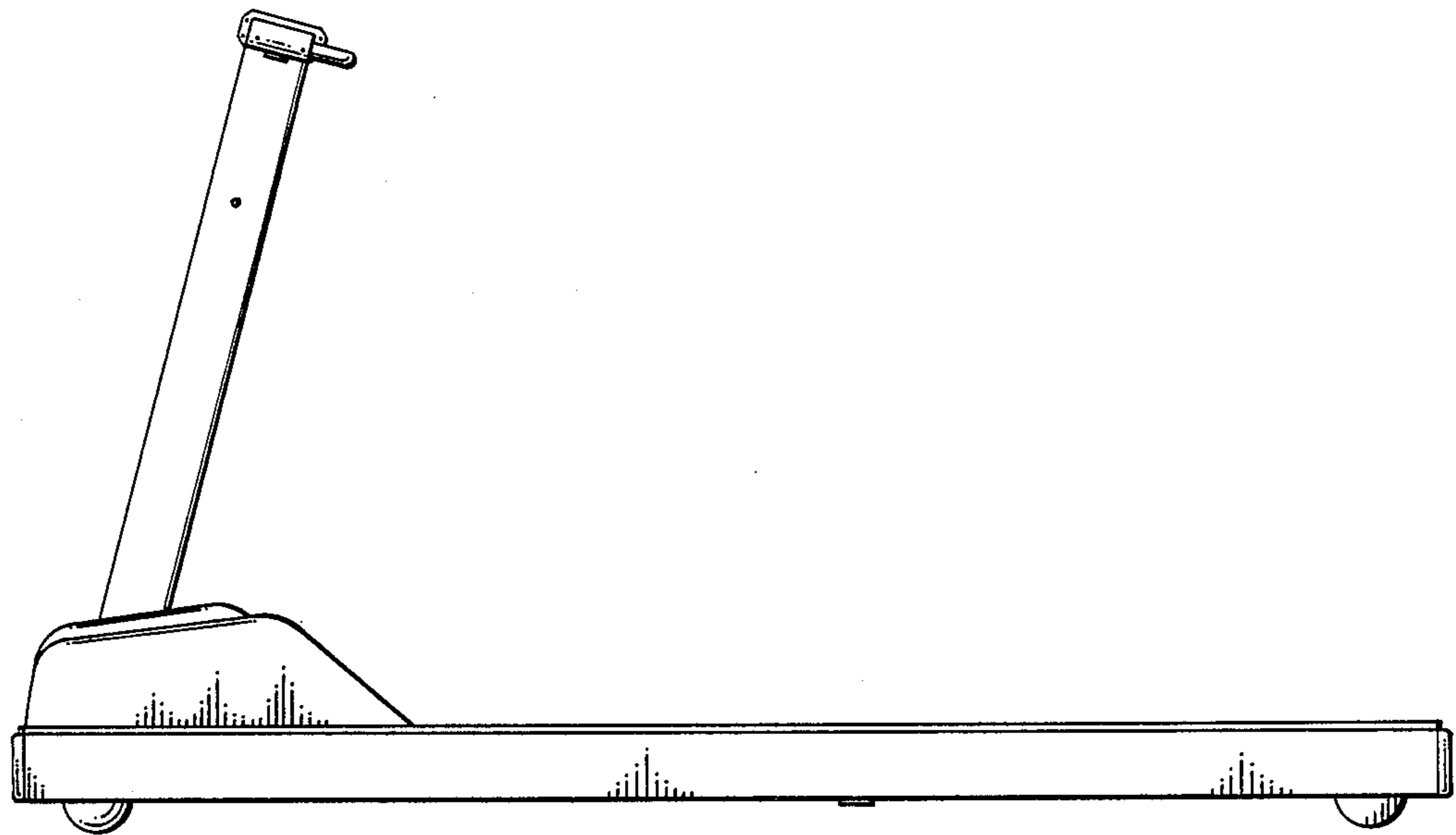


FIG. 3

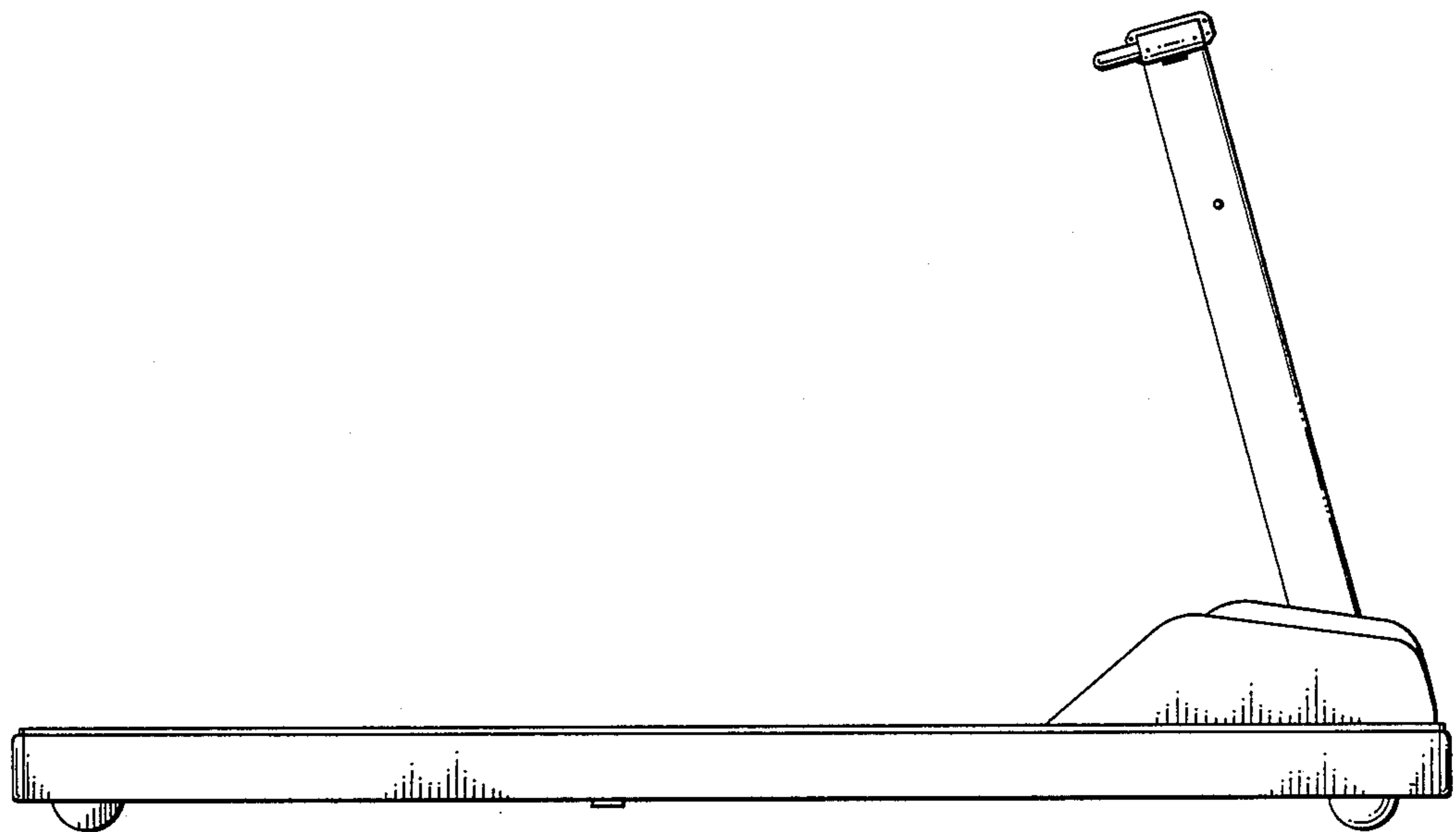


FIG. 4

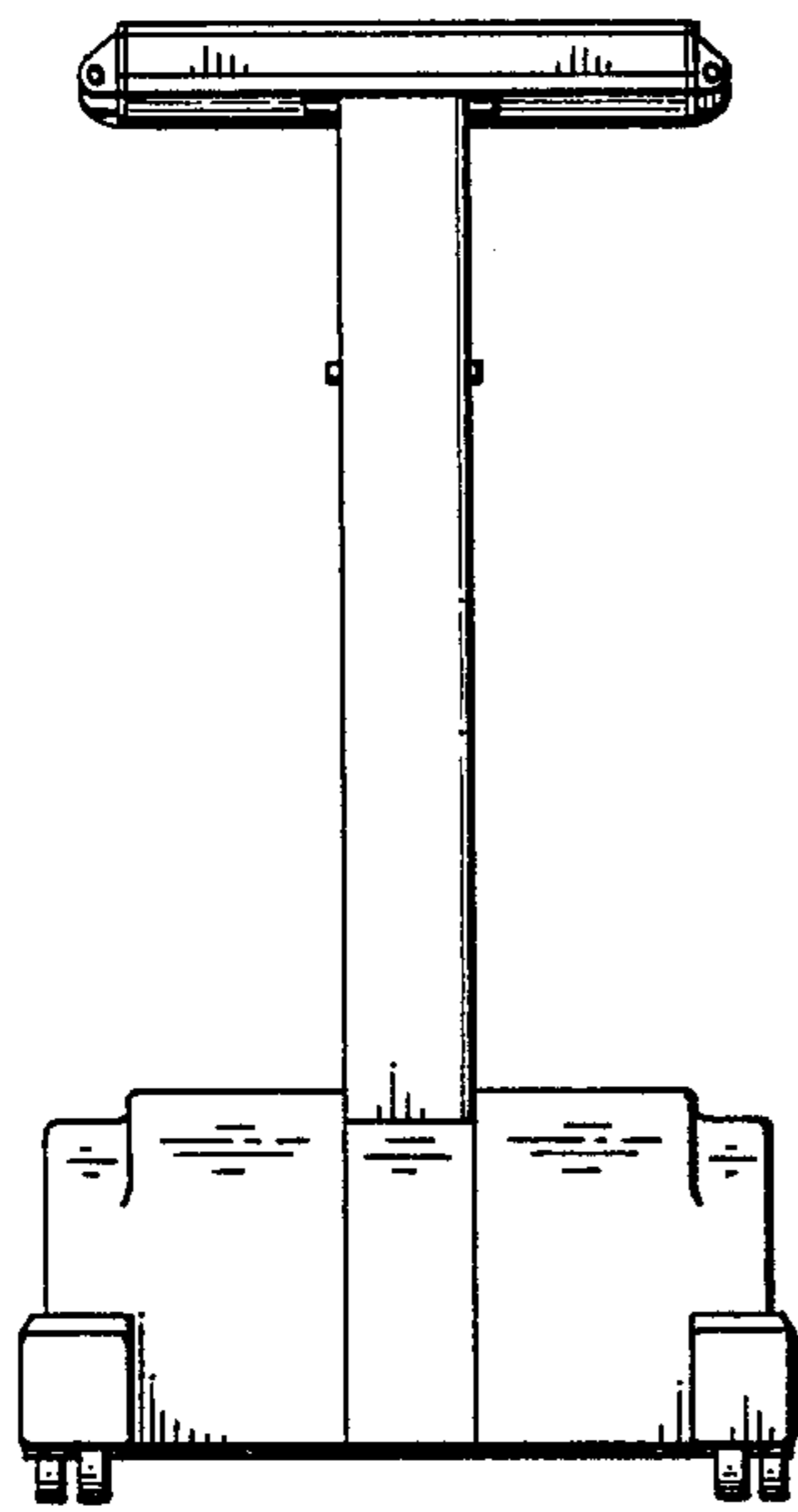


FIG. 5

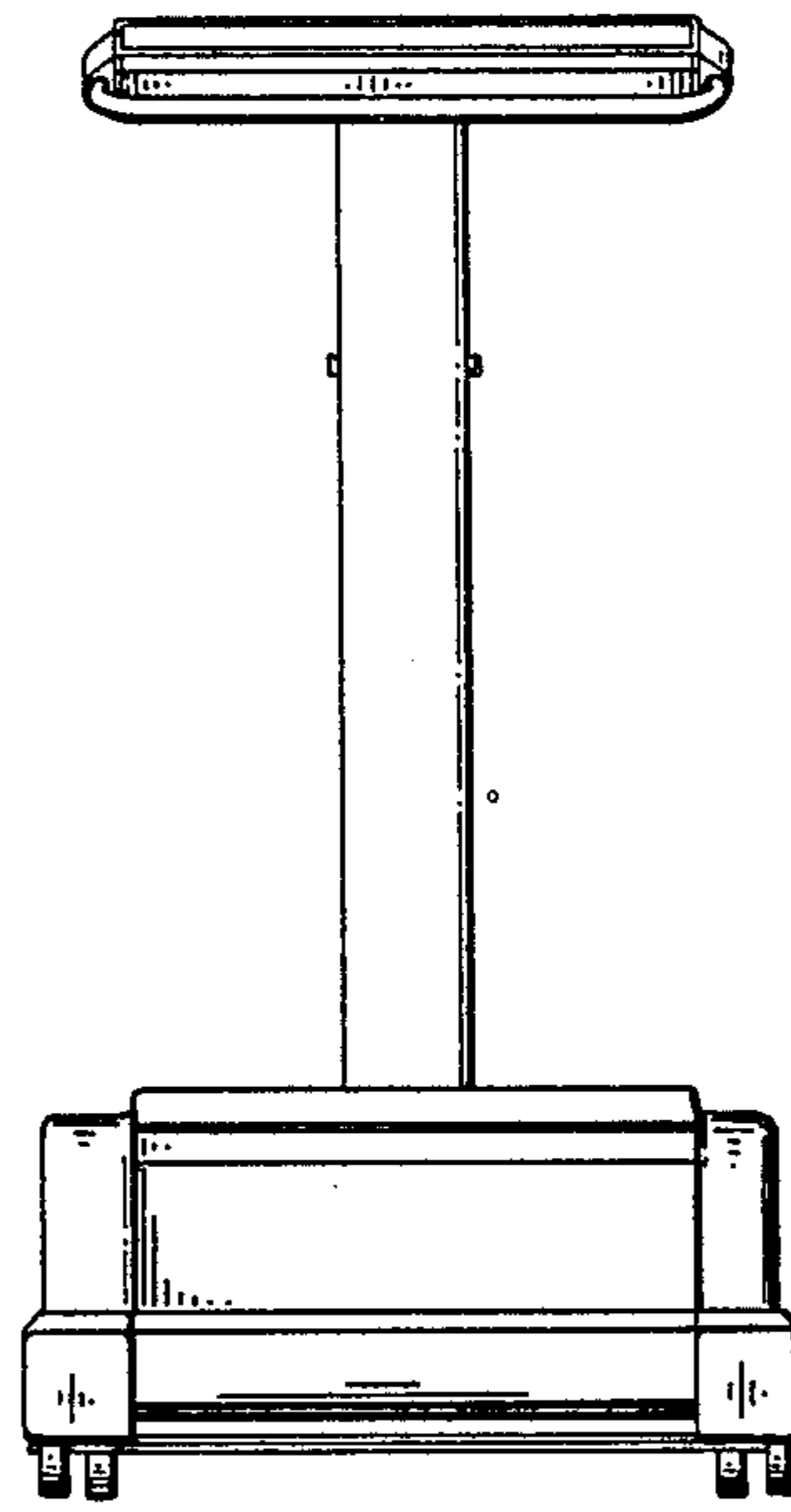


FIG. 6

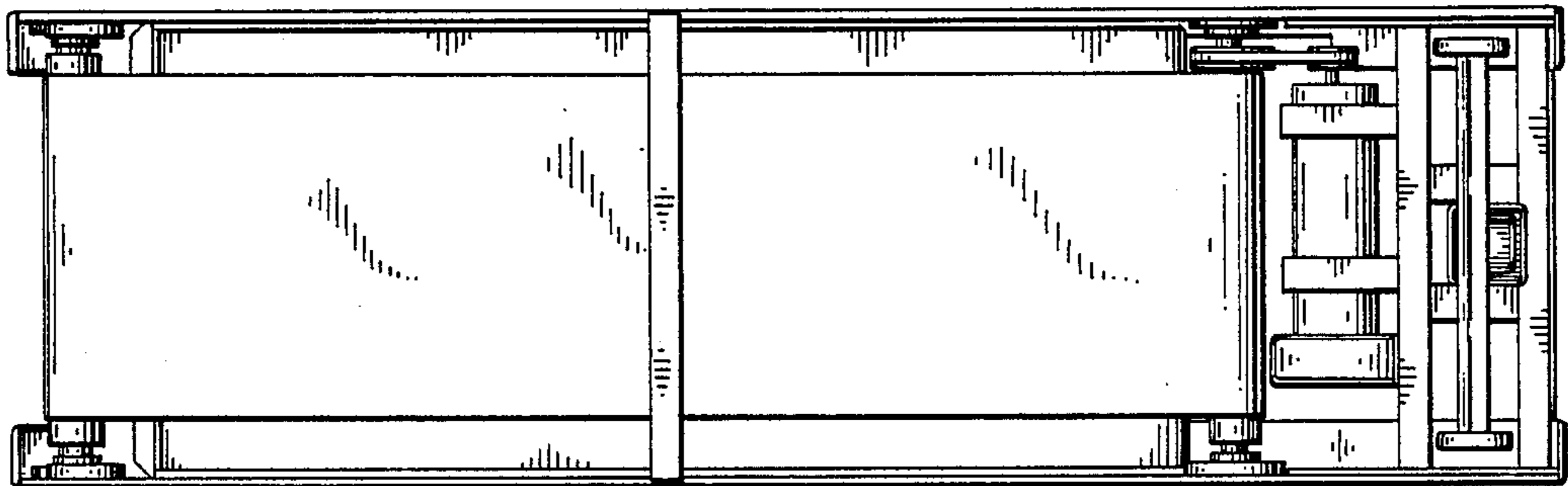


FIG. 7