

[54] IDENTIFICATION MARKER UNIT FOR CABLES

[75] Inventor: Walter Jaffe, Lidköping, Sweden  
[73] Assignee: Fleximark AB, Gothenburg, Sweden  
[\*\*] Term: 14 Years  
[21] Appl. No.: 856,098  
[22] Filed: Apr. 17, 1986

[30] Foreign Application Priority Data

Oct. 17, 1985 [SE] Sweden ..... 85-2508  
[52] U.S. Cl. .... D20/43  
[58] Field of Search ..... D20/10, 12, 27, 42,  
D20/43; 40/316, 625, 628; 428/36, 43

[56] References Cited

U.S. PATENT DOCUMENTS

4,234,090 11/1980 Barbieri et al. .... 40/316  
4,378,648 4/1983 Loof et al. .... 40/316  
4,425,390 1/1984 Changani et al. .... 40/316  
4,649,658 3/1987 Sarton et al. .... 40/316

FOREIGN PATENT DOCUMENTS

8503800 8/1985 Sweden ..... 40/316  
750670 6/1956 United Kingdom ..... 40/316

Primary Examiner—James M. Gandy

Assistant Examiner—Lisa Lichtenstein  
Attorney, Agent, or Firm—Cushman, Darby & Cushman

[57] CLAIM

The ornamental design for an identification marker unit for cables, as shown and described.

DESCRIPTION

FIG. 1 is a perspective view of an identification marker unit for cables showing the front, bottom and one end of my new design;  
FIG. 2 is a perspective view thereof showing the rear, top and end shown in FIG. 1;  
FIG. 3 is an enlarged rear elevation view thereof in inverted condition;  
FIG. 4 is an enlarged front elevation view thereof;  
FIG. 5 is an enlarged end elevation view of the end shown in FIG. 1, it being understood that the opposite end is a mirror image thereof;  
FIG. 6 is an enlarged bottom plan view thereof; and  
FIG. 7 is an enlarged top plan view thereof.  
The five transversely spaced vertical broken lines shown in FIGS. 1, 2, 3, 4, 6 and 7 are understood to represent breaking points for separating the individual marking units.  
The broken line showing of numerals and letters in FIGS. 1 and 4 of the drawing is for illustrative purposes only and forms no part of the claimed design.

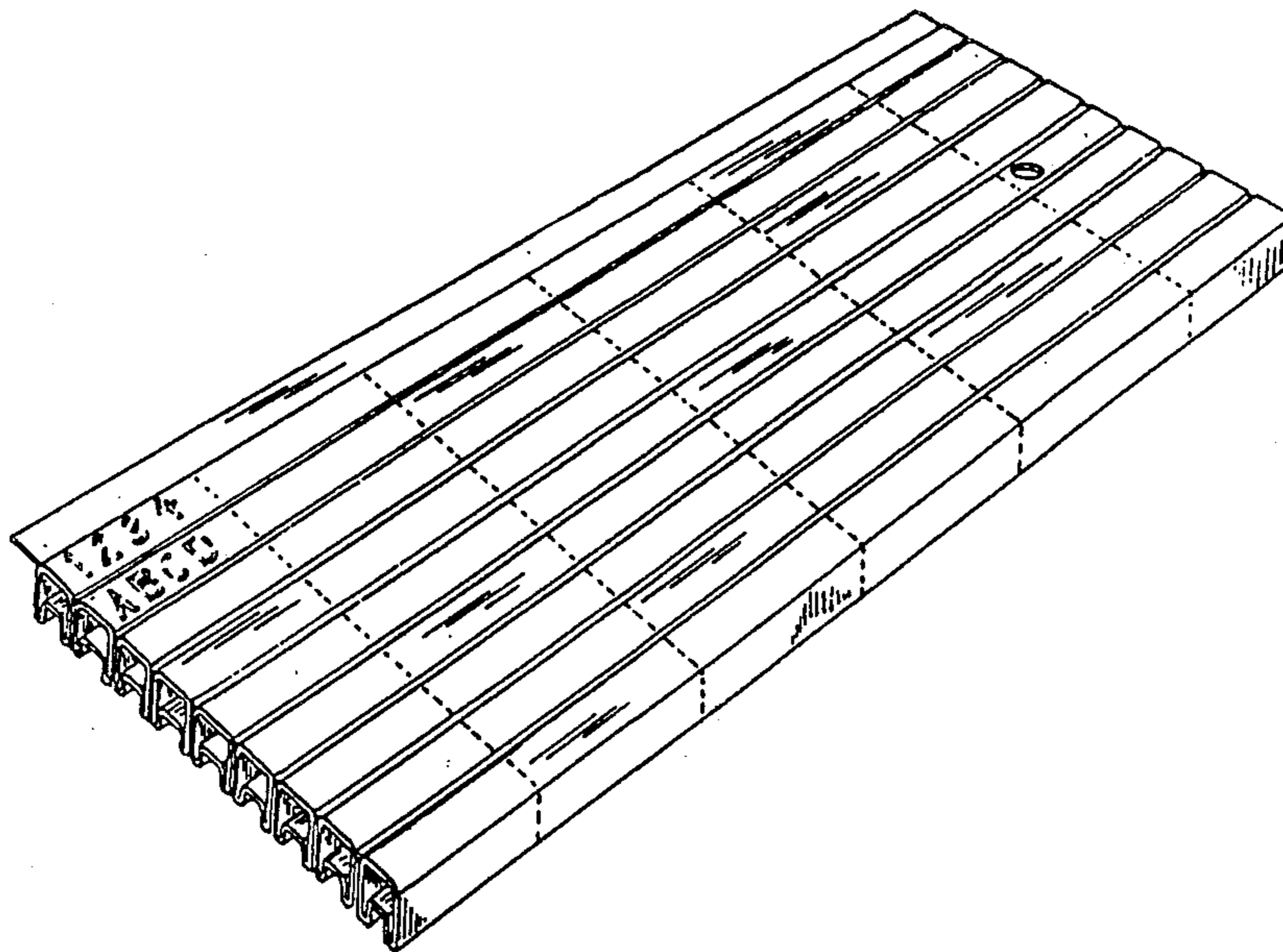


FIG 1

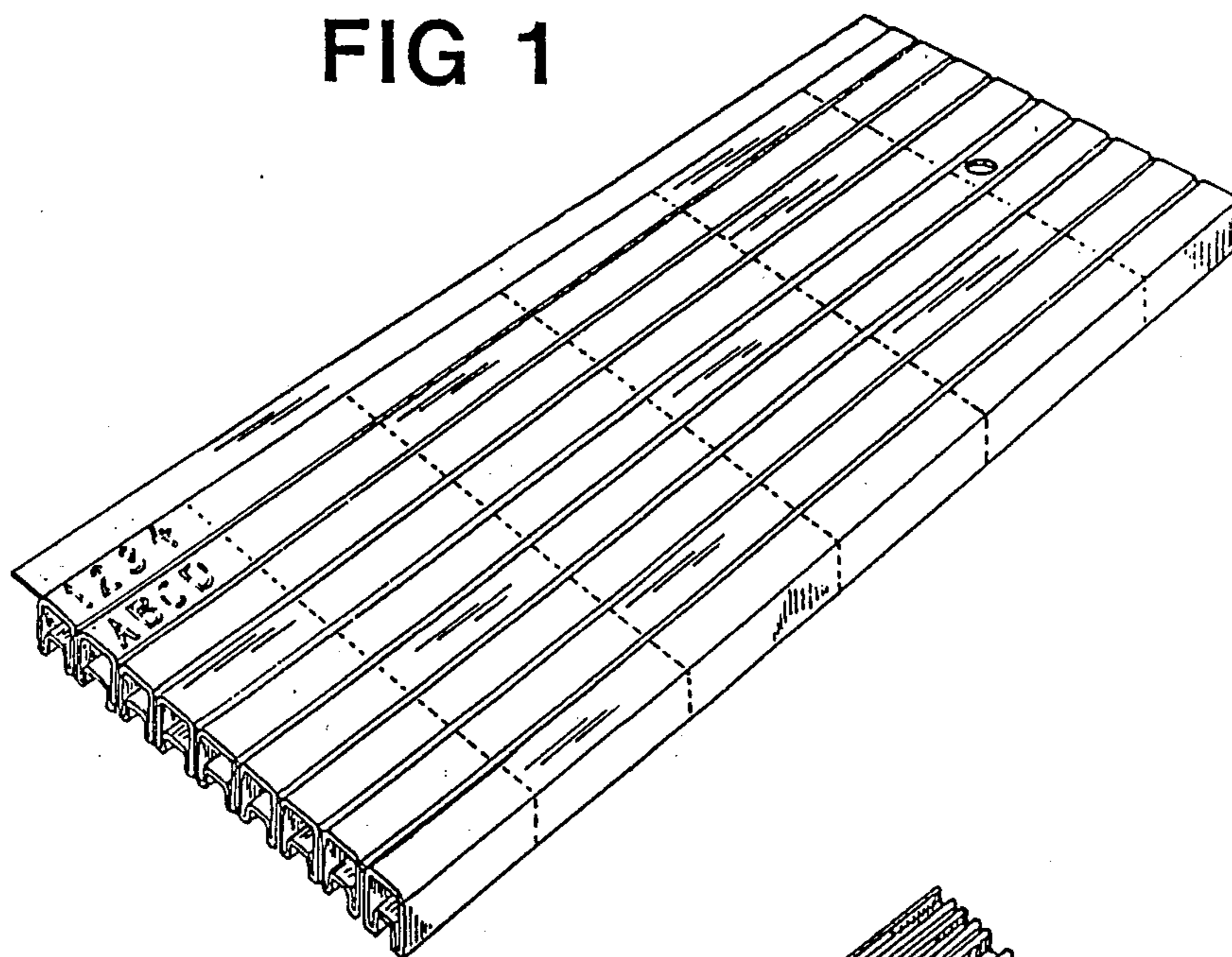


FIG 2

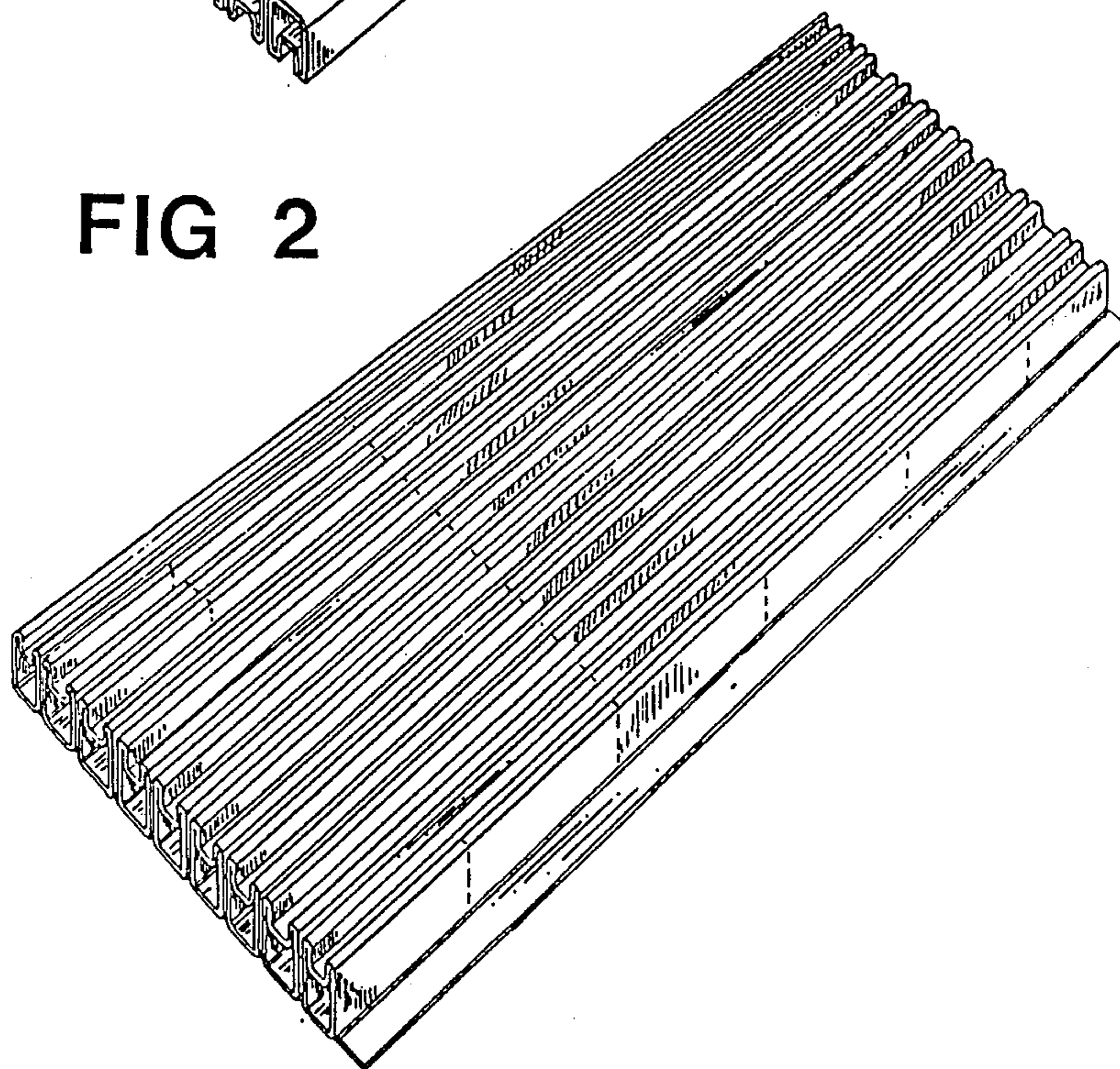


FIG 3

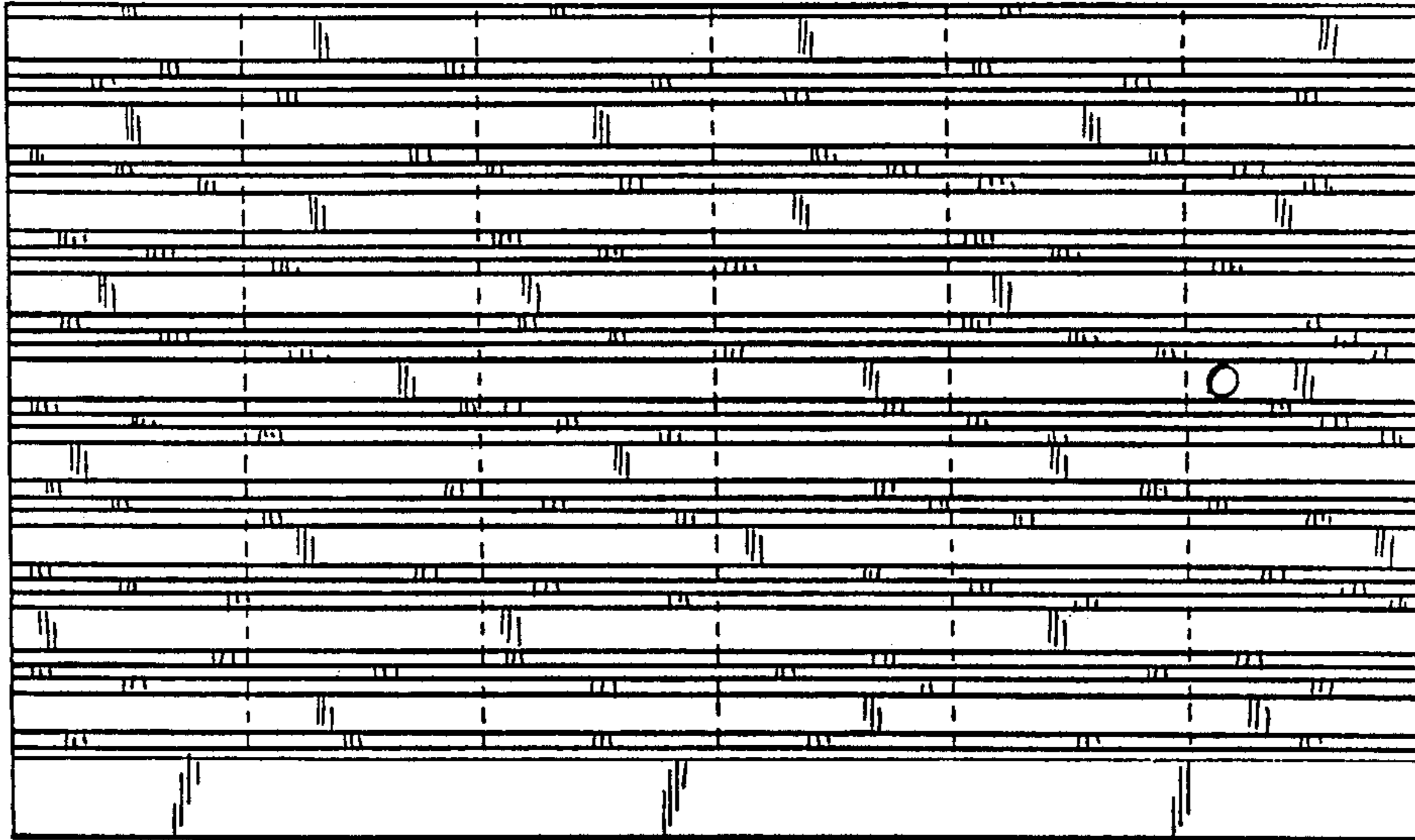


FIG 4

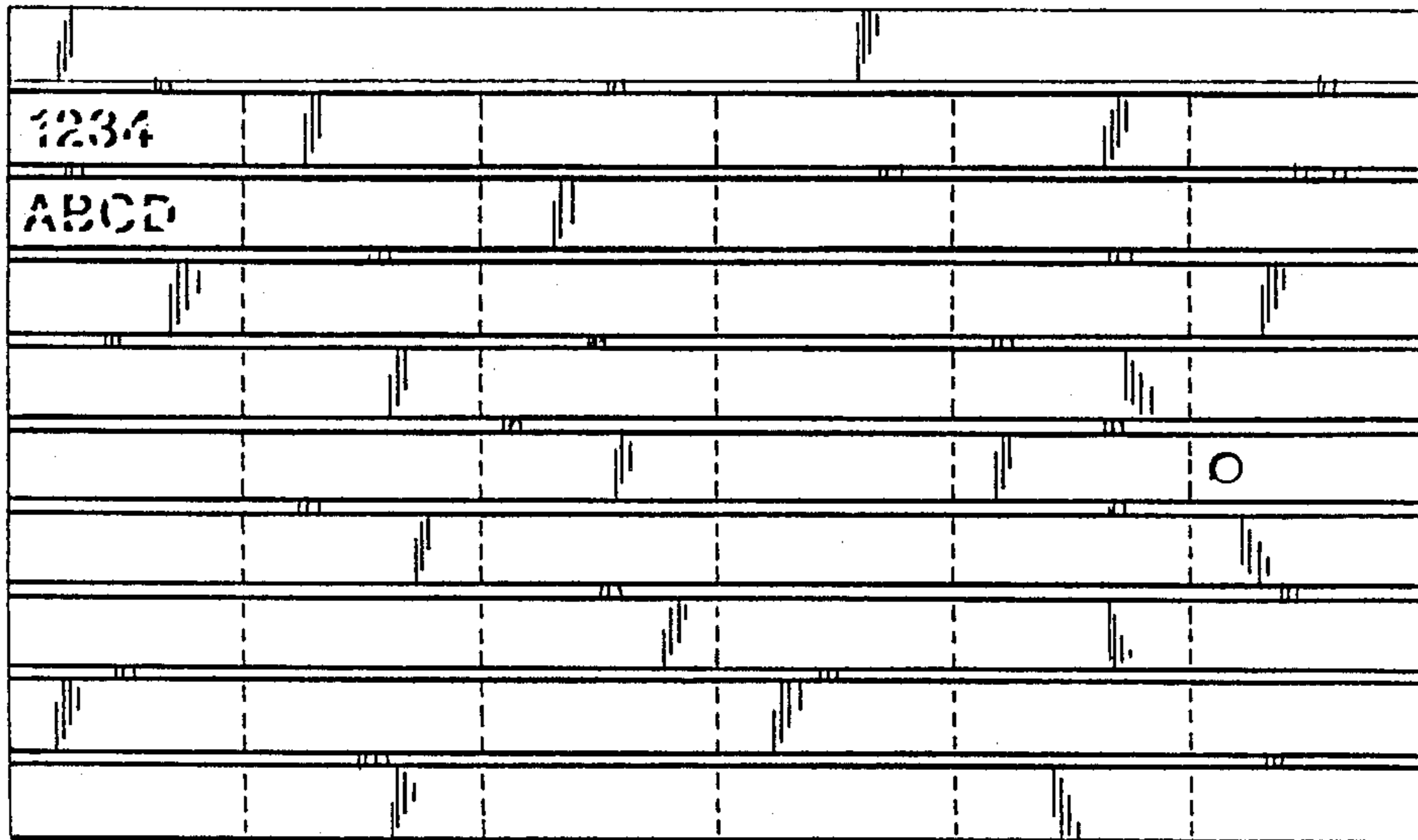


FIG 5



FIG 6



FIG 7

