

[54] INK RIBBON CARTRIDGE

[75] Inventor: Takayuki Fujita, Tokyo, Japan

[73] Assignee: Kabushiki Kaisha Toshiba, Tokyo, Japan

[**] Term: 14 Years

[21] Appl. No.: 29,594

[22] Filed: Mar. 24, 1987

[30] Foreign Application Priority Data

Oct. 20, 1986 [JP] Japan 61-41295

[52] U.S. Cl. D18/12

[58] Field of Search D18/12, 22, 23, 99; 400/196.1, 207, 208

[56] References Cited

U.S. PATENT DOCUMENTS

- D. 247,325 2/1978 Trezise D18/12
- D. 284,978 8/1986 Kusabuka D18/22
- D. 285,576 9/1986 LaSpesa D18/22
- D. 286,057 10/1986 Tamada et al. .
- D. 286,058 10/1986 Yamamoto .
- 3,941,231 3/1976 Matuck et al. 400/196.1

- 3,989,132 11/1976 Carson, Jr. 400/196.1 X
- 4,213,715 7/1980 Haftmann et al. 400/207 X
- 4,407,593 10/1983 Haftmann 400/208
- 4,448,556 5/1984 Trezise et al. 400/208
- 4,582,439 4/1986 LaSpesa 400/196.1

FOREIGN PATENT DOCUMENTS

52739 1/1985 Rep. of Korea .

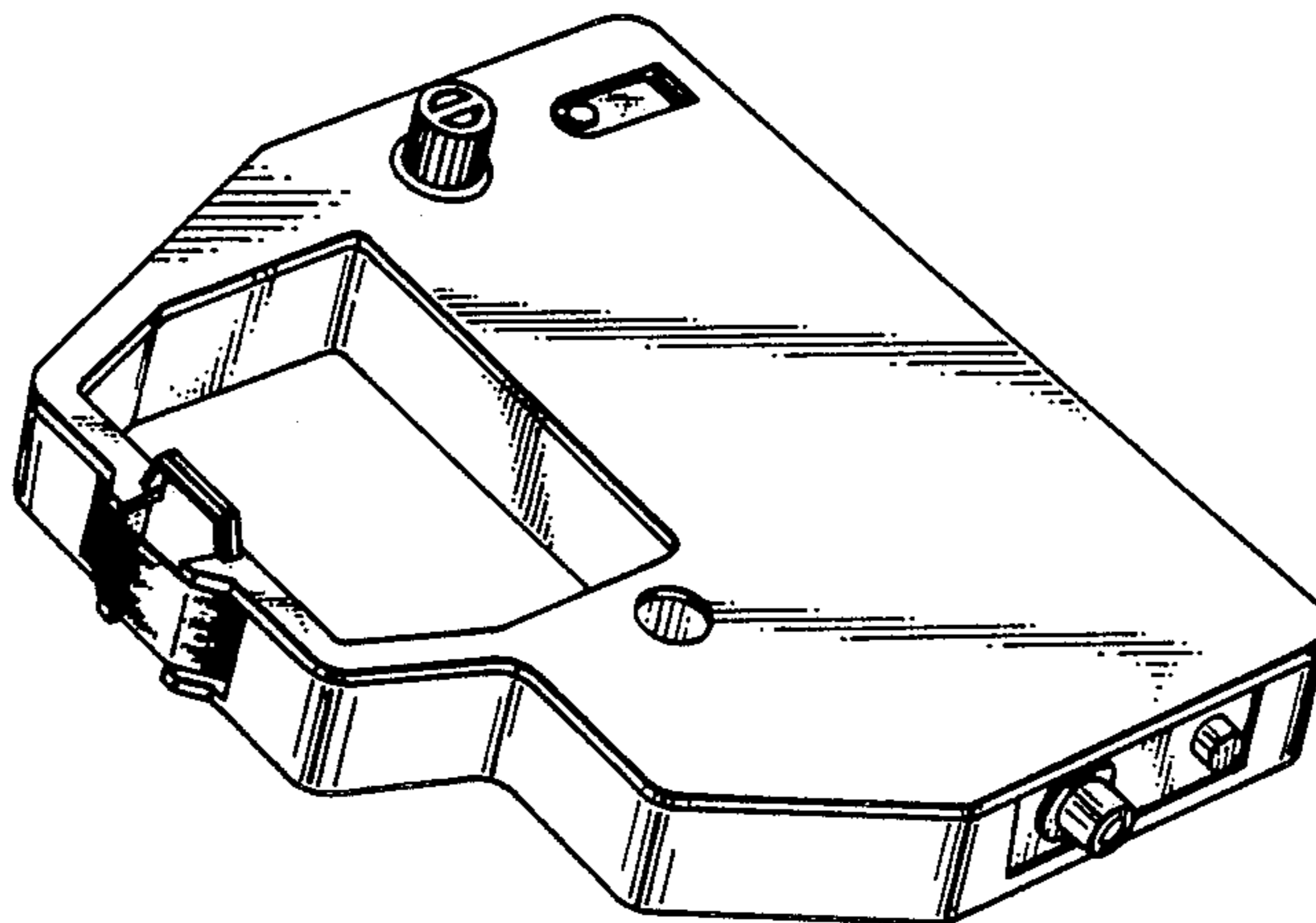
Primary Examiner—James R. Largent
Attorney, Agent, or Firm—Banner, Birch, McKie & Beckett

[57] CLAIM

The ornamental design for an ink ribbon cartridge, as shown.

DESCRIPTION

FIG. 1 is a front, top and right side perspective view of an ink ribbon cartridge showing my new design, FIG. 2 is a top plan view thereof, FIG. 3 is a bottom plan view thereof, FIG. 4 is a front elevational view thereof, FIG. 5 is a rear elevational view thereof, FIG. 6 is a left side elevational view thereof, and FIG. 7 is a right side elevational view thereof.



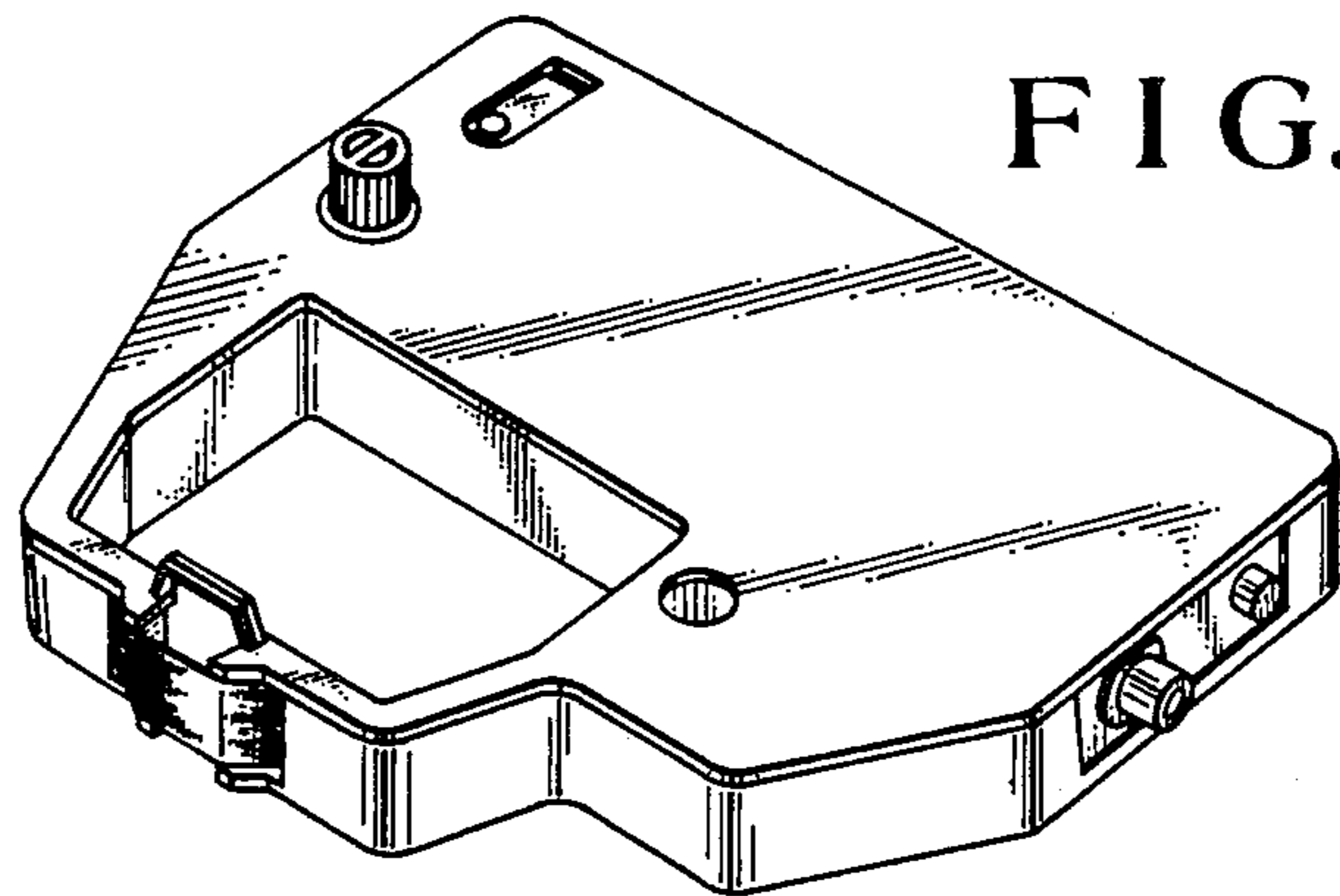


FIG. 1

FIG. 2

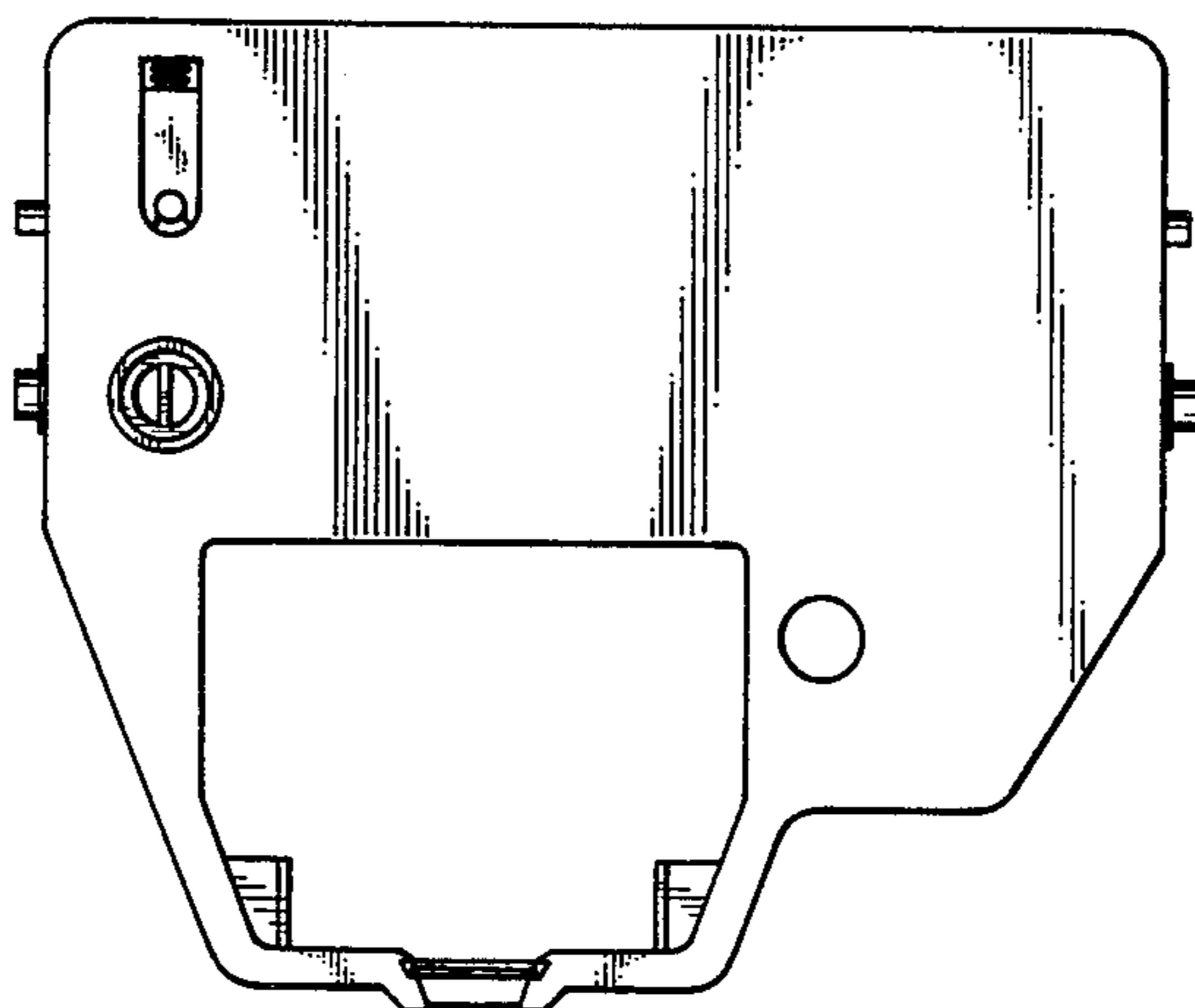


FIG. 3

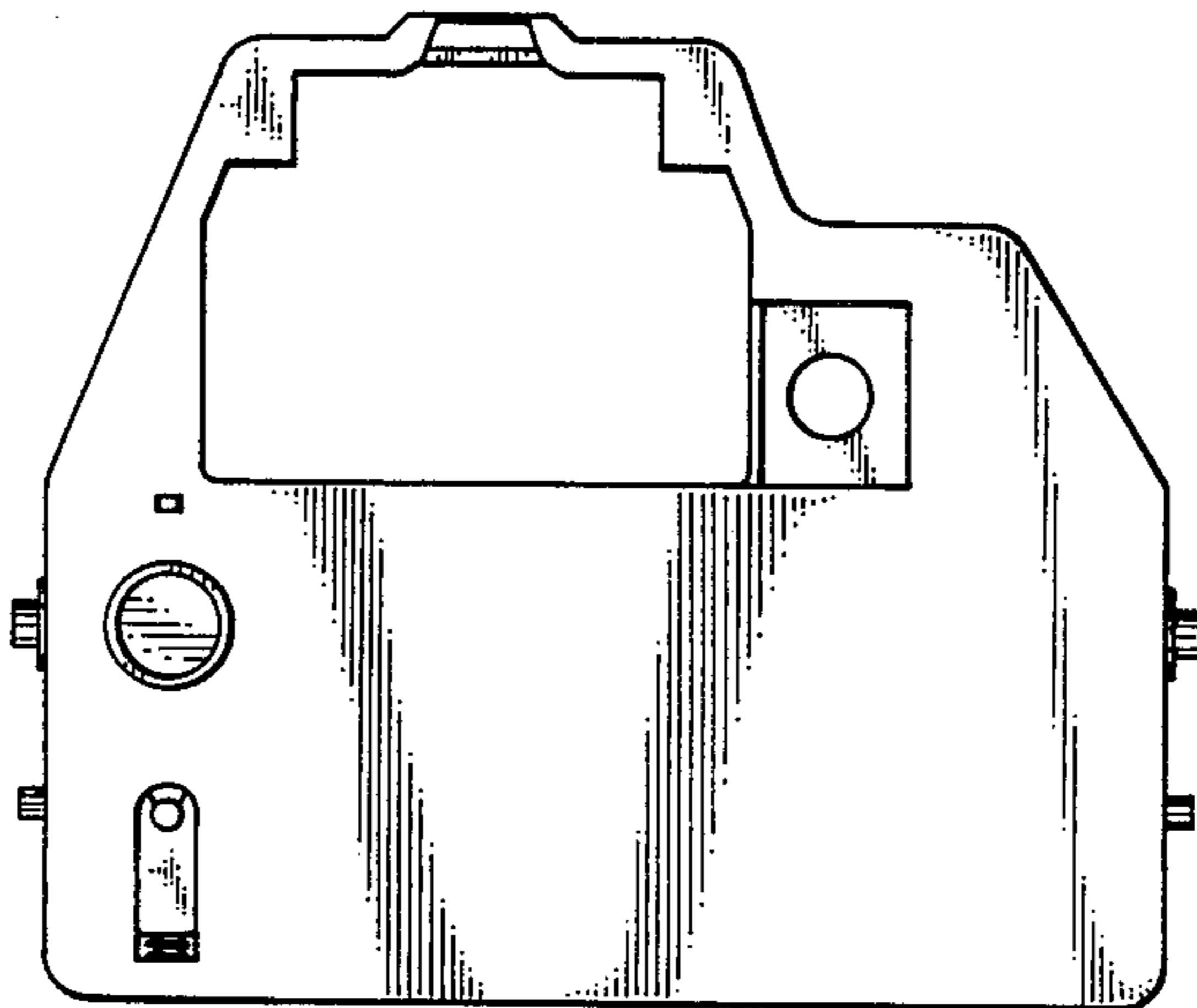


FIG. 4

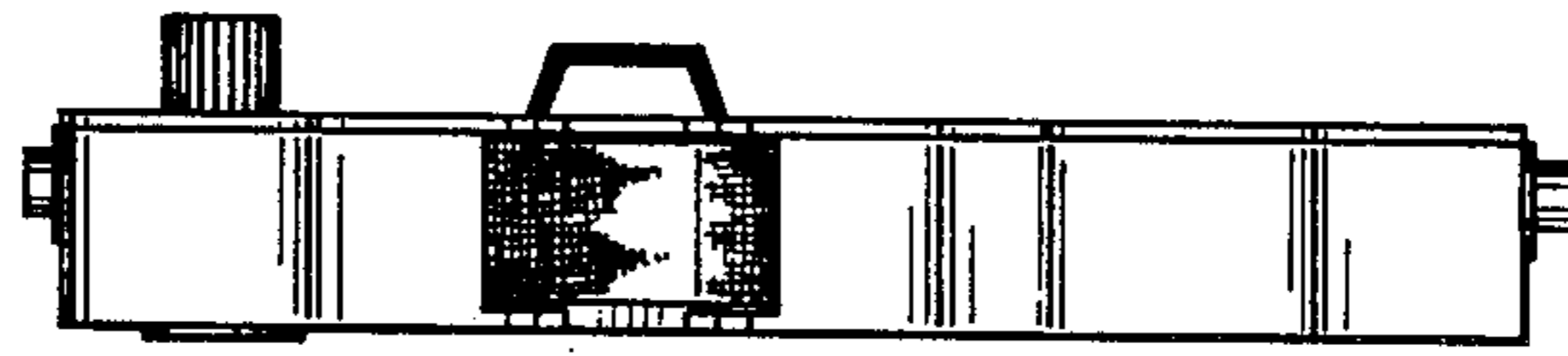


FIG. 5

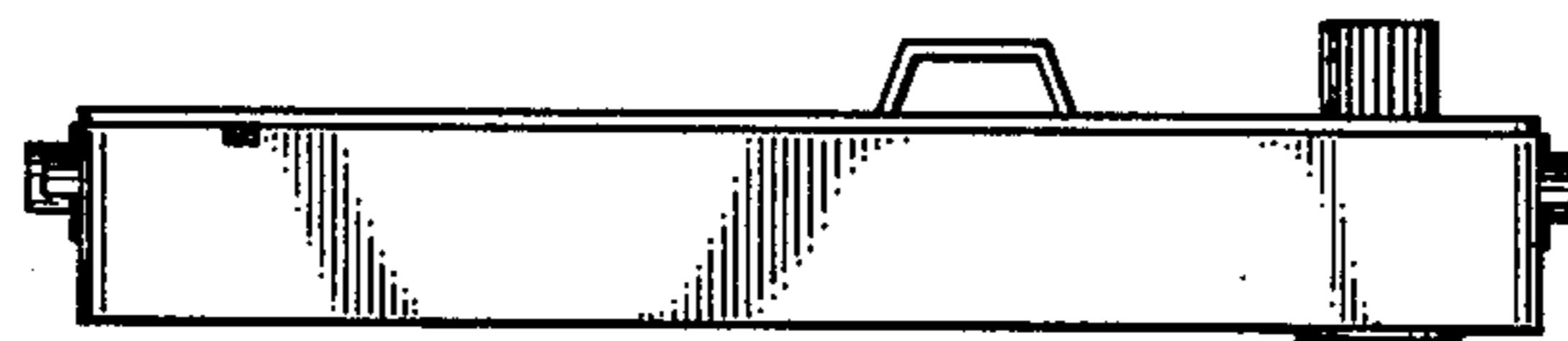


FIG. 6

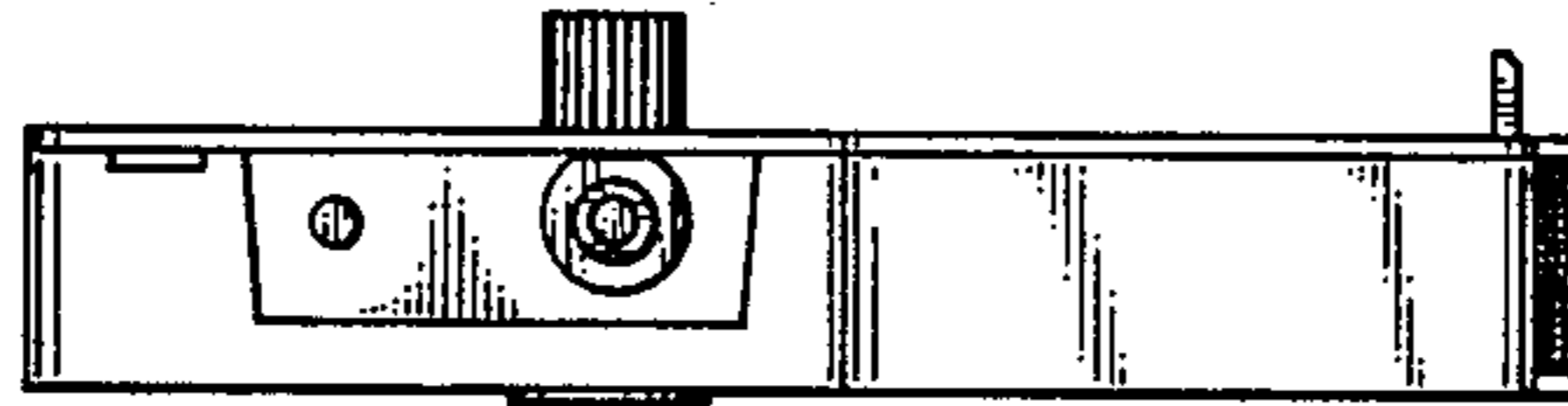


FIG. 7

