

[54] CASH REGISTER OR SIMILAR ARTICLE

4,276,598 6/1981 Inoue ..... 364/405  
4,312,037 1/1982 Yamakita ..... 364/405

[75] Inventors: Shuzo Kato, Hiratsuka; Asami Nemoto, Odawara, both of Japan

OTHER PUBLICATIONS

[73] Assignee: NCR Corporation, Dayton, Ohio

Office Products, Jan. 1979, p. 5.  
Office Products Dealer, Jul. 1981, p. 4.  
Office Products Dealer, Feb. 1982, p. 5.  
Design 440, Aug. 1985, p. 46.

[\*\*] Term: 14 Years

Primary Examiner—James R. Largen  
Attorney, Agent, or Firm—Wilbert Hawk, Jr.; Albert L. Sessler, Jr.; George J. Muckenthaler

[21] Appl. No.: 101,350

[22] Filed: Sep. 25, 1987

[30] Foreign Application Priority Data

Apr. 30, 1987 [JP] Japan ..... 62-16662

[52] U.S. Cl. .... D18/4

[58] Field of Search ..... D18/2-5;  
364/304, 305; 235/1 D, 7 R, 380-383

[57] CLAIM

The ornamental design for a cash register or similar article, as shown and described.

[56] References Cited

DESCRIPTION

U.S. PATENT DOCUMENTS

- D. 234,266 2/1975 Merino et al. .... D18/4
- D. 261,003 9/1981 Jinbo et al. .... D18/4
- D. 269,441 6/1983 Matsuda et al. .... D18/4
- D. 276,919 12/1984 Sakamoto et al. .... D18/4
- D. 277,107 1/1985 Sakamoto et al. .... D18/4
- 4,084,238 4/1978 Masuo ..... 364/405
- 4,213,179 7/1980 Hamano et al. .... 364/405

FIG. 1 is a perspective view taken from the top, front and left side of a cash register or similar article showing our new design;  
FIG. 2 is a front elevational view thereof;  
FIG. 3 is a rear elevational view thereof;  
FIG. 4 is a right side elevational view thereof;  
FIG. 5 is a left side elevational view thereof; and  
FIG. 6 is a top plan view thereof.

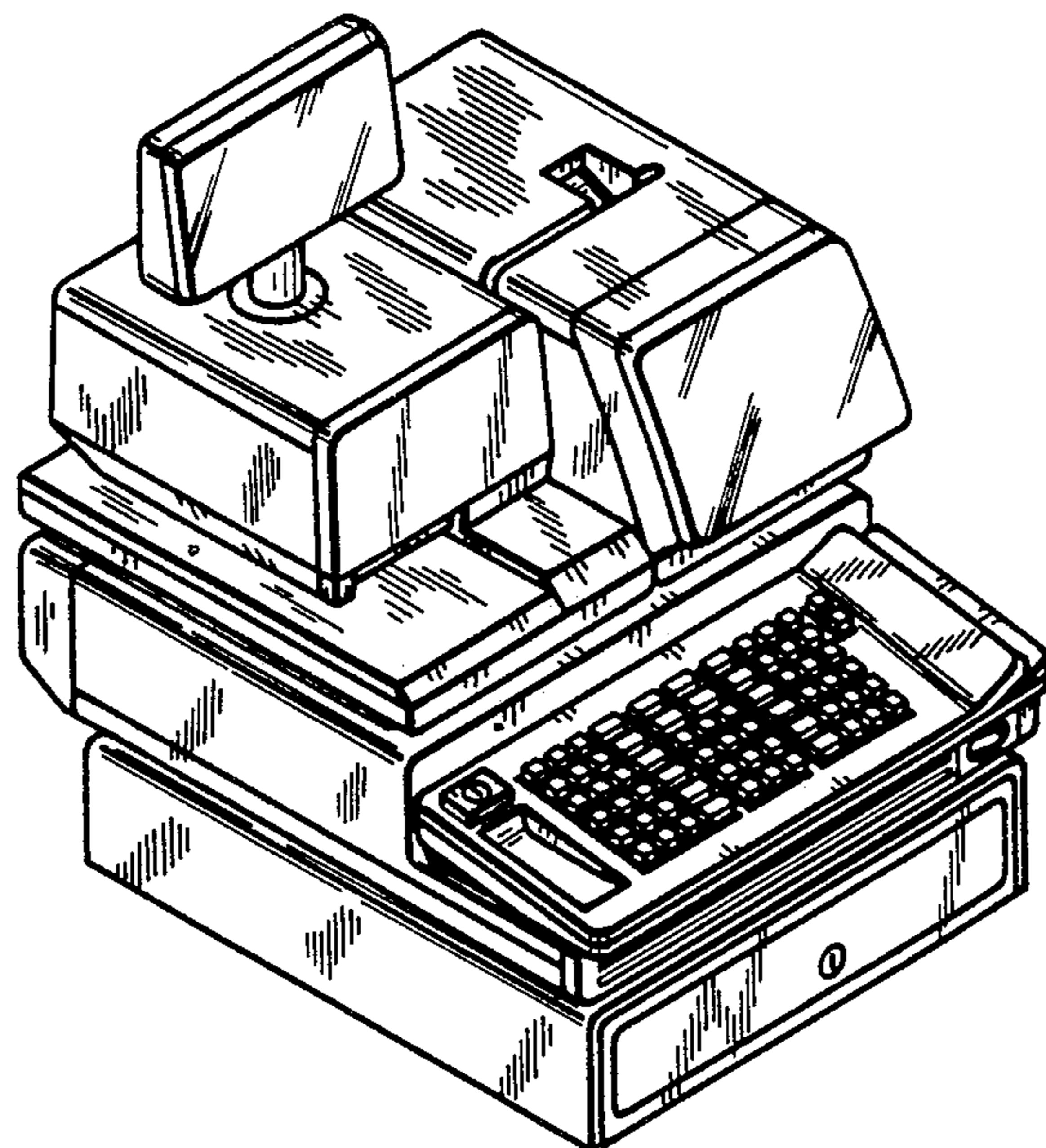


FIG. 1

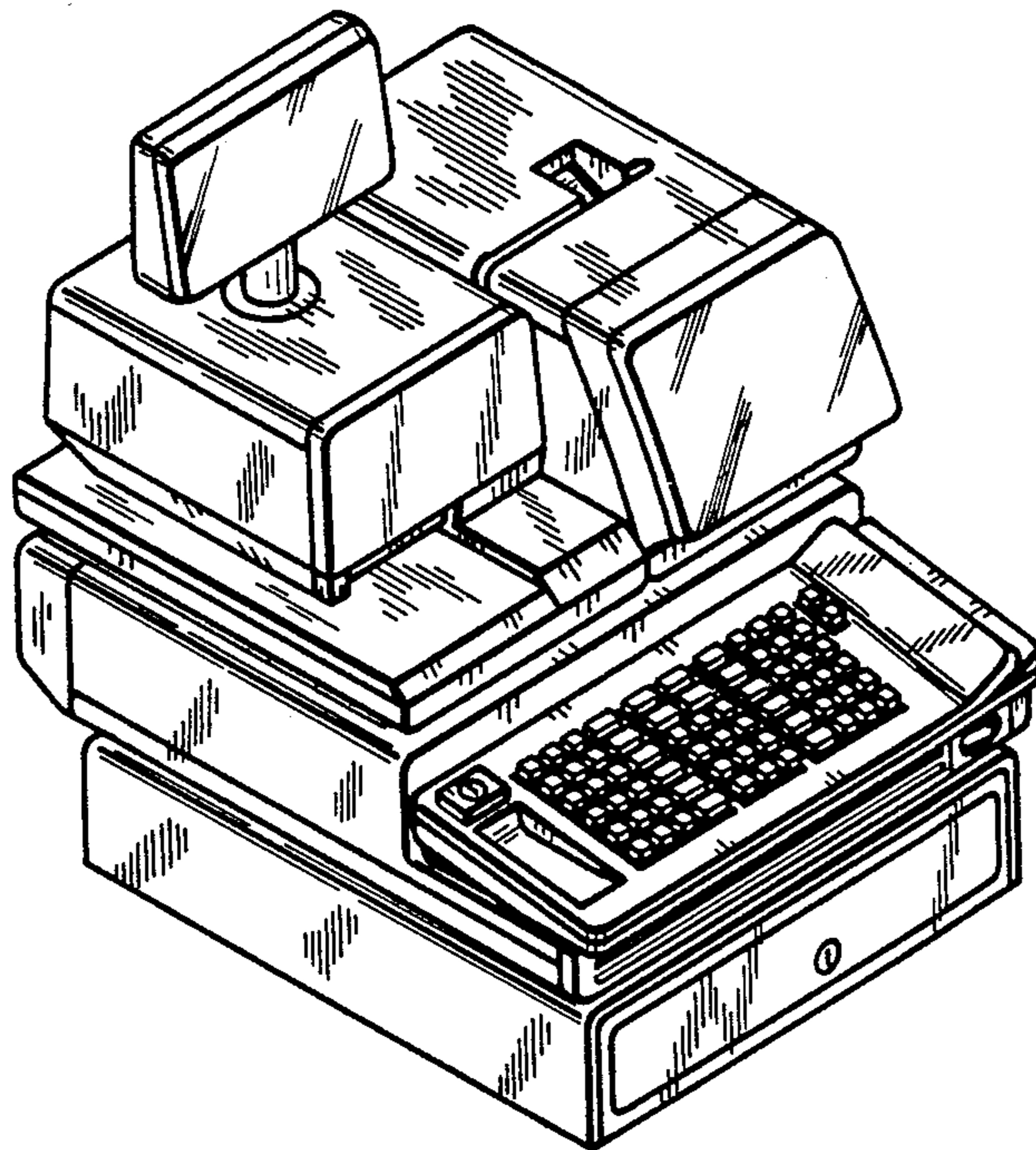


FIG. 2

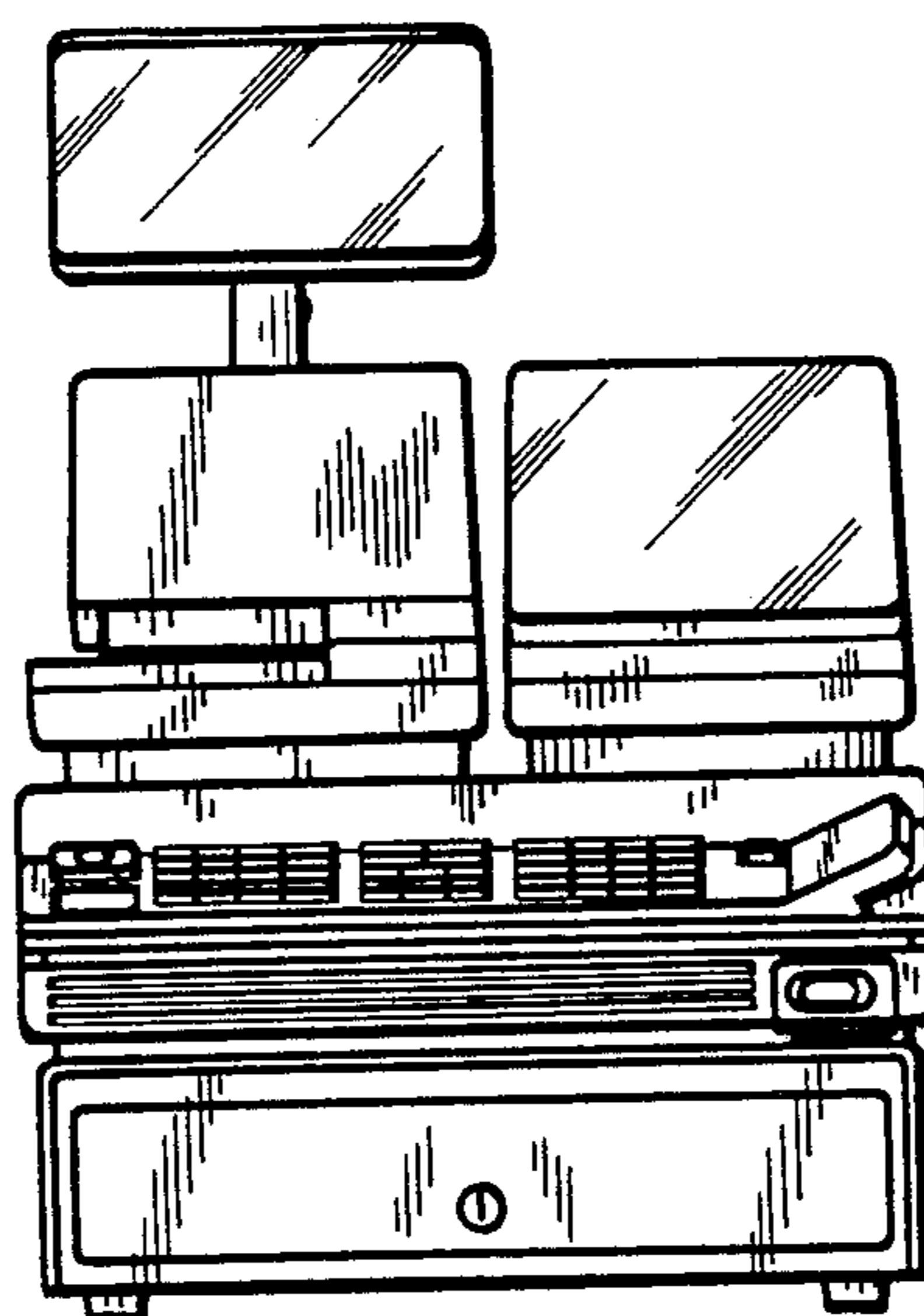


FIG. 3

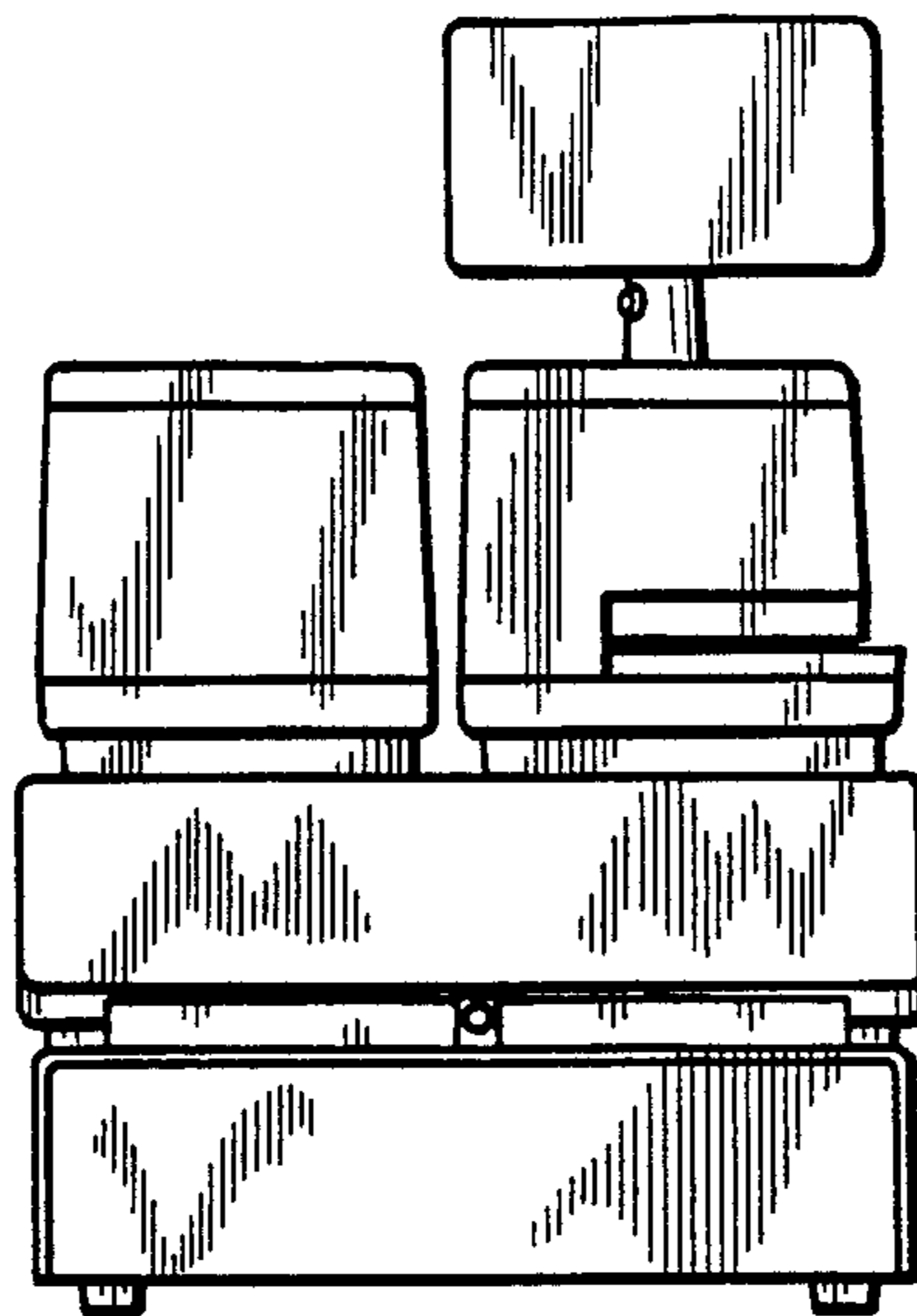
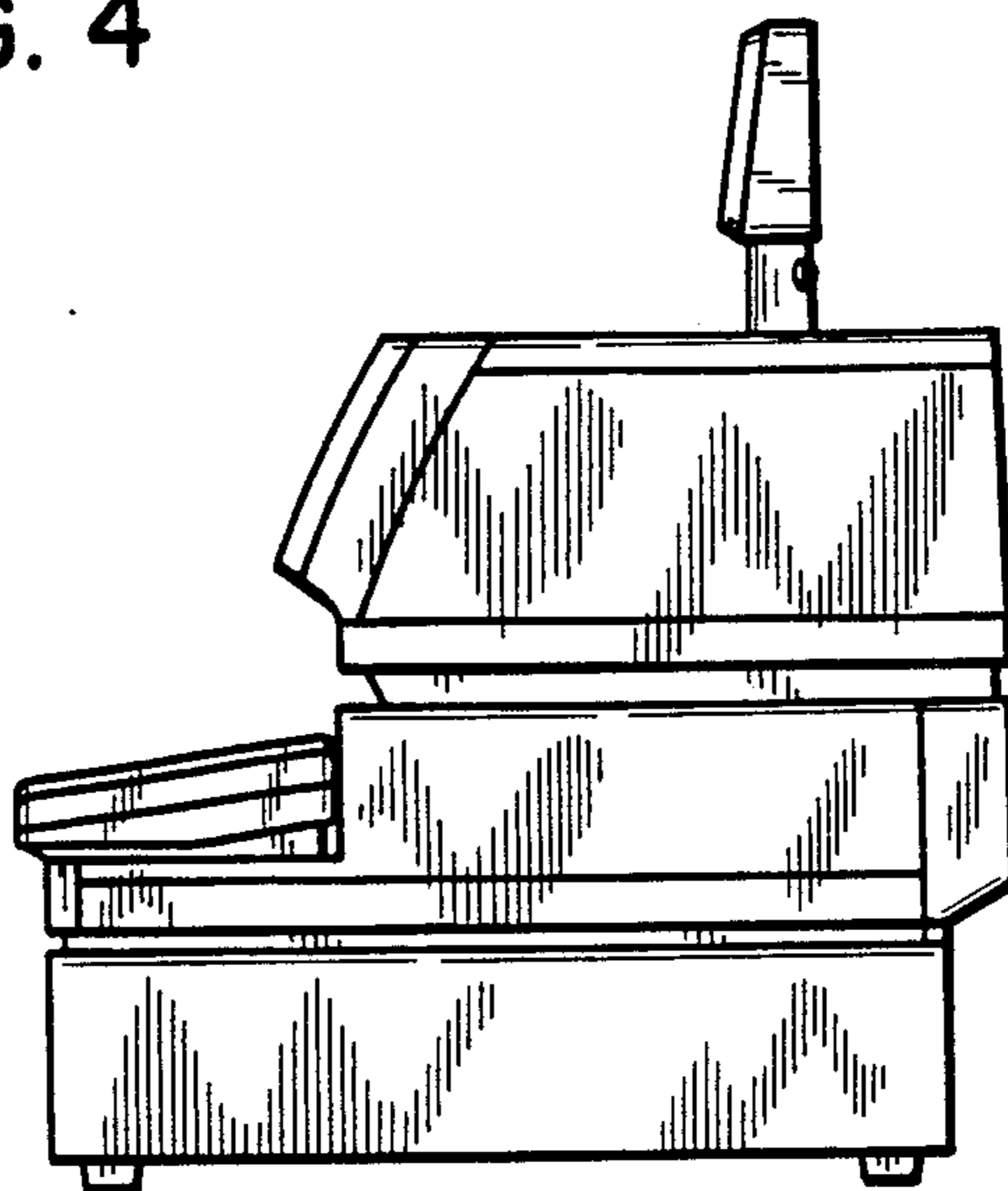


FIG. 4



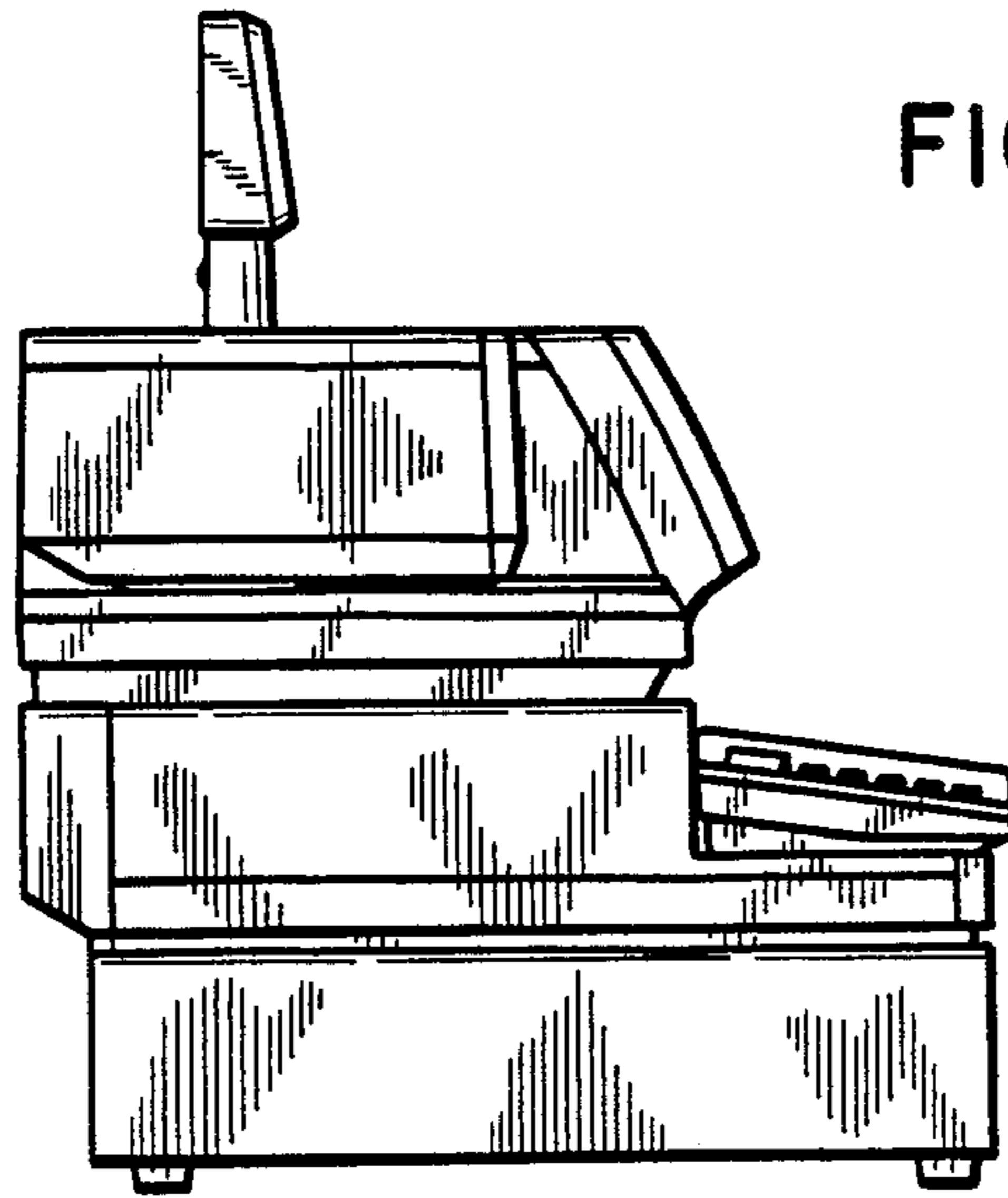


FIG. 5

FIG. 6

