

[54] COVER SIDE OF A FRICTION CLUTCH

[75] Inventor: Lothar Huber, Bühl-Altscheier, Fed. Rep. of Germany

[73] Assignee: Luk Lamellen und Kupplungsbau GmbH, Bühl, Fed. Rep. of Germany

[**] Term: 14 Years

[21] Appl. No.: 716,894

[22] Filed: Mar. 28, 1985

[30] Foreign Application Priority Data

Oct. 3, 1984 [DE] Fed. Rep. of Germany 5MRII/63-BH

[52] U.S. Cl. D15/148

[58] Field of Search D15/149, 148; 192/70.27, 70.28, 70.29

[56] References Cited

U.S. PATENT DOCUMENTS

4,450,945	5/1984	Caray	192/70.27
4,531,622	7/1985	Bacher et al.	192/70.28
4,579,207	4/1986	Uenohara et al.	192/70.28

Primary Examiner—B. J. Bullock
Attorney, Agent, or Firm—Peter K. Kontler

[57] CLAIM

The ornamental design for a cover side of a friction clutch, as shown.

DESCRIPTION

FIG. 1 is a front perspective view of the cover side of a friction clutch showing my new design; and FIG. 2 is a side elevational view thereof.

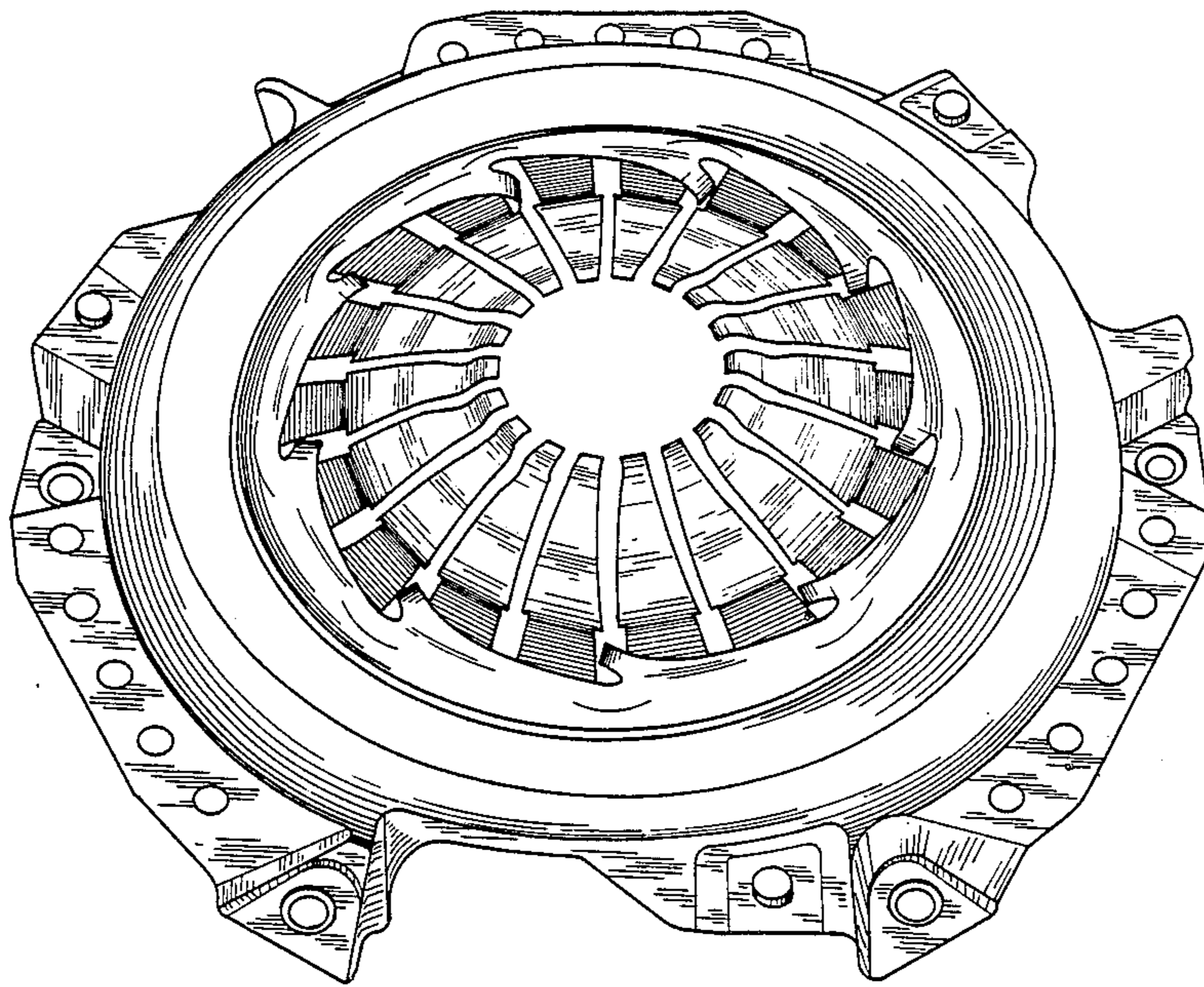


Fig. 1

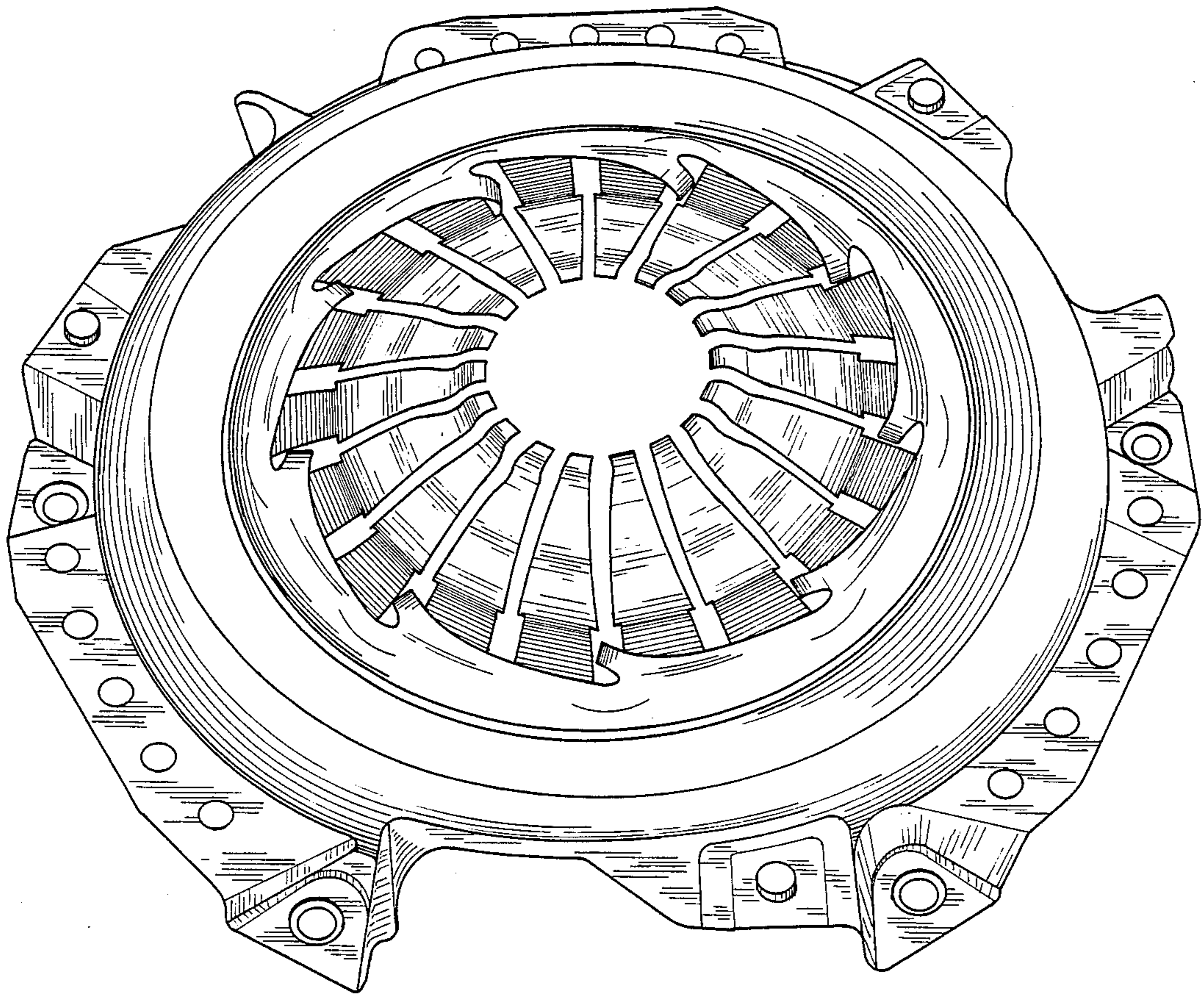


Fig. 2

