

[54] **LOUDSPEAKER GRILLE**  
[75] **Inventor: Murray I. C. Camens,**  
          's-Hertosgenbosch, Netherlands  
[73] **Assignee: U.S. Philips Corporation, New York,**  
          N.Y.

[\*\*] **Term: 14 Years**

[21] **Appl. No.: 833,457**

[22] **Filed: Feb. 14, 1986**

[30] **Foreign Application Priority Data**

Aug. 21, 1985 [GB] United Kingdom ..... 1028733  
[52] **U.S. Cl. .... D14/219; D14/216**  
[58] **Field of Search .... D14/30, 31, 32, 33,**  
          D14/34, 99; 181/148, 150, 157, 199

[56] **References Cited**

**U.S. PATENT DOCUMENTS**

D. 276,045 10/1984 Kawachi ..... D14/30

D. 280,817 10/1985 Ohtsuji ..... D14/34 X  
D. 281,067 10/1985 Katsuno ..... D14/34 X  
D. 283,125 3/1986 Davidson ..... D14/34 X  
D. 288,807 3/1987 Hlavaty ..... D14/33 X  
4,277,653 7/1981 Pawelzick ..... 181/150 X

*Primary Examiner*—Bernard Ansher  
*Assistant Examiner*—Theodore M. Shooman

[57] **CLAIM**

The ornamental design for a loudspeaker grille, as shown.

**DESCRIPTION**

FIG. 1 is a front, and right side perspective view of a loudspeaker grille showing my new design;  
FIG. 2 is a front elevational view thereof;  
FIG. 3 is a rear elevational view thereof;  
FIG. 4 is a top plan view thereof;  
FIG. 5 is a bottom plan view thereof;  
FIG. 6 is a right side elevational view thereof;  
FIG. 7 is a left side elevational view thereof.

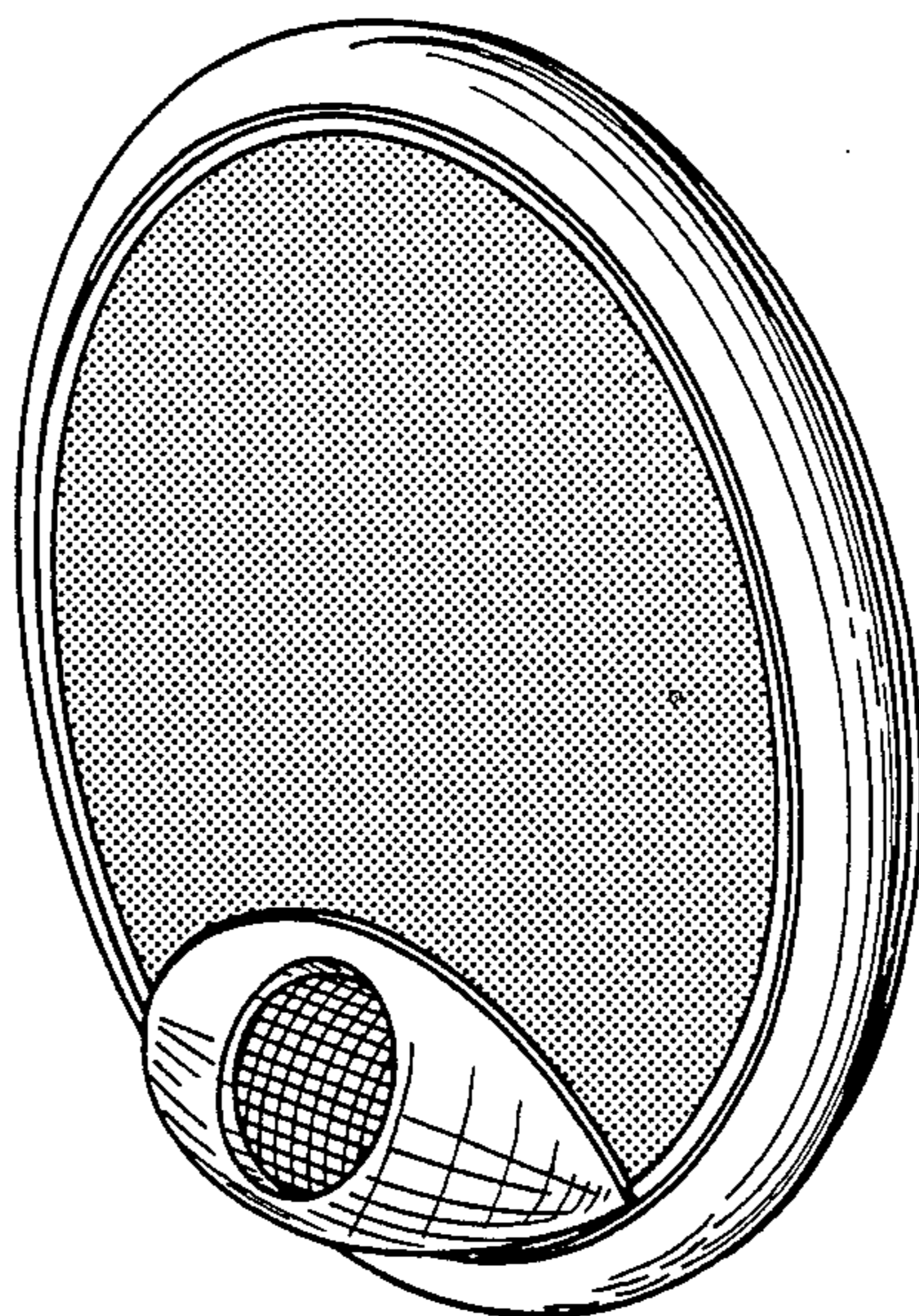
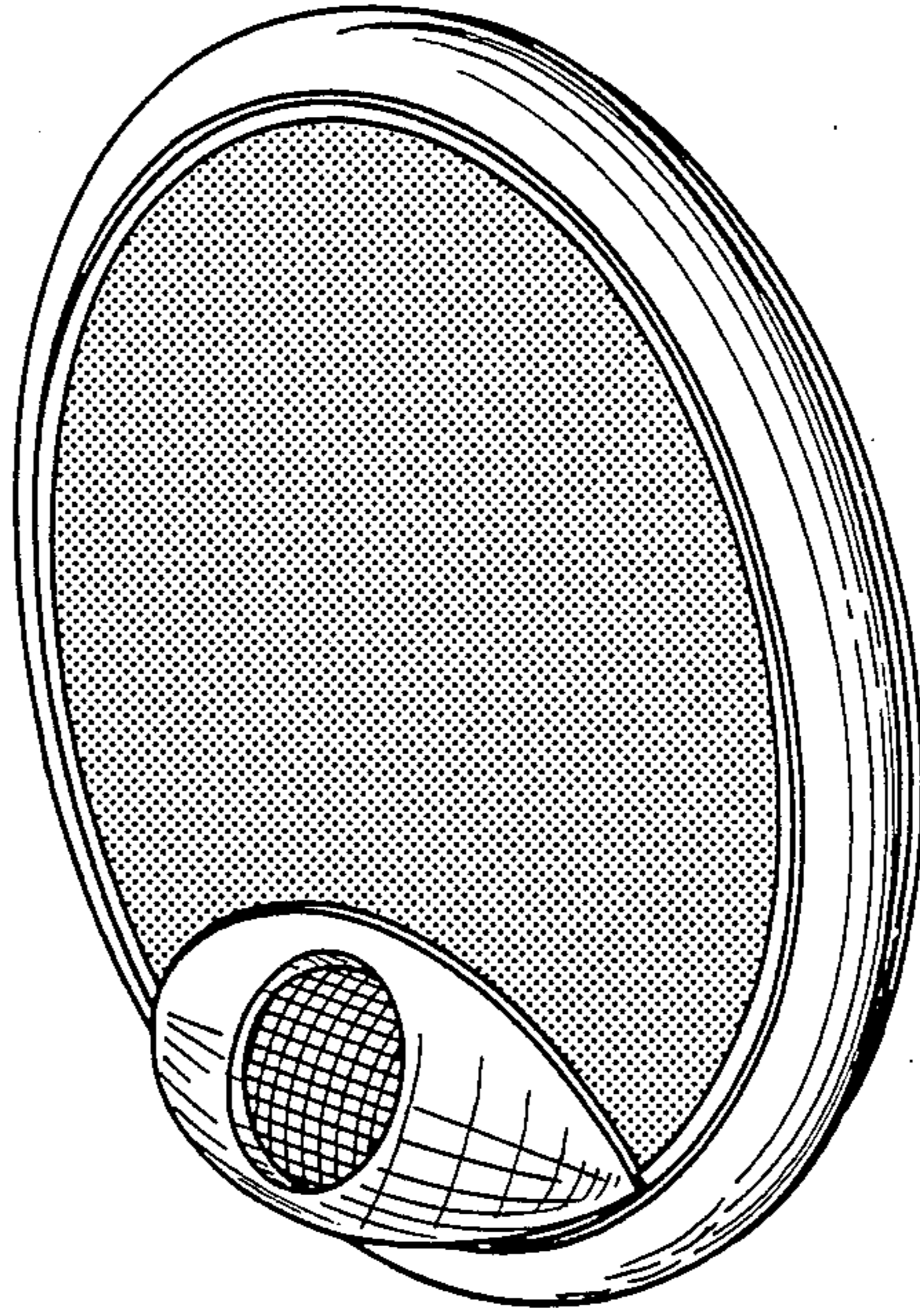


FIG. 1



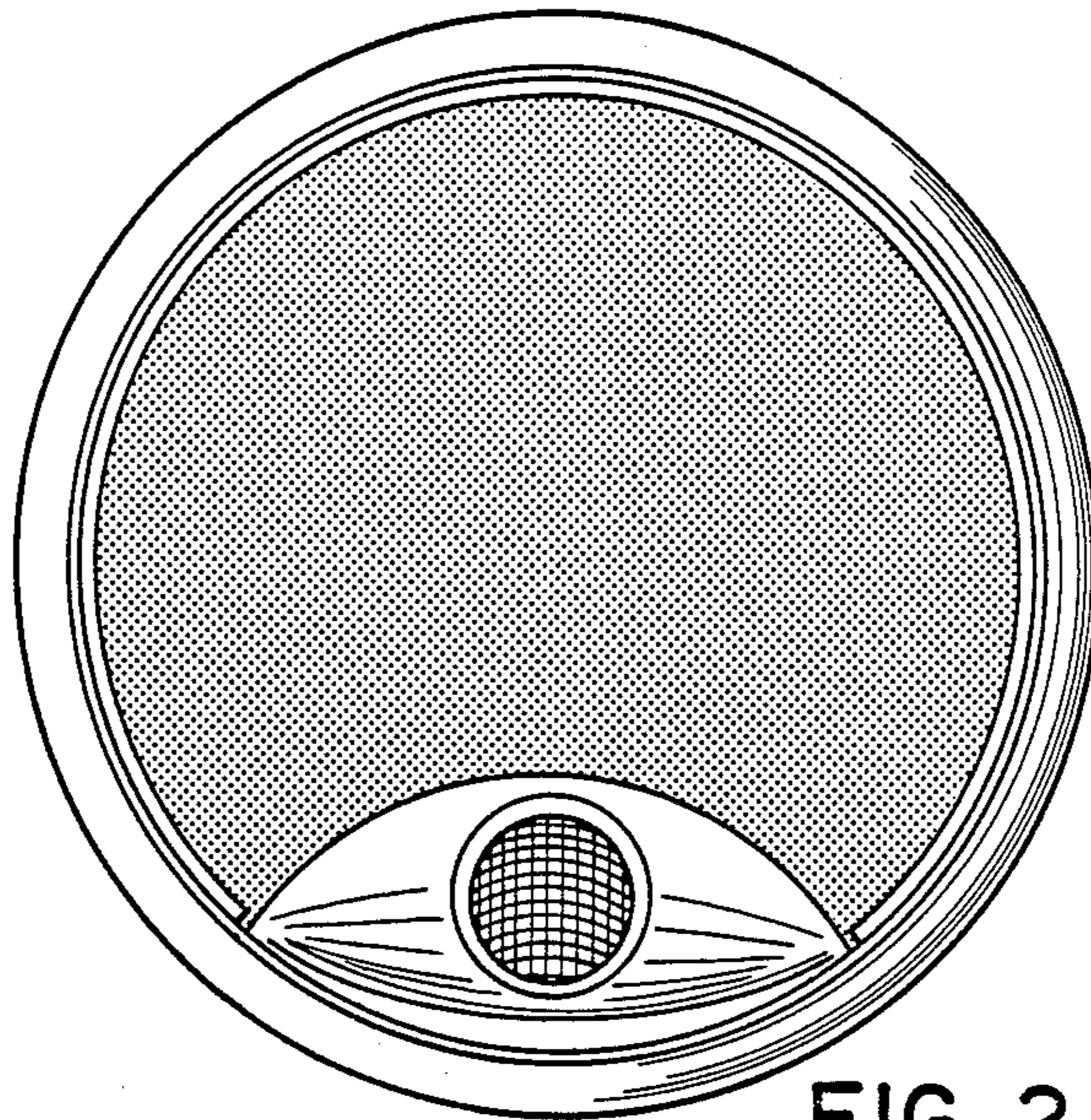


FIG. 2

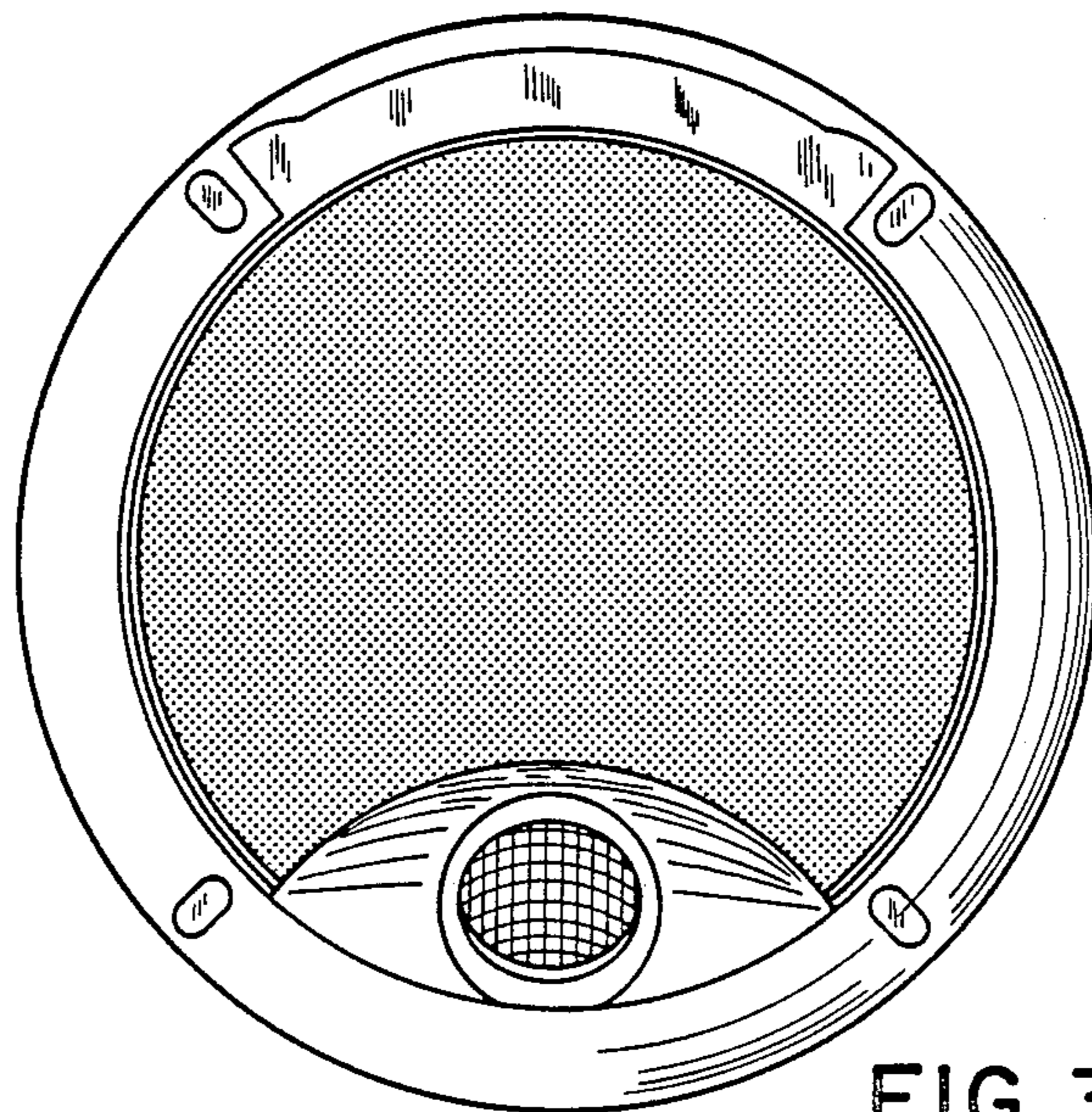


FIG. 3

FIG. 4

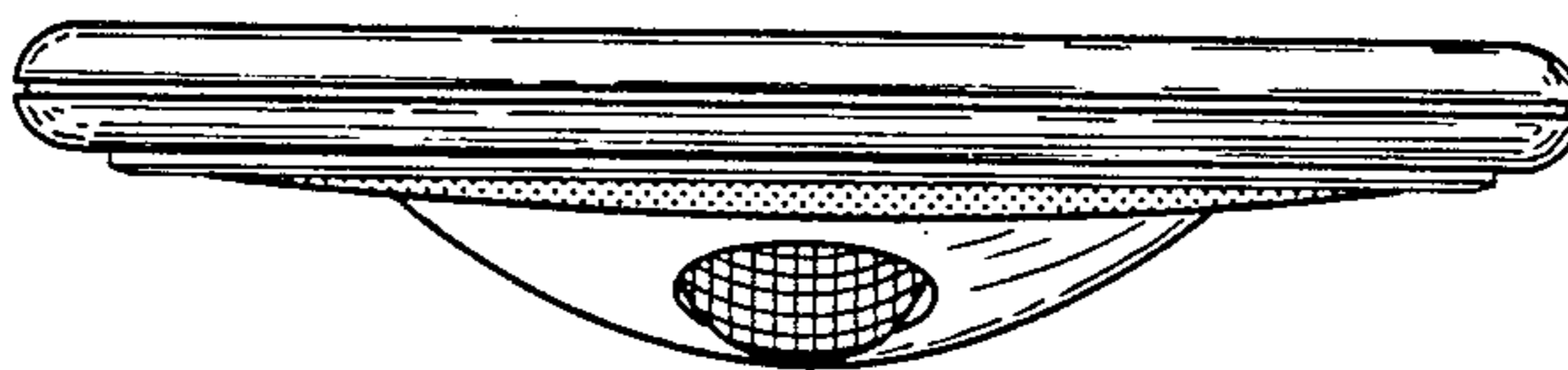


FIG. 5

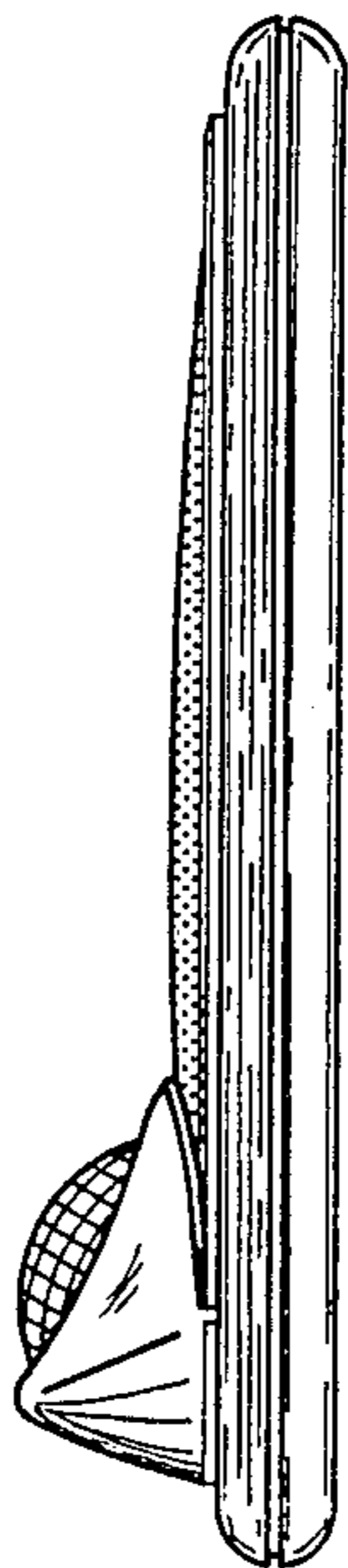
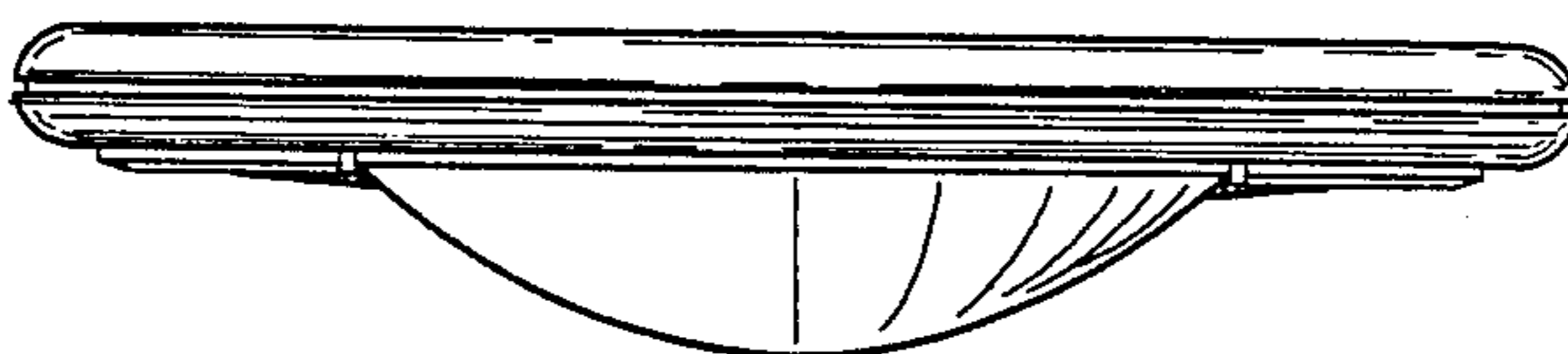


FIG. 6

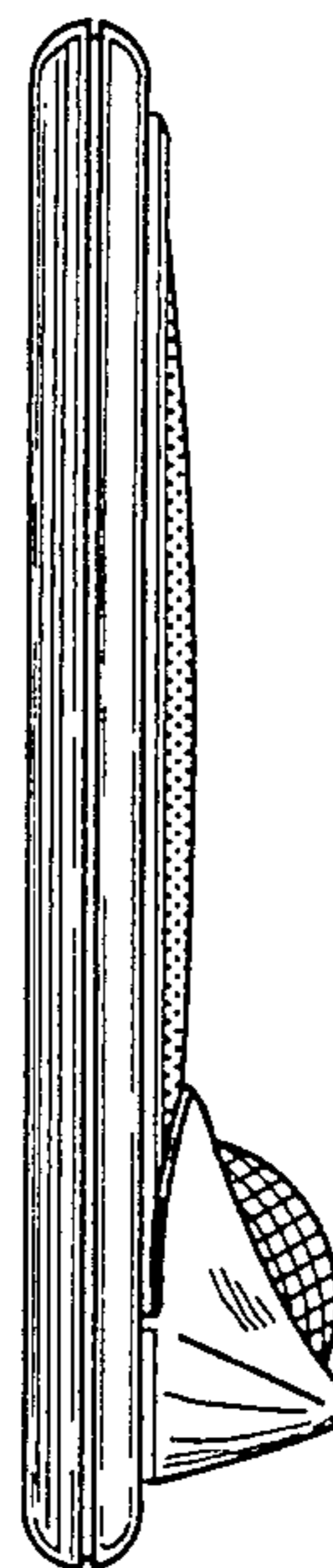


FIG. 7