

[54] LOUDSPEAKER

[75] Inventor: Richard K. Macaulay, Dayton, Ohio

[73] Assignee: Macaulay Acoustics, Inc., Dayton, Ohio

[**] Term: 14 Years

[21] Appl. No.: 850,879

[22] Filed: Apr. 7, 1986

[52] U.S. Cl. D14/210; D14/216

[58] Field of Search D14/204-216, D14/2191-224; 181/144, 148, 152, 153, 155, 157, 198, 199; 381/24, 86, 159, 182, 184, 185, 186, 188, 189, 205

[56] References Cited

U.S. PATENT DOCUMENTS

- D. 69,755 3/1926 Hawley D14/214
- D. 220,629 5/1971 Shimizu D14/214
- D. 223,255 4/1972 Boldt et al. D14/212

- D. 236,010 7/1975 Carroll D14/214
- D. 265,902 8/1982 Eberbach D14/212
- 3,371,742 3/1968 Norton et al. 181/153
- 4,365,688 12/1982 Blose 181/199 X

Primary Examiner—Bernard Ansher
Assistant Examiner—Theodore M. Shooman
Attorney, Agent, or Firm—Killworth, Gottman, Hagan & Schaeff

[57] CLAIM

The ornamental design for a loudspeaker, as shown and described.

DESCRIPTION

FIG. 1 is a top and front perspective view of a loudspeaker showing my new design;
FIG. 2 is a right side elevational view thereof, the left side being a mirror image;
FIG. 3 is a top plan view thereof;
FIG. 4 is a front elevational view thereof;
FIG. 5 is a rear elevational view thereof; and
FIG. 6 is a bottom plan view thereof.

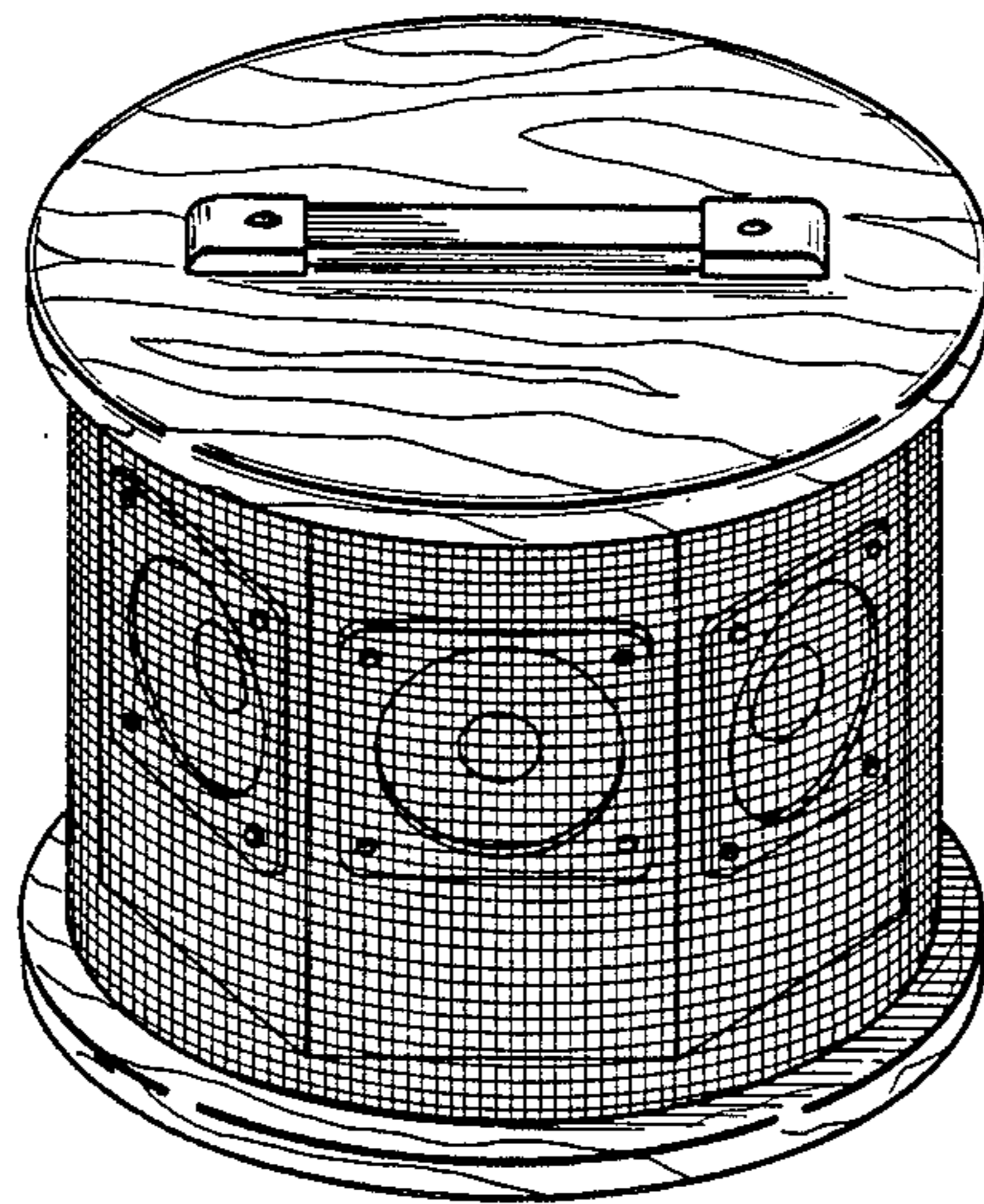


FIG-1

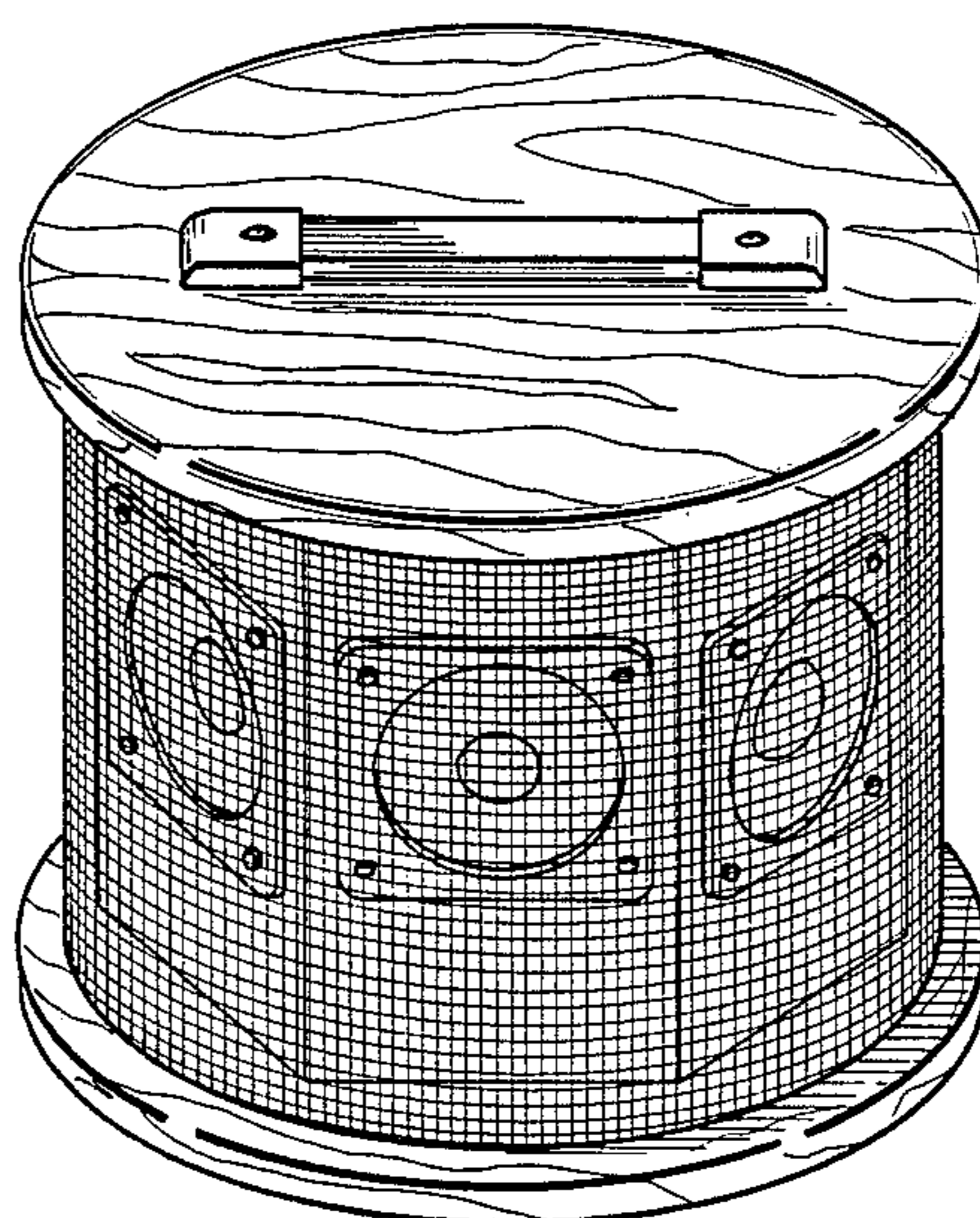


FIG-2

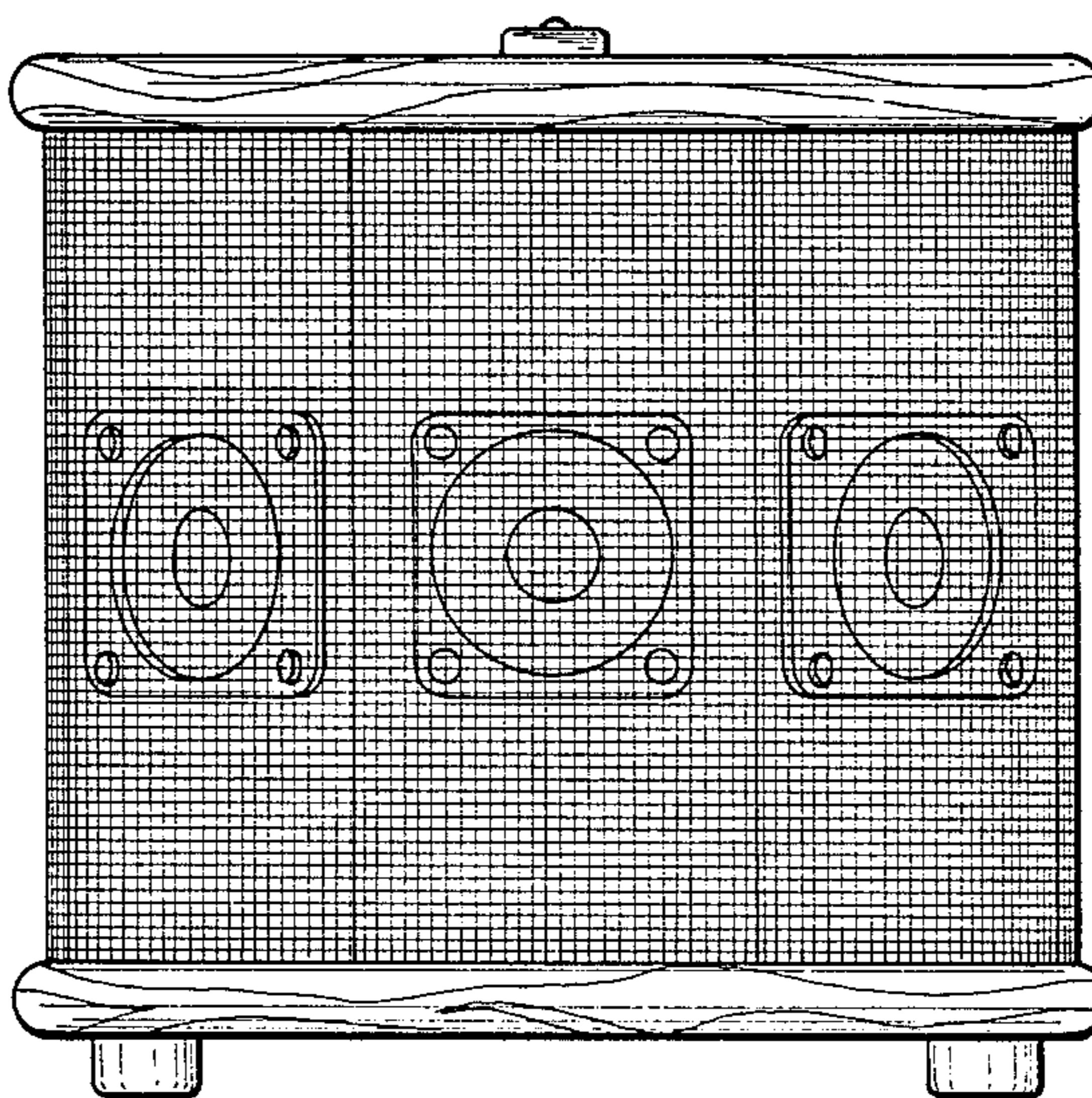


FIG-3

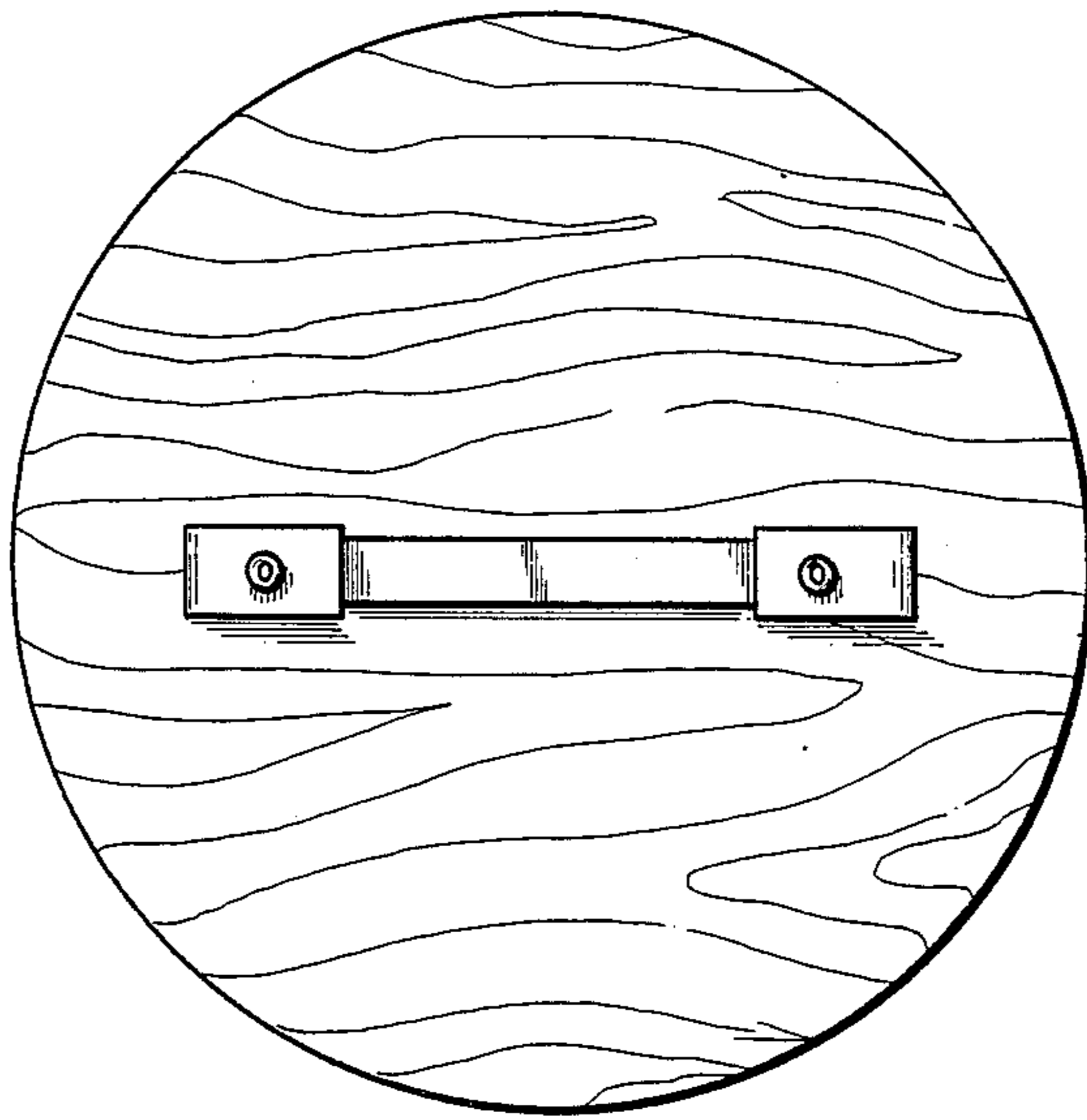


FIG-4

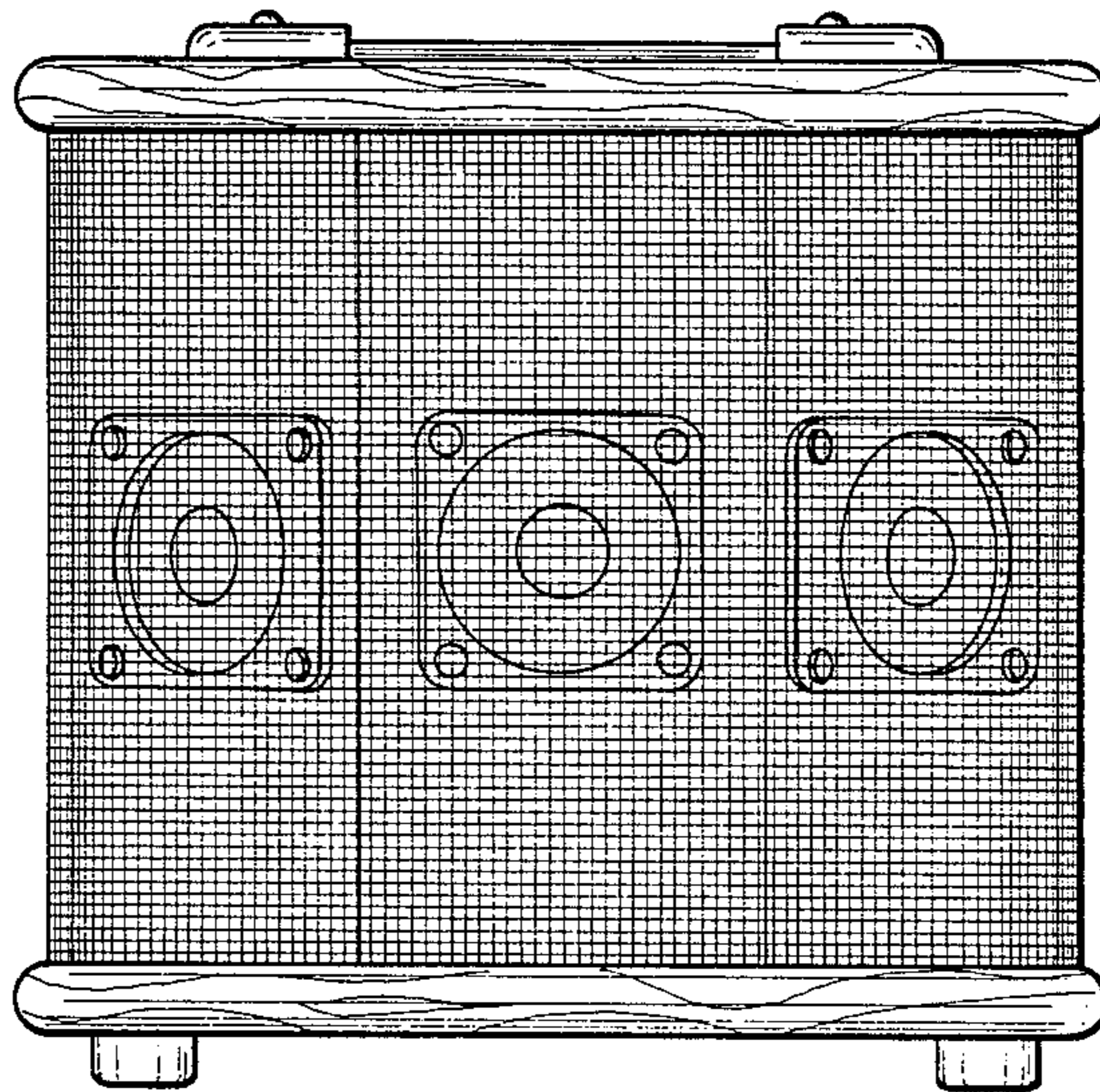


FIG-5

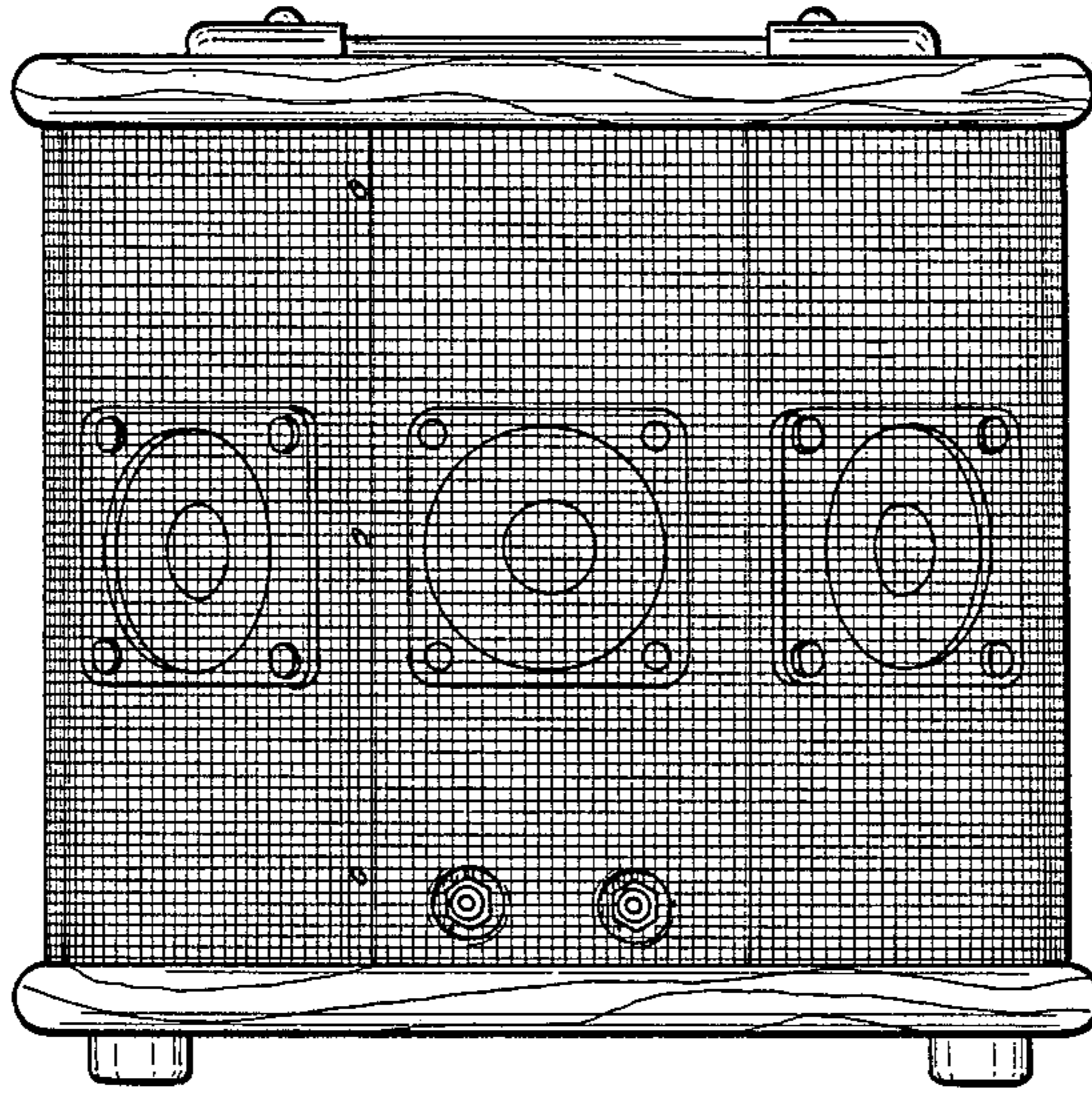


FIG-6

