

[54] MONITOR OR SIMILAR ARTICLE

[75] Inventors: George Kao, Taipei; Feng-Chih Chen, Yung Ho, both of Taiwan

[73] Assignee: Cal-Comp Electronics Inc., Taipei, Taiwan

[**] Term: 14 Years

[21] Appl. No.: 917,825

[22] Filed: Oct. 10, 1986

[52] U.S. Cl. D14/113

[58] Field of Search D14/100, 102, 105, 106, D14/107, 109, 103, 113, 114; D13/40, 41; 312/208; 340/700, 720, 815.06, 815.14; 364/130, 144, 708; D18/7

[56] References Cited

U.S. PATENT DOCUMENTS

D. 289,651 5/1987 Nuttall et al. D14/113

OTHER PUBLICATIONS

The Blue Book, 1985, p. 84—TeleVideo Terminal. Computer Design—Jan. 1984, p. 225; Feb. 1984, p. 136—WYSE Terminal.

Ericsson Brochure—Sep. 13, 1985—Cover—Terminal.

Primary Examiner—Susan J. Lucas

Assistant Examiner—Freda S. Nunn

Attorney, Agent, or Firm—Saidman, Sterne, Kessler & Goldstein

[57] CLAIM

The ornamental design for monitor or similar article, as shown and described.

DESCRIPTION

FIG. 1 is a front elevational view of monitor or similar article showing my new design;

FIG. 2 is a rear elevational view thereof;

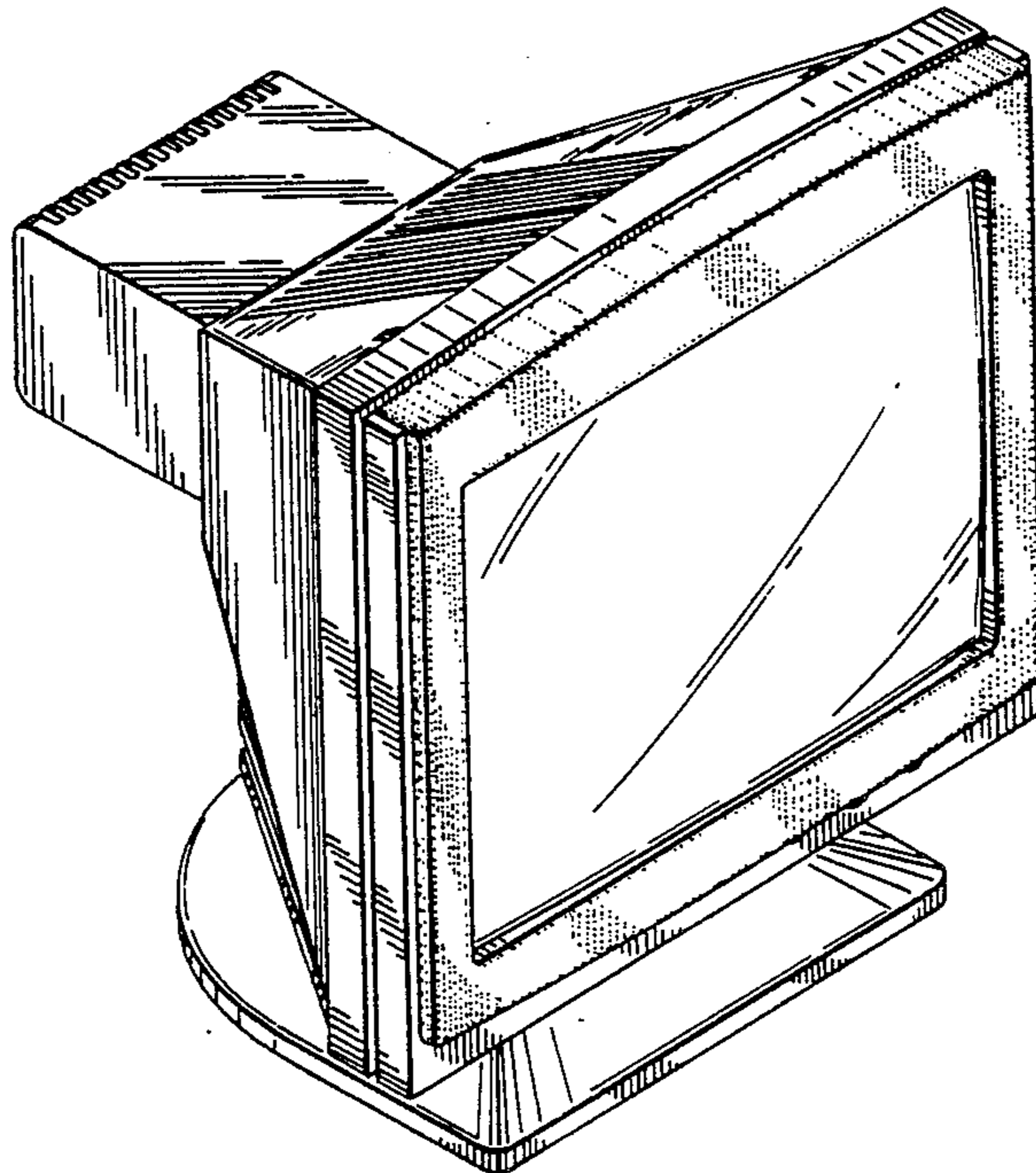
FIG. 3 is a right side elevational view thereof;

FIG. 4 is a left side elevational view thereof;

FIG. 5 is a top plan view thereof;

FIG. 6 is a bottom plan view thereof; and

FIG. 7 is a perspective view thereof.



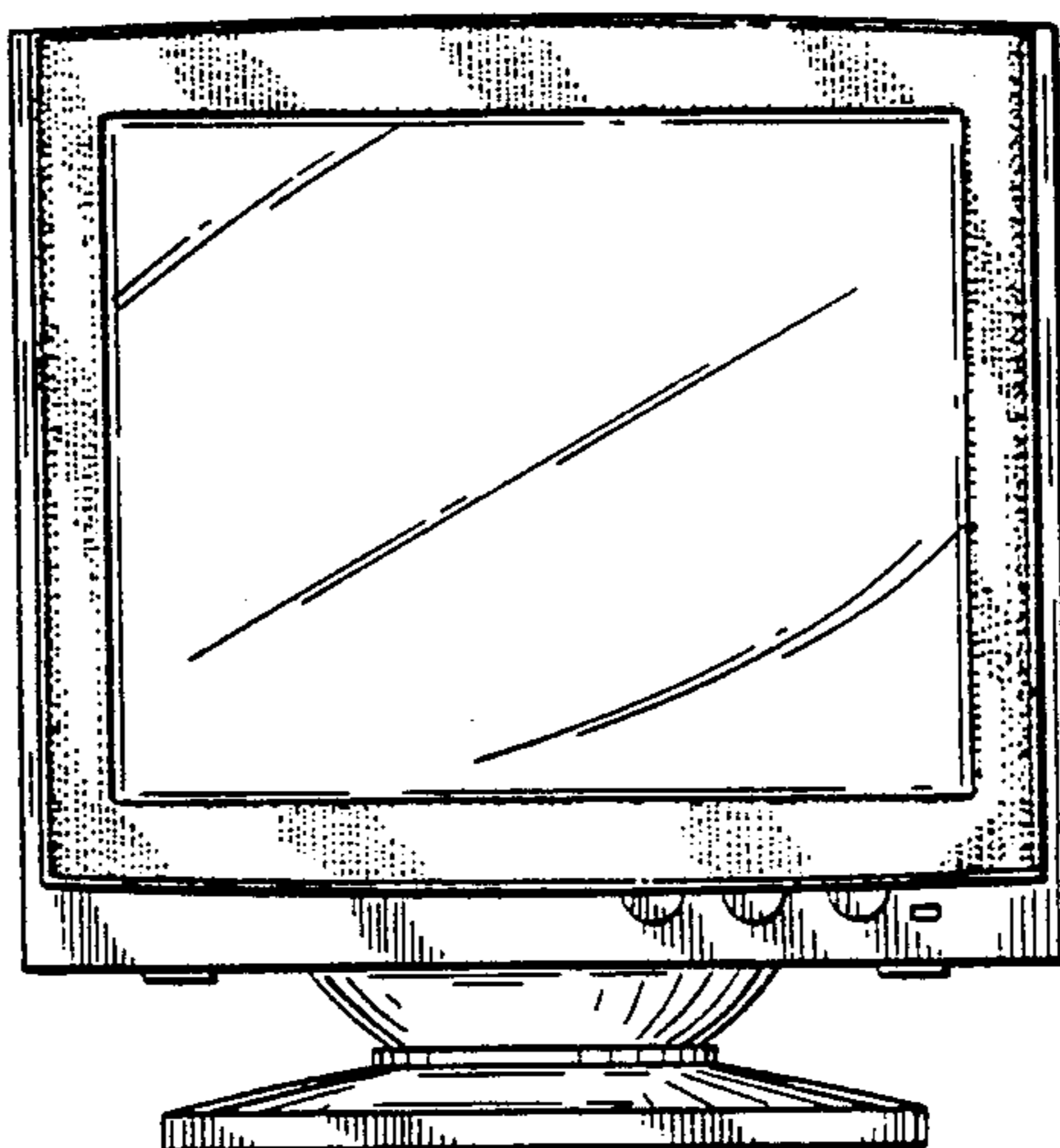


FIG. 1

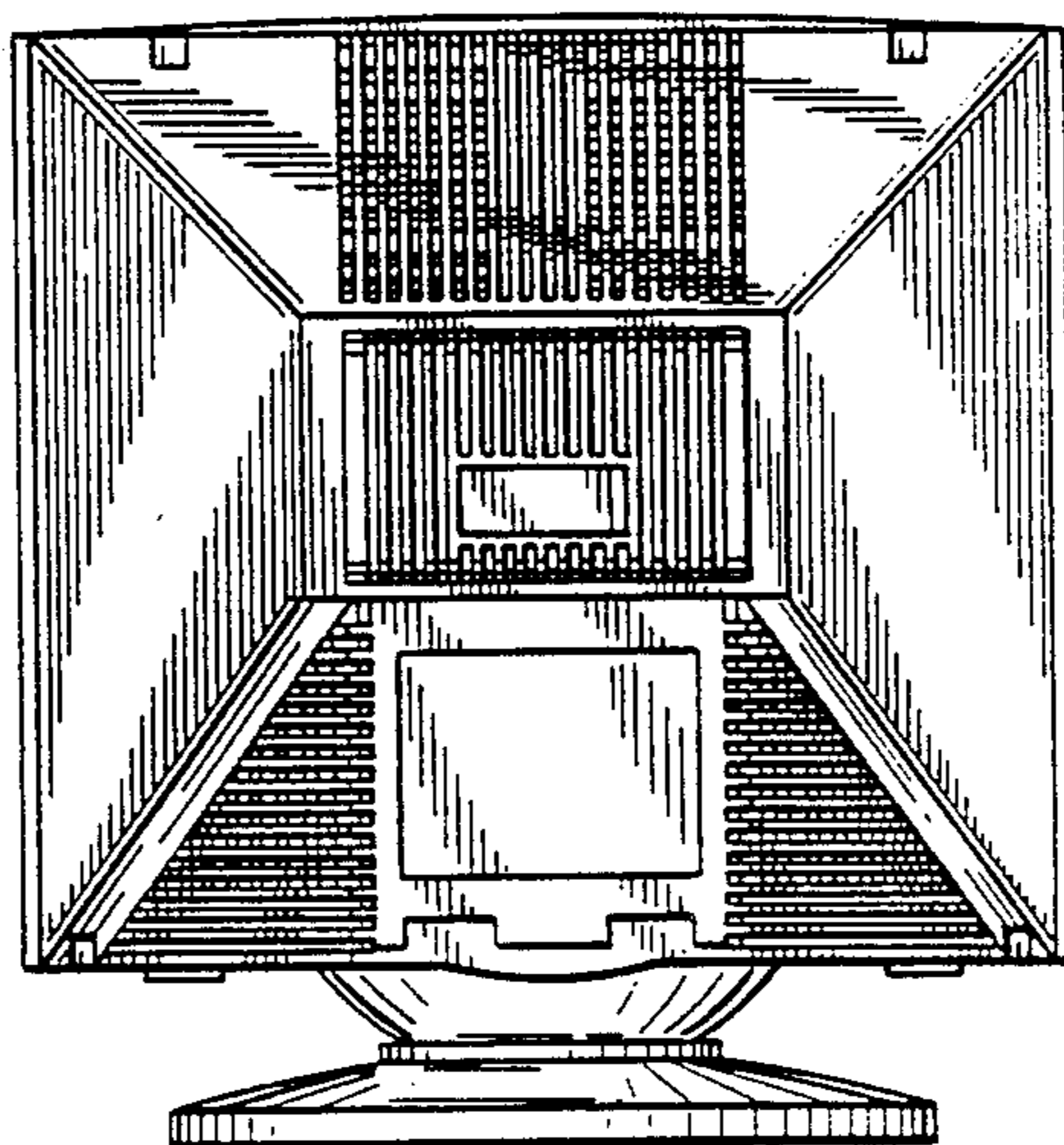


FIG. 2

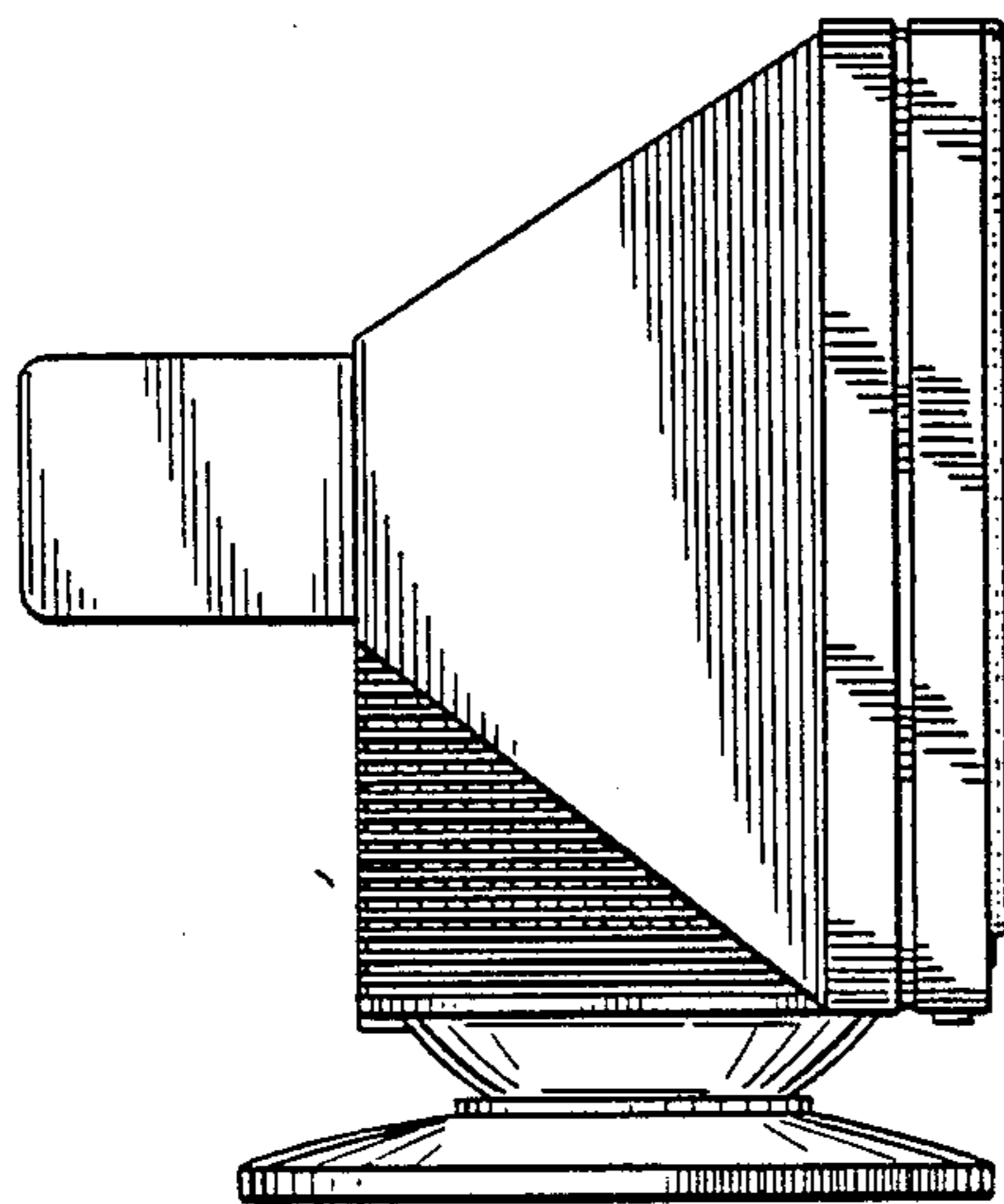


FIG. 3

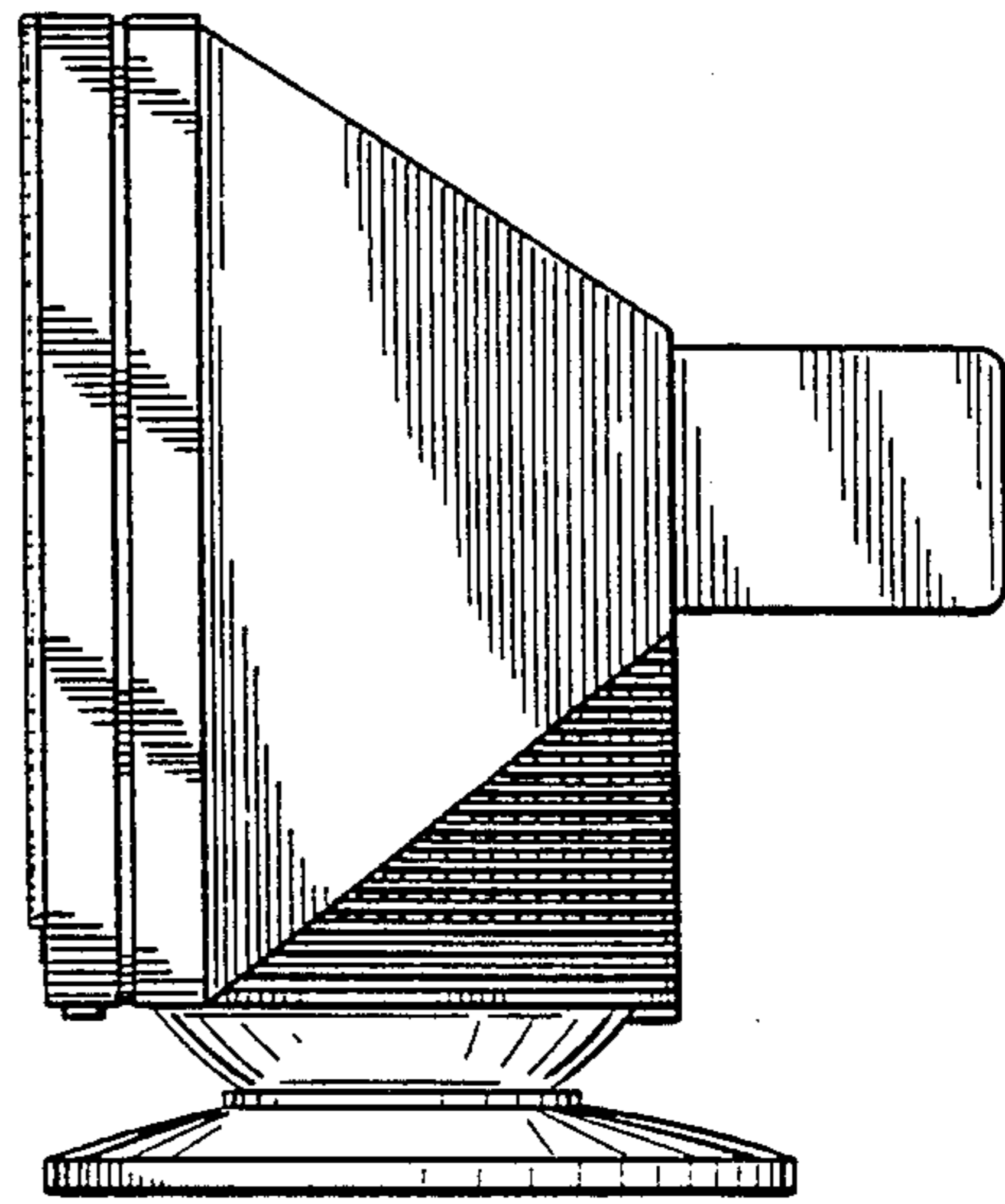


FIG. 4

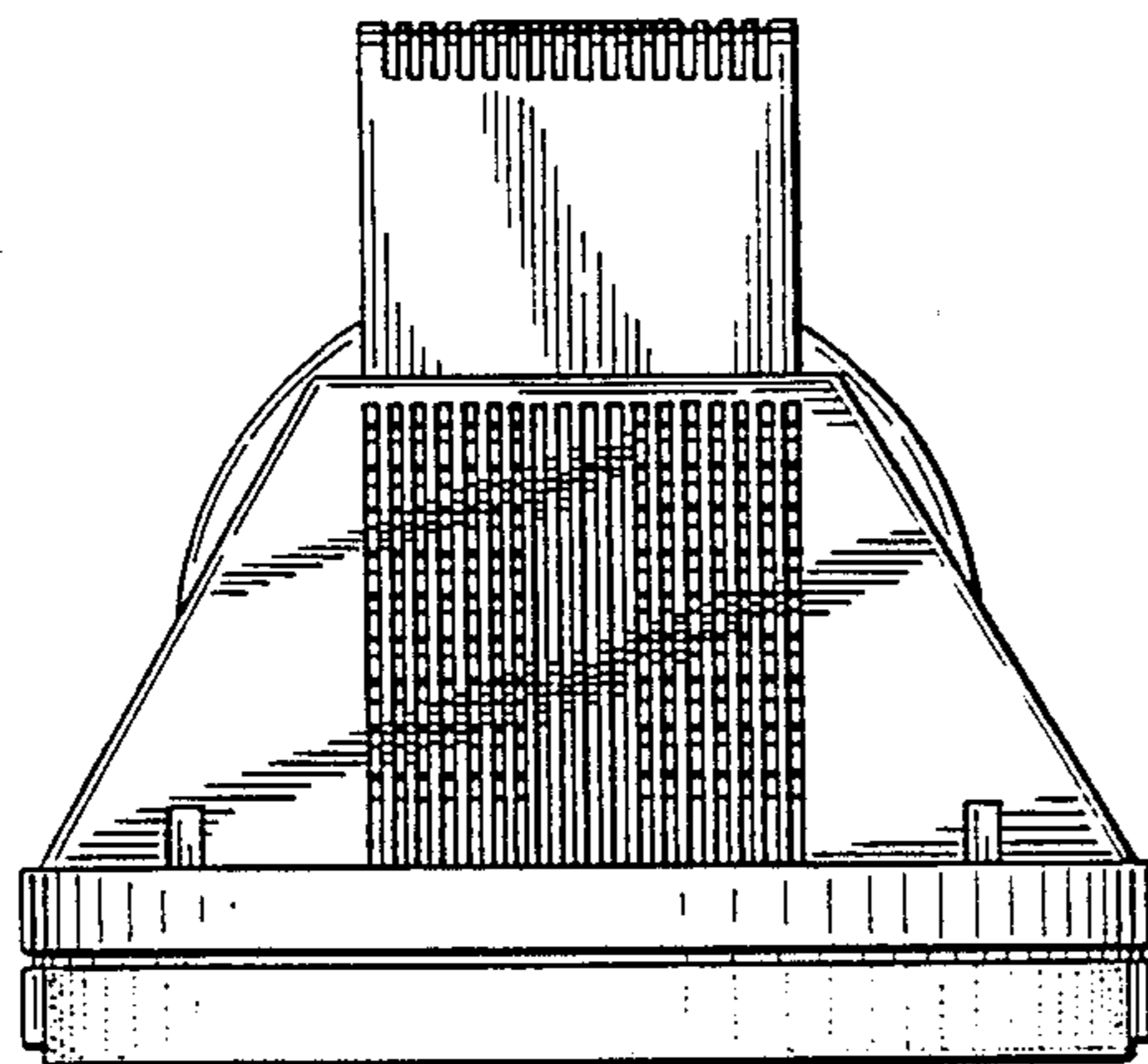


FIG. 5

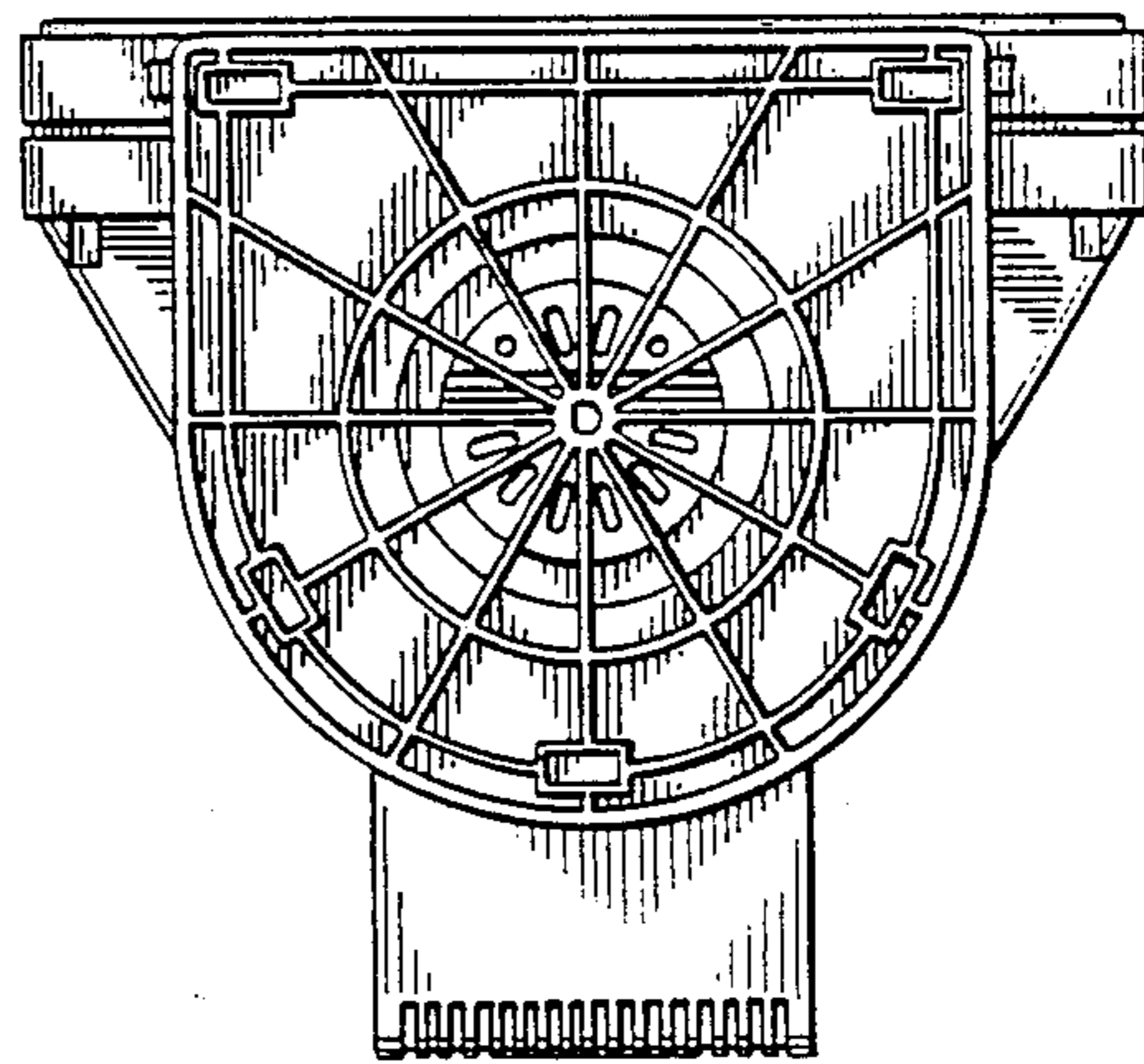


FIG. 6

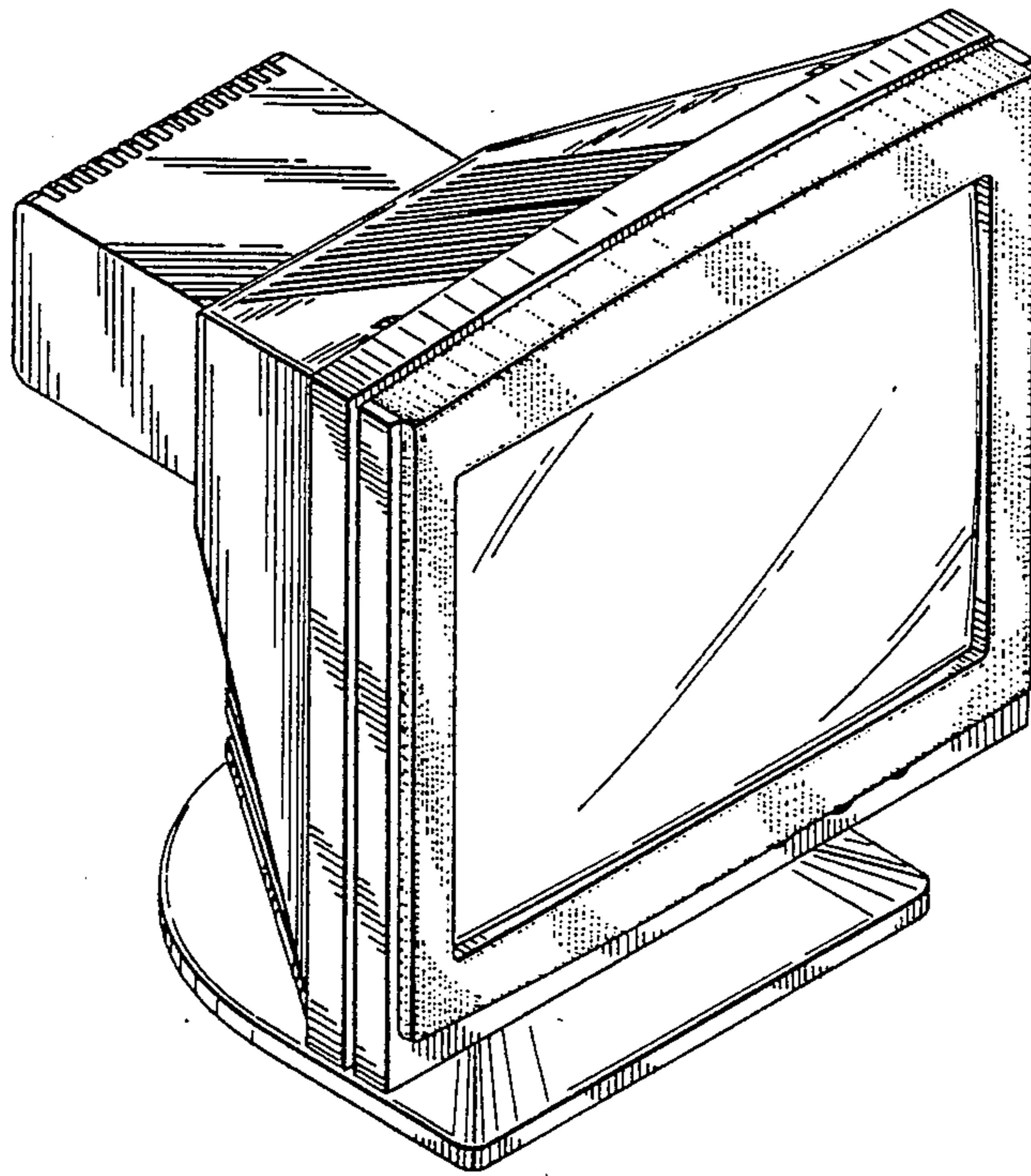


FIG. 7

UNITED STATES PATENT AND TRADEMARK OFFICE
CERTIFICATE OF CORRECTION

PATENT NO. : Des. 302,813
DATED : August 15, 1989
INVENTOR(S) : Kao et al.

It is certified that error appears in the above-identified patent and that said Letters Patent is hereby corrected as shown below:

Title page;
under the heading "Description", line 4,
delete "right" and insert --left-- therefor;

line 5, delete "left" and insert --right-- therefor.

**Signed and Sealed this
Tenth Day of July, 1990**

Attest:

Attesting Officer

HARRY F. MANBECK, JR.

Commissioner of Patents and Trademarks