

[54] IMAGE SCANNER FOR ELECTRONIC COMPUTERS

[75] Inventor: Shin-ichi Hiroki, Tokyo, Japan

[73] Assignee: Kabushiki Kaisha Toshiba, Kanagawa, Japan

[**] Term: 14 Years

[21] Appl. No.: 1,082

[22] Filed: Jan. 6, 1987

[30] Foreign Application Priority Data

Aug. 8, 1986 [JP] Japan 61-30880

[52] U.S. Cl. D14/107

[58] Field of Search D14/100, 105, 107, 111, D14/114, 116; D16/1, 2, 27, 28, 29, 30, 31, 32; D18/13, 22, 23; 354/80, 81, 82; 355/1, 7, 8, 14 SH, 19, 45, 46, 47; 235/475, 479, 440, 454, 462, 470, 471, 472, 473, 483, 484, 486; 250/203 R, 216, 566, 568; 358/285, 286, 256, 292, 293, 294; 382/58, 59, 62, 63, 65, 66, 67, 68

[56] References Cited

U.S. PATENT DOCUMENTS

D. 277,101 1/1985 Hara et al. D14/107
D. 288,447 2/1987 Otsuka D14/107

OTHER PUBLICATIONS

BYTE, Jun.-1984, p. 242, IBM Digital Plotter. National's message recording system catalogue including explanation of article.

Xerox-Image Recording Apparatus Catalogue. Fuji Xerox image recording apparatus catalogue showing XS-2 Model.

Primary Examiner—Susan J. Lucas
Assistant Examiner—Freda S. Nunn
Attorney, Agent, or Firm—Banner, Birch, McKie & Beckett

[57] CLAIM

The ornamental design for an image scanner for electronic computers, as shown and described.

DESCRIPTION

FIG. 1 is a top, right side and front perspective view of an image scanner for electronic computers showing my new design,

FIG. 2 is a front elevational view thereof,

FIG. 3 is a rear elevational view thereof,

FIG. 4 is a top plan view thereof,

FIG. 5 is a bottom plan view thereof,

FIG. 6 is a right side elevational view thereof,

FIG. 7 is a left side elevational view thereof, and

FIG. 8 is a top, right side and front perspective view thereof on a reduced scale, the paper feeding tray being shown in broken lines for illustrative purposes only.

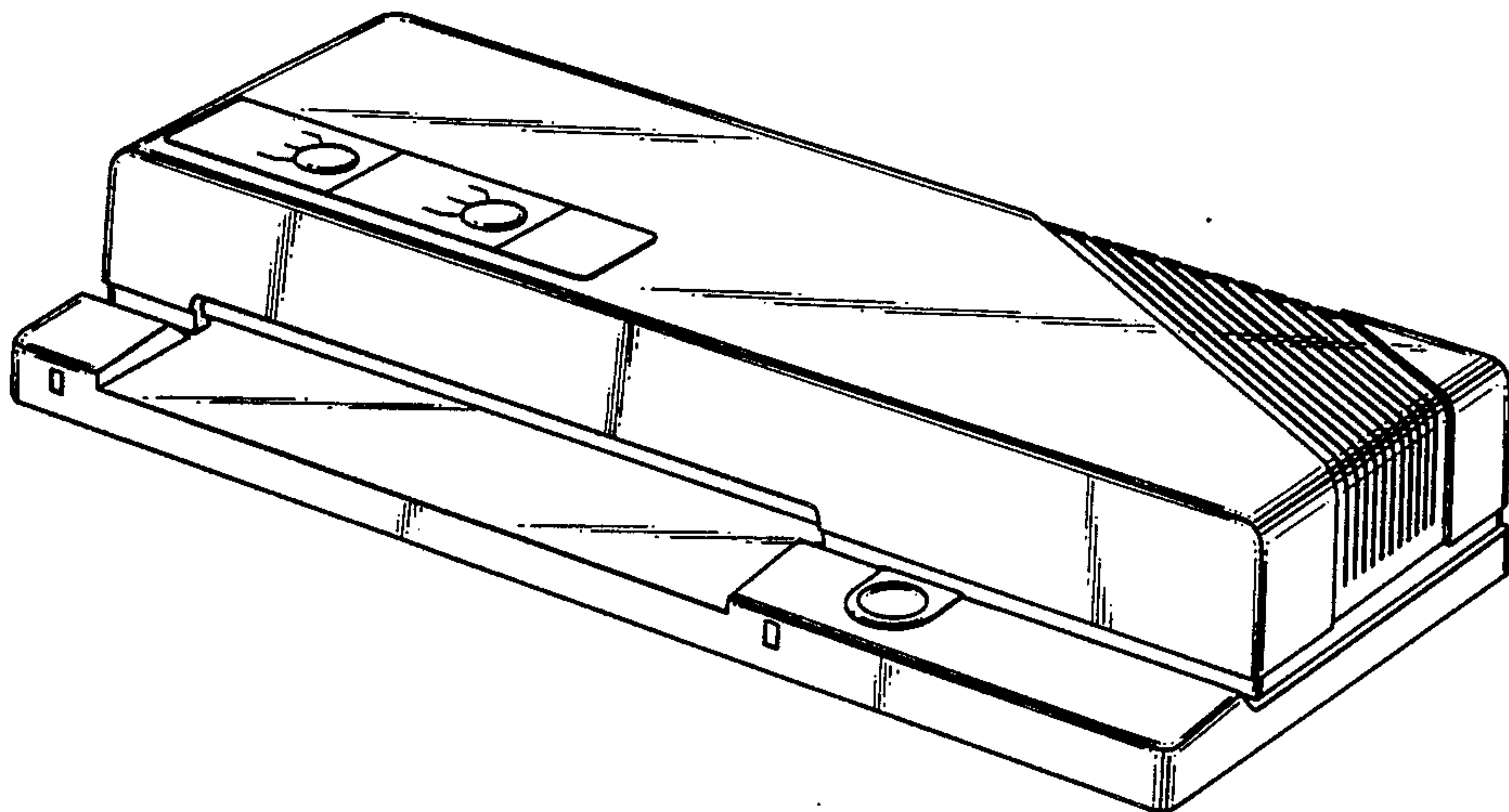


FIG. 1

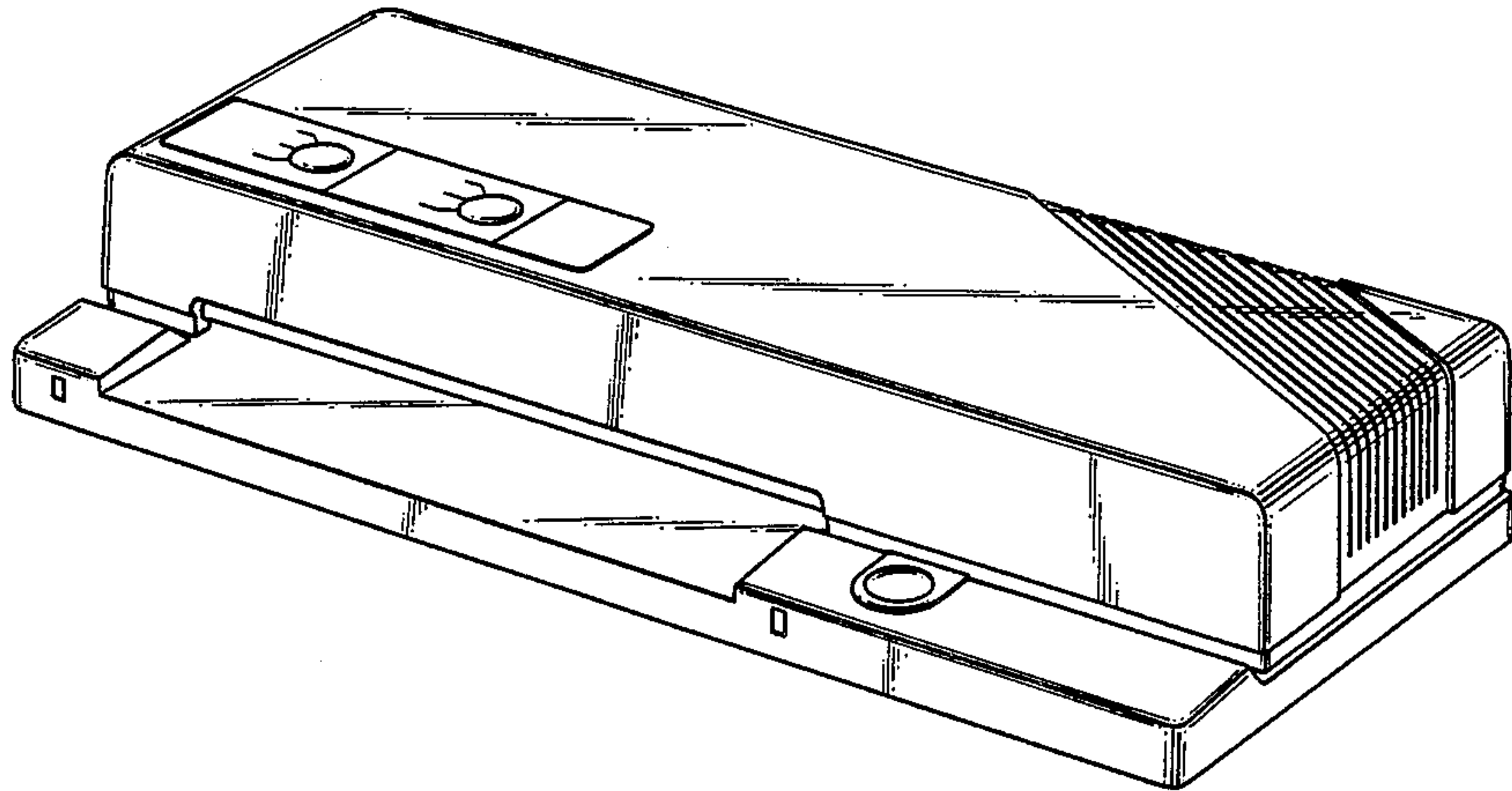


FIG. 2

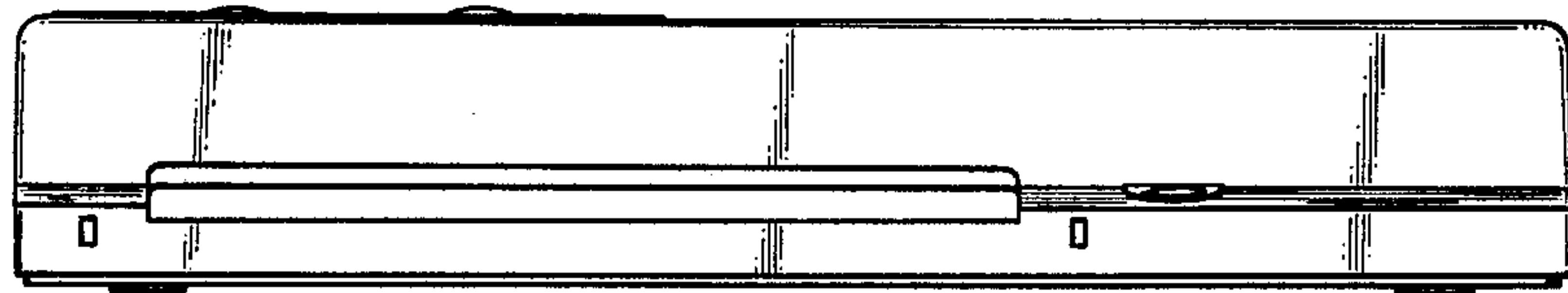


FIG. 3

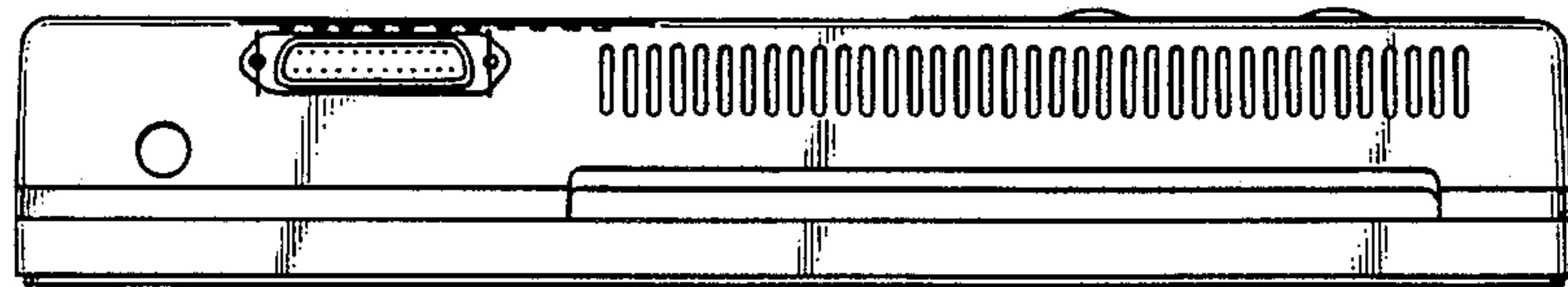


FIG. 4

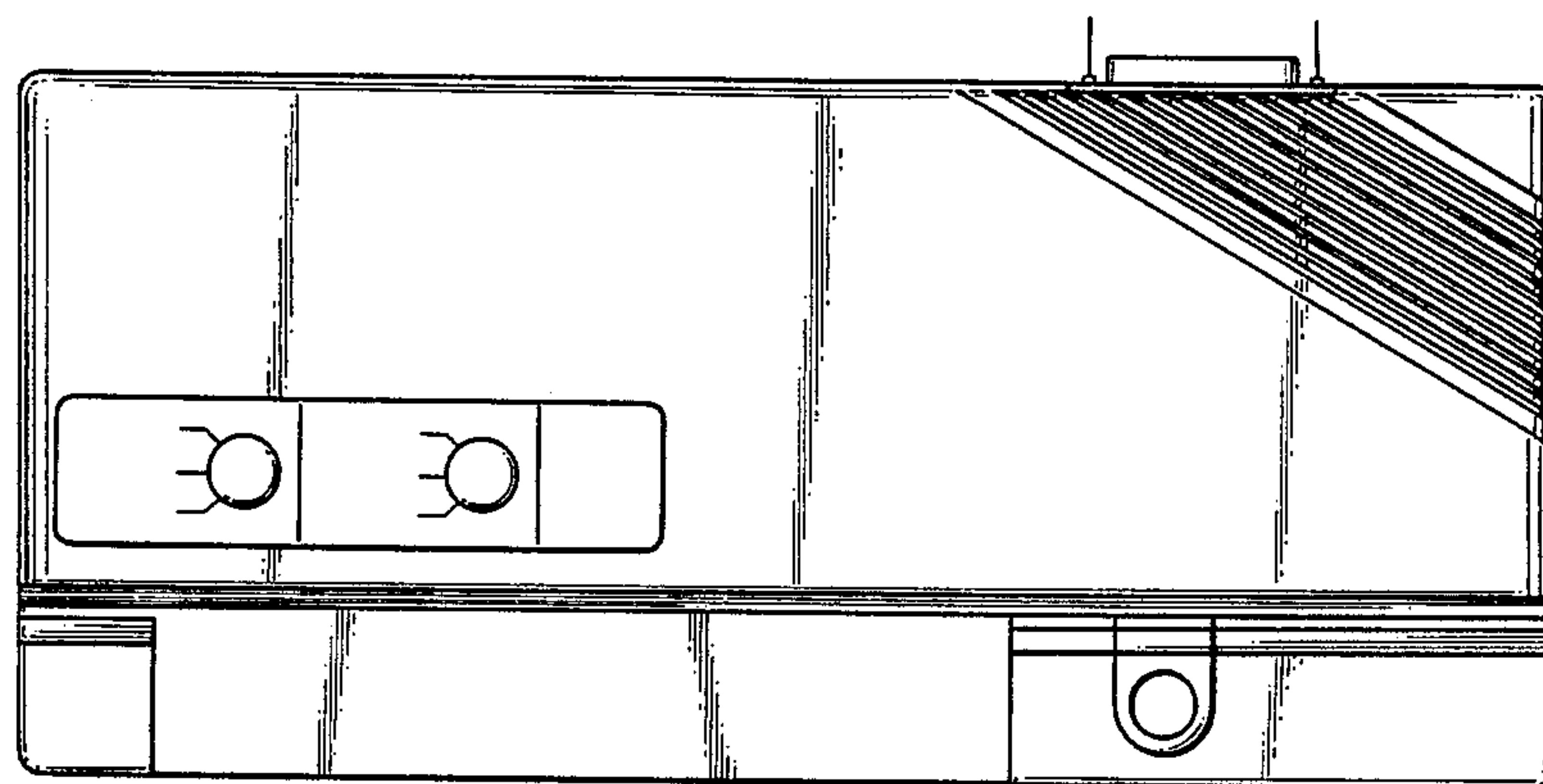


FIG. 5

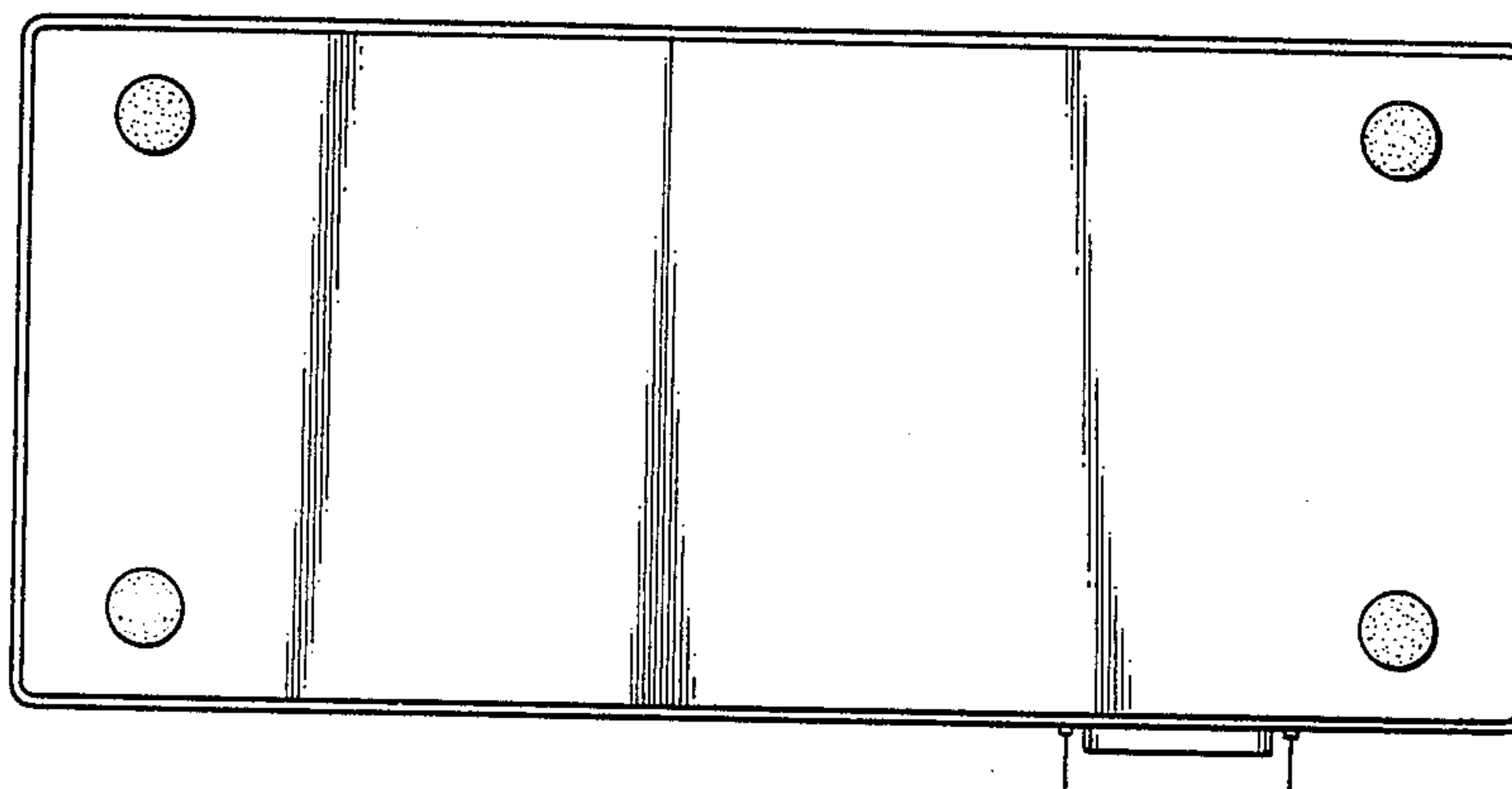


FIG.6

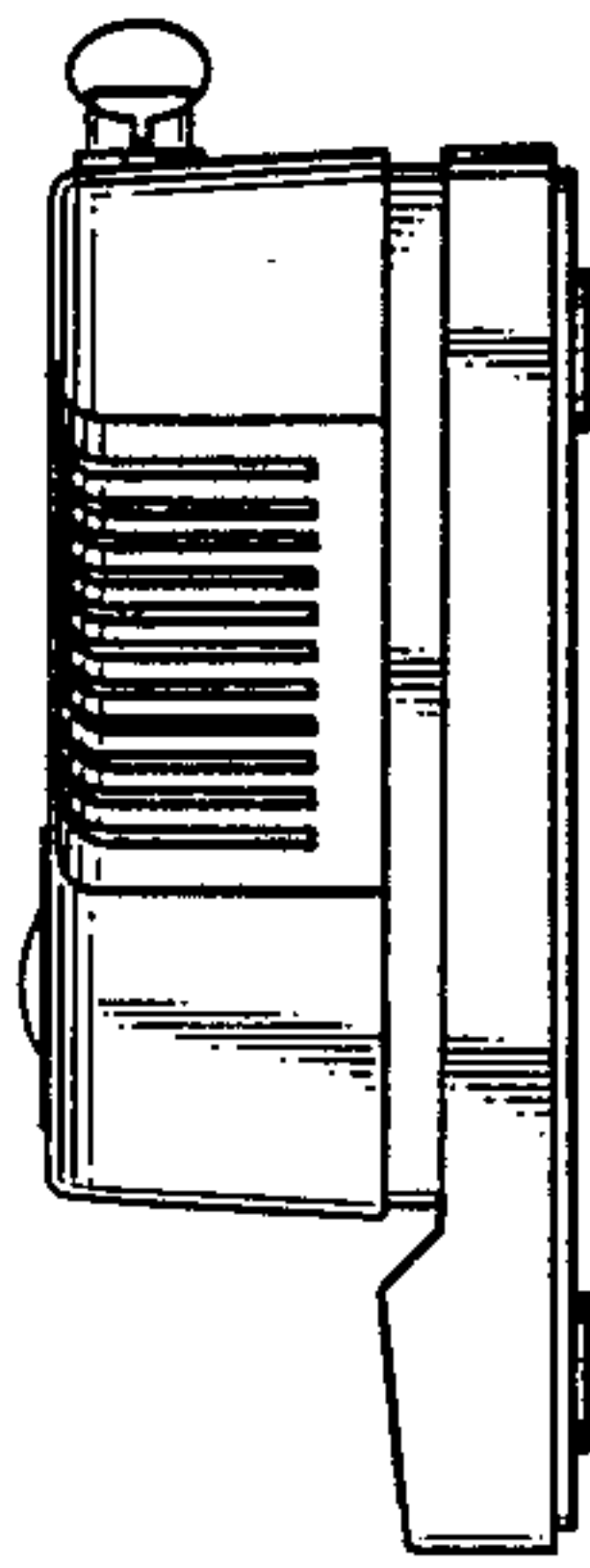


FIG.7

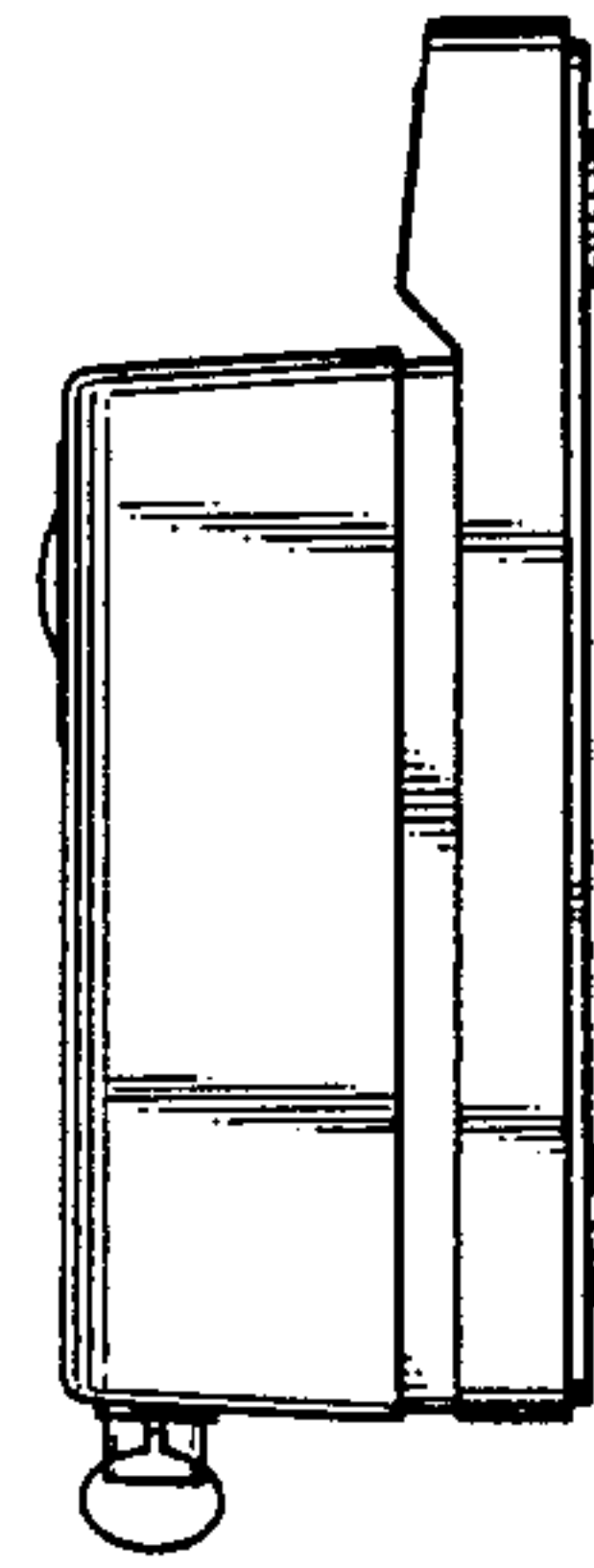


FIG.8

