

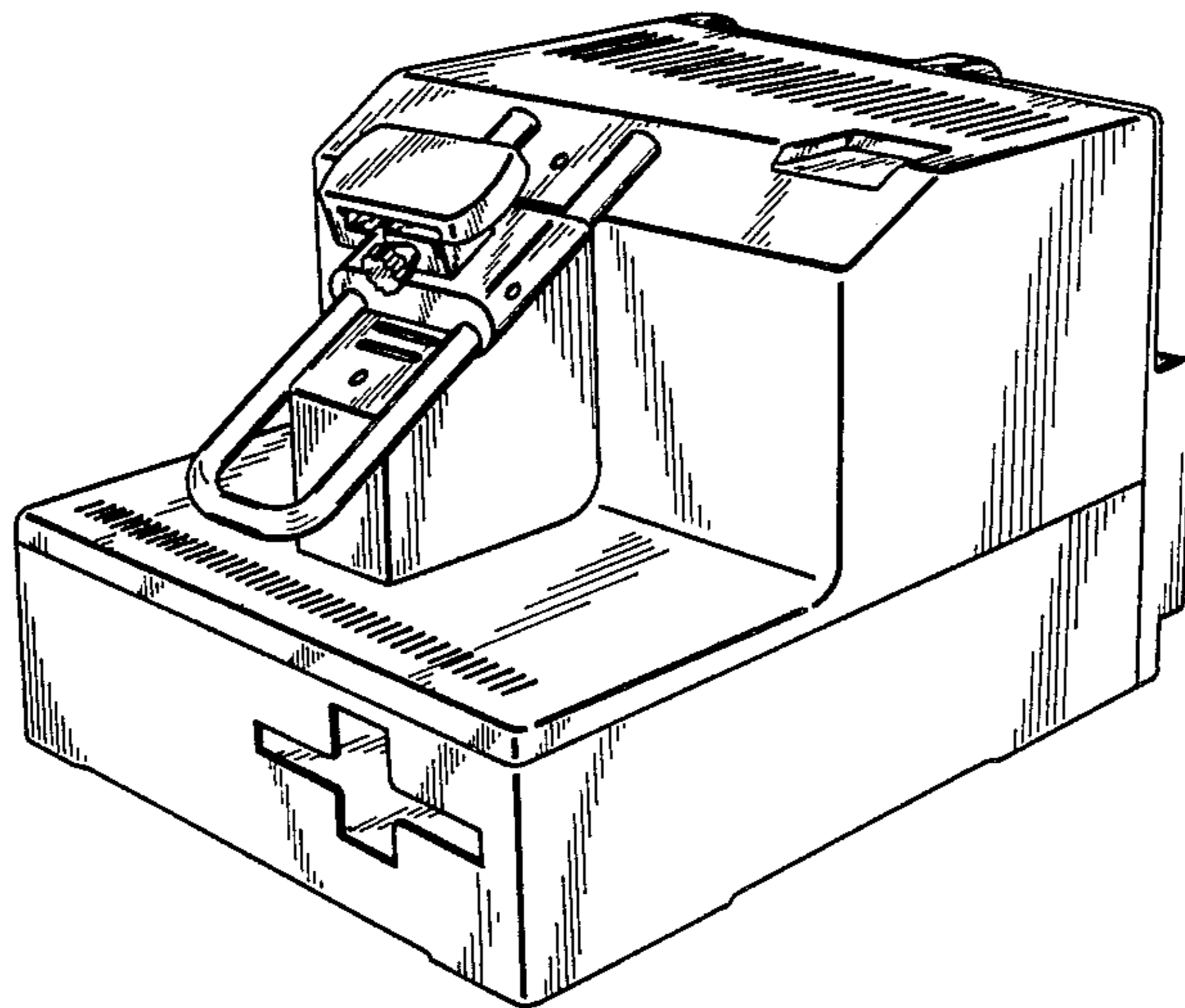
[54] **DATA PROCESSOR HOUSING WITH
ADJUSTABLE SUPPORT FOR DISPLAY
MONITOR**
[75] **Inventor: Vid Bratasevec, Koper, Yugoslavia**
[73] **Assignee: Iskra-Delta, Ljubljana, Yugoslavia**
[**] **Term: 14 Years**
[21] **Appl. No.: 793,347**
[22] **Filed: Oct. 31, 1985**

[30] **Foreign Application Priority Data**
May 6, 1985 [YU] Yugoslavia M-211/85
[52] **U.S. Cl. D14/100; D14/106**
[58] **Field of Search D14/100, 102, 105, 106,
D14/107, 109, 114, 113; 360/97, 98, 99;
340/700, 711, 709; 248/231.4, 178, 183, 278,
279, 125, 420; 364/708**

[56] **References Cited**
U.S. PATENT DOCUMENTS
D. 272,247 1/1984 Dillon et al. D14/106
D. 280,198 8/1985 Dillon et al. D14/109 X
D. 281,821 10/1985 Lekhtman D14/106
4,698,782 10/1987 Ng et al. 364/708
Primary Examiner—Susan J. Lucas
Attorney, Agent, or Firm—Fleit, Jacobson, Cohn & Price

[57] **CLAIM**
The ornamental design for a data processor housing with adjustable support for display monitor, as shown and described.

DESCRIPTION
FIG. 1 is a top, front, right side perspective view of a data processor housing with adjustable support for display monitor showing my new design;
FIG. 2 is a top, rear, right side perspective view thereof on a reduced scale;
FIG. 3 is a bottom plan view thereof;
FIG. 4 is a left side elevational view thereof; and
FIG. 5 is a front elevational view thereof.



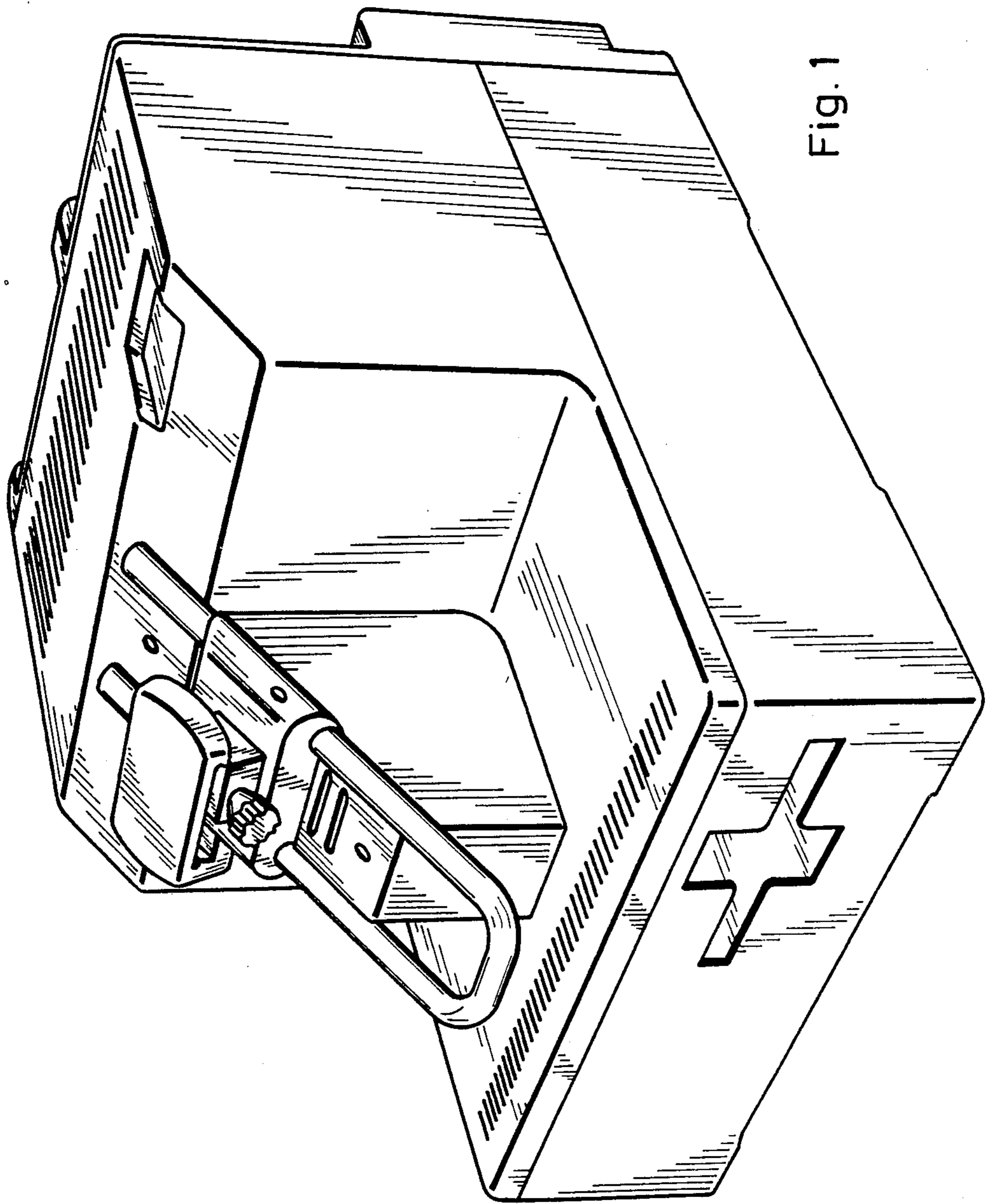


Fig. 1

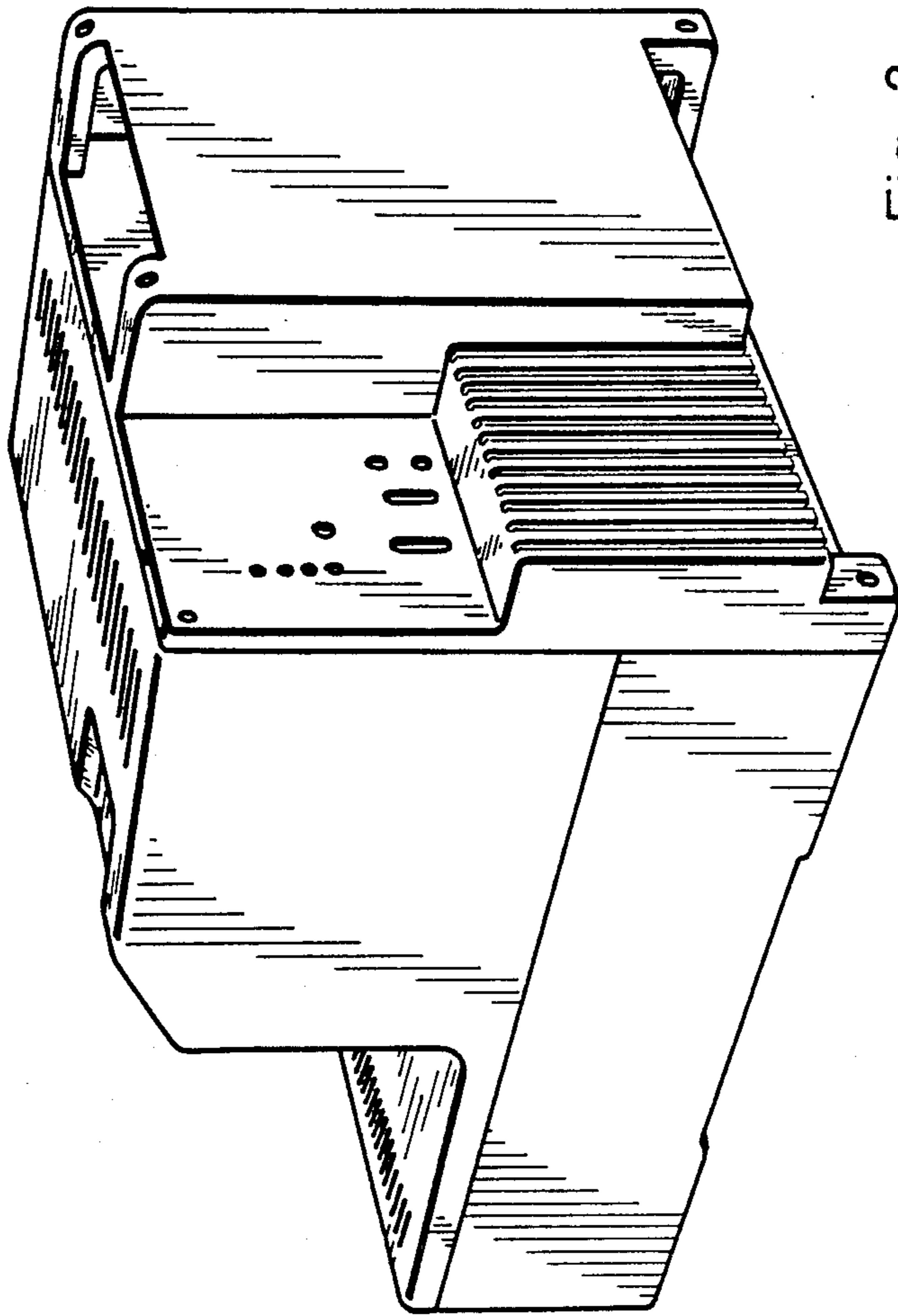


Fig. 2

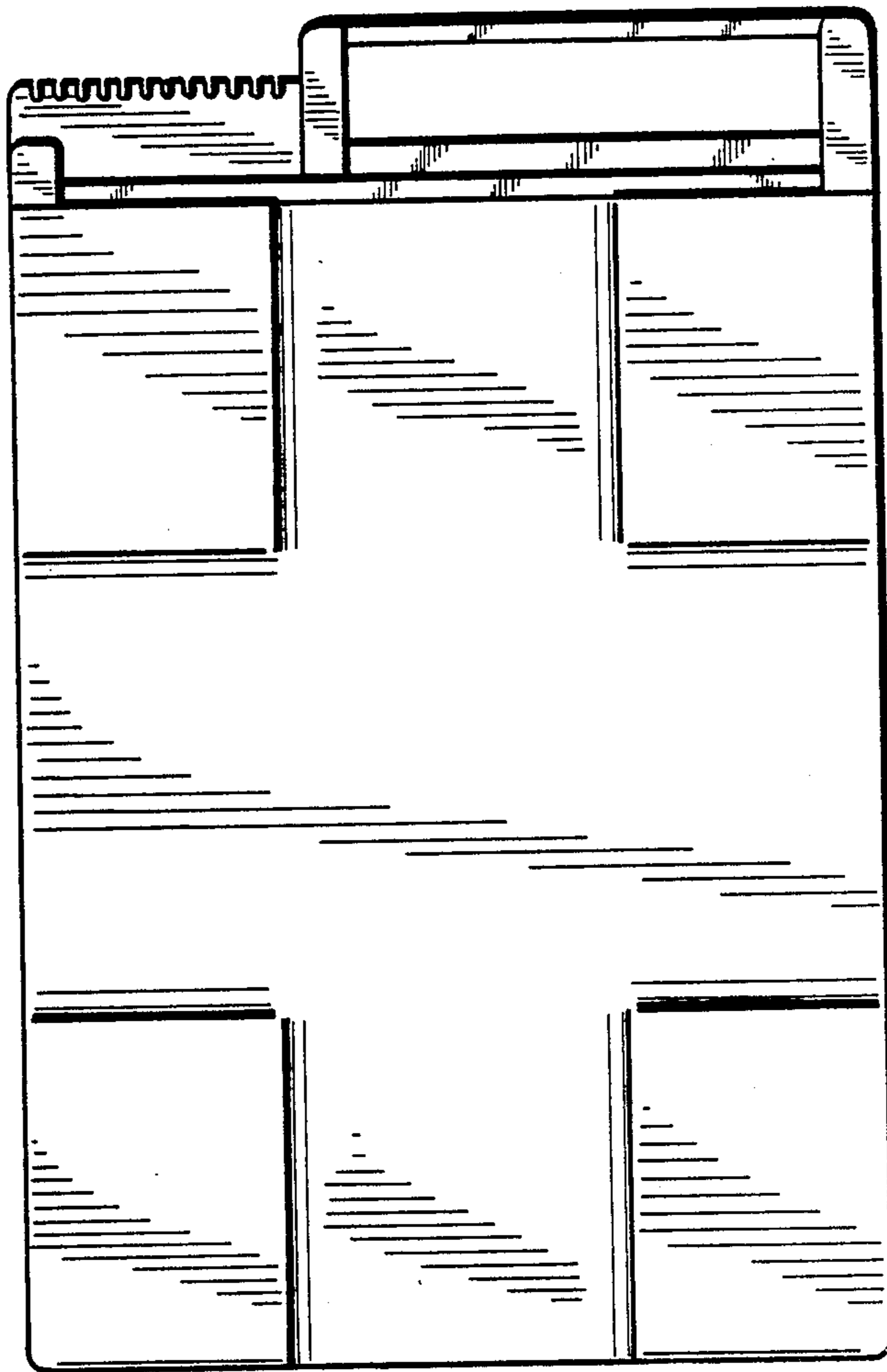


Fig. 3

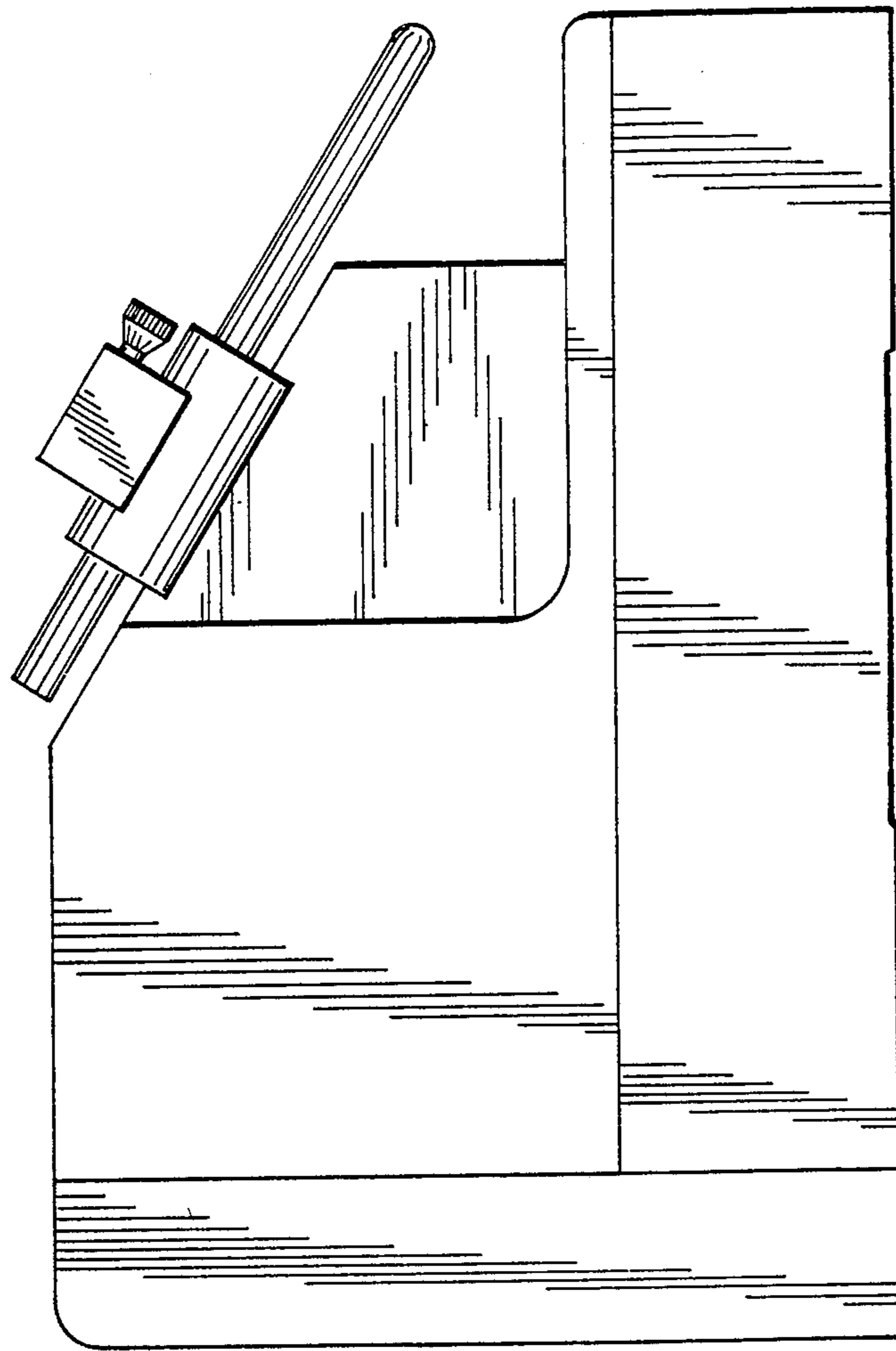


Fig. 4

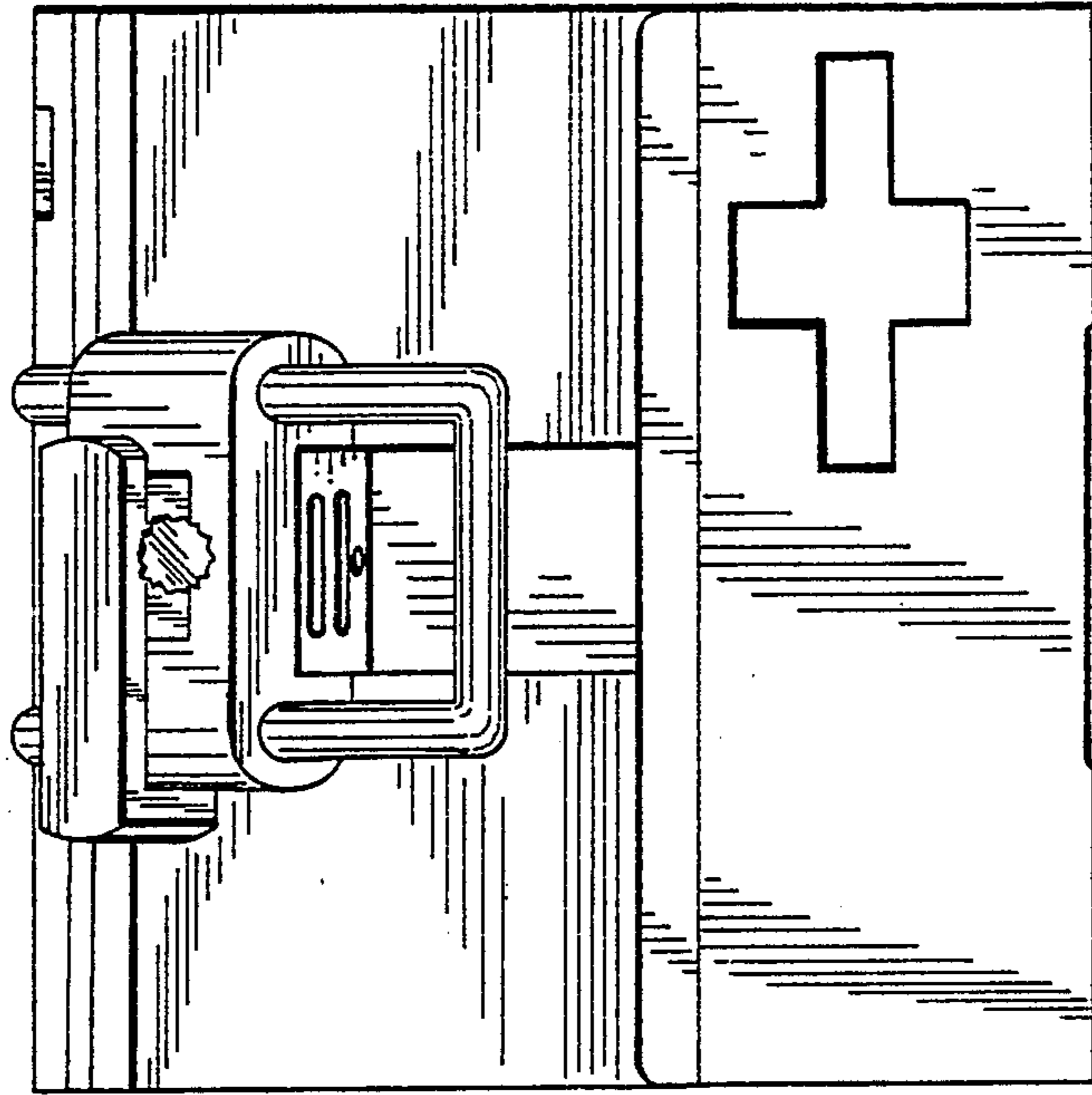


Fig. 5