

[54] HOUSING FOR A PROGRAMMING TERMINAL

[75] Inventor: Guy Boucher, Paris, France

[73] Assignee: La Telemecanique Electrique, France

[**] Term: 14 Years

[21] Appl. No.: 8,459

[22] Filed: Jan. 28, 1987

Related U.S. Application Data

[62] Division of Ser. No. 703,588, Feb. 20, 1985.

[30] Foreign Application Priority Data

Aug. 24, 1984 [FR] France 84 3762

[52] U.S. Cl. D13/12

[58] Field of Search D13/12, 35, 40-41, D13/99; D14/46, 100, 103; 361/331-334, 347, 352, 380, 390, 399

[56] References Cited

U.S. PATENT DOCUMENTS

D. 258,654	3/1981	Levy	D14/100
D. 269,605	7/1983	Provanzano et al.	D13/12
D. 278,710	5/1985	Shimizu et al.	D14/100
D. 281,606	12/1985	Nuttall et al.	D14/100
D. 282,253	1/1986	Shimizu et al.	D13/12
D. 285,923	9/1986	Takahashi et al.	D14/100
4,125,782	11/1978	Pollnow, Jr.	D13/12
4,152,749	5/1979	Knickerbocker	361/331
4,195,896	4/1980	Wagner et al.	339/18 B
4,203,013	5/1980	Serras-Paulet	200/5 A

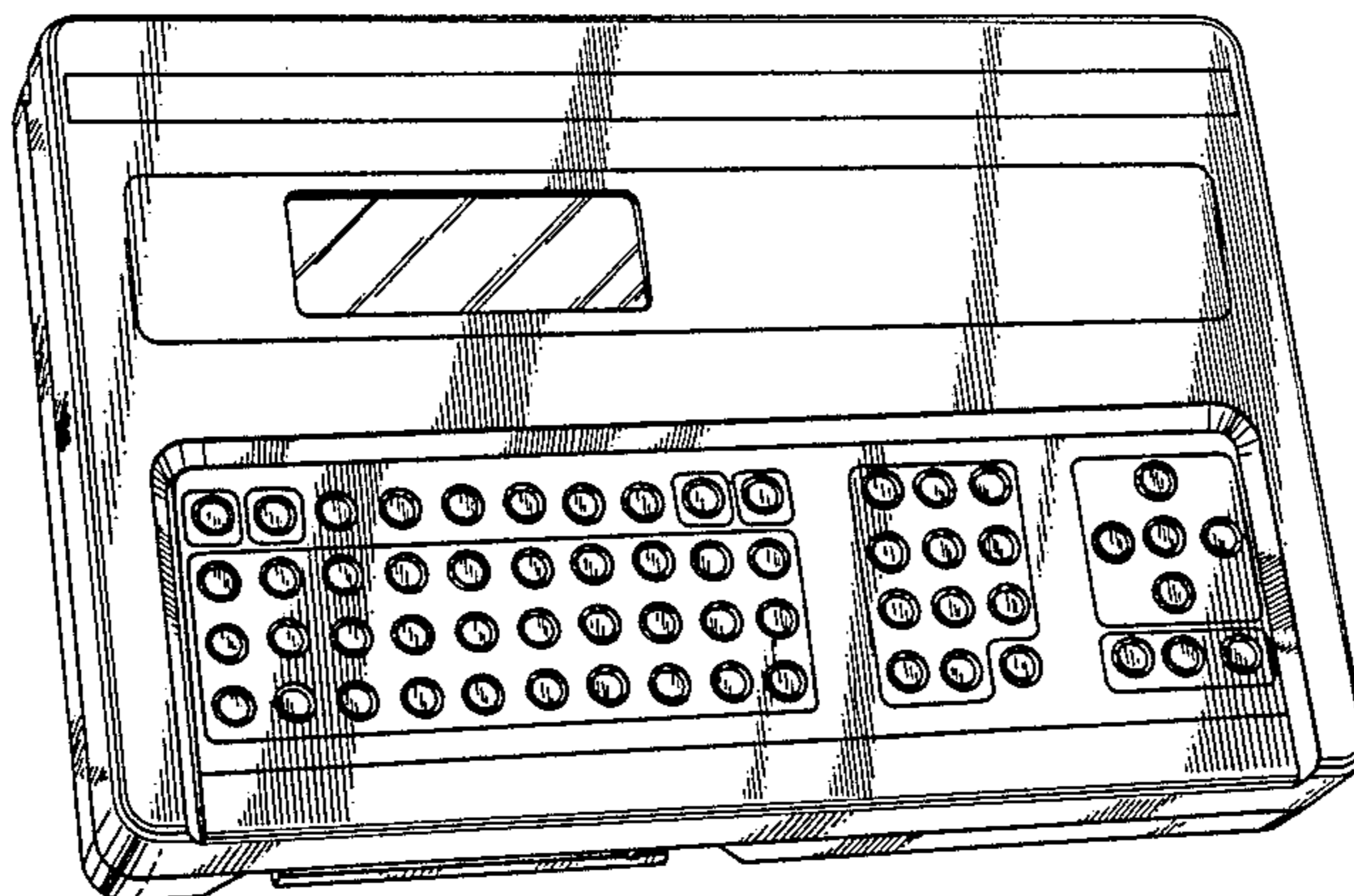
Primary Examiner—Bruce W. Dunkins
Assistant Examiner—Ruth Takemoto
Attorney, Agent, or Firm—William A. Drucker

[57] CLAIM

The ornamental design for a housing for a programming terminal, as shown.

DESCRIPTION

FIG. 1 is a top, front and side perspective view of a programming terminal showing my new design.
FIG. 2 is a top plan view thereof;
FIG. 3 is a front elevational view thereof; and
FIG. 4 is a left side elevational view thereof, the right side being a mirror image.



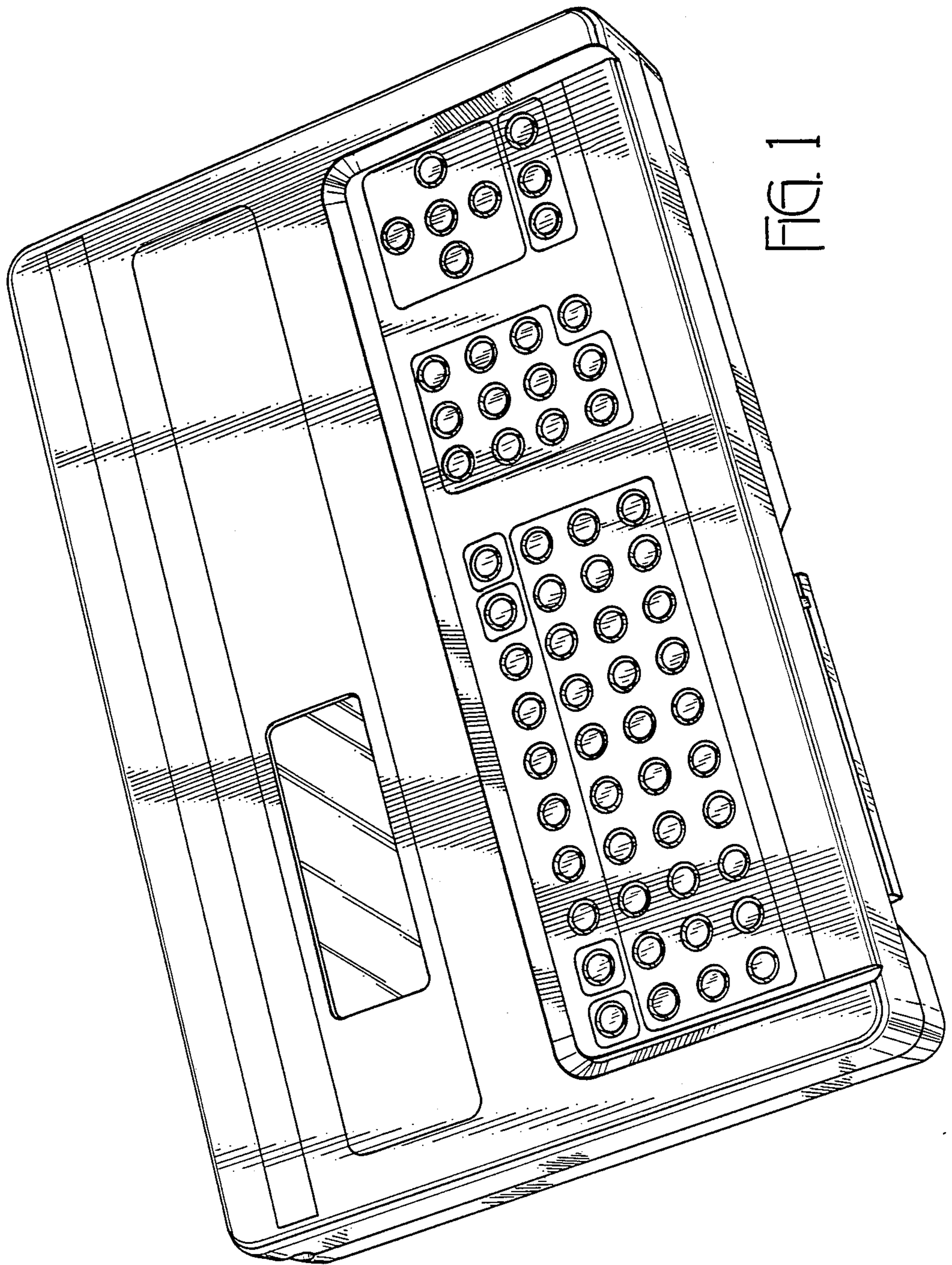


FIG. 1

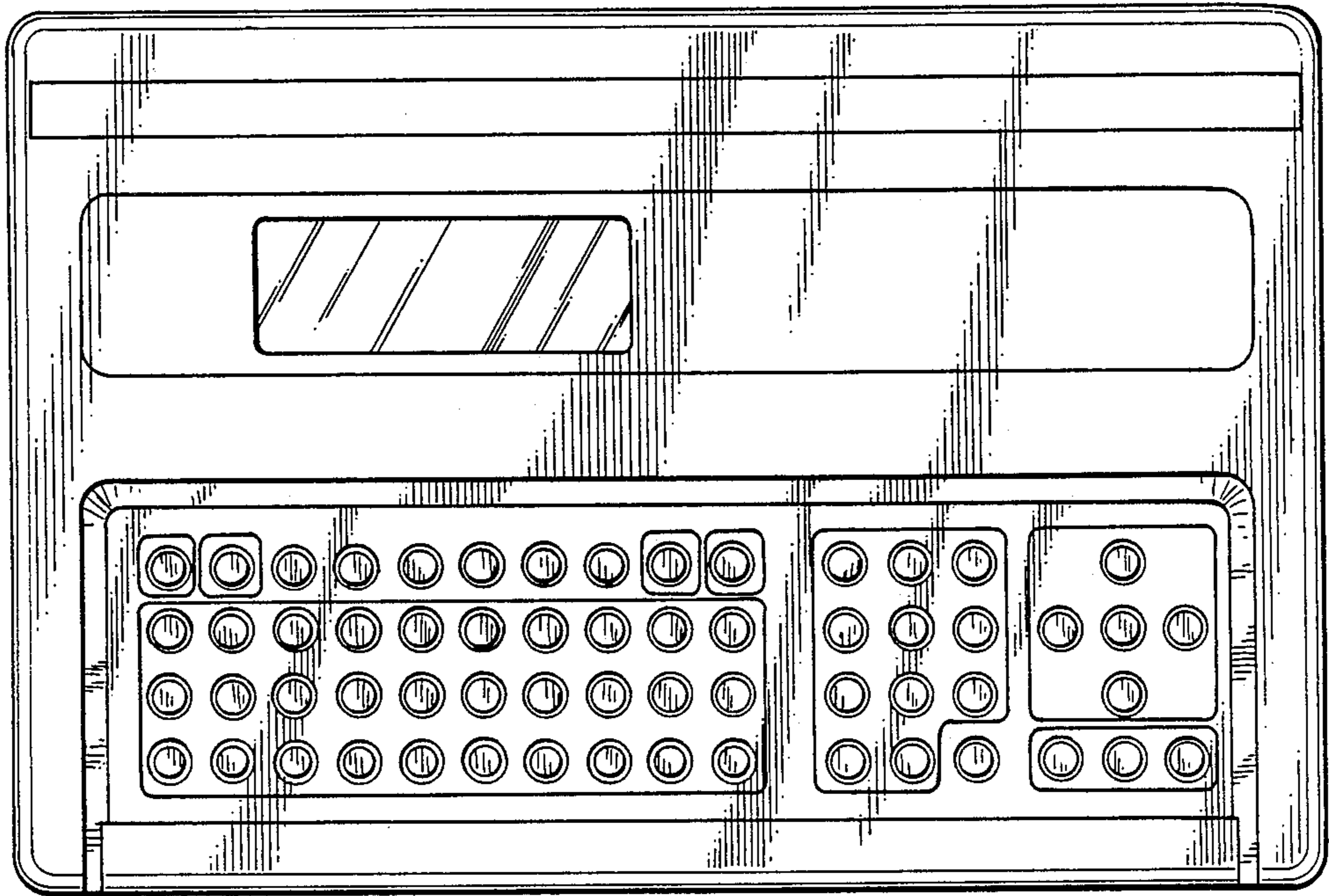


FIG. 2

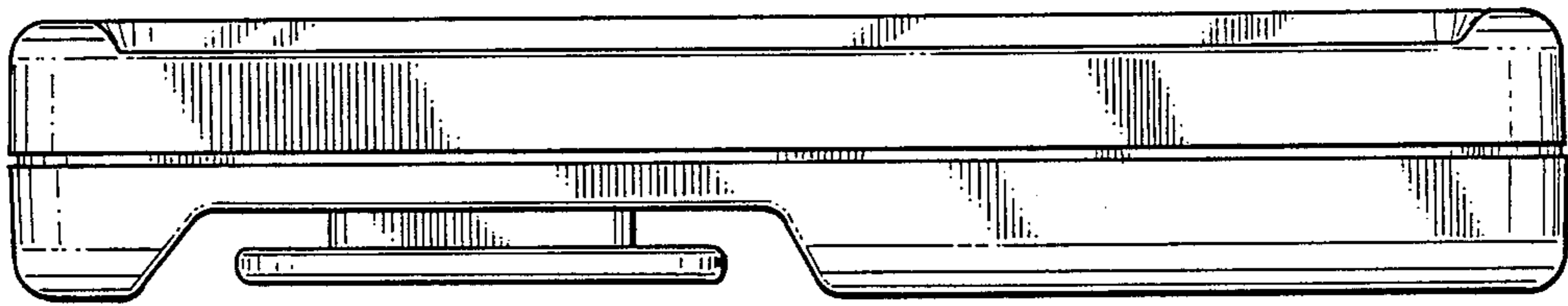


FIG. 3

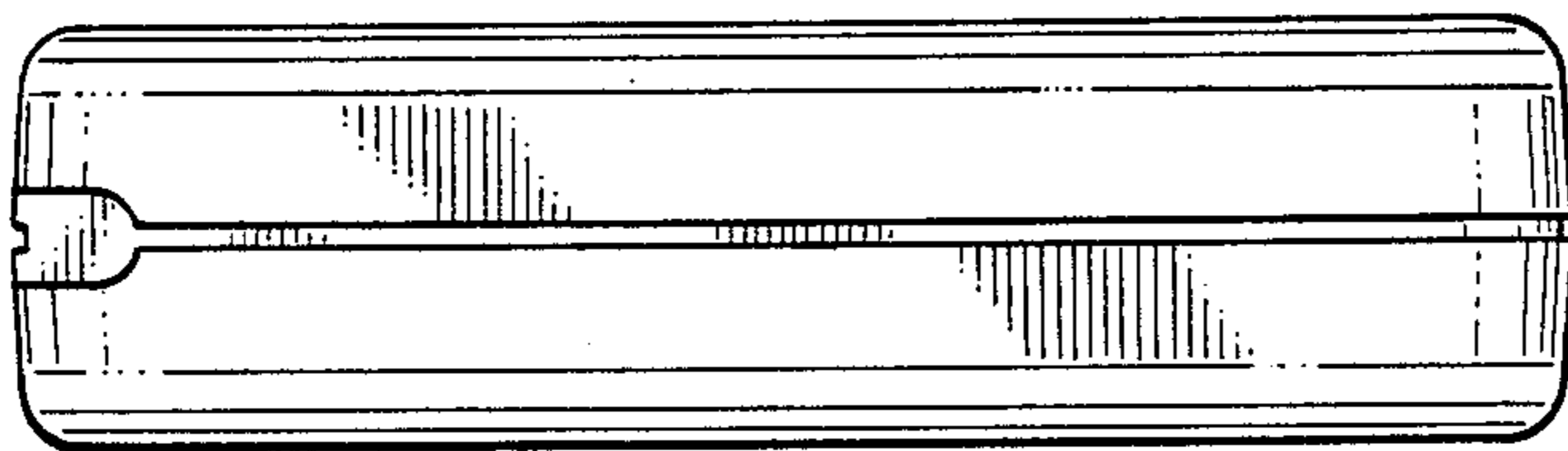


FIG. 4