

[54] **CONSOLE FOR BOAT**

[75] **Inventor: Michael Allbritton, Longview, Tex.**

[73] **Assignee: Skeeter Products, Inc., Kilgore, Tex.**

[\*\*] **Term: 14 Years**

[21] **Appl. No.: 229,350**

[22] **Filed: Aug. 8, 1988**

[52] **U.S. Cl. .... D12/317; D12/192**

[58] **Field of Search .... D12/317, 318, 192;  
114/343, 352; 206/320; 224/42.42, 281; 290/70**

[56] **References Cited**

**U.S. PATENT DOCUMENTS**

D. 260,755 9/1981 Shirley ..... D12/317  
D. 285,915 9/1986 Luthe et al. .... D12/192  
4,706,810 11/1987 Petrilli ..... 114/343

**FOREIGN PATENT DOCUMENTS**

2032360 5/1980 United Kingdom ..... 296/70

*Primary Examiner*—Wallace R. Burke

*Assistant Examiner*—Kay H. Chin

[57] **CLAIM**

The ornamental design for a console for boat, as shown and described.

**DESCRIPTION**

FIG. 1 is a rear elevational view of a console for boat showing my new design, the broken lines are for illustrative purposes only;

FIG. 2 is an enlarged perspective view thereof, the steering wheel is omitted for clarity of illustration;

FIG. 3 is a top plan view thereof;

FIG. 4 is a right side elevational view thereof;

FIG. 5 is a left side elevational view thereof; and

FIG. 6 is a rear elevational view thereof, showing the center panel of the console opened to expose an electronic device.

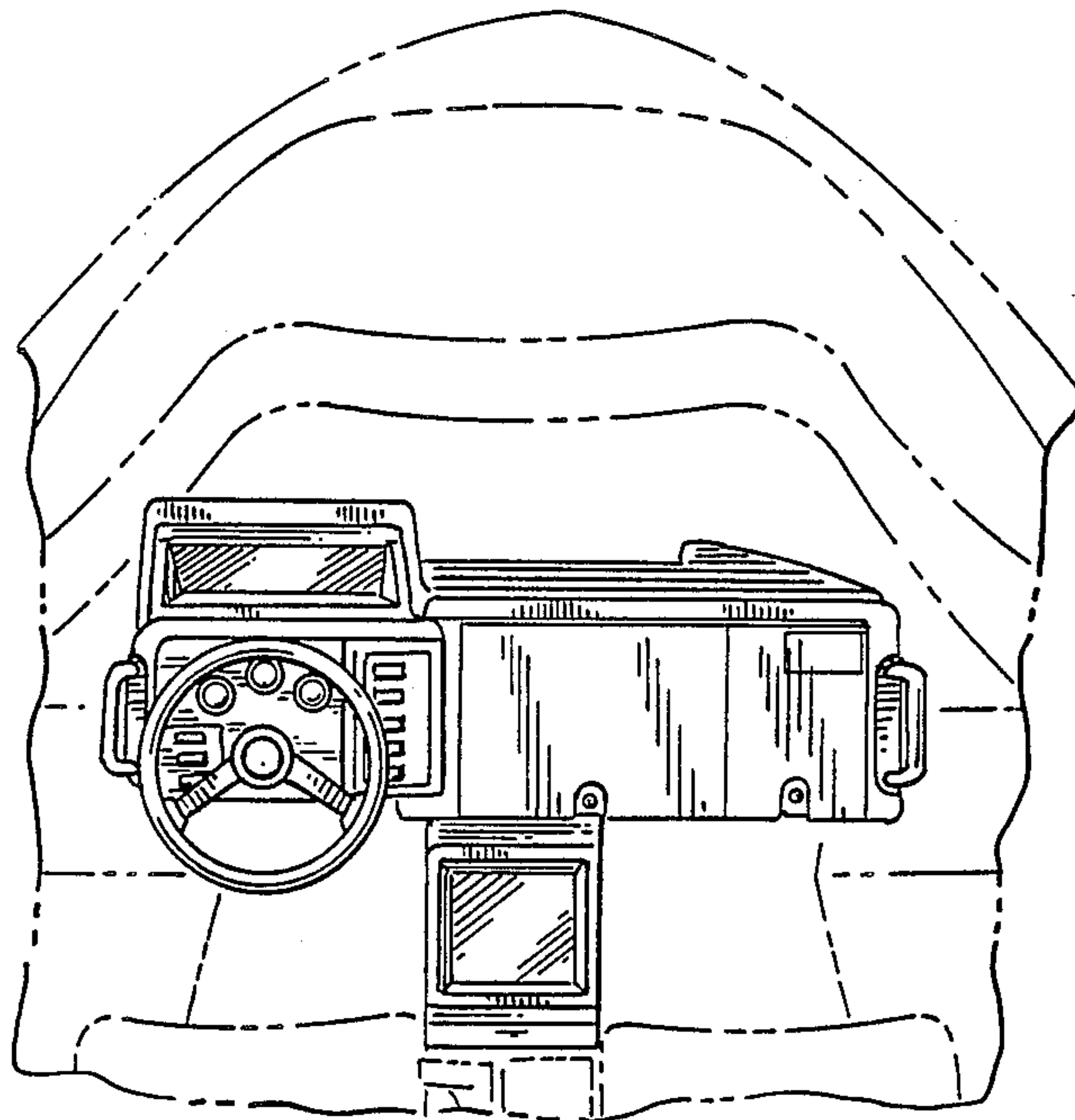


FIG. 1

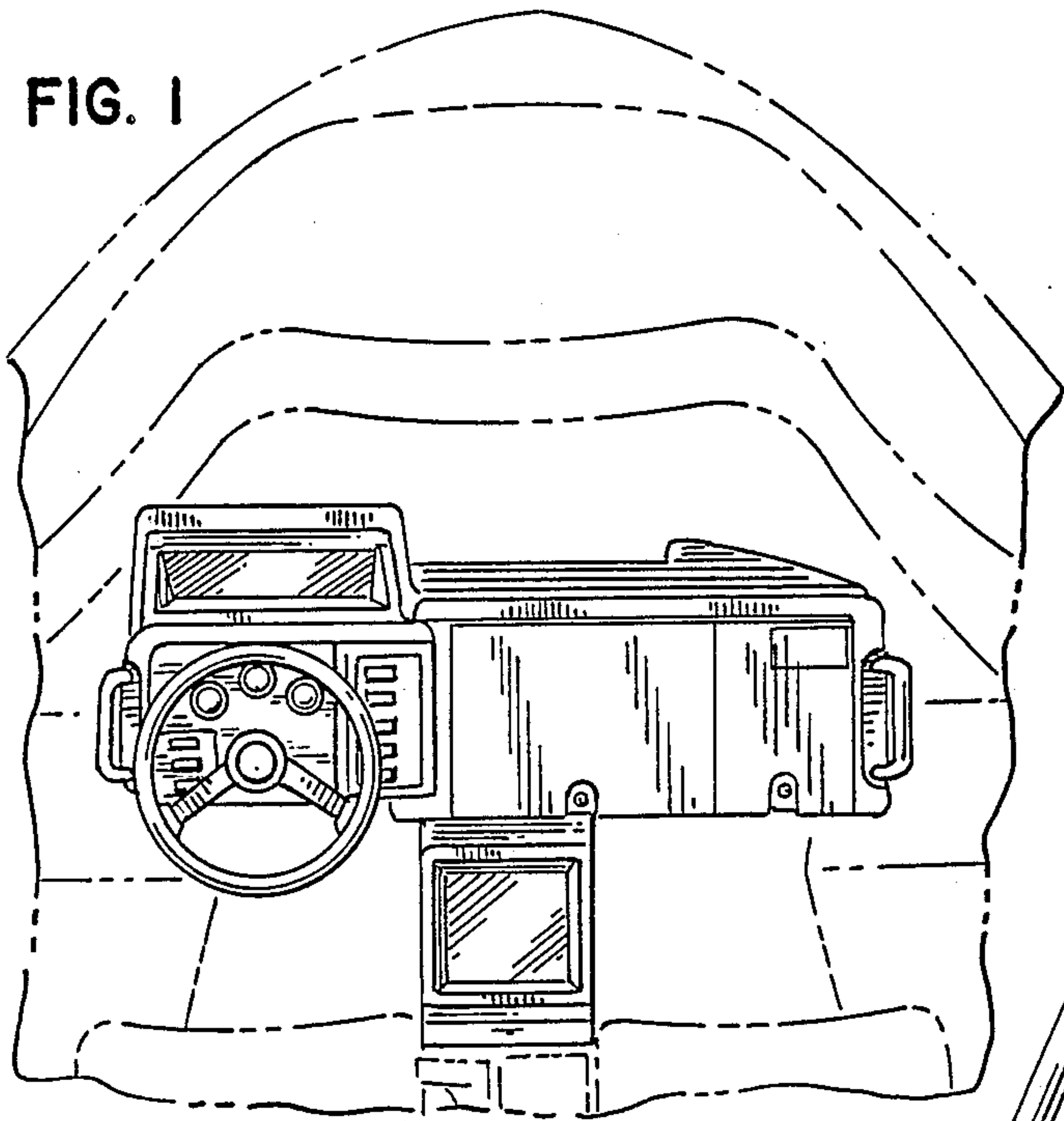


FIG. 3

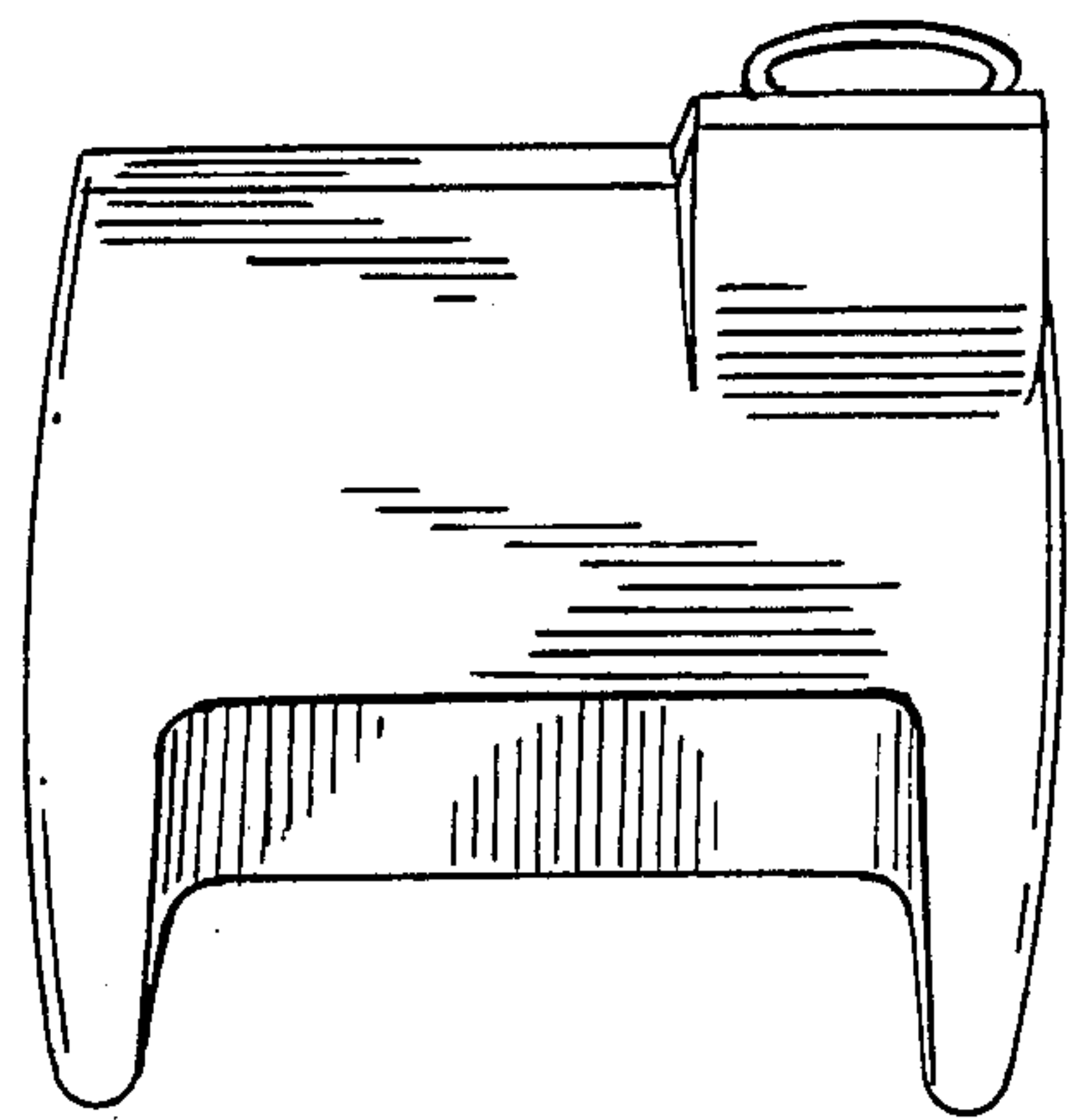


FIG. 6

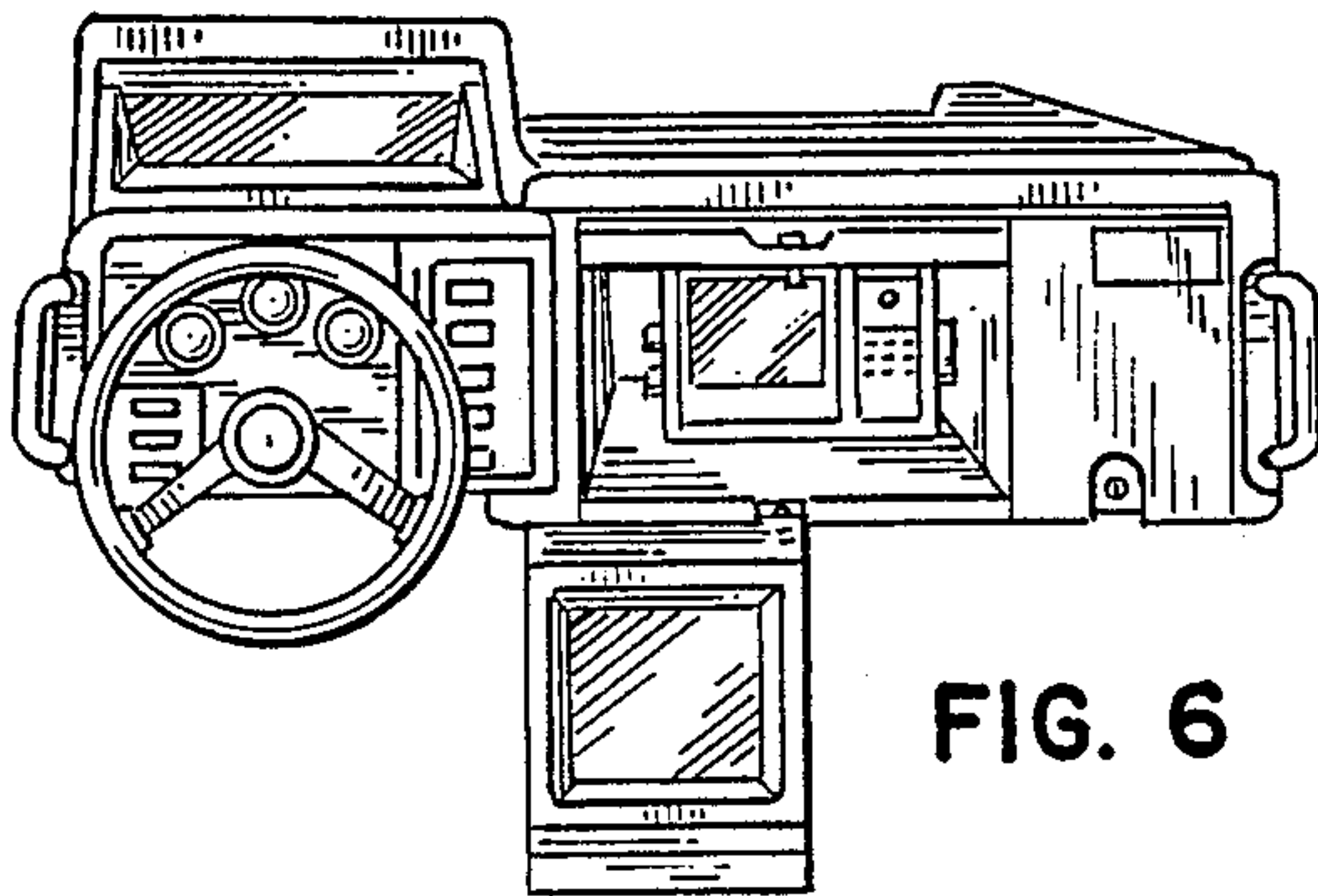


FIG. 4

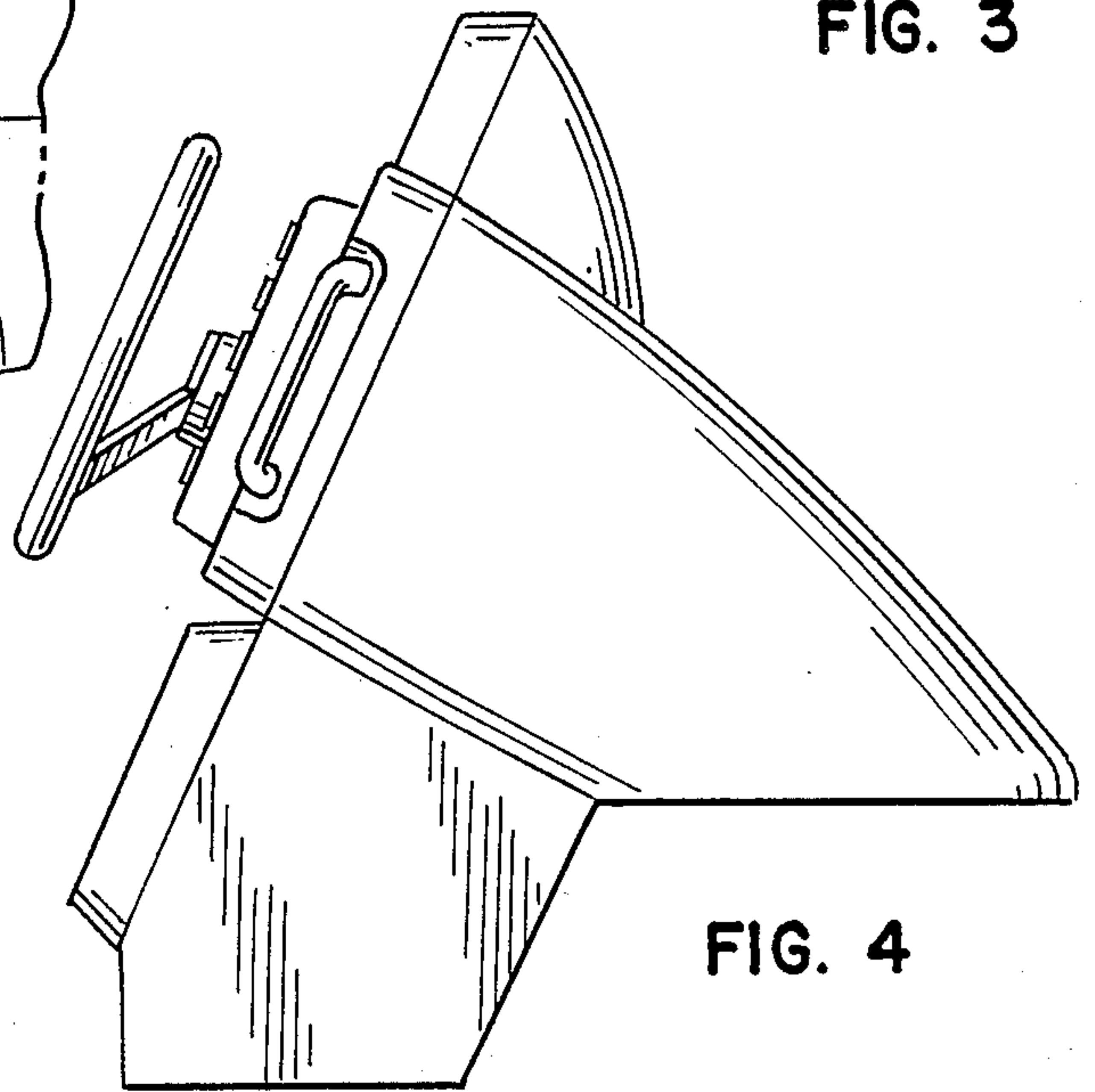
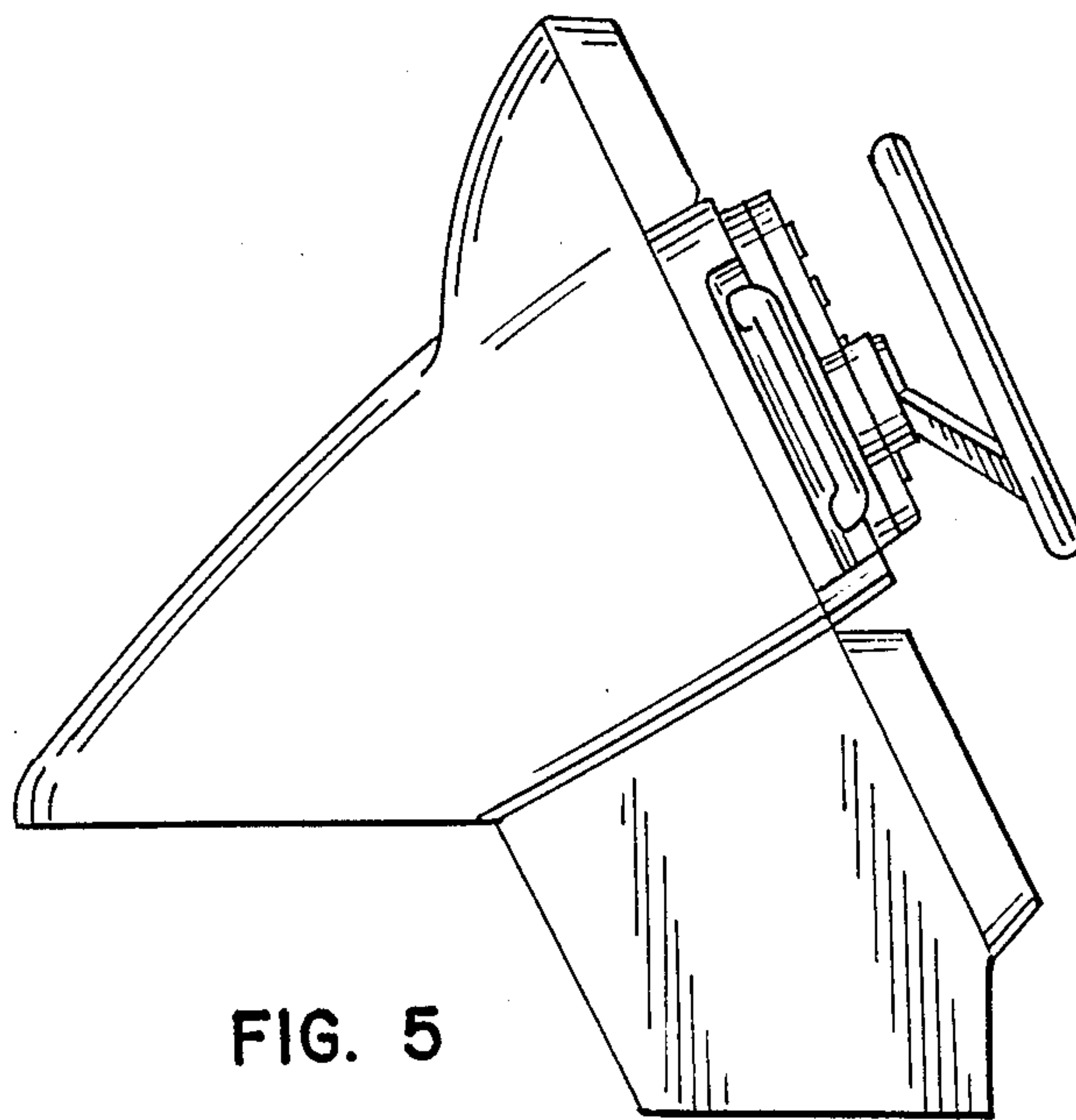


FIG. 5



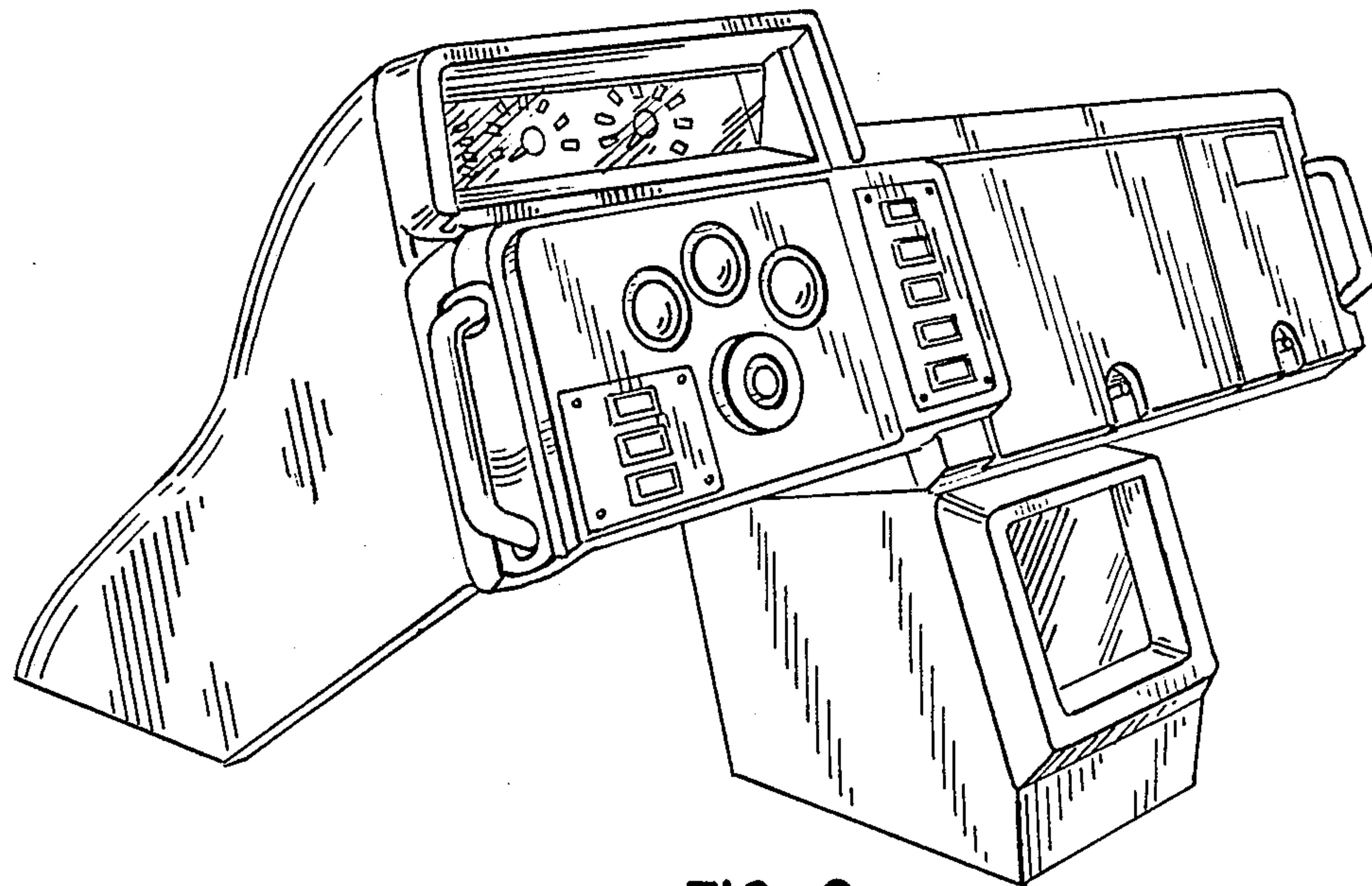


FIG. 2