

United States Patent [19]

Mailhot et al.

[11] Patent Number: **Des. 302,804**

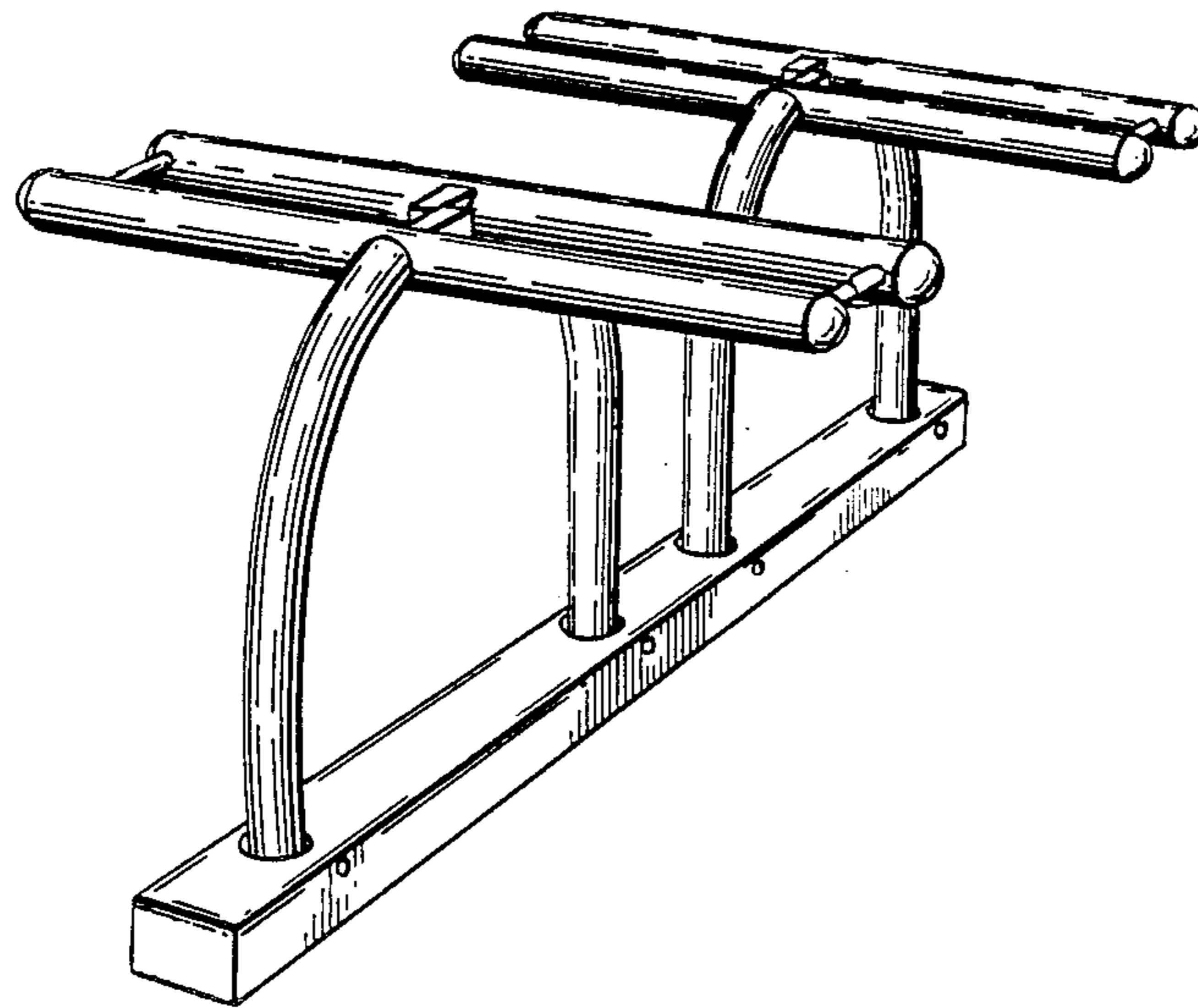
[45] Date of Patent: **** Aug. 15, 1989**

- [54] **ANTITHEFT BICYCLE RACK**
- [75] Inventors: **Jacques Mailhot, Rawdon; Serge Morin, LaSalle, both of Canada**
- [73] Assignee: **Rawdon Metal Inc., Rawdon, Canada**
- [**] Term: **14 Years**
- [21] Appl. No.: **126,281**
- [22] Filed: **Nov. 25, 1987**
- [30] **Foreign Application Priority Data**
 - Jun. 1, 1987 [CA] Canada 01-06-87-3
- [52] U.S. Cl. **D12/115**
- [58] Field of Search D12/115; 211/17, 20, 211/22

- [56] **References Cited**
 - U.S. PATENT DOCUMENTS**
 - D. 232,627 9/1974 Rossi D12/115
 - 3,786,928 1/1974 Johnson D12/115
- Primary Examiner*—James M. Gandy
- Attorney, Agent, or Firm*—Robic, Robic & Associates

[57] **CLAIM**
The ornamental design for an antitheft bicycle rack, as shown and described.

DESCRIPTION
FIG. 1 is a perspective view of an antitheft bicycle rack, showing our new design;
FIG. 2 is a front elevational view thereof, the rear elevational view thereof being identical;
FIG. 3 is a top plan view thereof; and
FIG. 4 is a side elevational view thereof, the other side being identical.



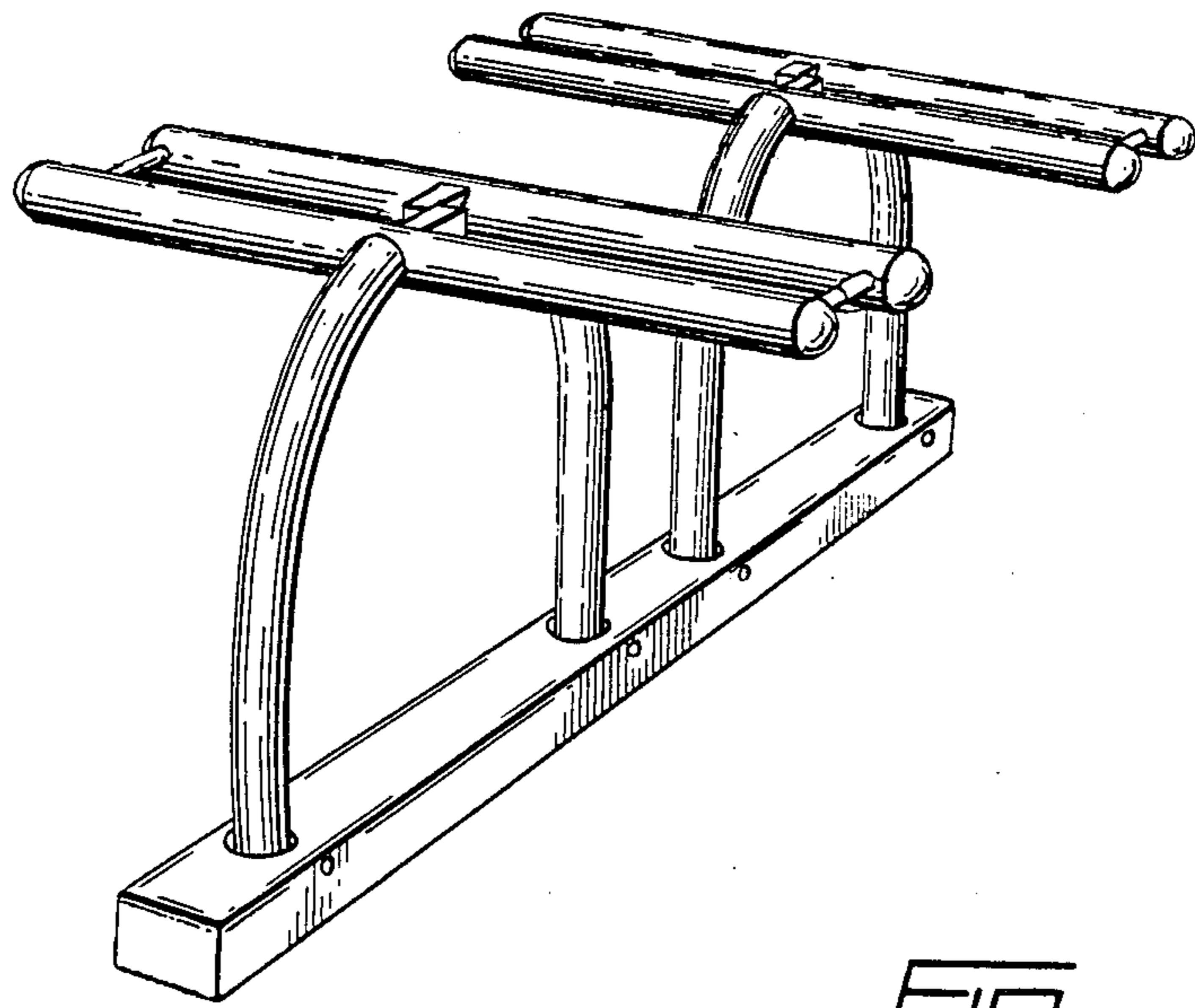


FIG. 1

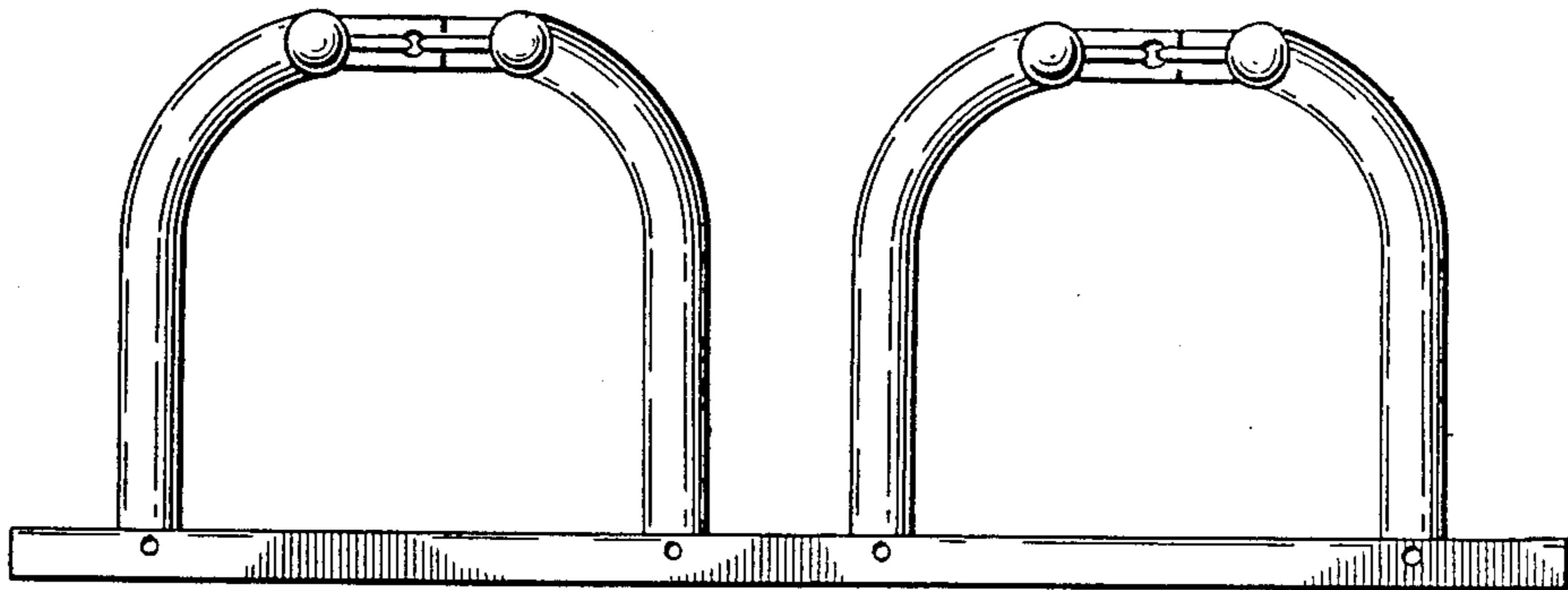


FIG. 2

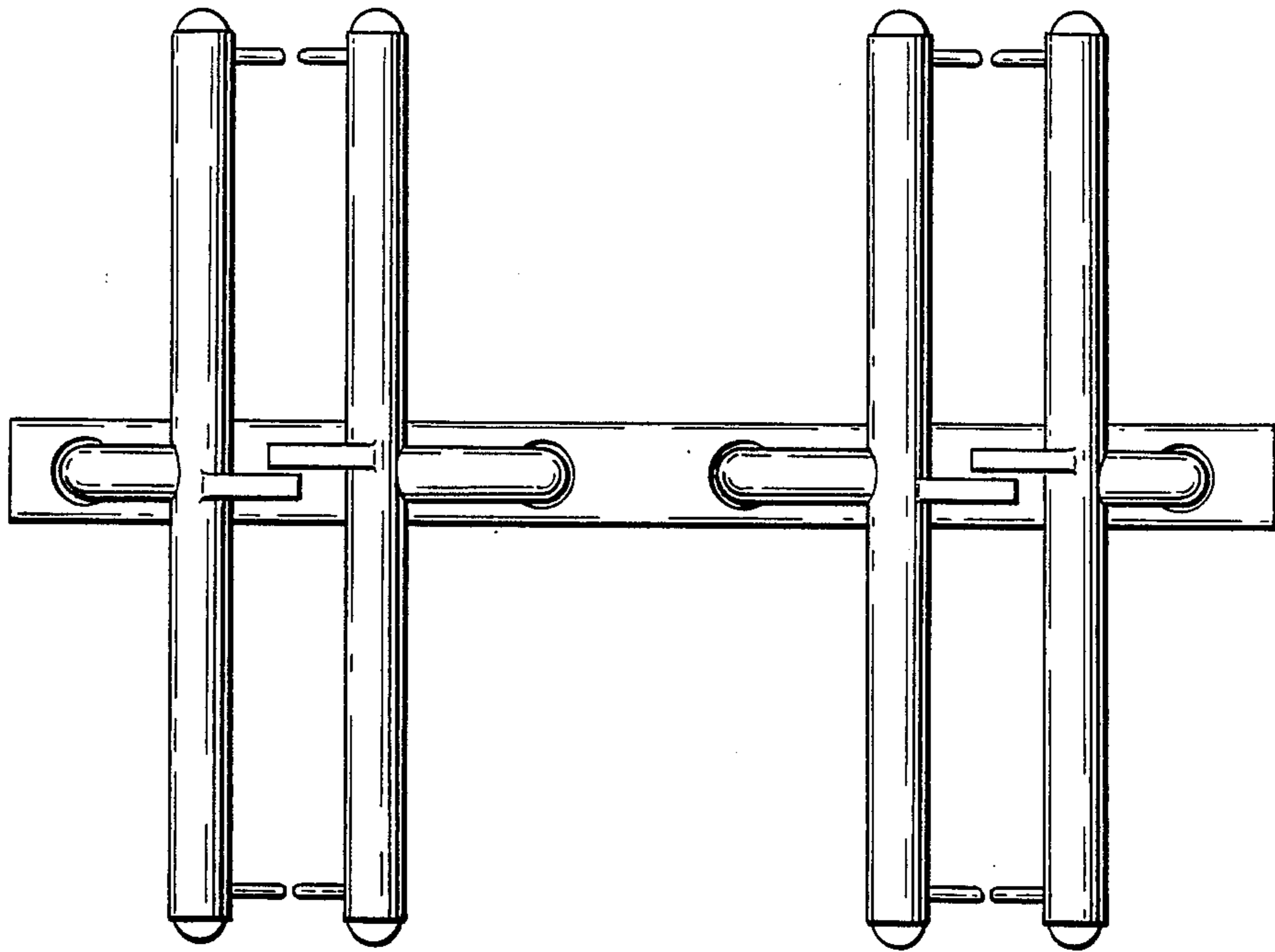


FIG. 3

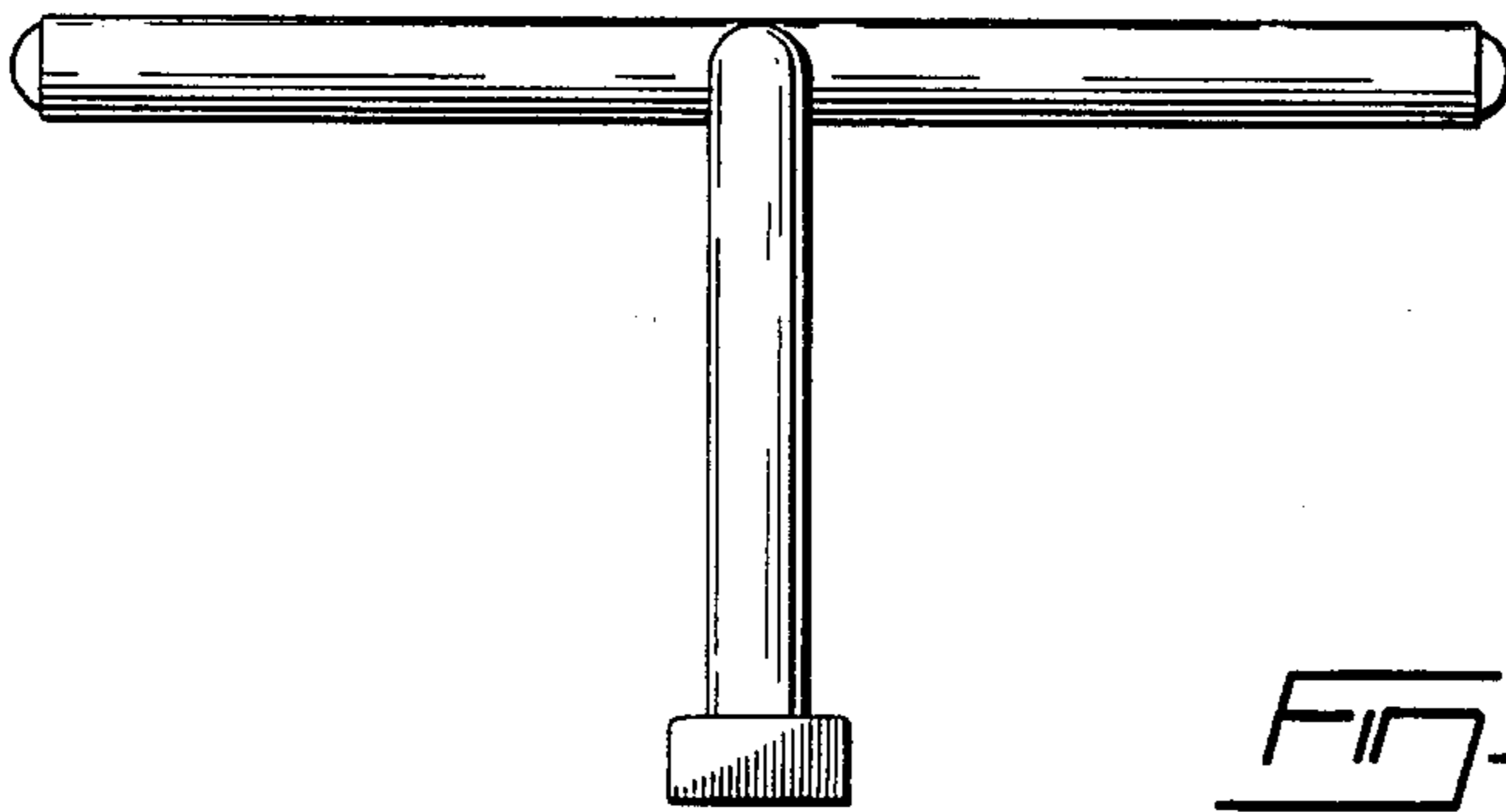


FIG. 4