

[54] **BICYCLE STAND**

[76] **Inventor:** Xavier R. Villanueva, 1819 Howard St., San Ysidro, Calif. 92073

[\*\*] **Term:** 14 Years

[21] **Appl. No.:** 8,407

[22] **Filed:** Jan. 28, 1987

[52] **U.S. Cl.** ..... D12/115

[58] **Field of Search** ..... D12/115; 211/17, 20, 211/22

[56] **References Cited**

**U.S. PATENT DOCUMENTS**

- D. 268,488 4/1983 Arnott et al. .... D12/115
- D. 295,030 4/1988 Wahl ..... D12/115

**FOREIGN PATENT DOCUMENTS**

- 6305 3/1889 United Kingdom ..... 211/22

**OTHER PUBLICATIONS**

Bicycling, 1/74, Bike Tuning Stand, lower right side of page.

*Primary Examiner*—James M. Gandy  
*Attorney, Agent, or Firm*—Baker, Maxham, Jester & Meador

[57] **CLAIM**

The ornamental design for a bicycle stand, as shown.

**DESCRIPTION**

FIG. 1 is a perspective view of a bicycle stand showing my new design;

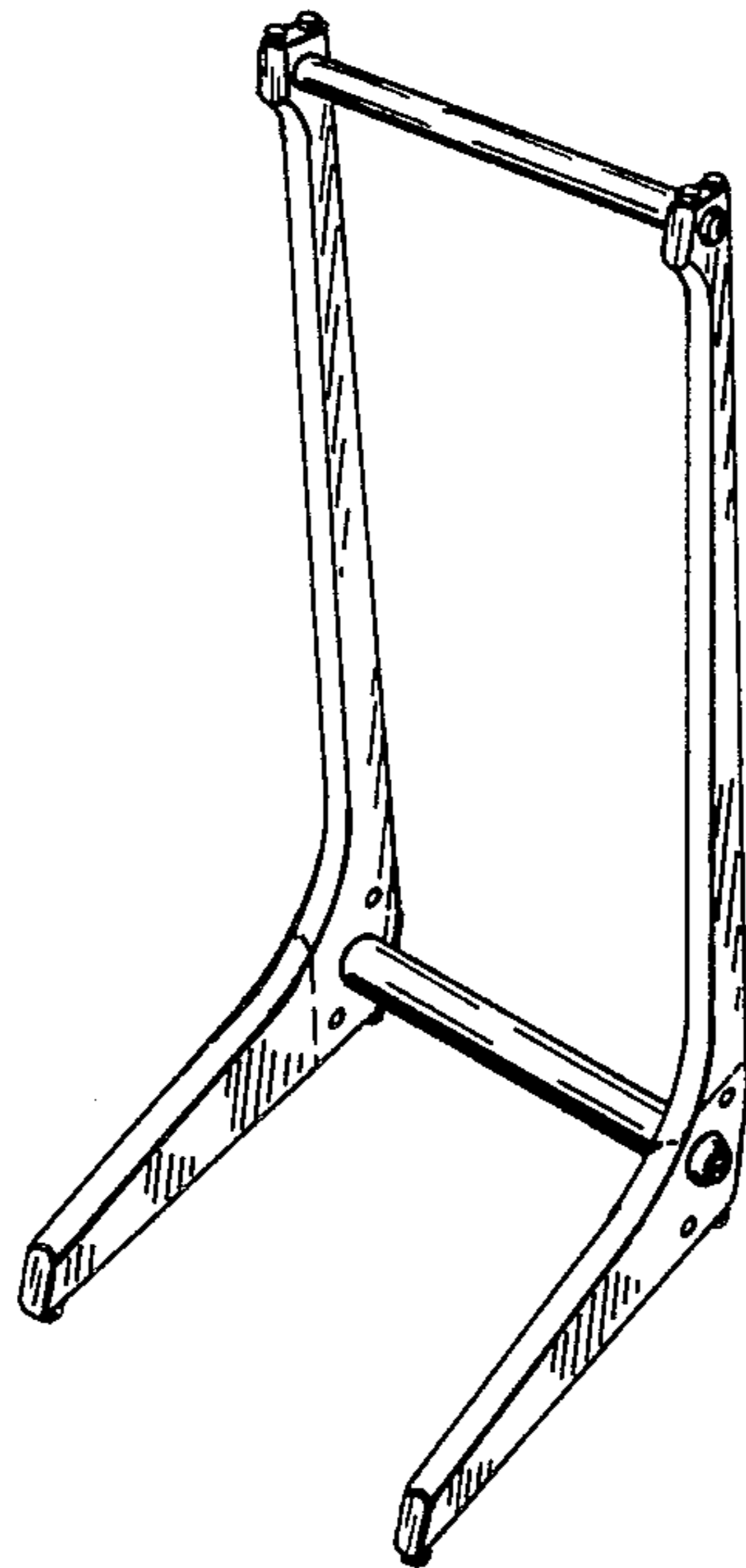
FIG. 2 is a left side elevation view thereof;

FIG. 3 is a front elevation view thereof;

FIG. 4 is a rear elevation view thereof;

FIG. 5 is a top plan view thereof; and

FIG. 6 is a bottom plan view thereof.



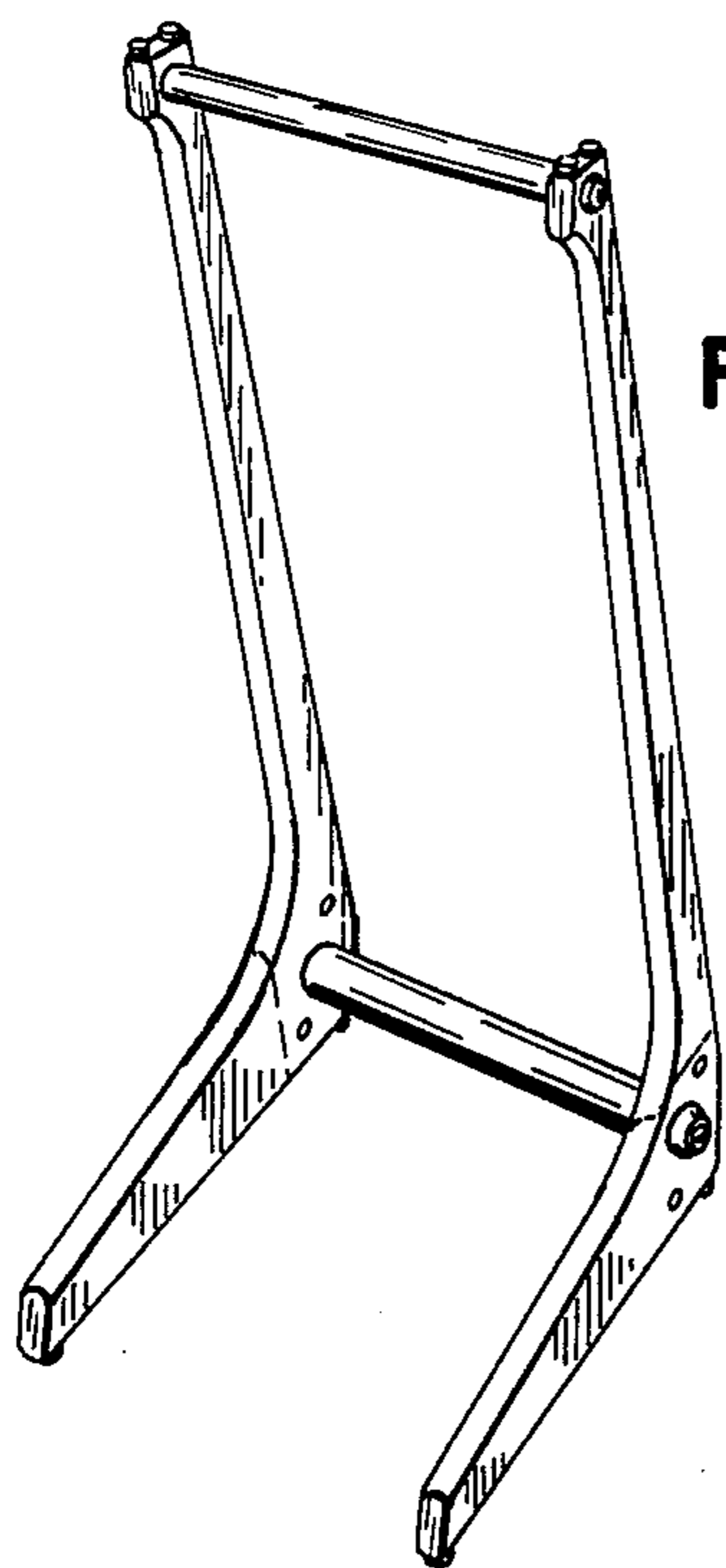


FIG. 1

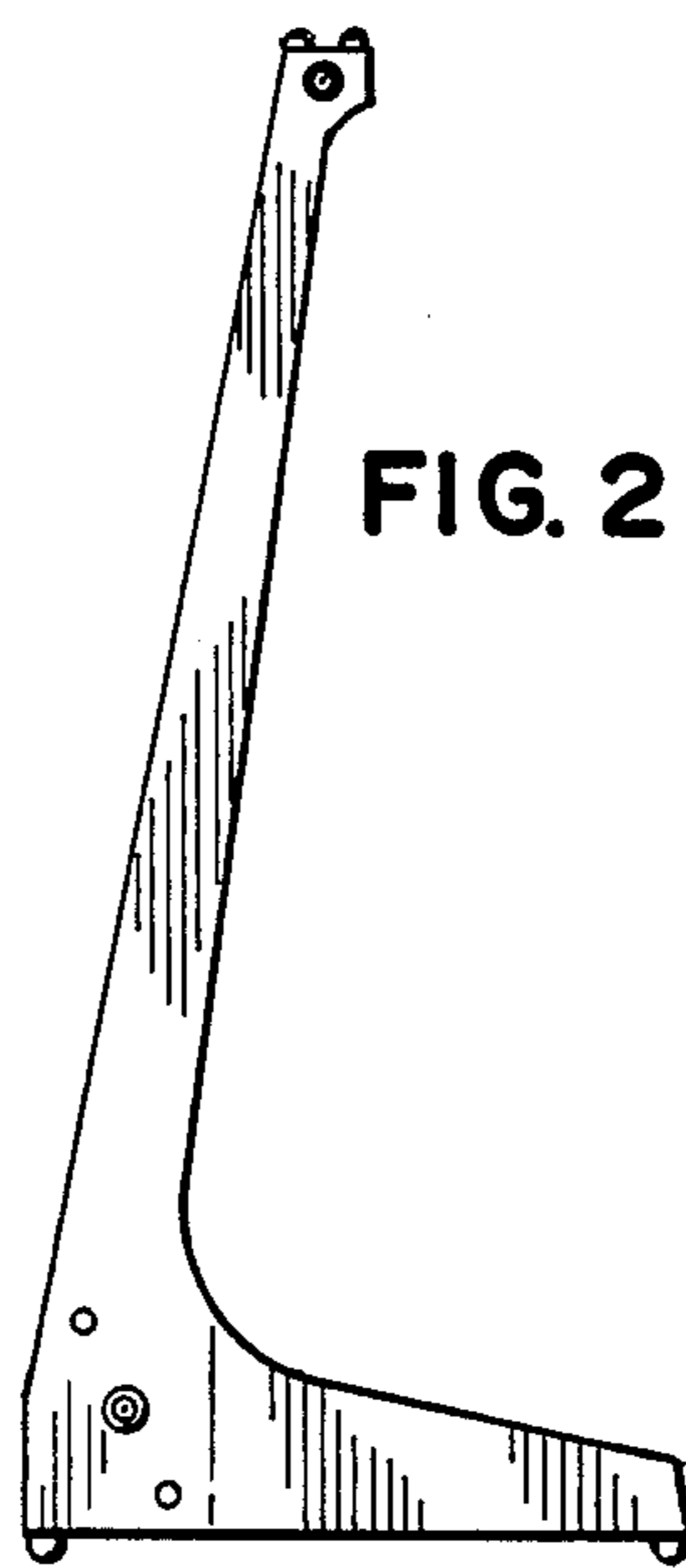


FIG. 2

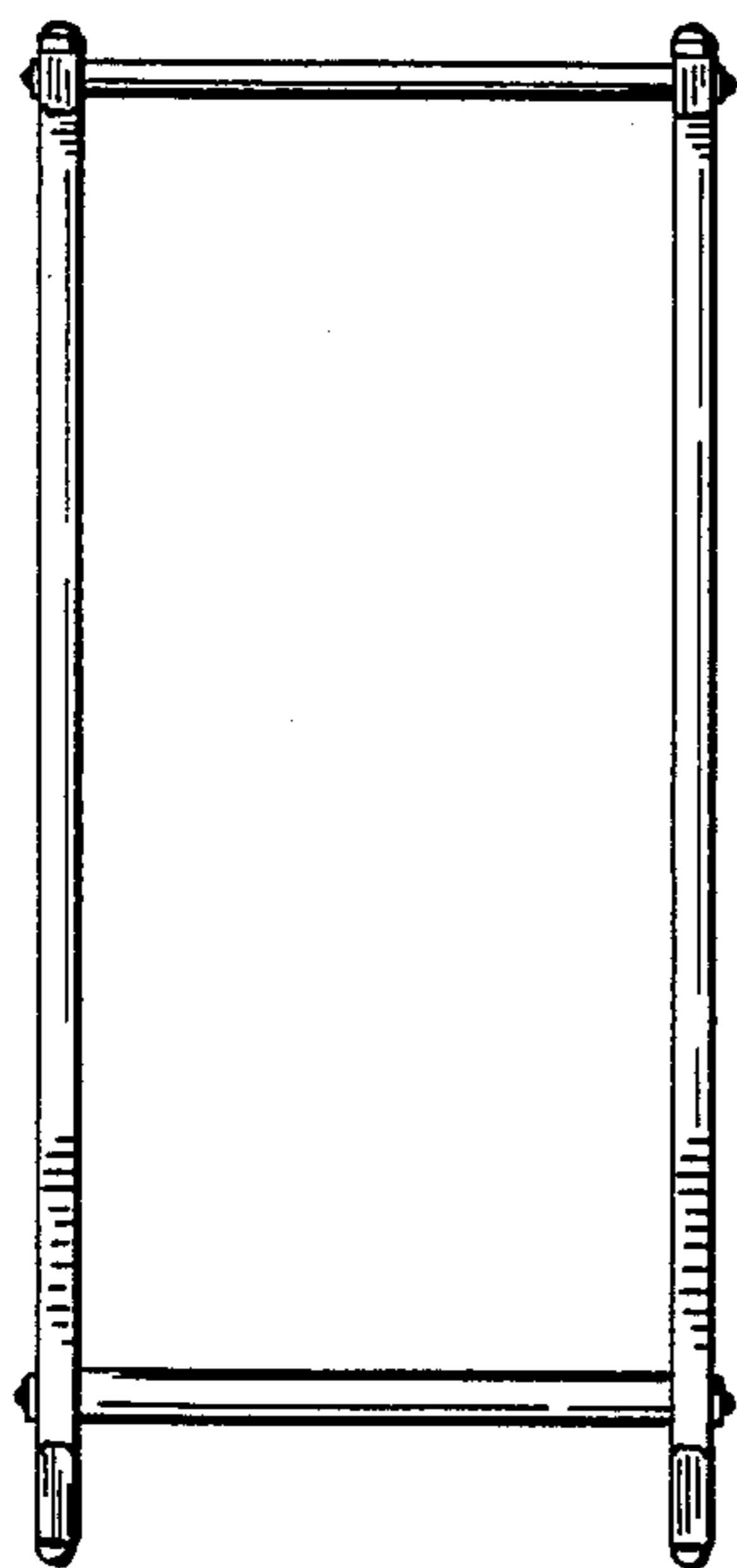


FIG. 3

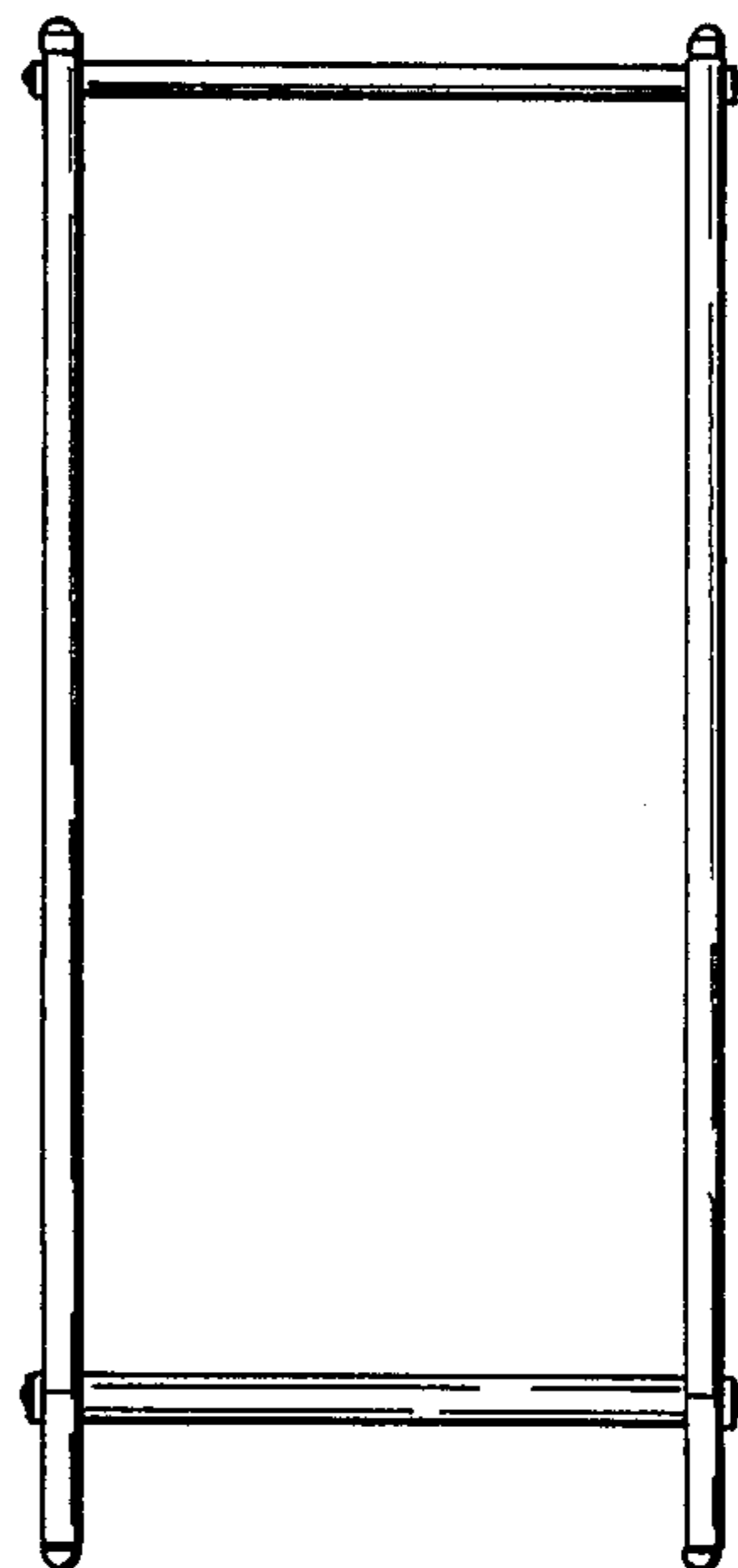


FIG. 4

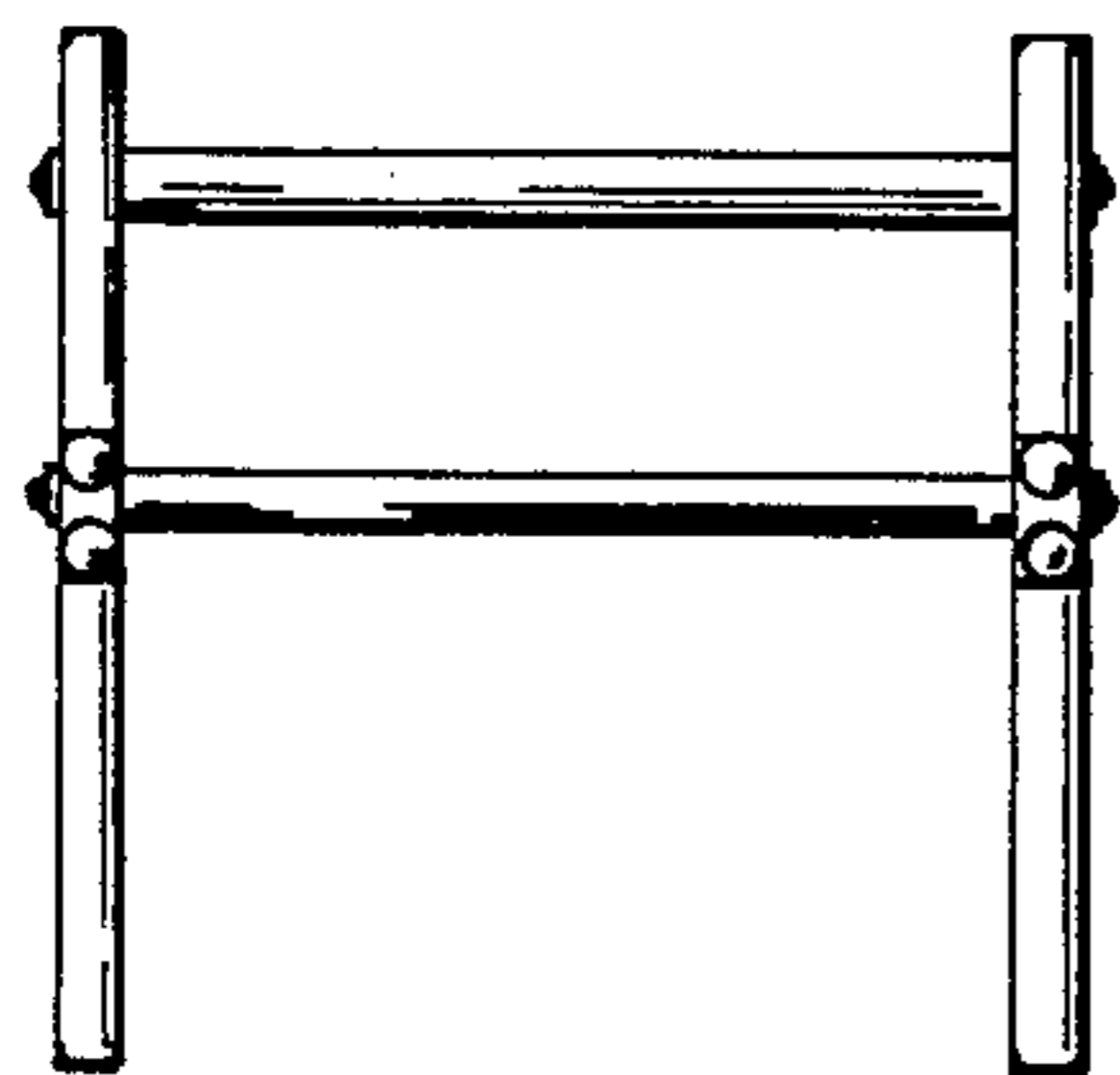


FIG. 5

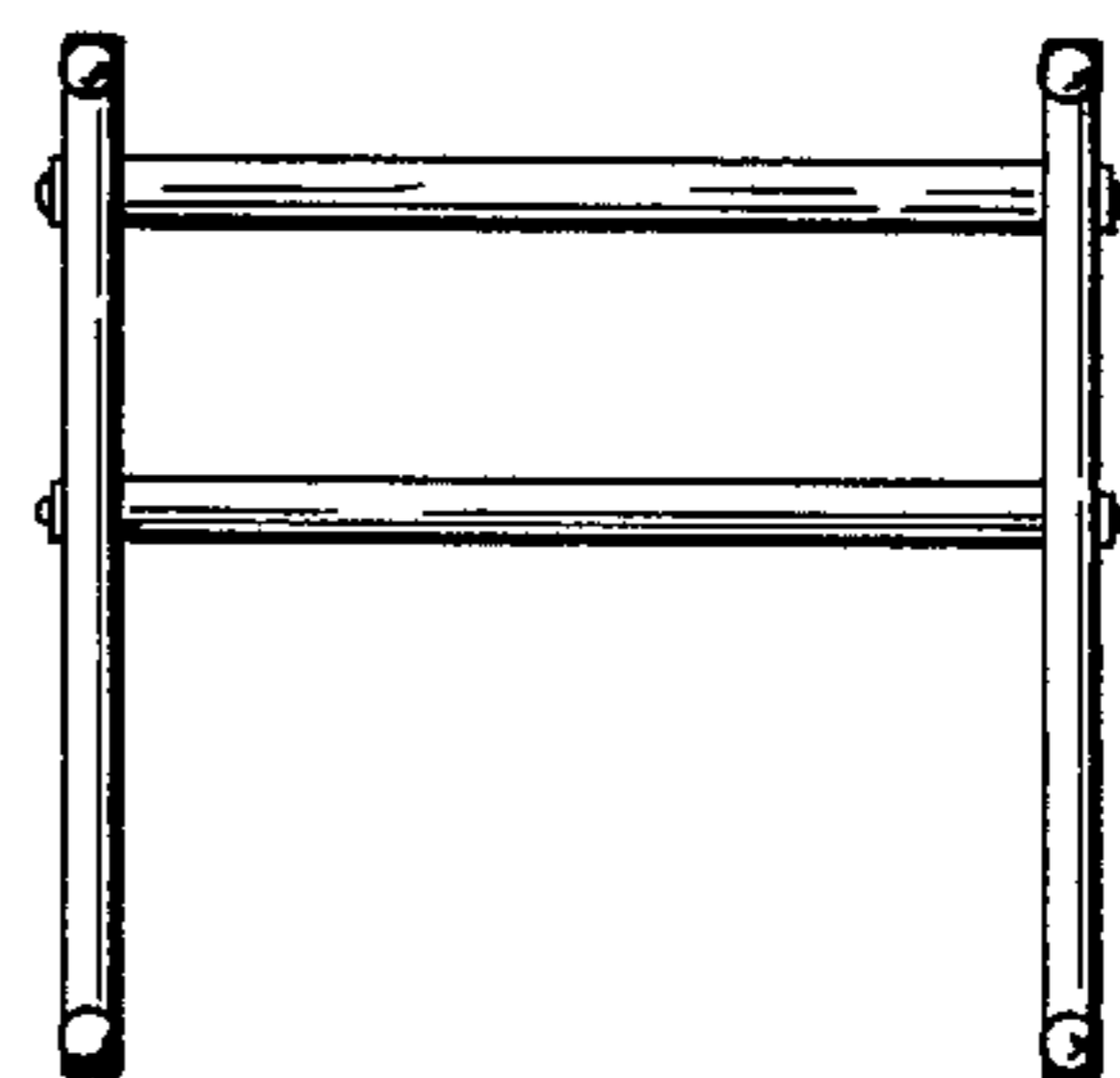


FIG. 6