

[54] CORNER PAD

4,072,231 2/1978 Helms 248/345.1

[76] Inventor: David Levine, 3555 Geary Blvd., San Francisco, Calif. 94118

Primary Examiner—B. J. Bullock
Attorney, Agent, or Firm—Nilsson, Robbins, Dalgarn, Berliner, Carson & Wurst

[**] Term: 14 Years

[57] CLAIM

[21] Appl. No.: 282,356

The ornamental design for a corner pad, as shown and described.

[22] Filed: Dec. 9, 1988

[52] U.S. Cl. D8/403

[58] Field of Search D8/403; 206/586; 229/DIG. 1; 248/345.1

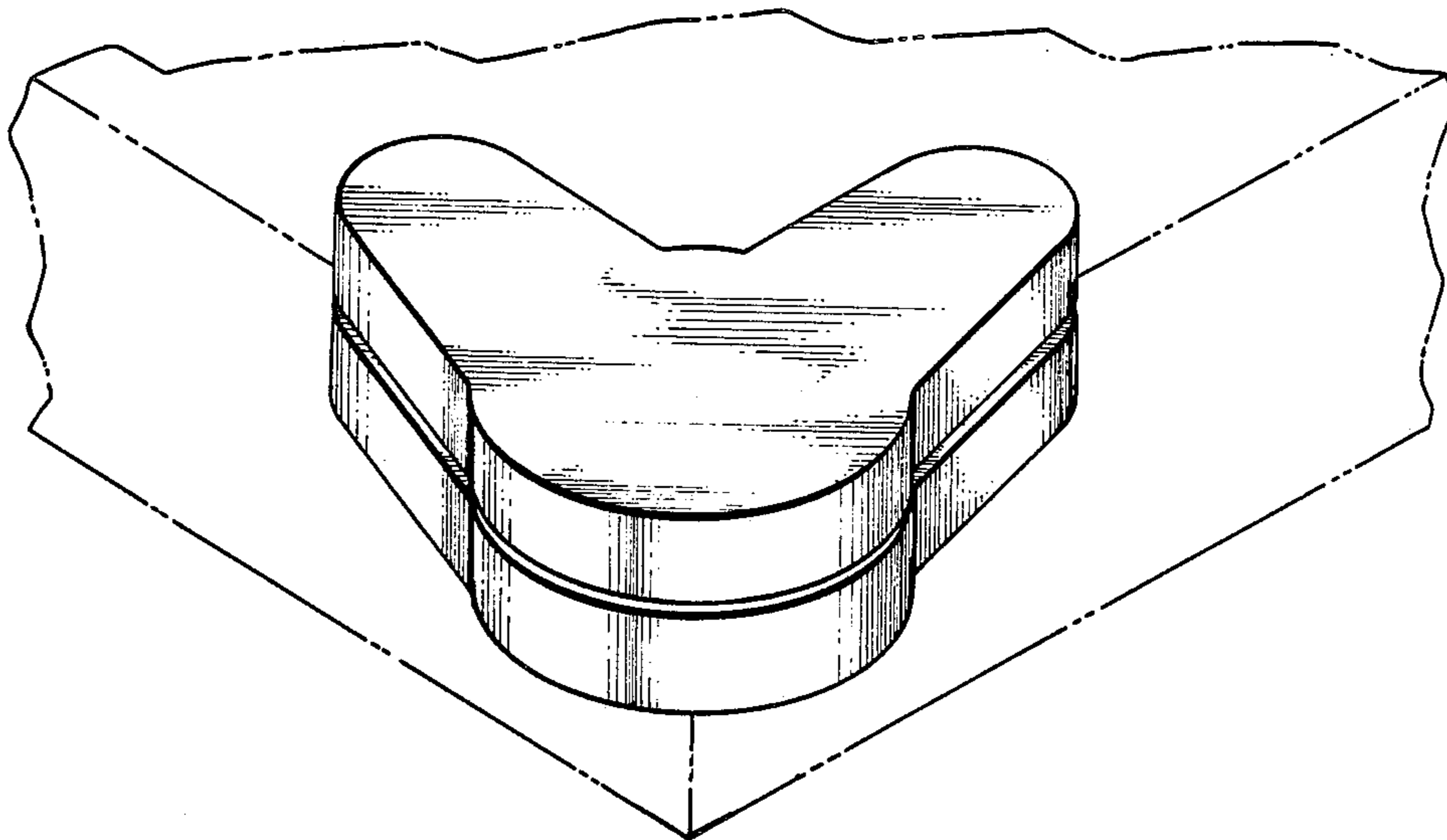
DESCRIPTION

[56] References Cited

U.S. PATENT DOCUMENTS

- D. 49,615 9/1916 Lowy D8/403
- D. 249,314 9/1978 Wilde et al. D8/403
- 3,030,728 4/1962 Wesman 206/586
- 3,150,854 9/1964 Jamieson 248/345.1

FIG. 1 is a front perspective view of a corner pad showing my new design, the broken line showing of the horizontal surface being for illustrative purposes only; FIG. 2 is a top plan view thereof; FIG. 3 is a right side elevational view thereof; FIG. 4 is a rear elevational view thereof; FIG. 5 is an elevational view rotated 45° from FIG. 4; and FIG. 6 is a bottom plan view thereof.



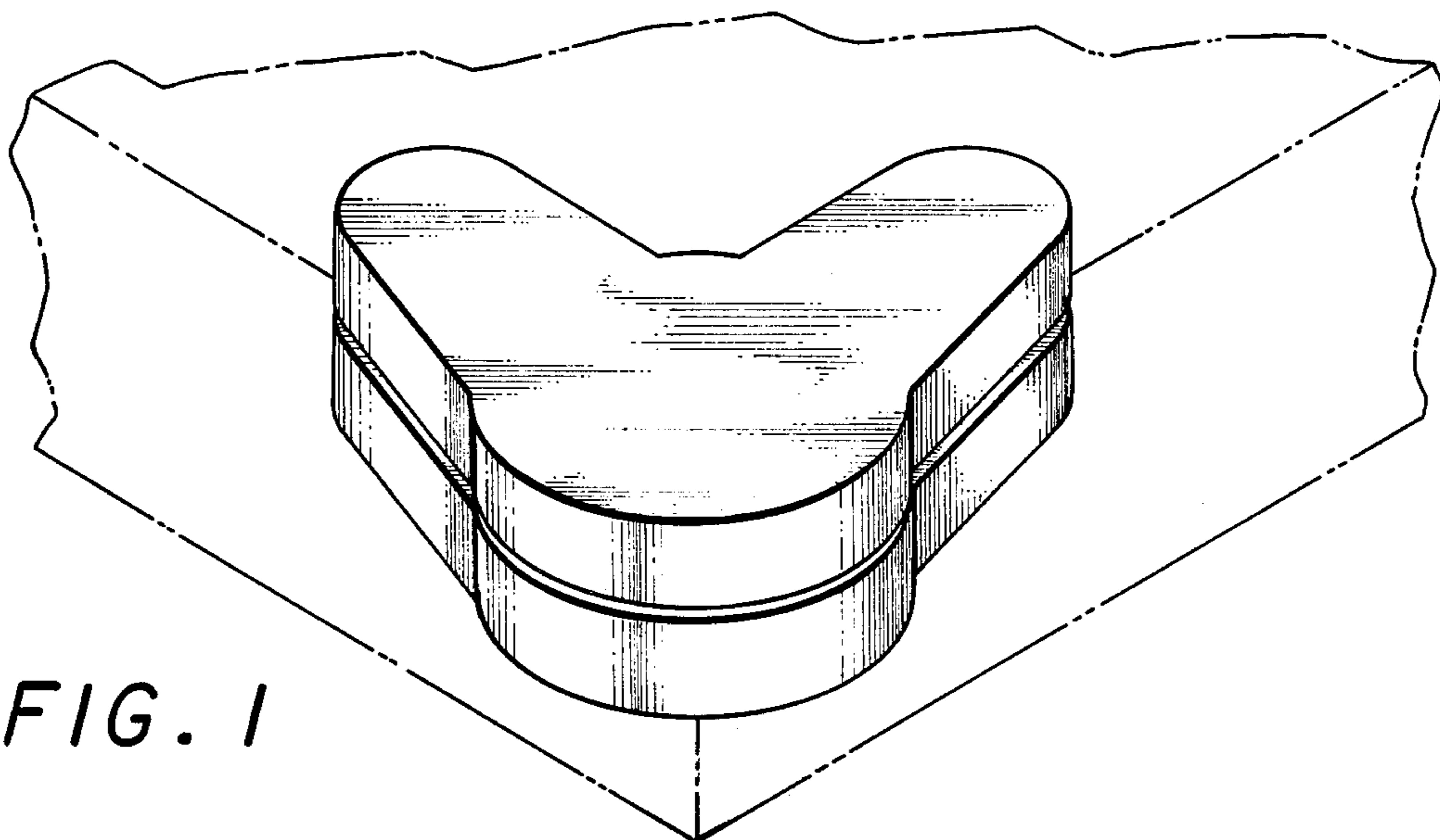


FIG. 1

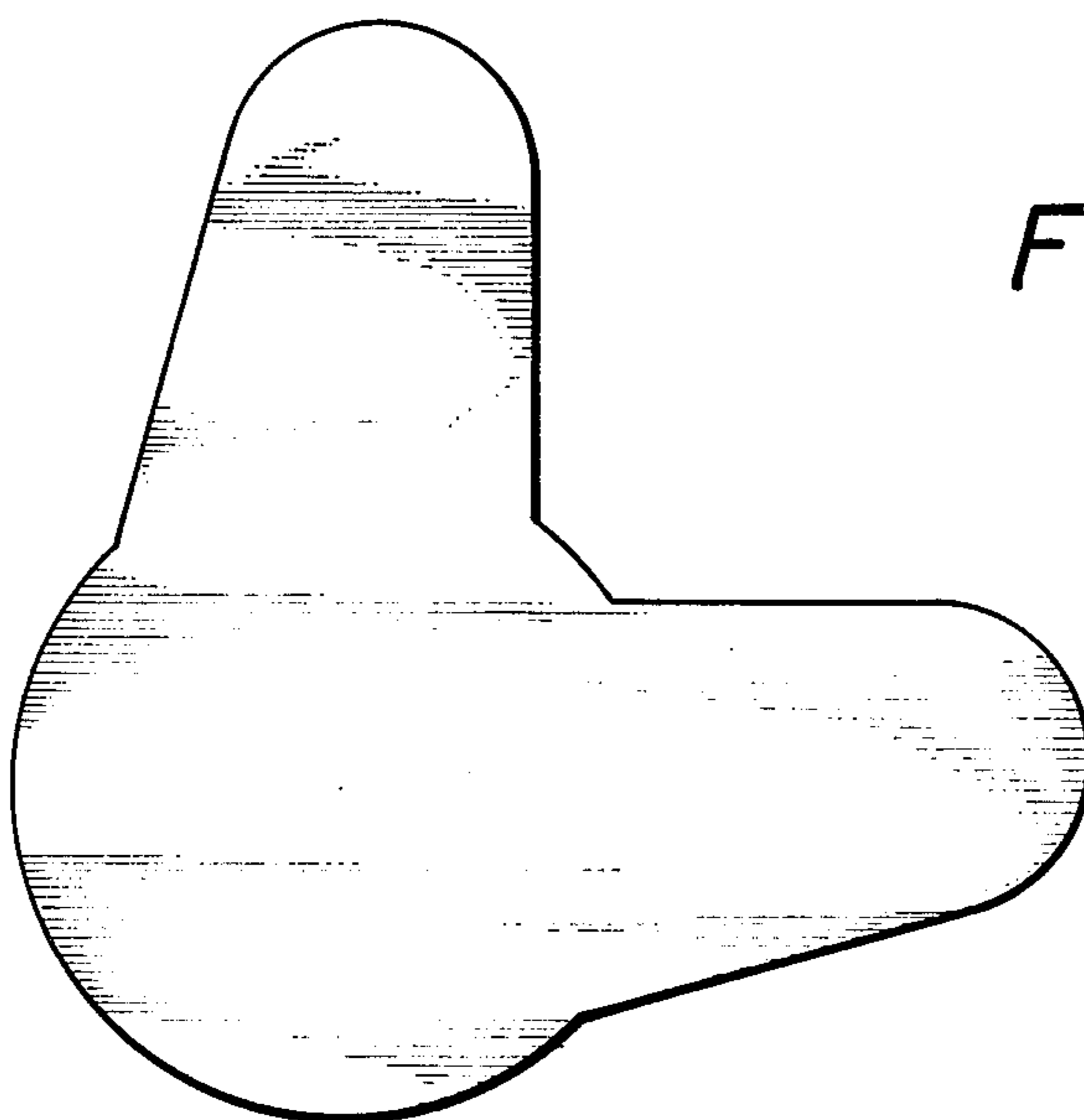


FIG. 2

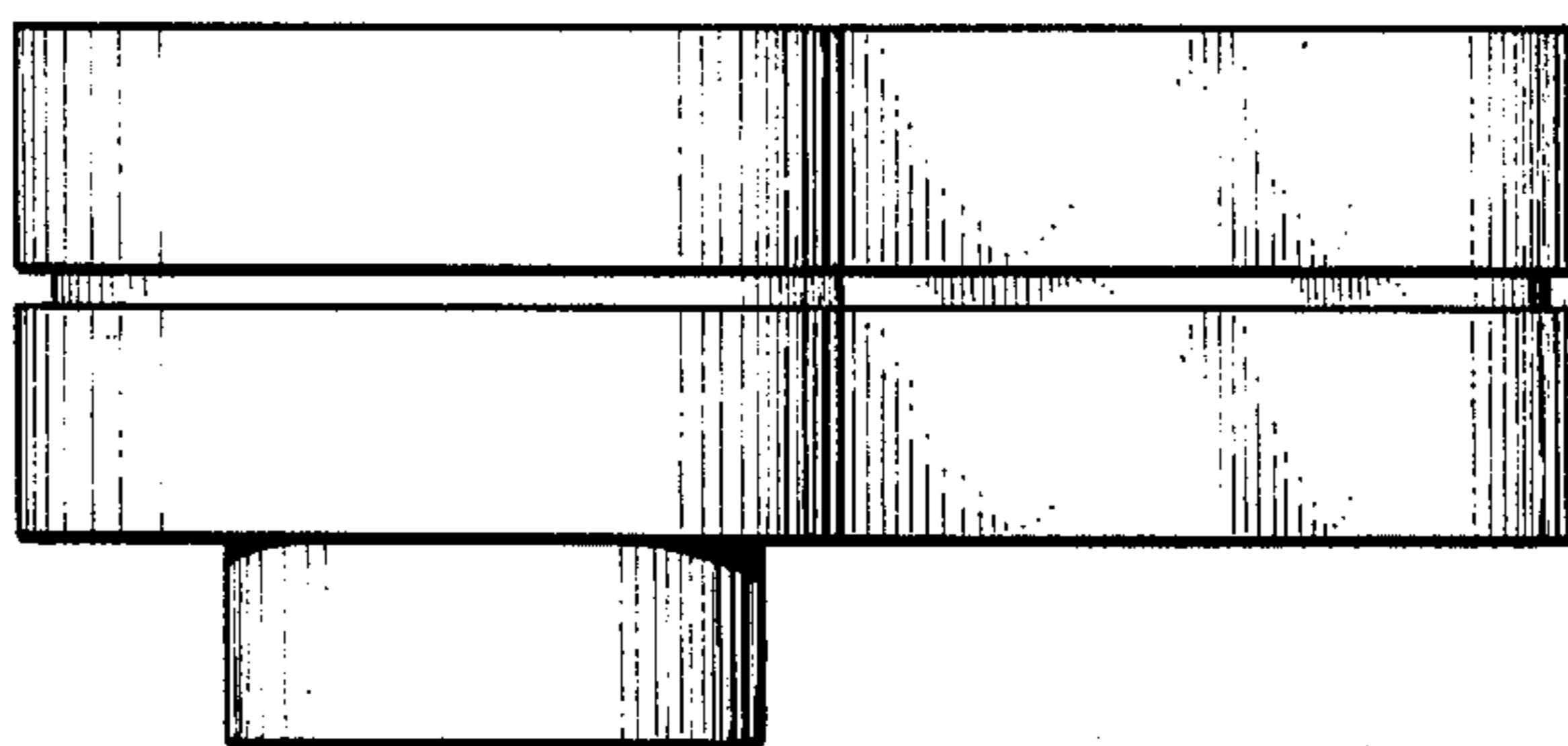


FIG. 3

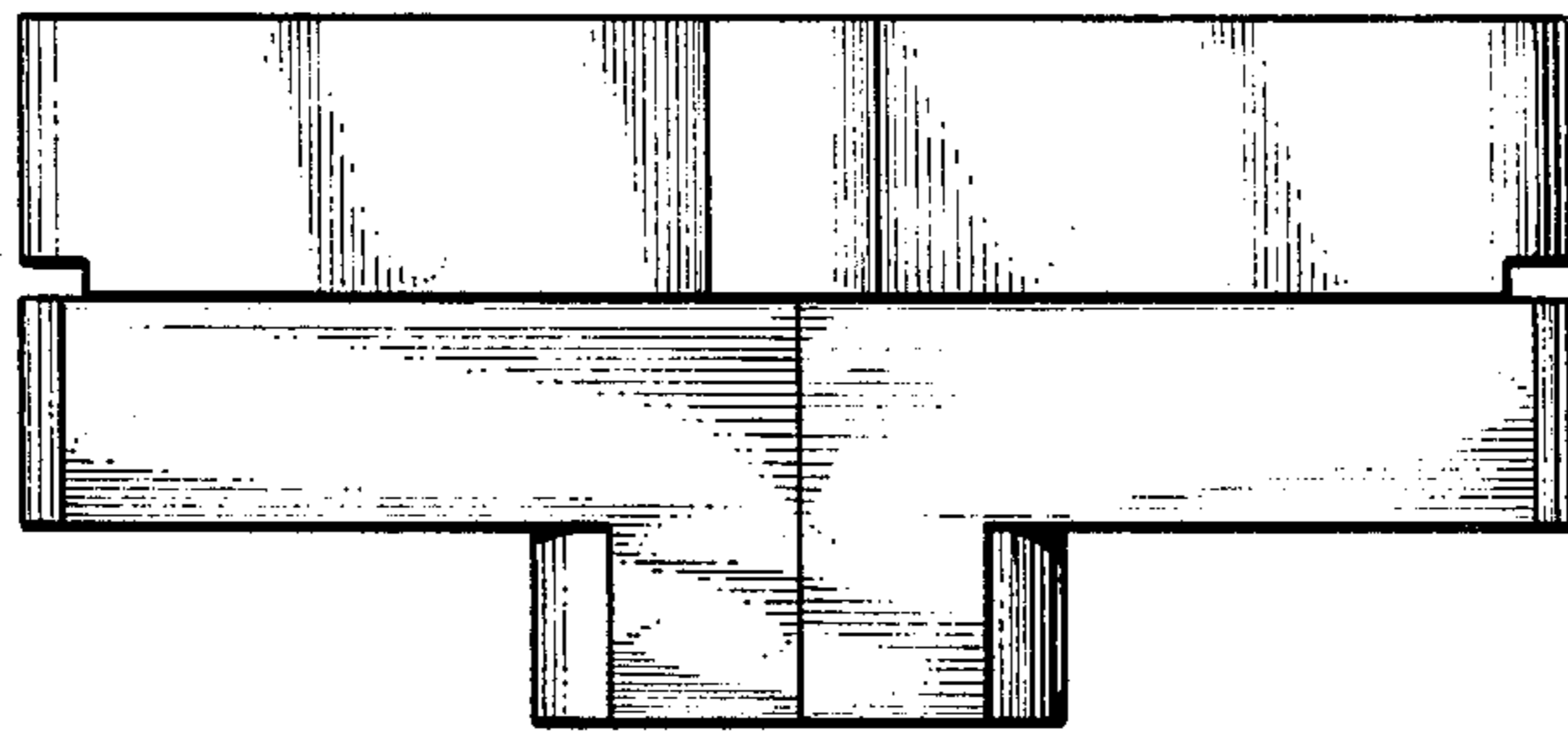


FIG. 4

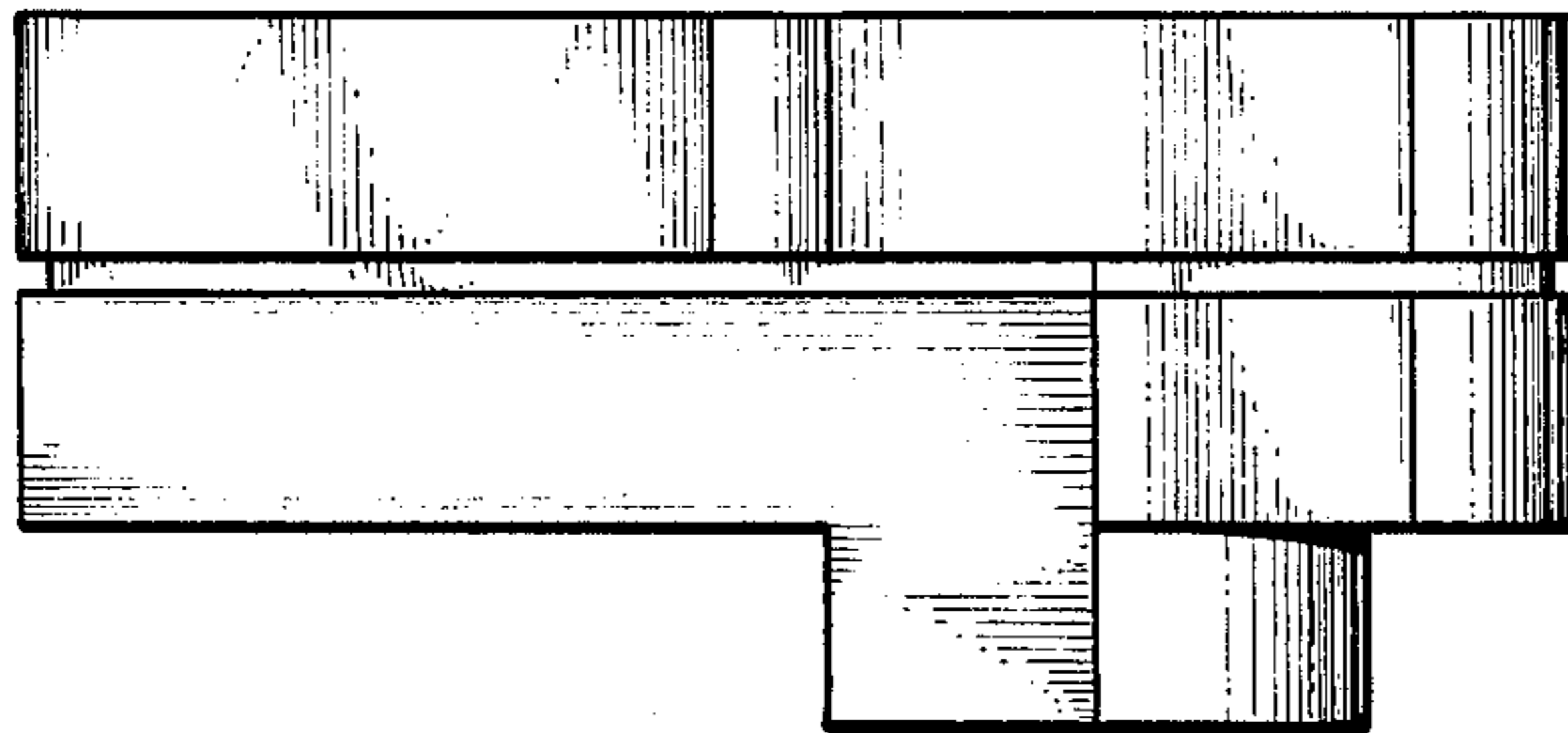


FIG. 5

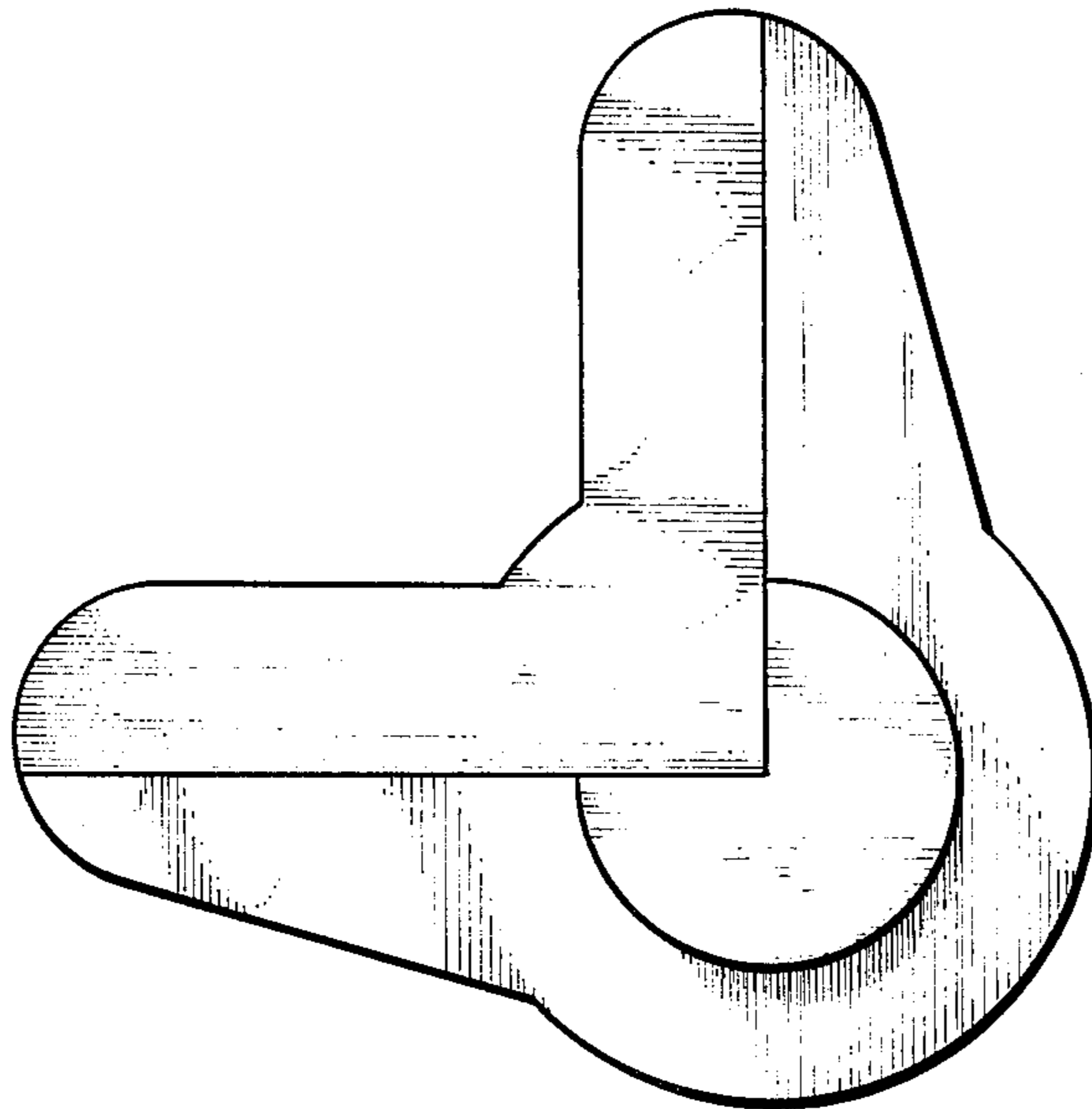


FIG. 6