

[54] ELECTRIC SCREW DRIVER

[75] Inventors: Fusao Fushiya; Tetsuhisa Kaneko, both of Anjo, Japan

[73] Assignee: Makita Electric Works, Ltd., Japan

[**] Term: 14 Years

[21] Appl. No.: 51,064

[22] Filed: May 15, 1987

[30] Foreign Application Priority Data

Nov. 10, 1986 [JP] Japan 61-44378

[52] U.S. Cl. D8/68

[58] Field of Search D8/61, 68, 69; 81/54, 81/57.11, 57.14, 429; 173/613, 170; 408/124, 125, 127; 310/50

[56] References Cited

U.S. PATENT DOCUMENTS

2,940,488	6/1960	Riley, Jr.	81/429
3,460,408	8/1969	Raymond	81/429
4,251,120	2/1981	Wolff	408/124
4,762,035	8/1988	Fushiya et al.	81/54

OTHER PUBLICATIONS

AEG Heavy Duty Power Tool Catalog 1977, p. 35, locking collars for screwdrivers.

Product flyers for Makita power tools Models Nos. 6710DW; 6010DW; 6012DW; 6012MDW; 8400DW; 6070DW; 6071DW; 6092DW; and 6072DW.

Primary Examiner—Bruce W. Dunkins

Assistant Examiner—Clare E. Heflin

Attorney, Agent, or Firm—Lahive & Cockfield

[57] CLAIM

The ornamental design for an electric screw driver, as shown.

DESCRIPTION

FIG. 1 is a top perspective view of the electric screw driver showing our new design;

FIG. 2 is a bottom perspective view;

FIG. 3 is a top plan view thereof;

FIG. 4 is a front elevational view thereof;

FIG. 5 is a left side elevational view thereof;

FIG. 6 is a bottom plan view thereof;

FIG. 7 is a rear elevational view thereof; and

FIG. 8 is a right side elevational view thereof.

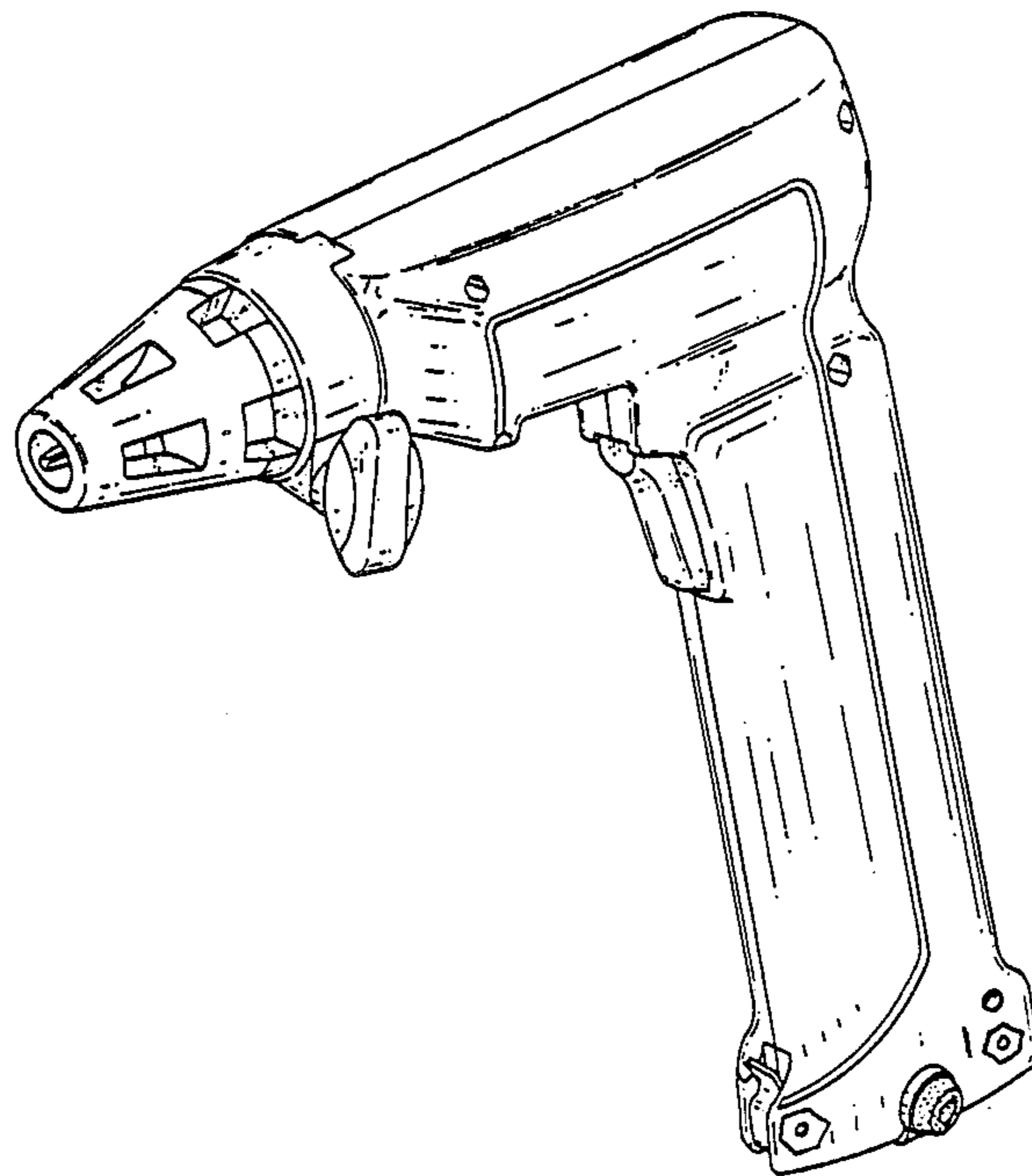


FIG. 1

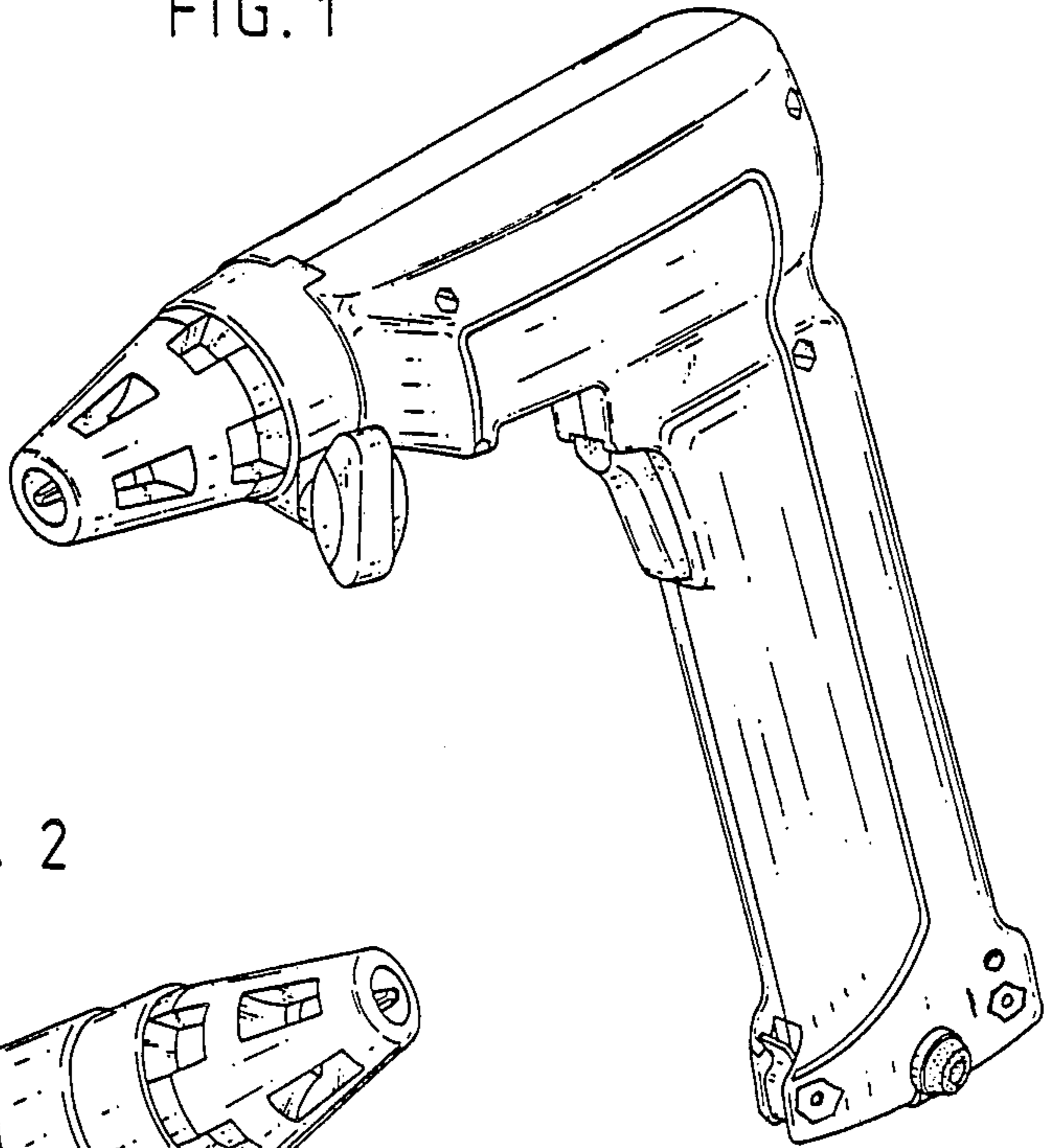


FIG. 2

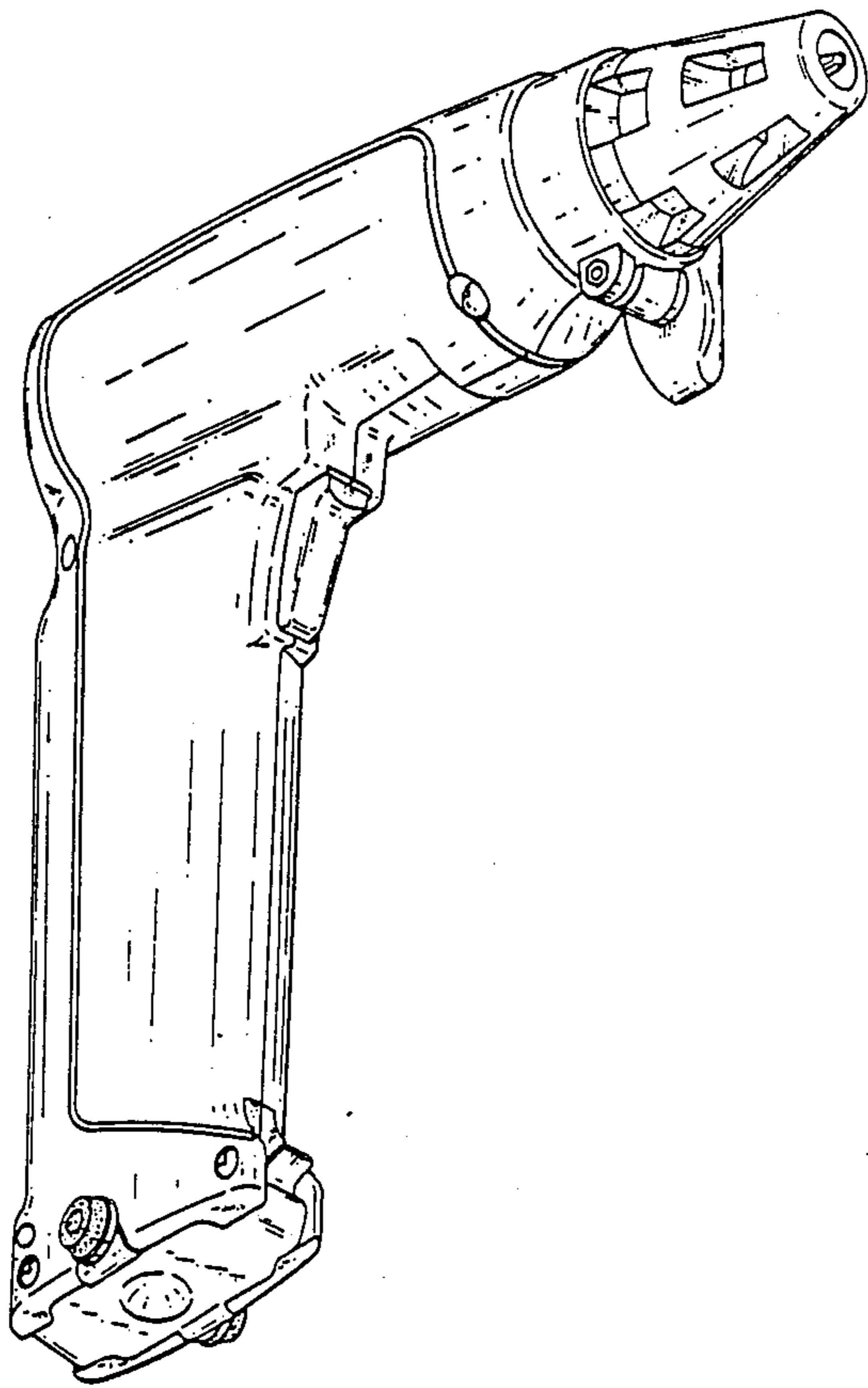


FIG. 3

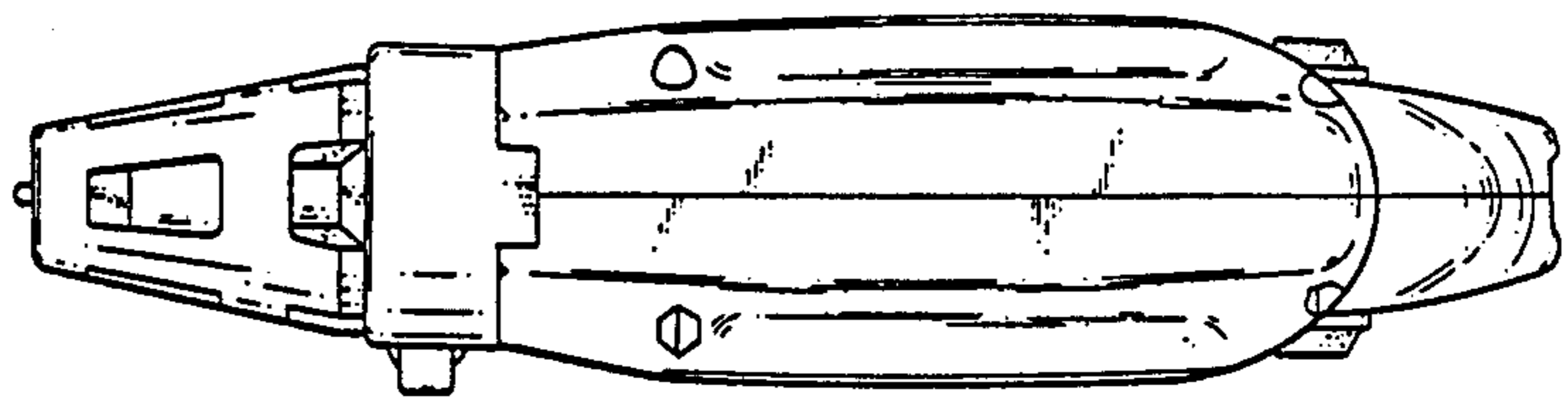


FIG. 5

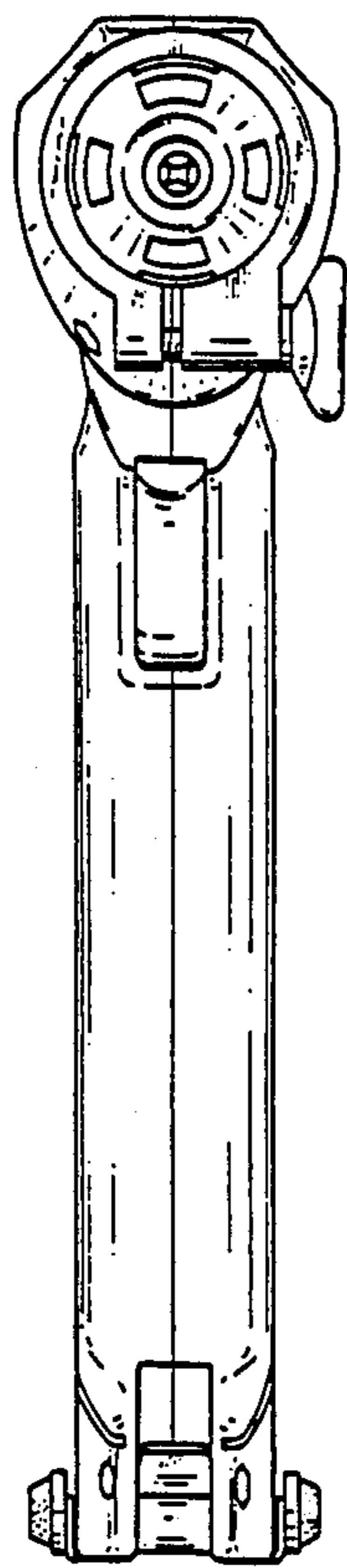


FIG. 4

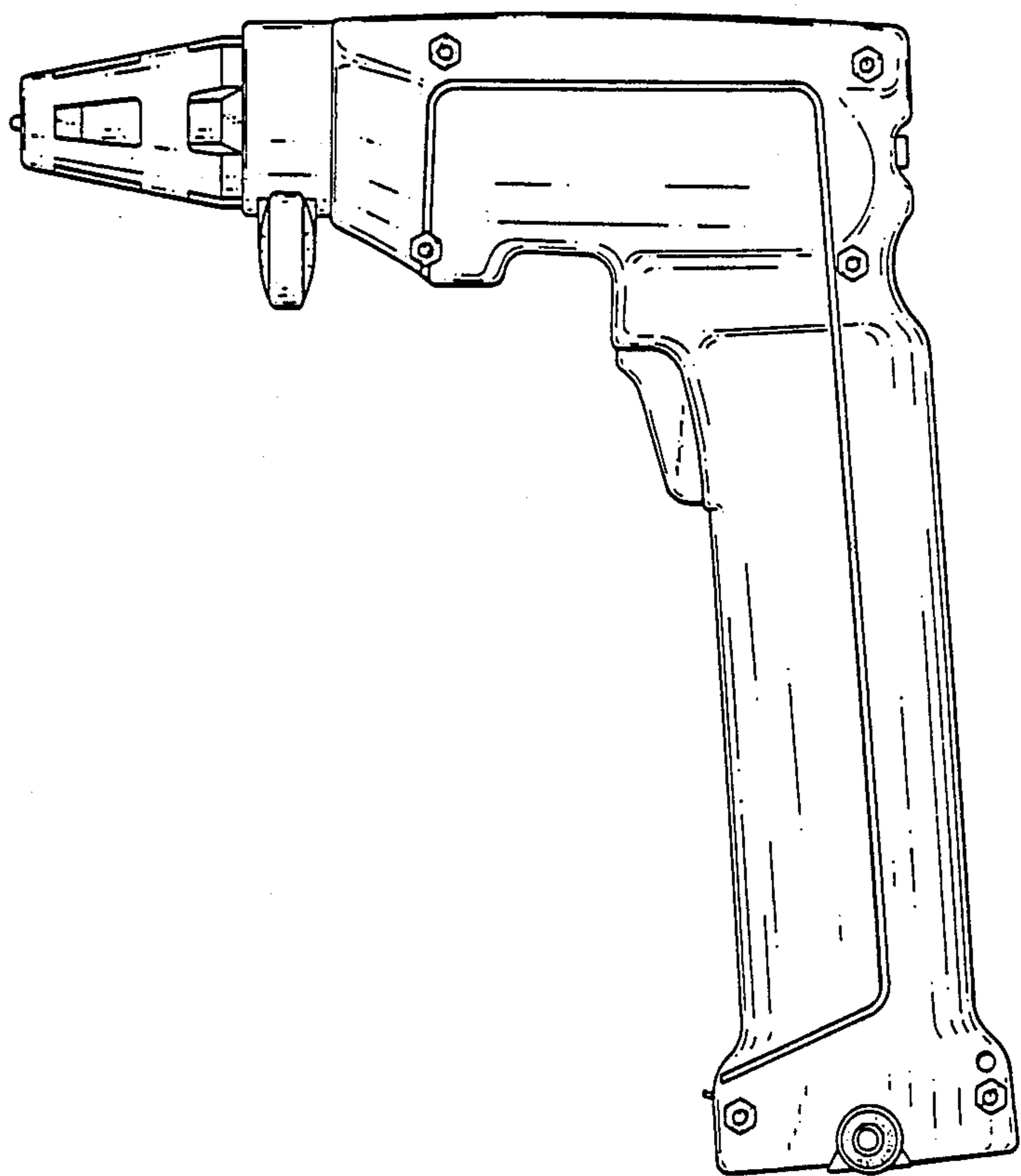


FIG. 6

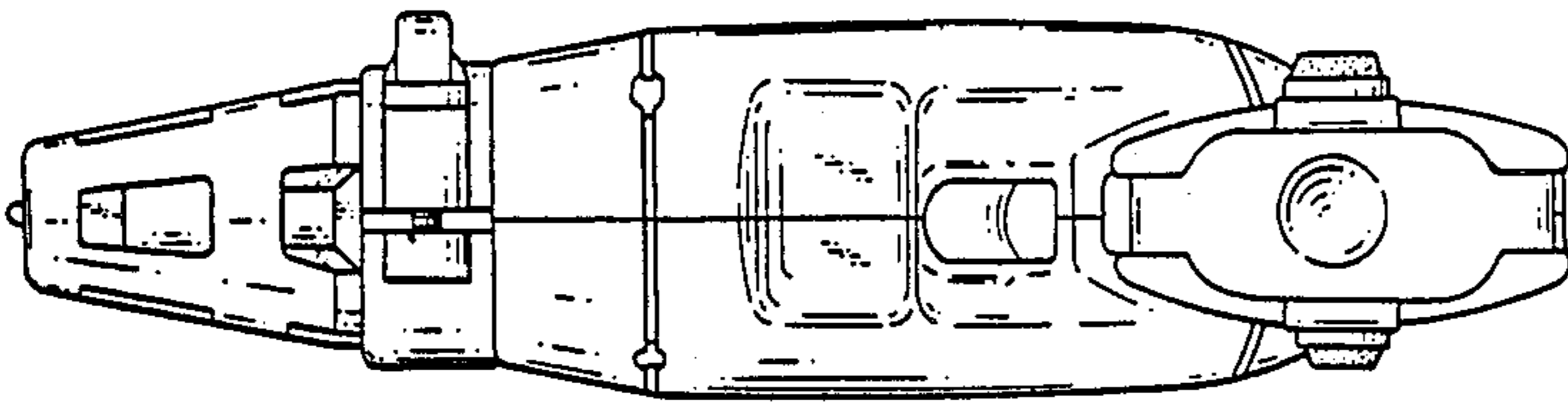


FIG. 7

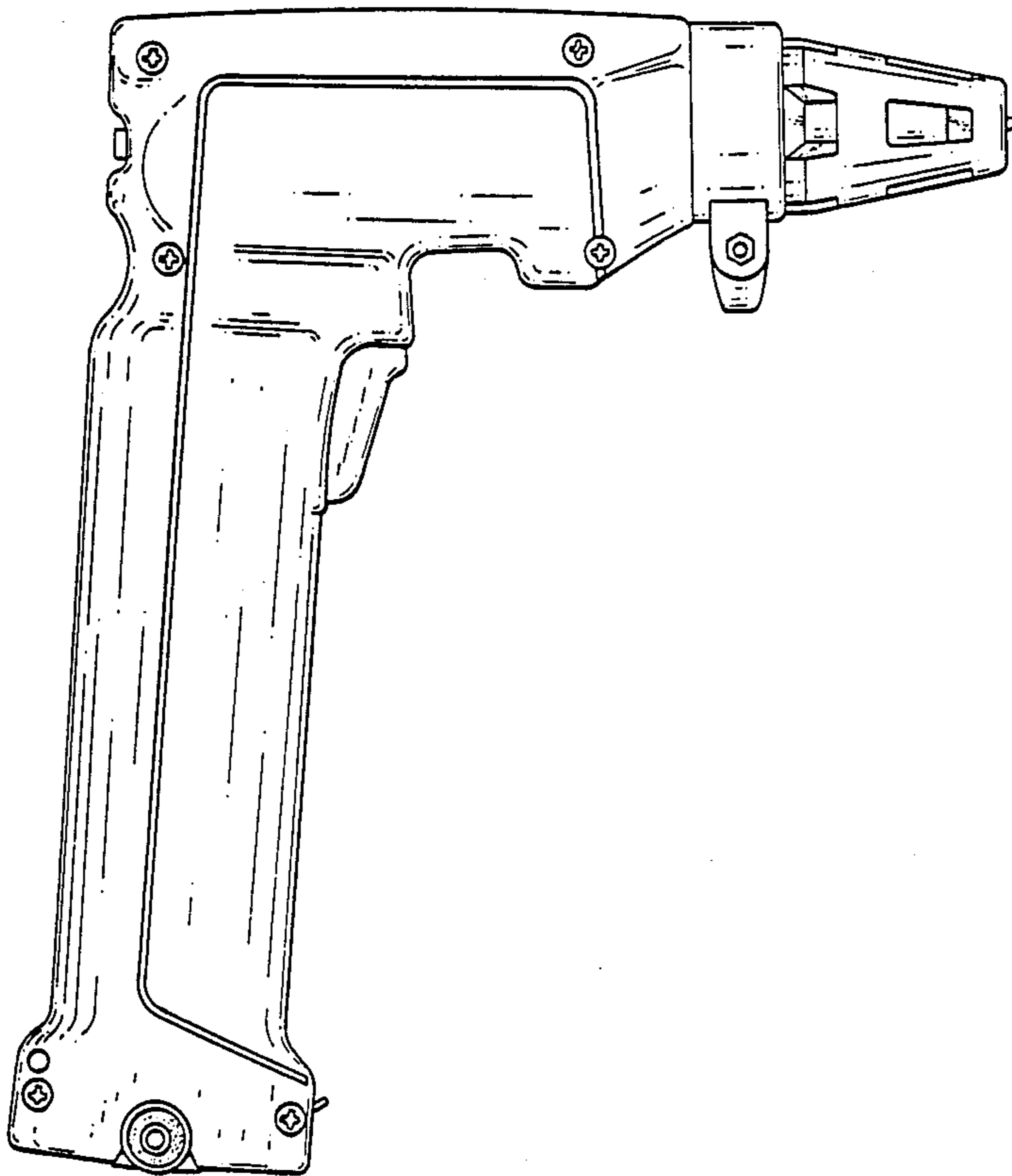


FIG. 8

