

[54] **POWER PADSAW**
[75] **Inventor: Lawrence T. A. Cunningham,**
Cleveland, England
[73] **Assignee: Black & Decker Inc.,** Newark, Del.
[**] **Term: 14 Years**
[21] **Appl. No.: 836,464**
[22] **Filed: Feb. 24, 1986**
[30] **Foreign Application Priority Data**
Sep. 19, 1985 [GB] United Kingdom 1 029 307
Jan. 22, 1986 [GB] United Kingdom 1 031 748
[52] **U.S. Cl. D8/64; D8/61**
[58] **Field of Search D8/61, 62, 64-70,**
D8/98; 81/57.11, 57.13, 57.14, 467; 30/273,
274

[56] **References Cited**
U.S. PATENT DOCUMENTS
D. 262,572 1/1982 Rogers D8/64

D. 266,222 9/1982 Buscher D8/61
D. 282,142 1/1986 Siravo D8/66
3,533,161 10/1970 Magnin 30/273
3,668,780 6/1972 Cowdrey 30/273

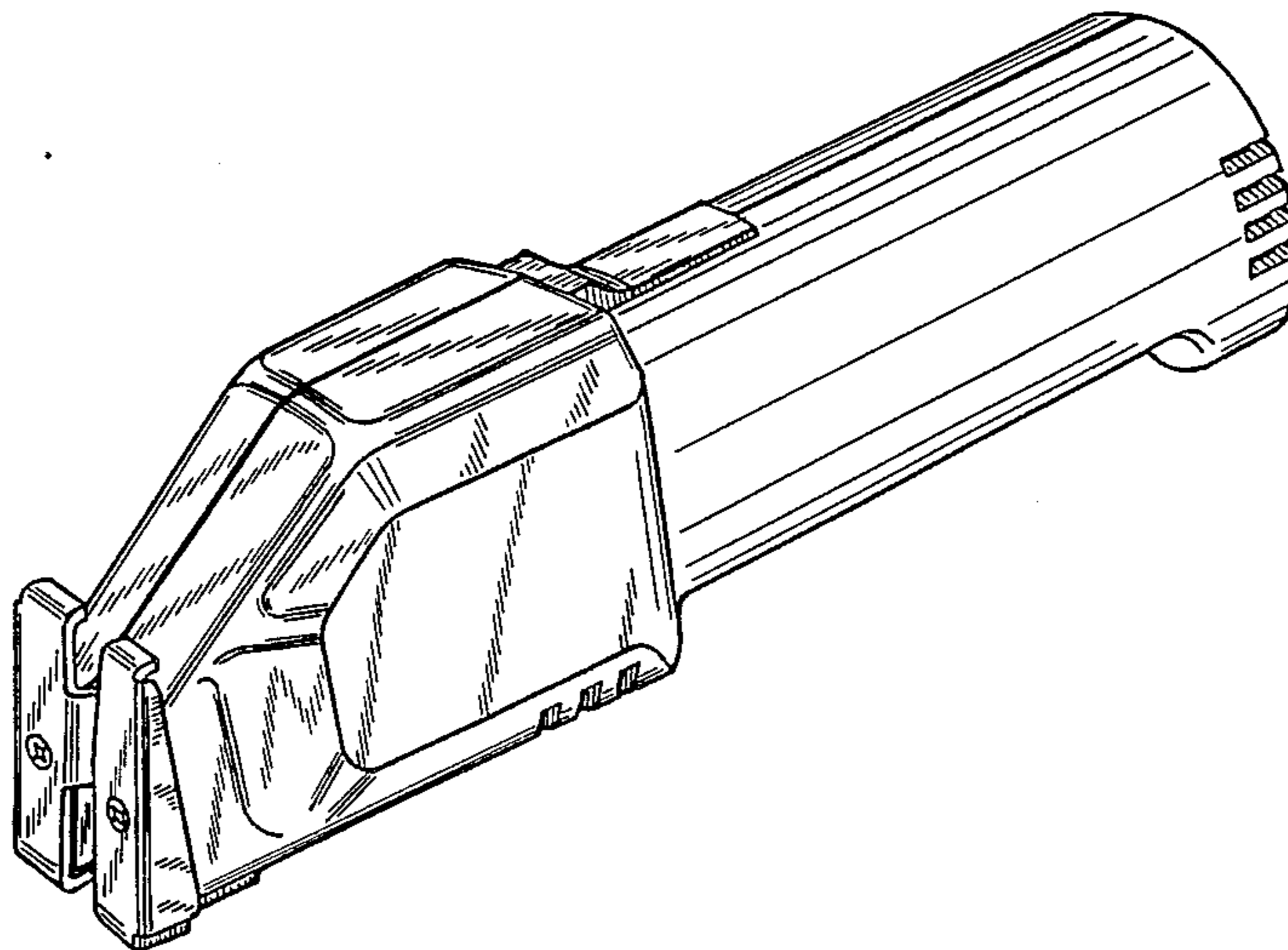
Primary Examiner—Bruce W. Dunkins
Assistant Examiner—Clare E. Heflin
Attorney, Agent, or Firm—Edward D. Murphy; Harold
Weinstein; Edward D. C. Bartlett

[57] **CLAIM**

The ornamental design for a power padsaw, as shown.

DESCRIPTION

FIG. 1 is a front, top and one side perspective view of the power padsaw showing my new design;
FIG. 2 is a rear, bottom and opposite side perspective view thereof;
FIG. 3 is a side elevational view thereof;
FIG. 4 is a top plan view thereof.
FIG. 5 is a bottom plan view thereof;
FIG. 6 is a front elevational view thereof; and
FIG. 7 is a rear elevational view thereof.



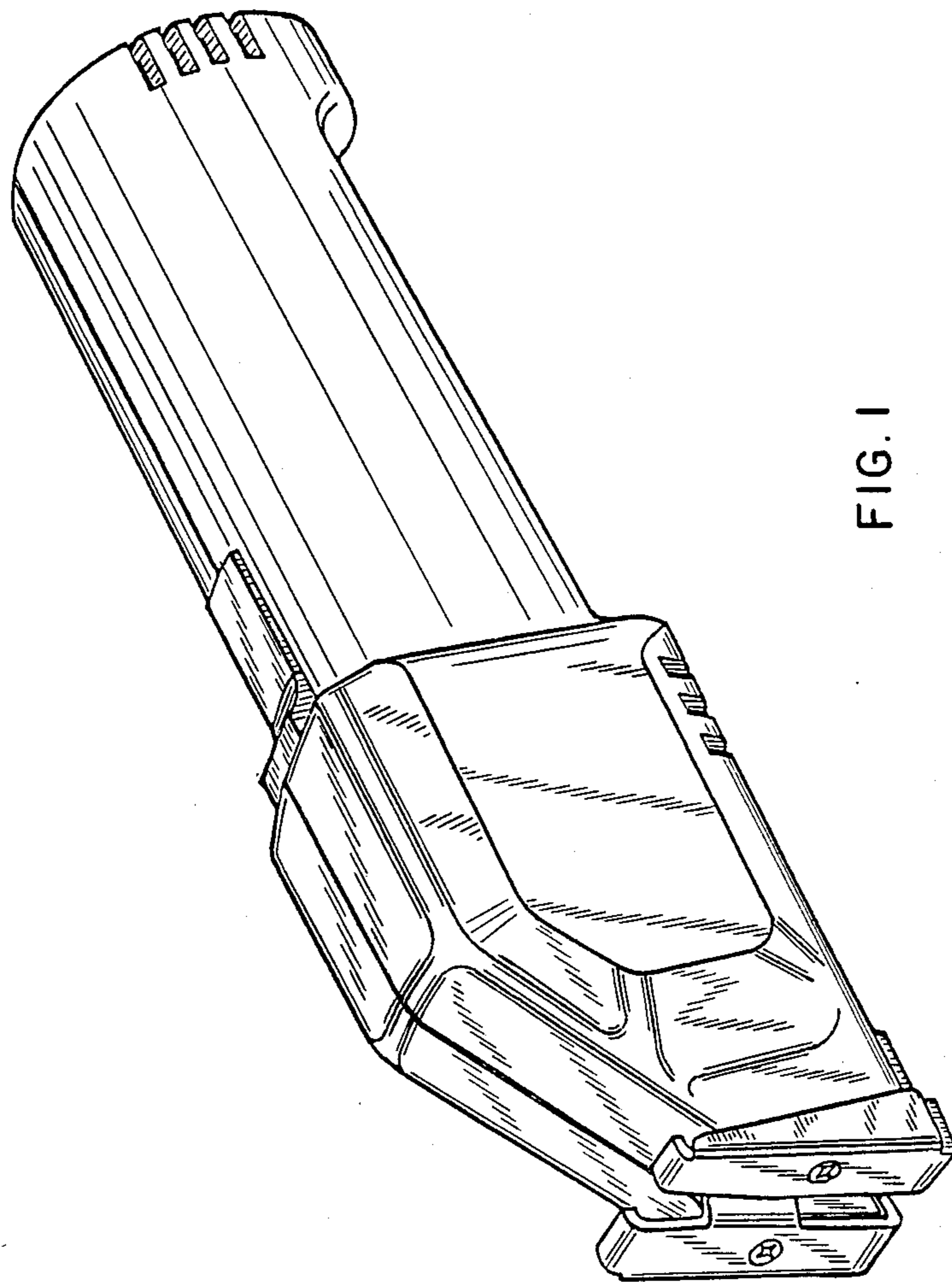


FIG. 1

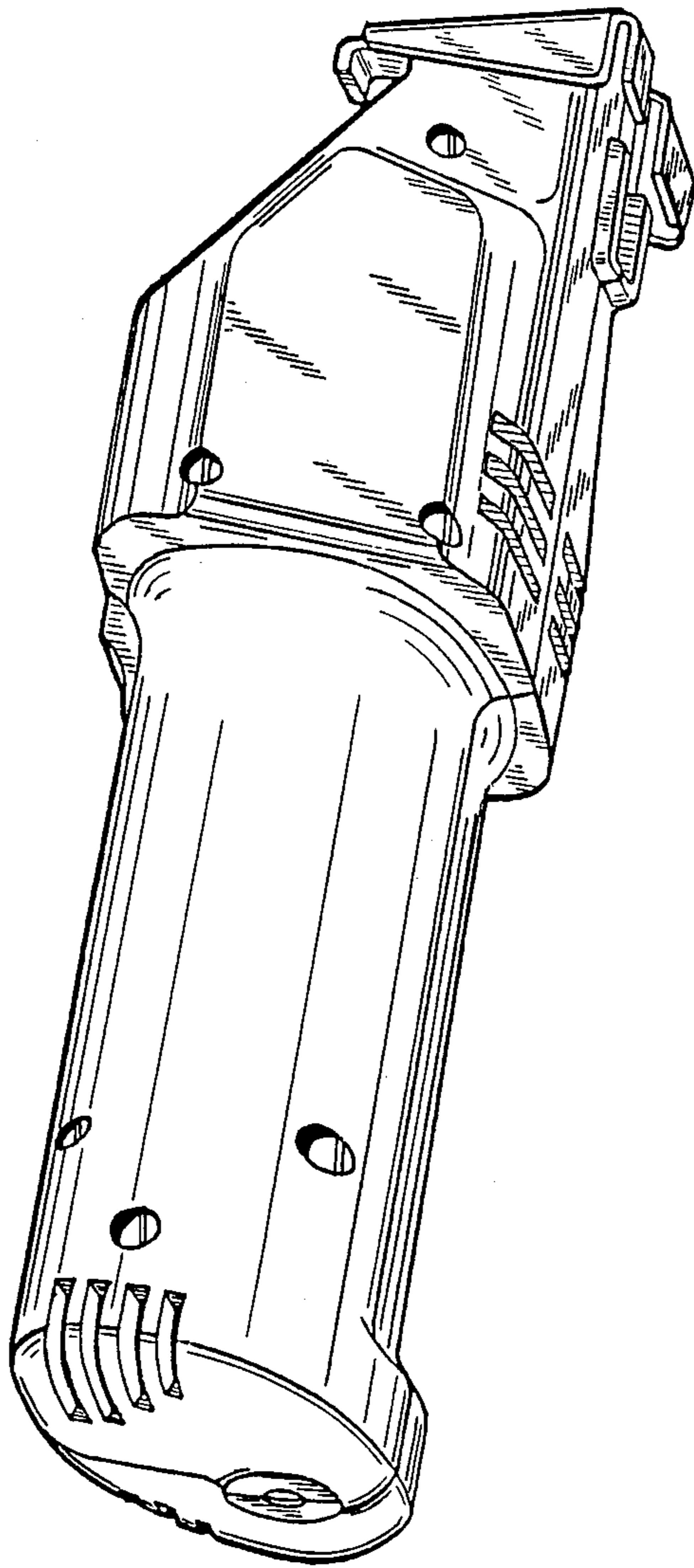


FIG. 2

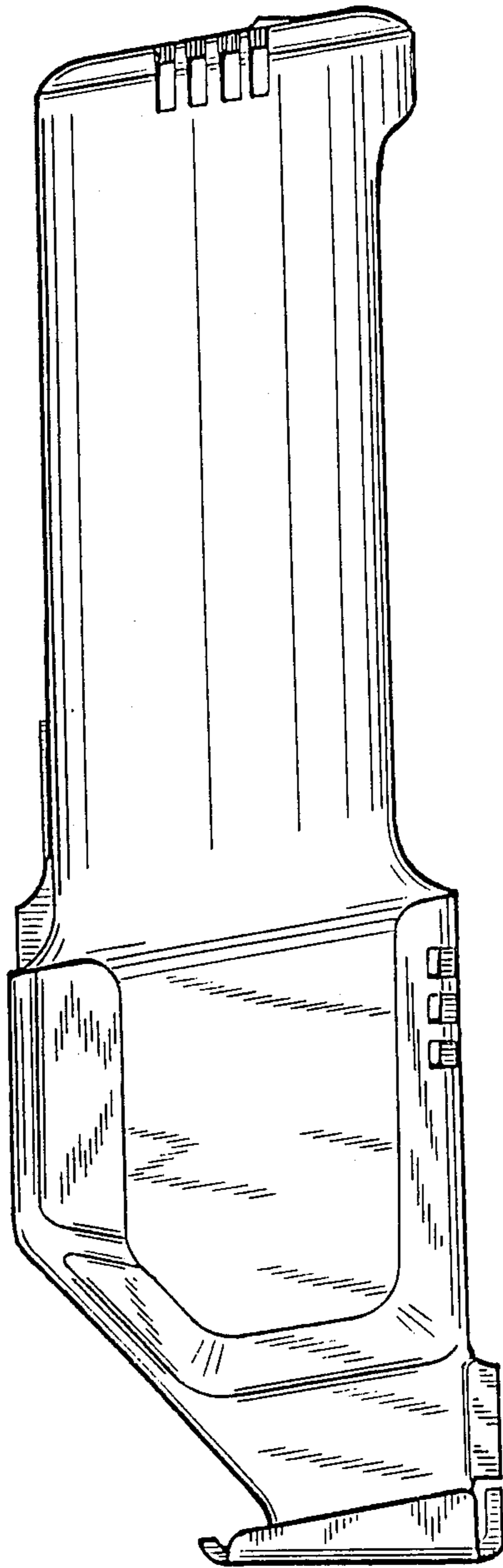


FIG. 3

FIG. 4

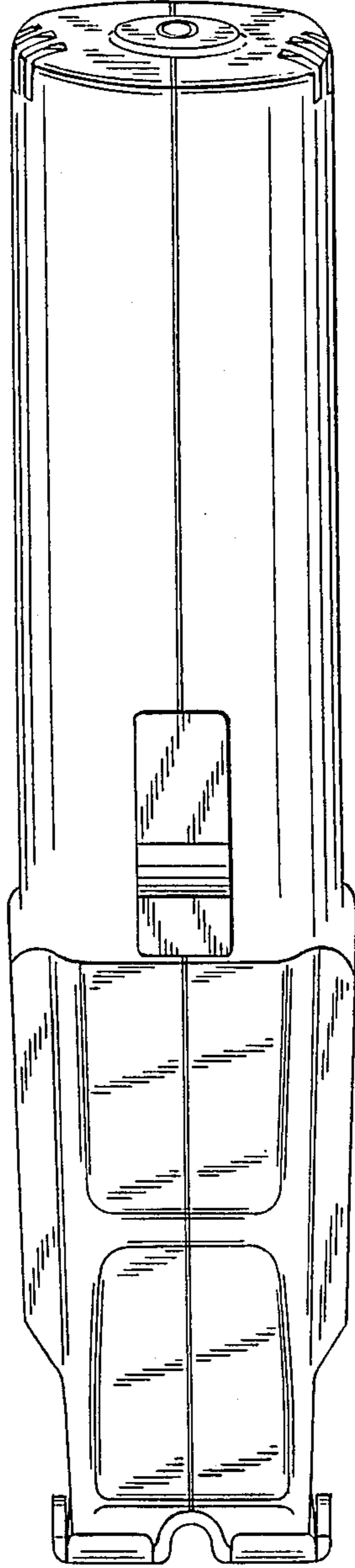
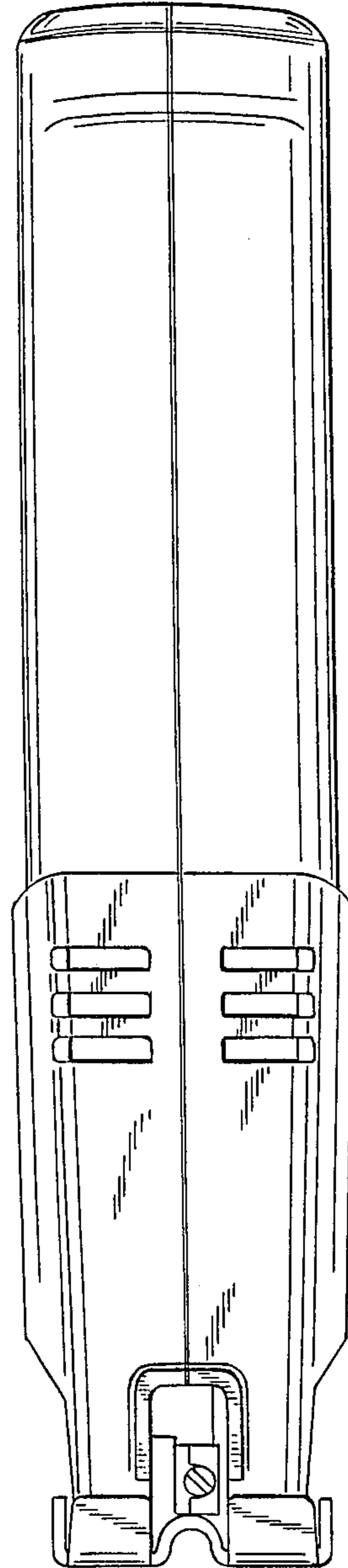


FIG. 5



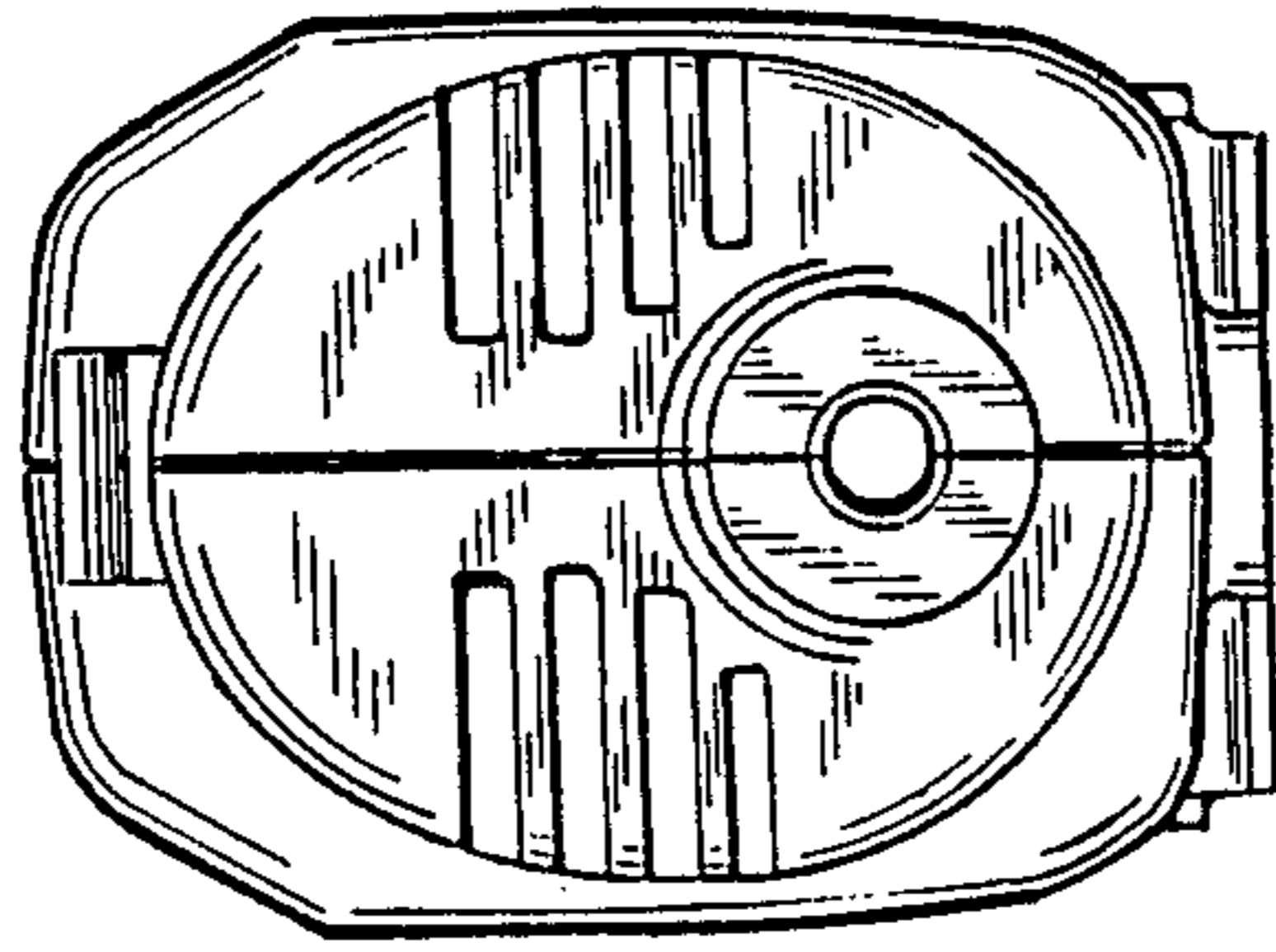


FIG. 7

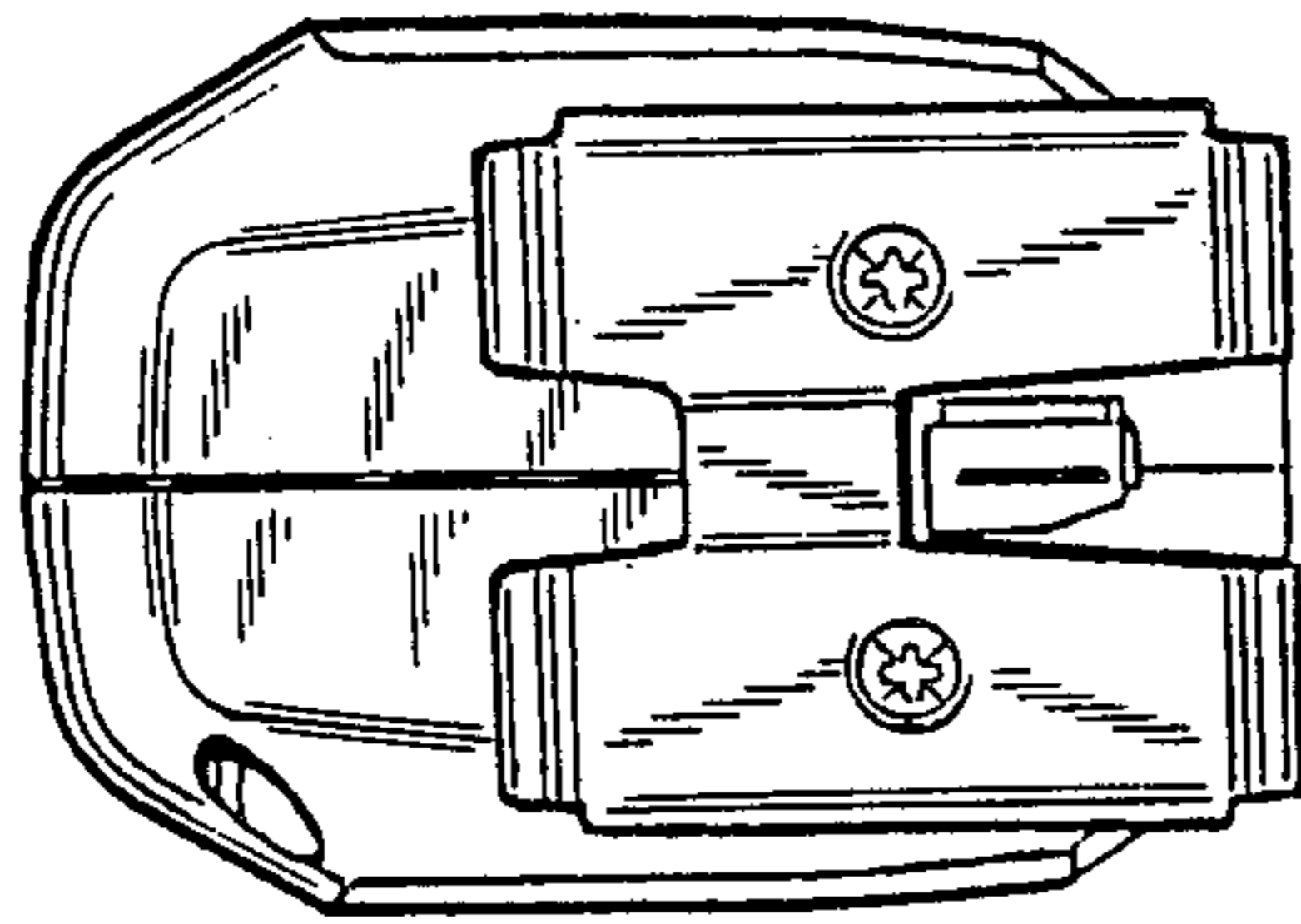


FIG. 6