

United States Patent [19]

Ebihara

[11] Patent Number: Des. 302,782

[45] Date of Patent: ** Aug. 15, 1989

[54] STAPLER

[75] Inventor: Yoshiyuki Ebihara, Tokyo, Japan

[73] Assignee: Etona Company, Limited, Tokyo, Japan

[**] Term: 14 Years

[21] Appl. No.: 909,086

[22] Filed: Sep. 18, 1986

[30] Foreign Application Priority Data

May 14, 1986 [JP] Japan 61-18150

[52] U.S. Cl. D8/50

[58] Field of Search D8/49, 50; 227/127, 227/128, 132, 126

[56] References Cited

PUBLICATIONS

Acco brochure, #SC-50-469, Stapler, front cover.

Primary Examiner—Bernard Ansher
Assistant Examiner—Terry A. Pfeffer
Attorney, Agent, or Firm—Abelman Frayne Rezac & Schwab

[57] CLAIM

The ornamental design for a stapler, as shown and described.

DESCRIPTION

FIG. 1 is a top plan view of a stapler showing my new design;
FIG. 2 is a right side elevational view thereof, the opposite side being a mirror image;
FIG. 3 is a bottom plan view thereof;
FIG. 4 is a front elevational view thereof;
FIG. 5 is a rear elevational view thereof;
FIG. 6 is a cross-sectional view taken along line 6—6 of FIG. 1, and,
FIG. 7 is a perspective view thereof the cartridge of staples shown in broken lines for illustrative purposes only.

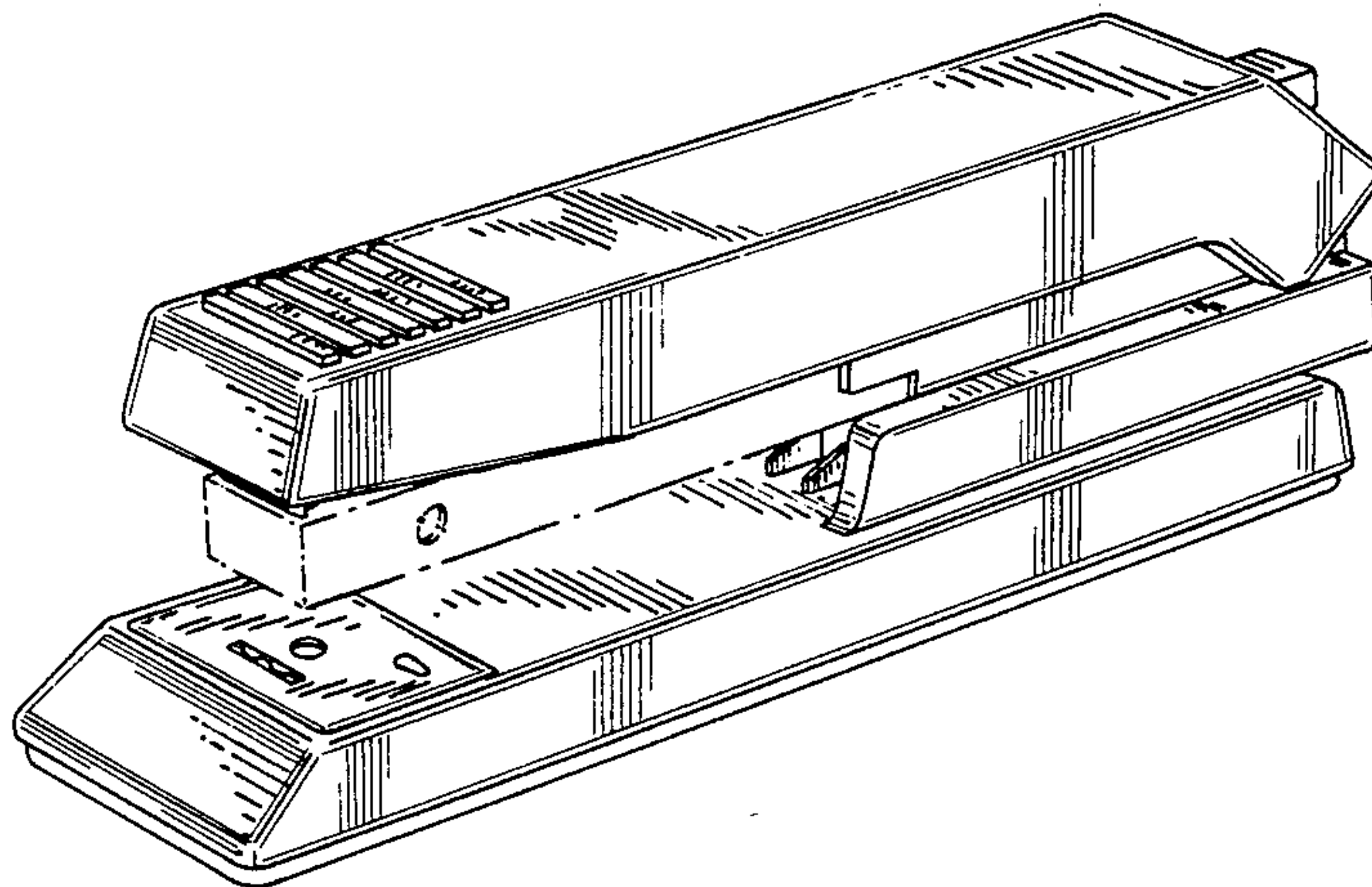


FIG. 1

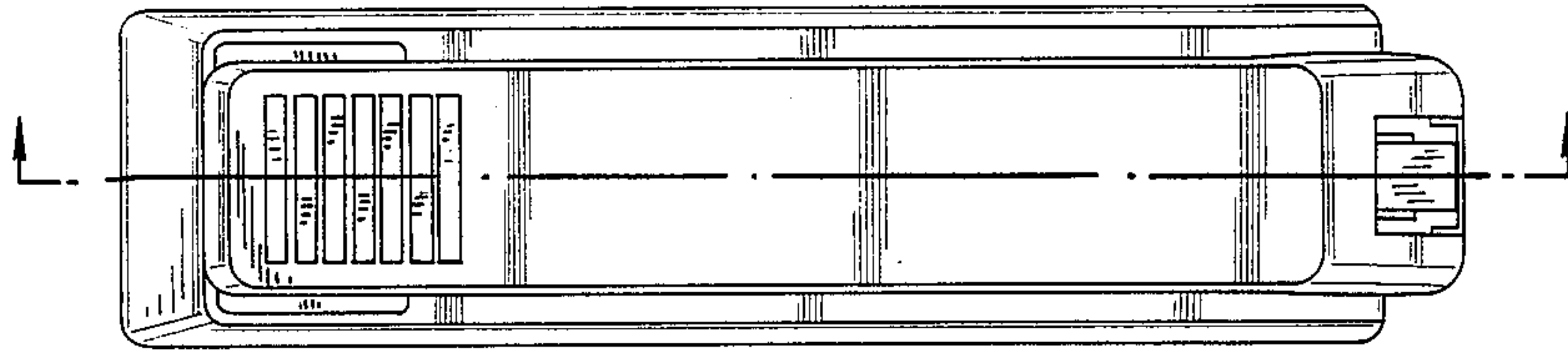


FIG. 2

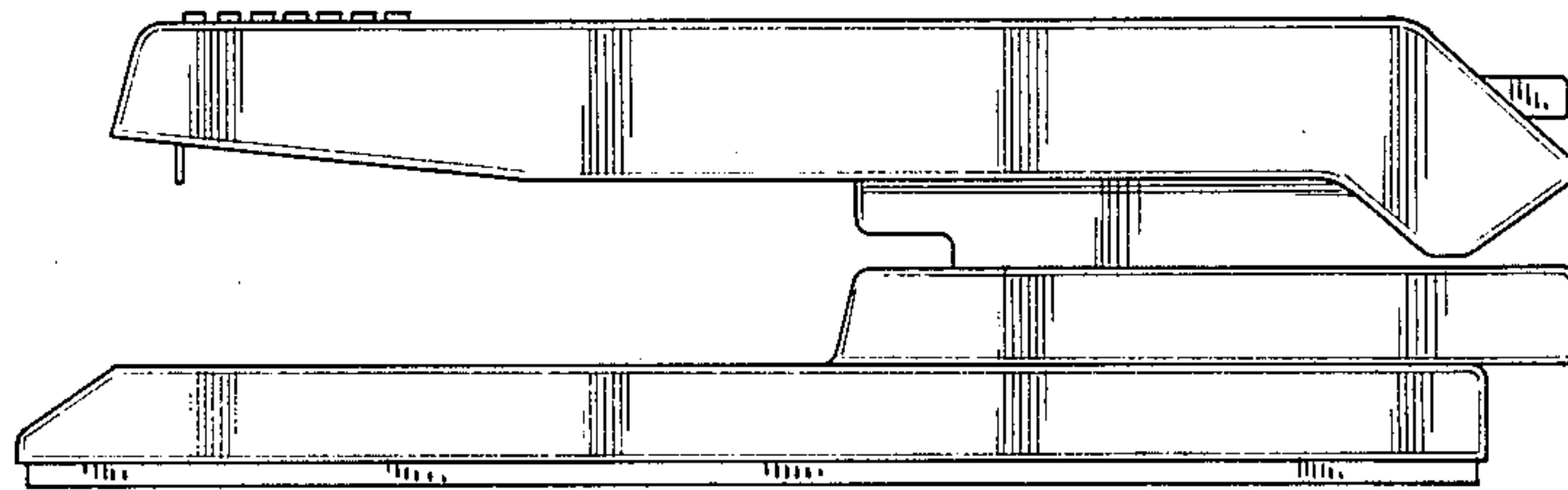


FIG. 3

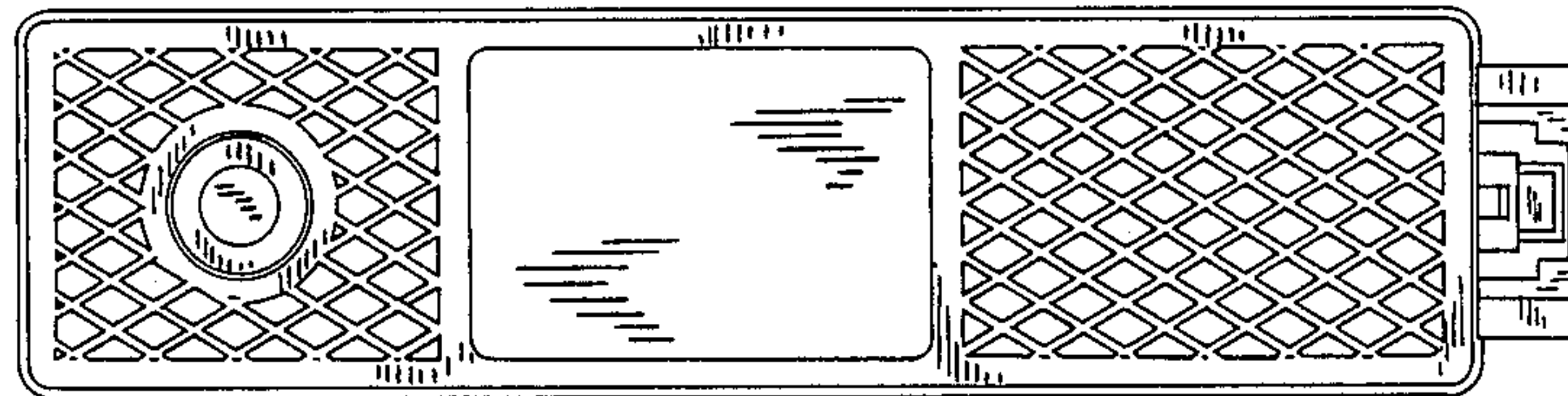


FIG. 4

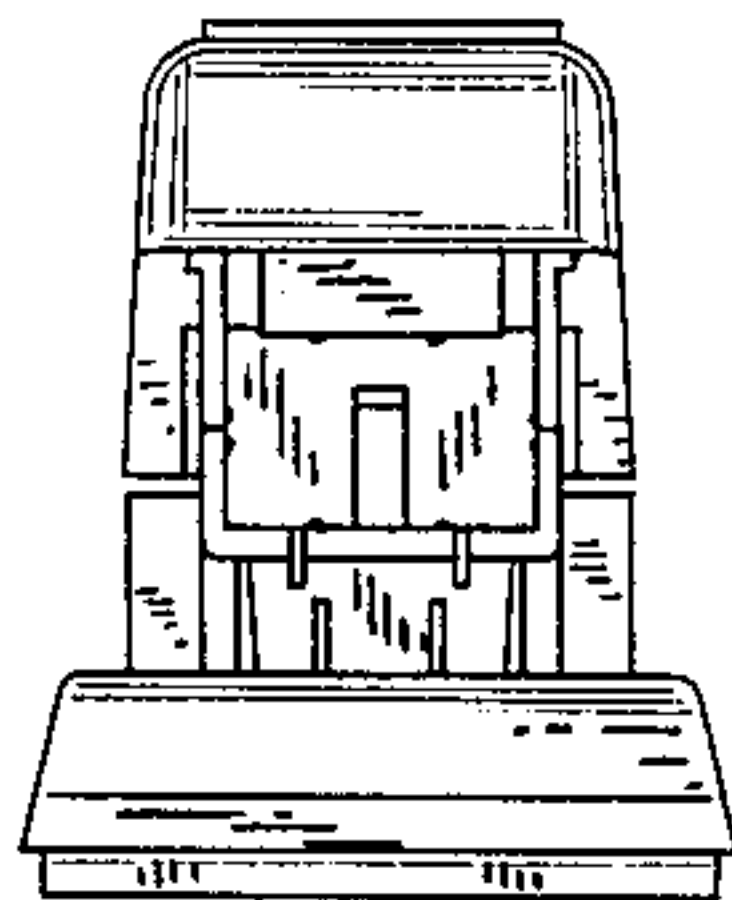
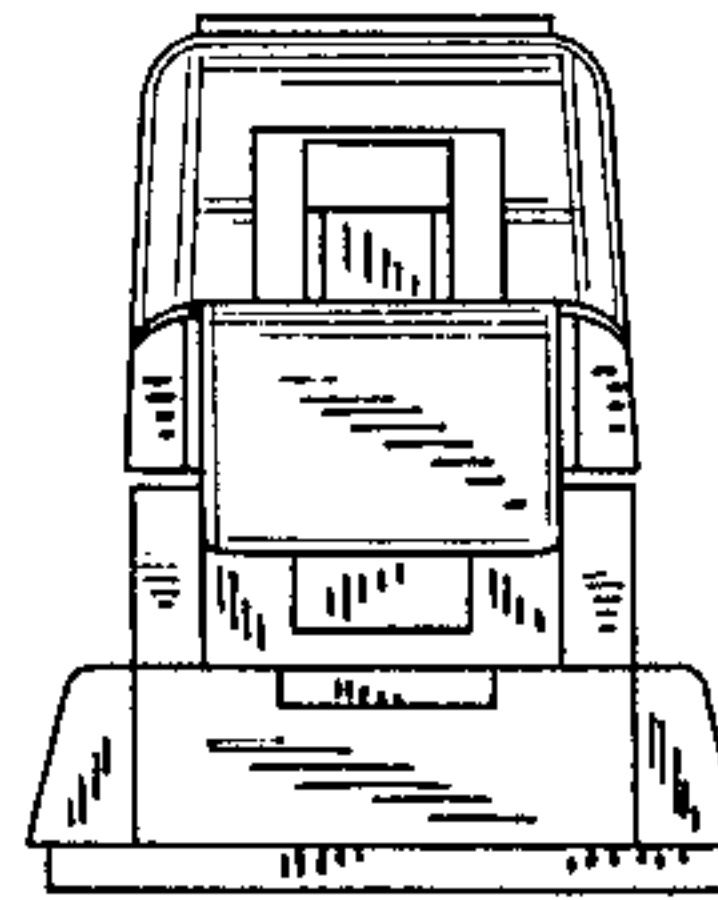


FIG. 5



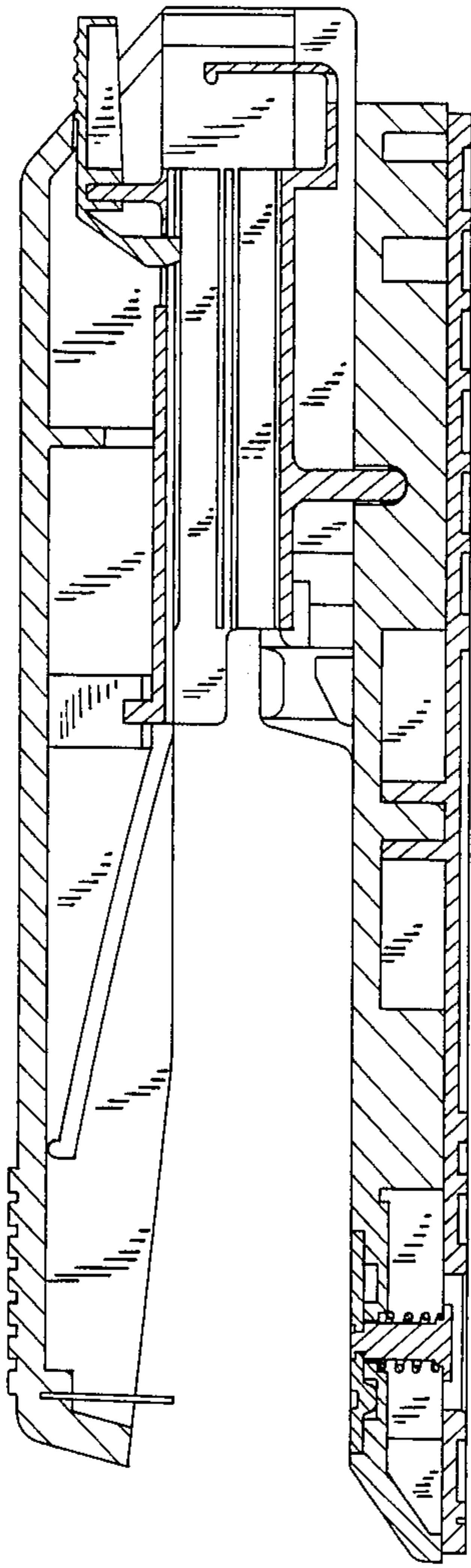


FIG. 6

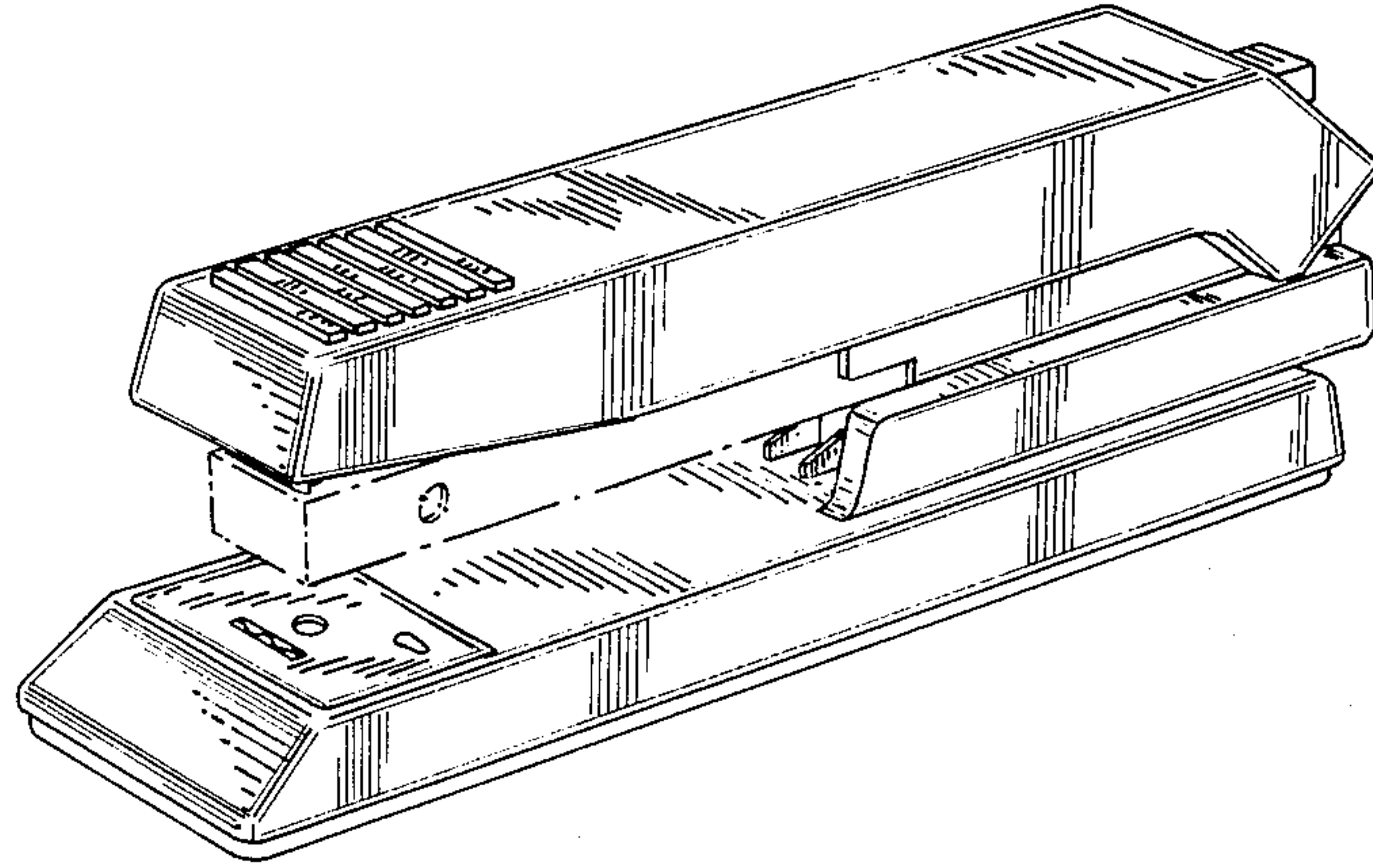


FIG. 7