

[54] STAPLER

[75] Inventor: Yoshiyuki Ebihara, Tokyo, Japan

[73] Assignee: Etona Company, Limited, Tokyo, Japan

[**] Term: 14 Years

[21] Appl. No.: 859,723

[22] Filed: May 1, 1986

[30] Foreign Application Priority Data

Nov. 28, 1985 [JP]	Japan	60-49736
[52] U.S. Cl.		D8/50
[58] Field of Search	D8/49, 50;	227/126-128, 132

[56] References Cited

U.S. PATENT DOCUMENTS

D. 186,201 9/1959 Rosengren D8/50

Primary Examiner—Bernard Ansher
Assistant Examiner—Terry A. Pfeffer
Attorney, Agent, or Firm—Abelman Frayne Rezac & Schwab

[57] CLAIM

The ornamental design for a stapler, as shown and described.

DESCRIPTION

FIG. 1 is a top plan view of a stapler showing my new design;
 FIG. 2 is a front elevational view thereof, the opposite side being a mirror image;
 FIG. 3 is a left side elevational view thereof;
 FIG. 4 is a right side elevational view thereof;
 FIG. 5 is a bottom plan view thereof;
 FIG. 6 is a perspective view therefor; and
 FIG. 7 is a perspective view thereof the cartridge of staples shown in broken lines for illustrative purposes only.

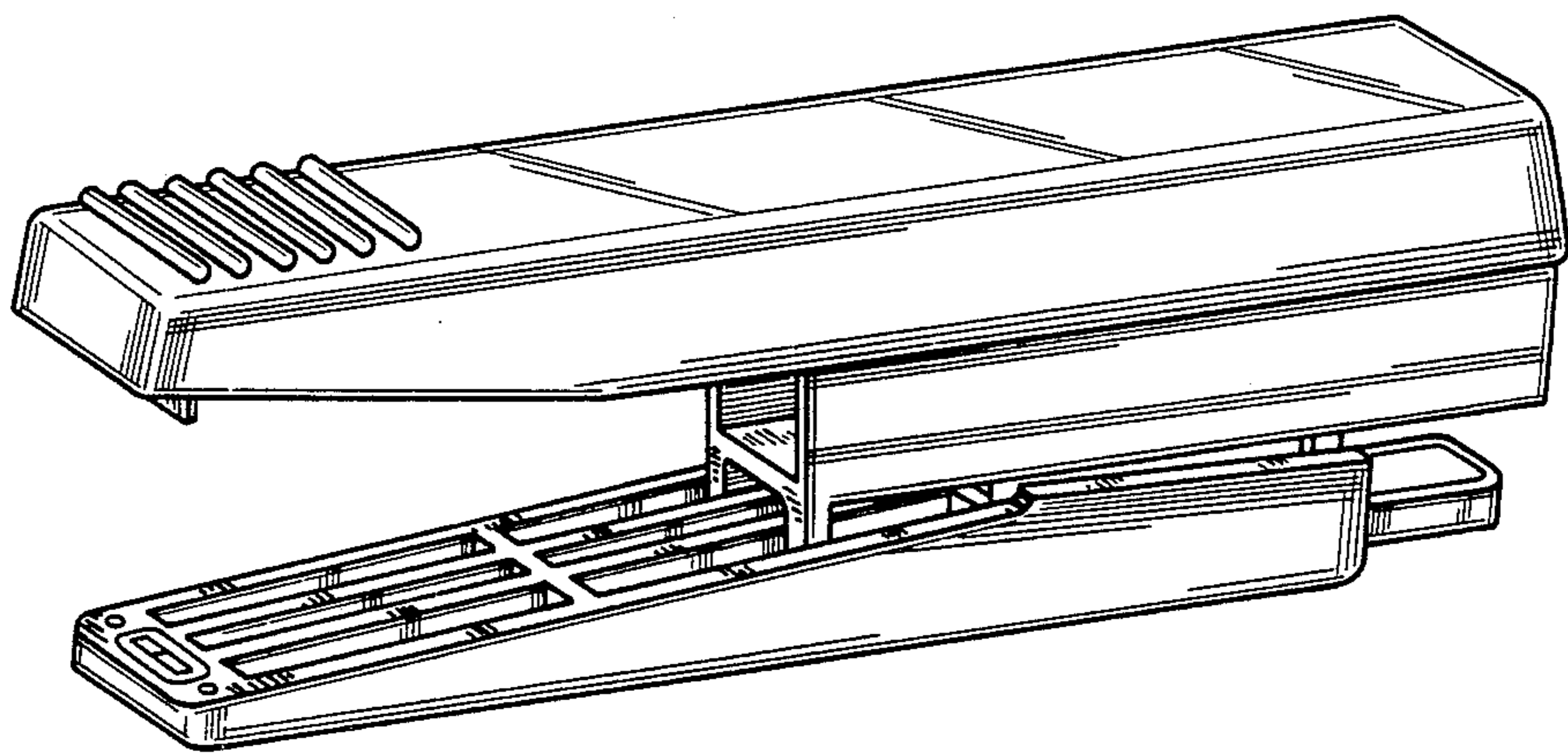


FIG. 1

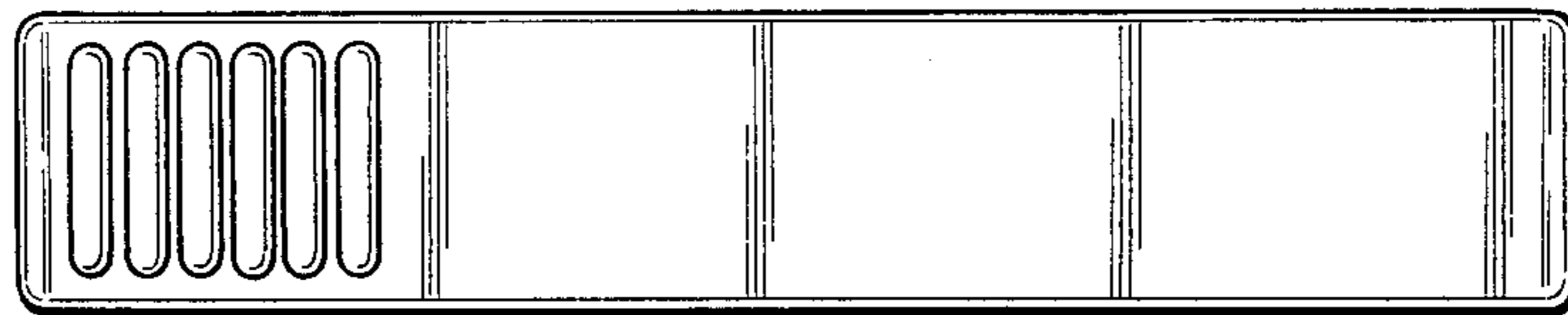


FIG. 2

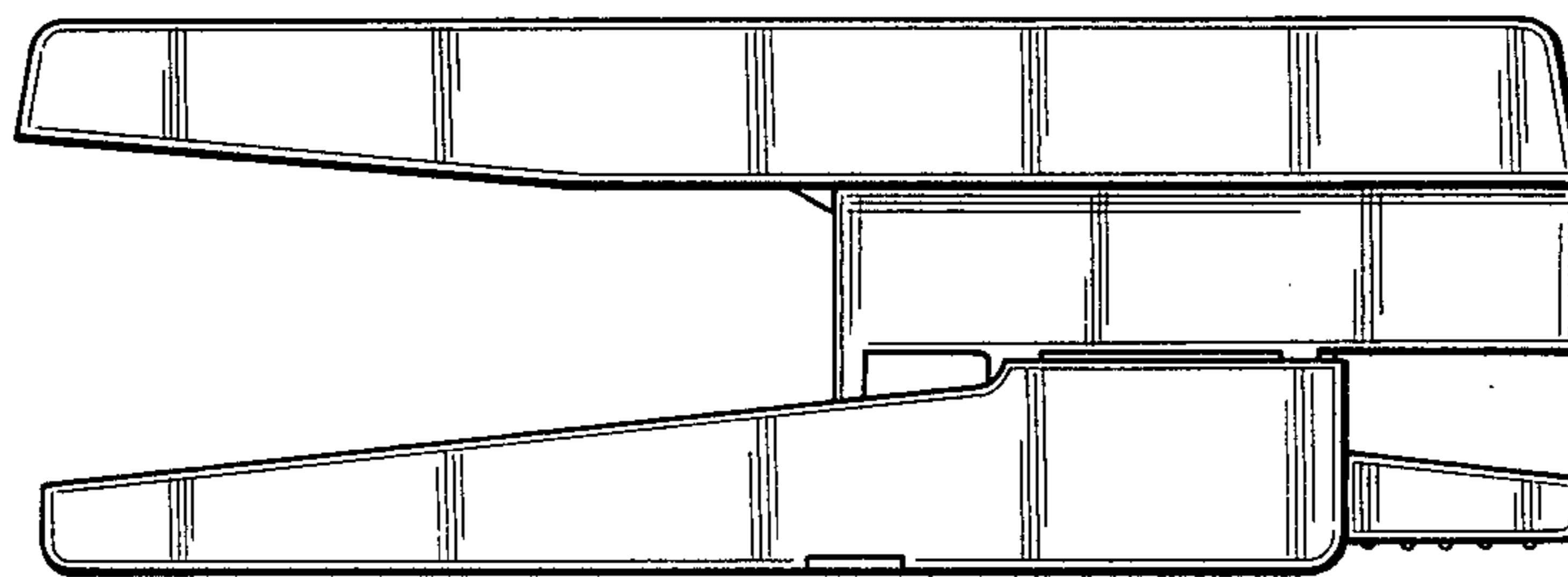


FIG. 3

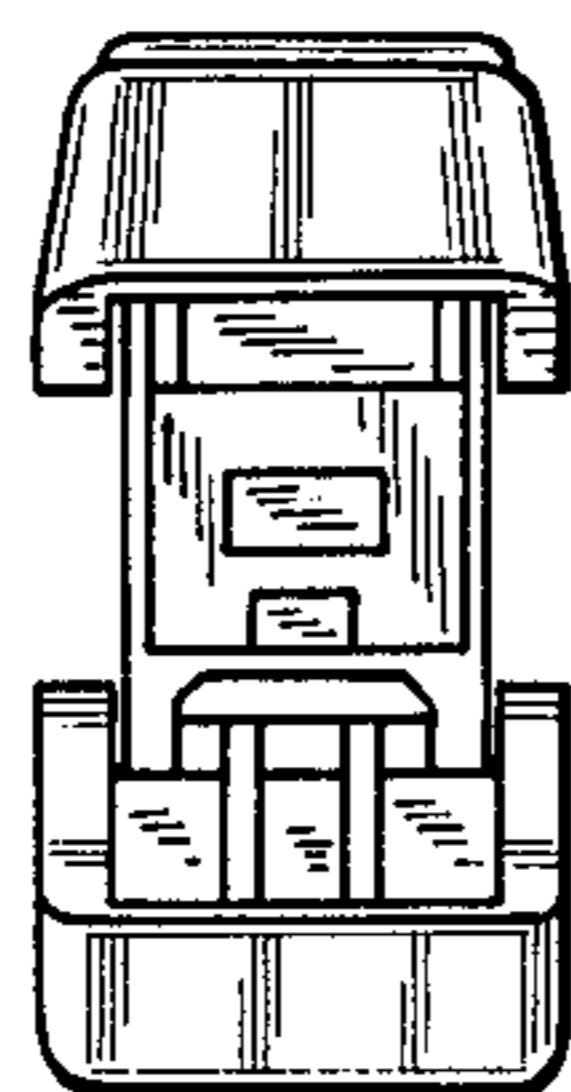


FIG. 4

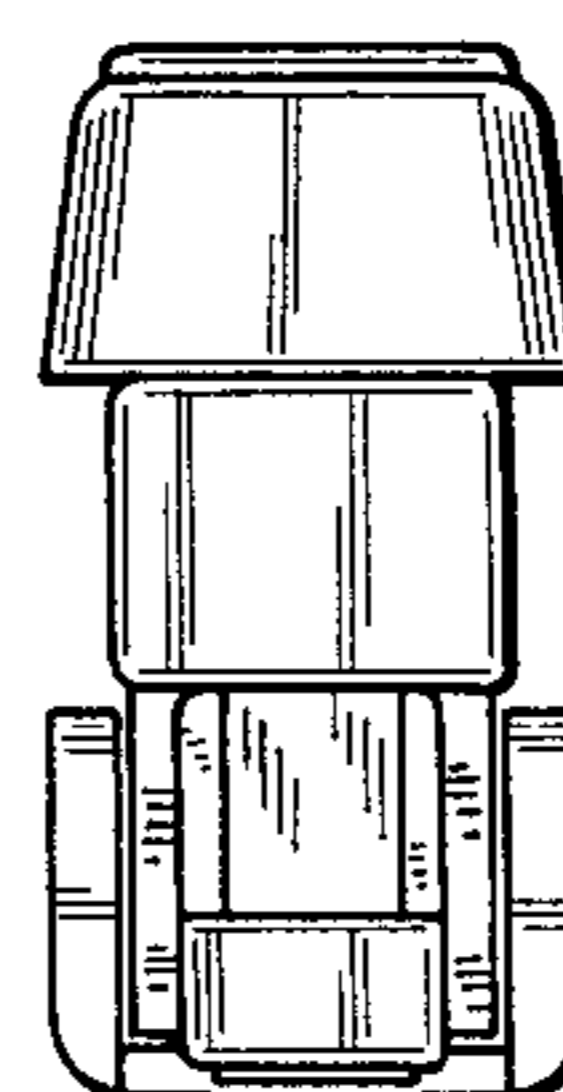


FIG. 5

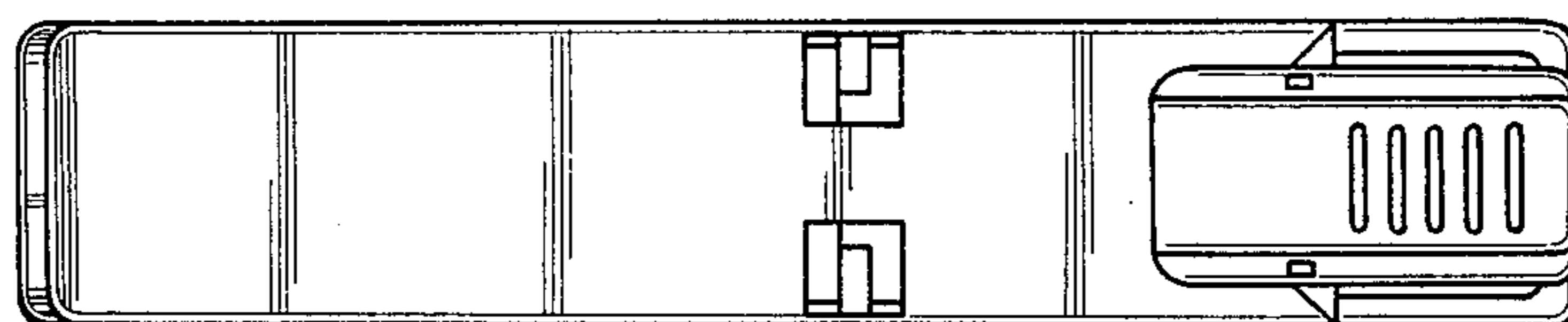


FIG. 6

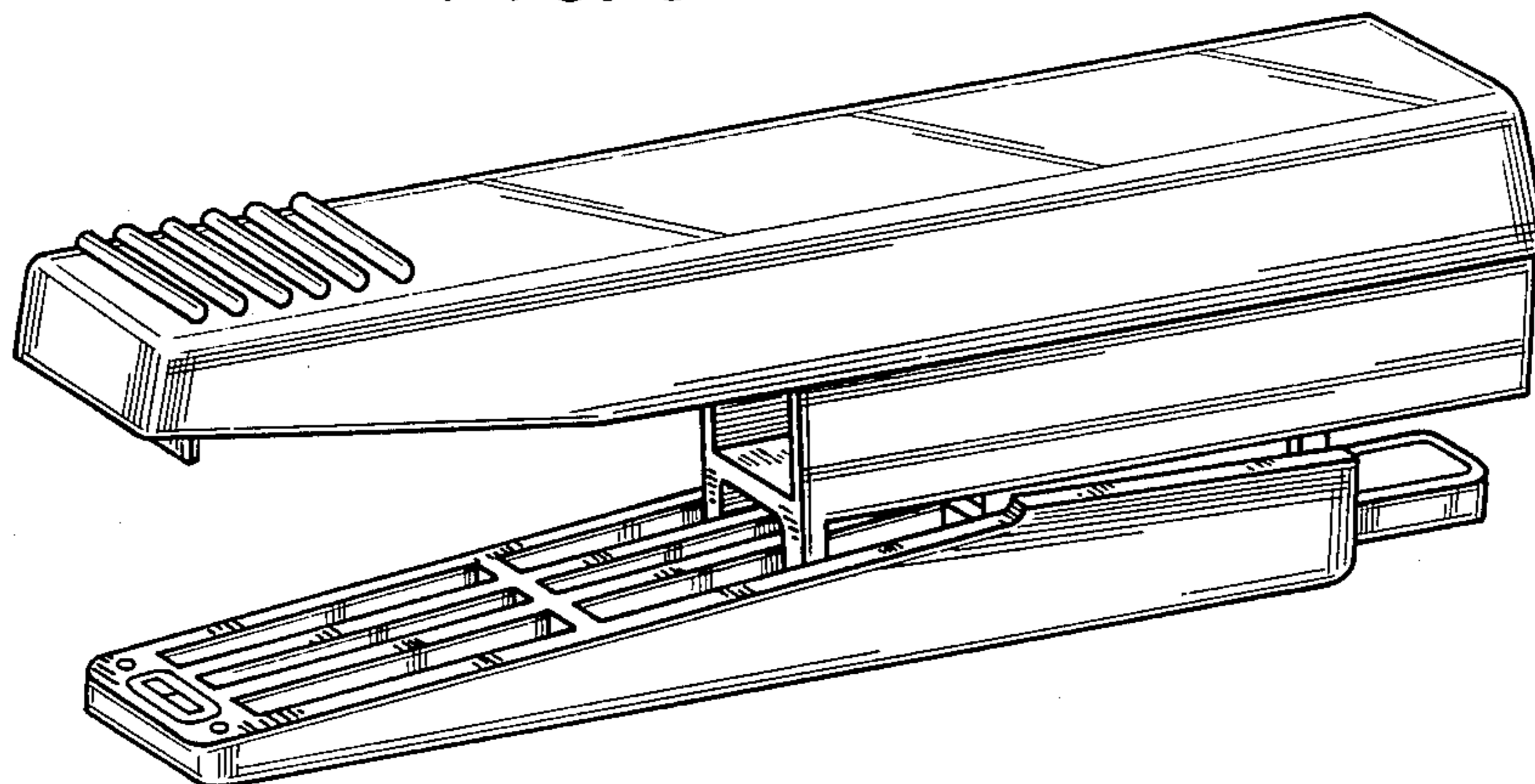


FIG. 7

