

[54] COMBINED WOOD CHISEL AND EDGE COVER THEREFOR

[75] Inventors: Hans Himbert, Bromma; Erik C. Jansson, Enköping, both of Sweden

[73] Assignee: AB Bahco Verktyg, Enköping, Sweden

[**] Term: 14 Years

[21] Appl. No.: 746,375

[22] Filed: Jun. 19, 1985

[30] Foreign Application Priority Data

Dec. 21, 1984 [SE] Sweden 84-3420
[52] U.S. Cl. D8/47; D8/107
[58] Field of Search D8/98, 14, 47, 107; 144/88; 30/167, 167.1, 167.2

[56] References Cited

U.S. PATENT DOCUMENTS

- D. 45,527 3/1914 Graham D8/47
- D. 123,490 11/1940 Saffell D8/107
- D. 182,850 5/1958 Reymann D8/47
- D. 236,579 9/1975 Morhack D8/107
- D. 237,037 10/1975 Brunosson D8/47
- 1,258,481 3/1918 Shobar 30/167
- 1,493,176 5/1924 Wood 30/167
- 2,593,949 4/1952 Williams D8/47 X
- 2,775,275 12/1956 Forbes 30/167
- 4,574,431 3/1986 Colling D8/98 X

OTHER PUBLICATIONS

Garrett-Wade Company 1984 Woodworking Tools Catalog, p. 100/carving tools/Hand Tool Cat. Boxes. The Fine Tool Shops, Inc. Spring 1988 catalog, p. 3, "Bahco Ergonomic Chisels/Hand Tool Cat. Boxes".

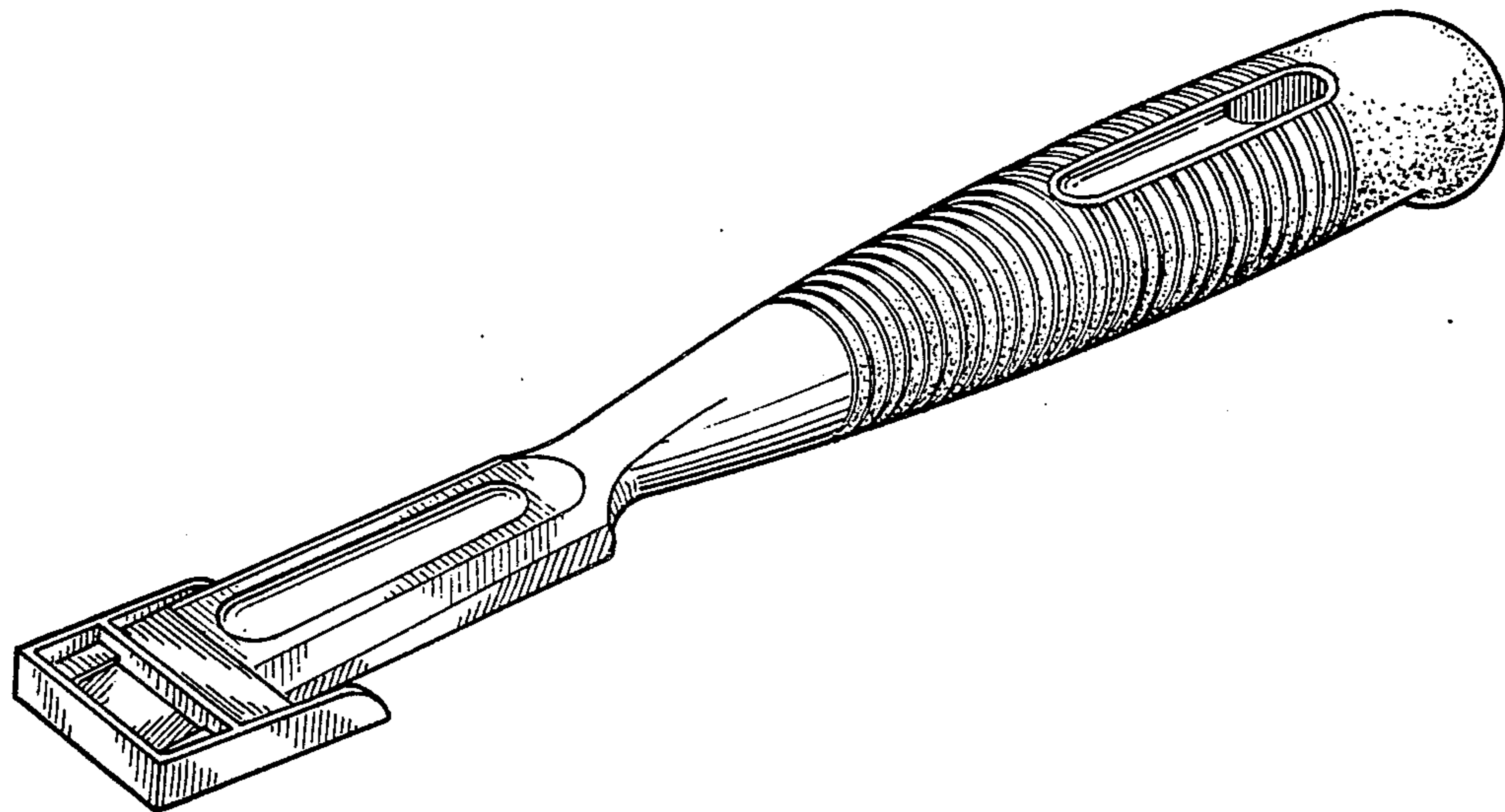
Primary Examiner—Bruce W. Dunkins
Assistant Examiner—Clare E. Heflin
Attorney, Agent, or Firm—Oblon, Spivak, McClelland, Maier & Neustadt

[57] CLAIM

The ornamental design for a combined wood chisel and edge cover therefor, as shown and described.

DESCRIPTION

FIG. 1 is a perspective view of a combined wood chisel and edge cover therefor showing my new design; FIG. 2 is a side elevational view thereof, the opposite side being a mirror image; FIG. 3 is a top, front and one side perspective view thereof, the edge cover shown removed for clarity of disclosure; FIG. 4 is a bottom, rear and opposite side perspective view thereof, the edge cover shown removed for clarity of disclosure; FIG. 5 is a top, front and one side perspective view of the edge cover portion thereof, the chisel being omitted for clarity of disclosure; FIG. 6 is a bottom, rear and opposite side perspective view of the edge cover portion thereof, the chisel being omitted for clarity of disclosure.



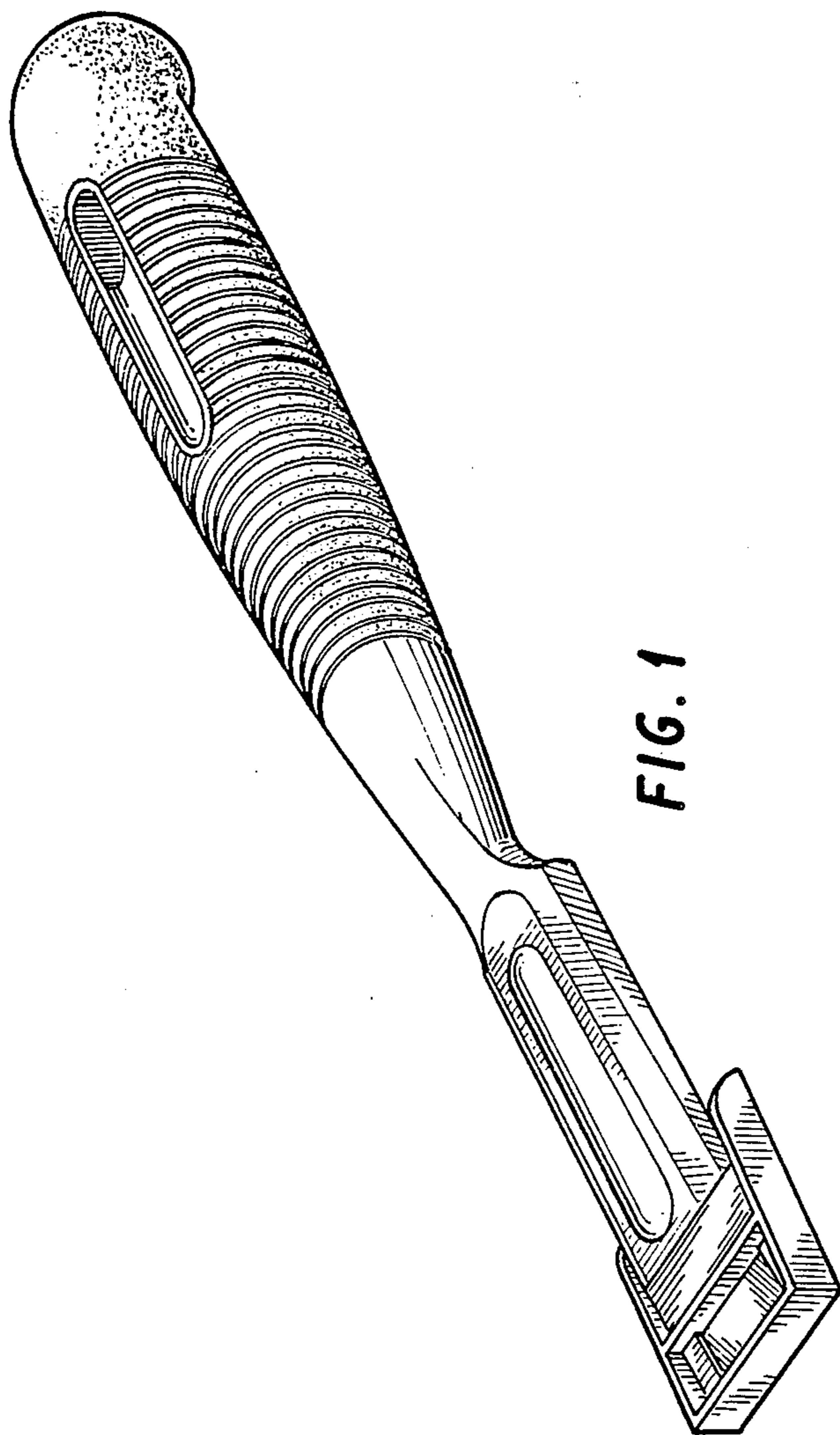


FIG. 1

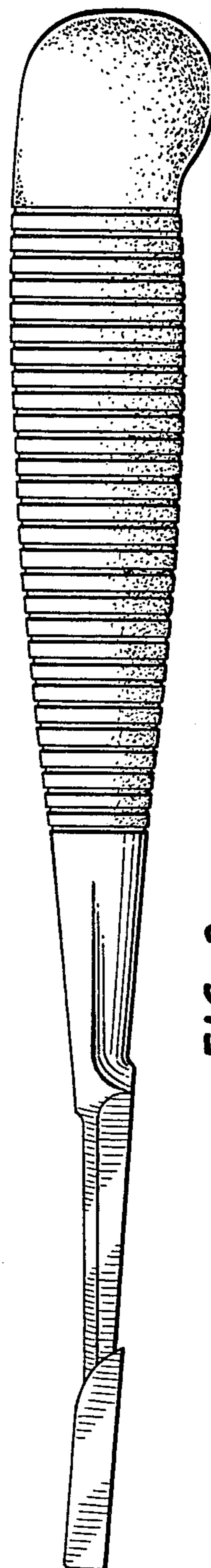


FIG. 2

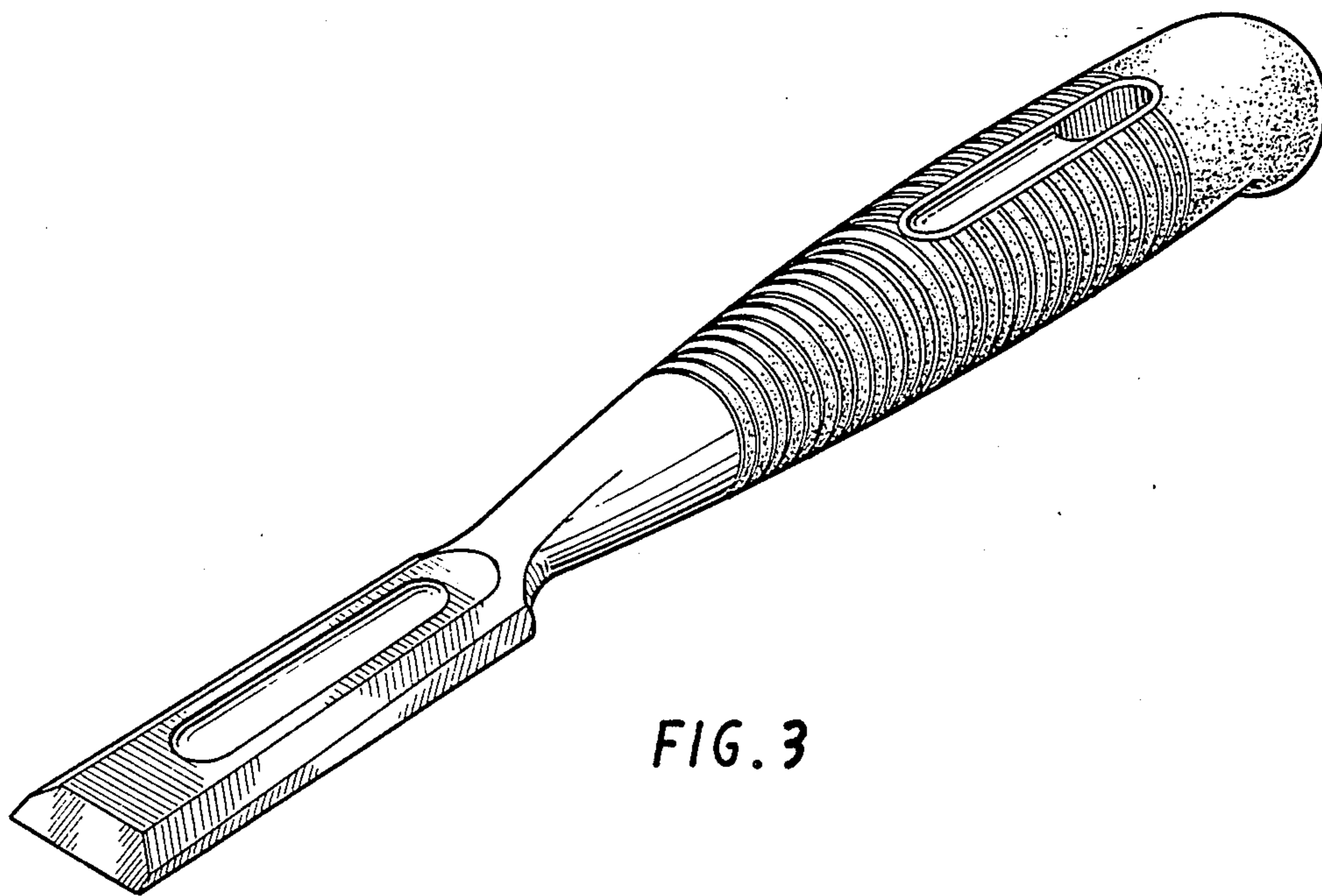


FIG. 3

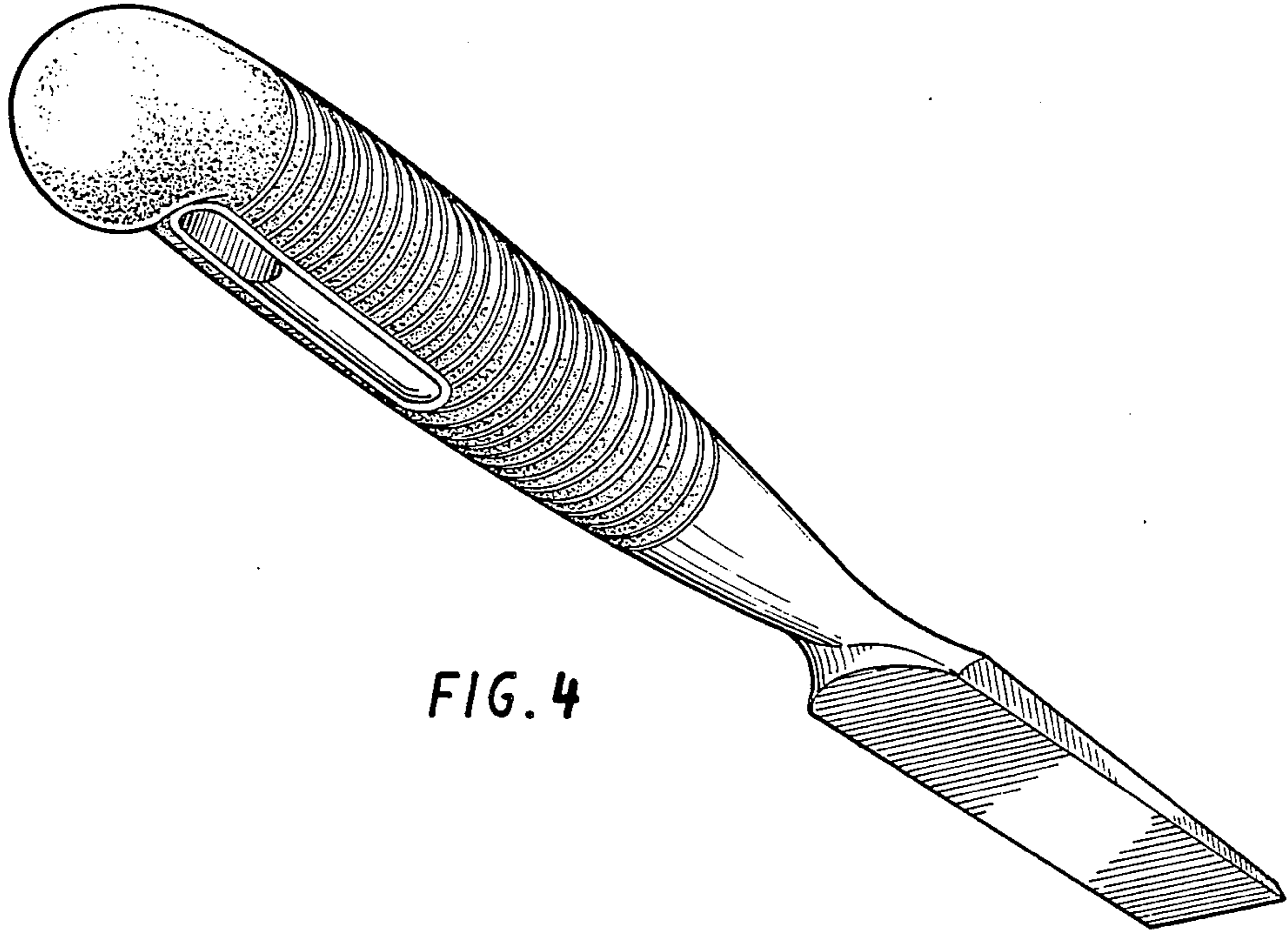


FIG. 4

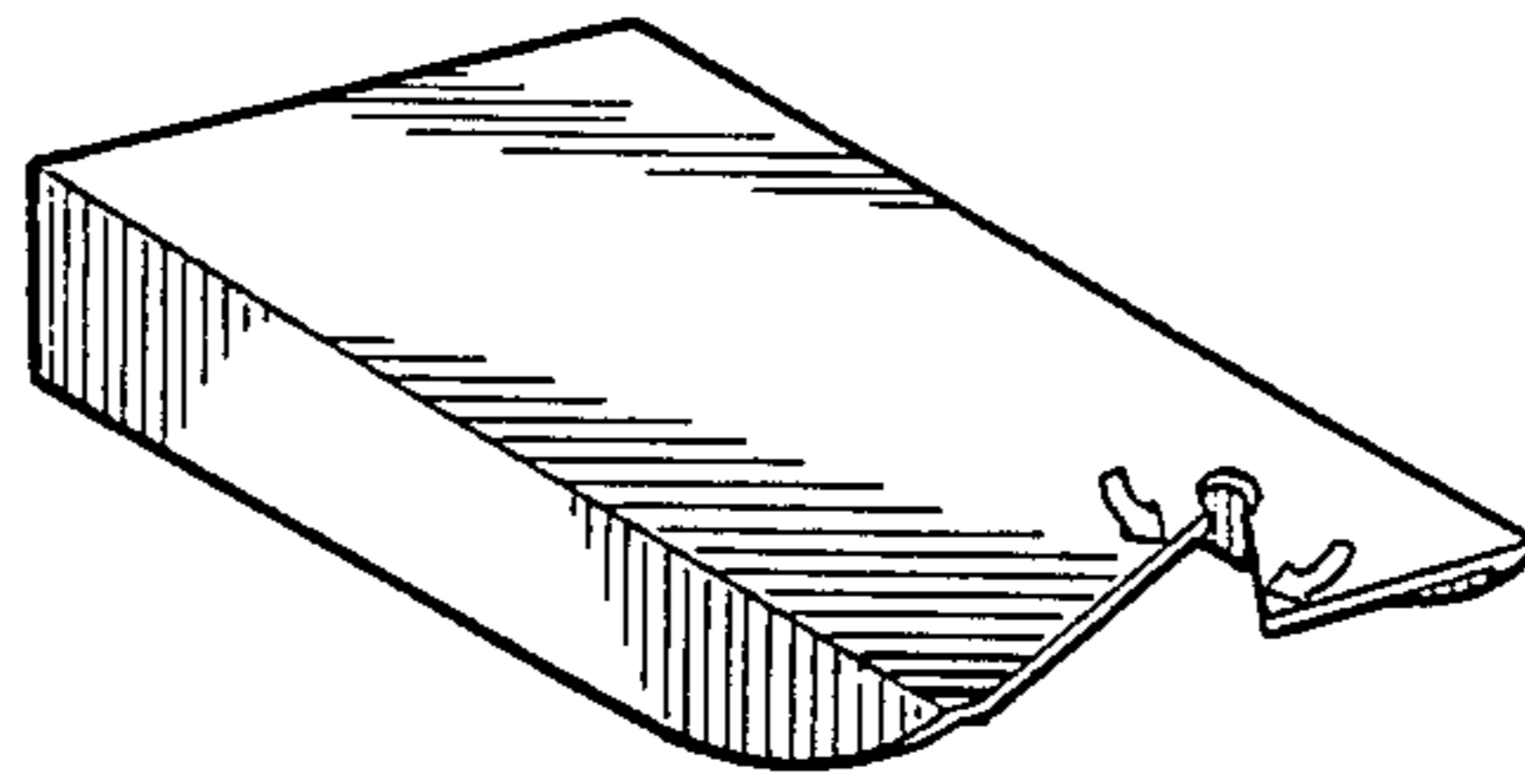


FIG. 5

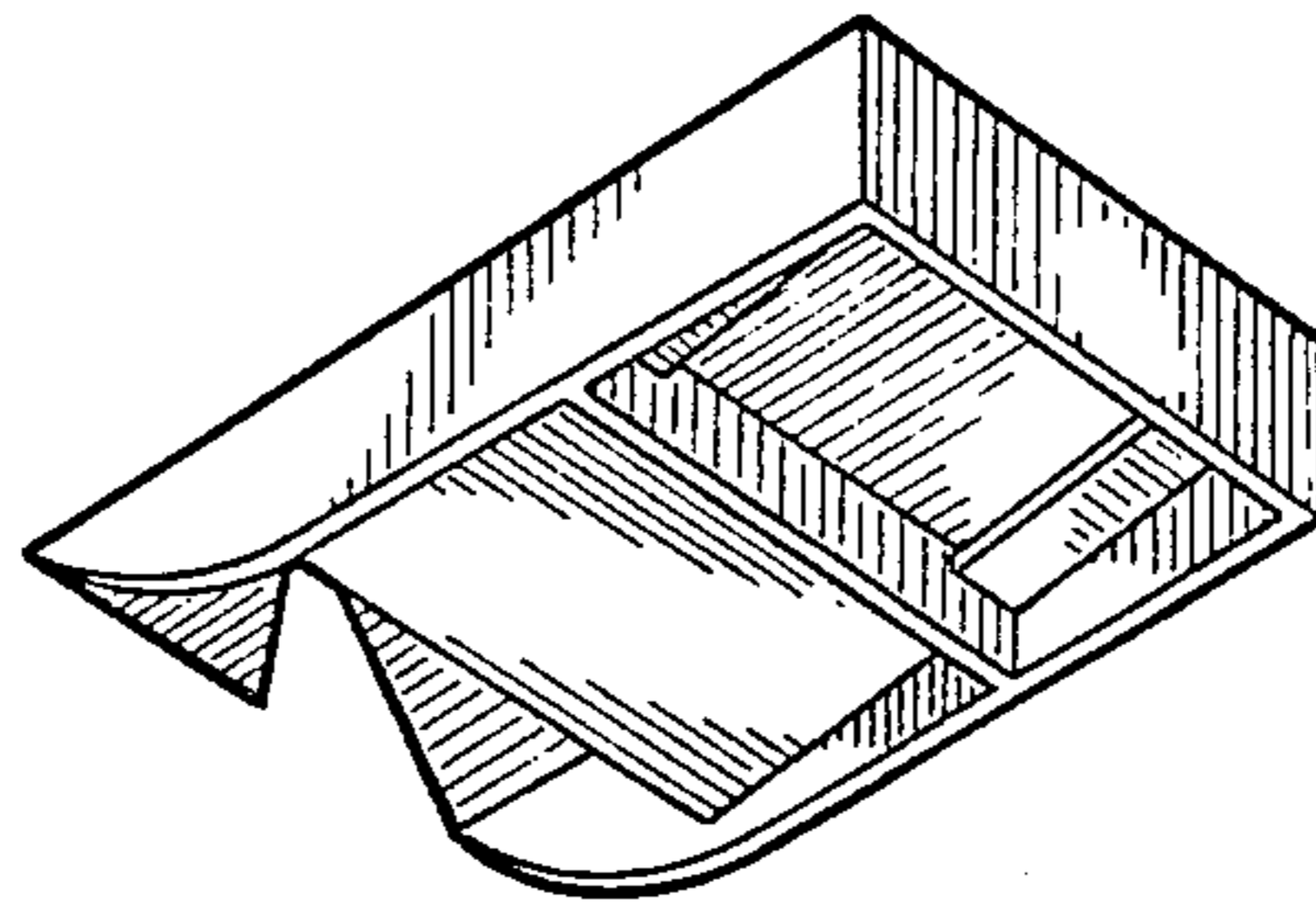


FIG. 6