

[54] BARBEQUE GRILL

[76] Inventor: Douglas G. Tsai, P.O. Box 705, Taipei 10098, Taiwan

[**] Term: 14 Years

[21] Appl. No.: 693,734

[22] Filed: Jan. 23, 1985

[52] U.S. Cl. D7/335

[58] Field of Search D7/331-333, D7/335-336, 342, 345, 347-348, 341, 408-409; 99/419, 421 R, 421 A, 421 H, 421 HV, 444-446, 449-450; 126/25 R, 25 A, 25 AA, 25 B, 26, 29-30, 2-3, 9 R, 36, 59, 152 R, 152 A, 152 B, 153-154; 248/127; D20/7, 41

[56] References Cited

U.S. PATENT DOCUMENTS

- D. 229,660 12/1973 Gammon D7/332
- D. 235,088 5/1975 Erickson D7/332

- D. 237,856 12/1975 Madson D7/332
- D. 252,788 9/1979 Talbert D7/334
- D. 258,108 2/1981 Cone D7/332
- D. 265,881 8/1982 Bell et al. D7/337
- D. 282,811 3/1986 Best D7/332
- D. 283,391 4/1986 McNiel D7/332
- 3,692,012 9/1972 Wiggins 126/25 R

Primary Examiner—Wallace R. Burke

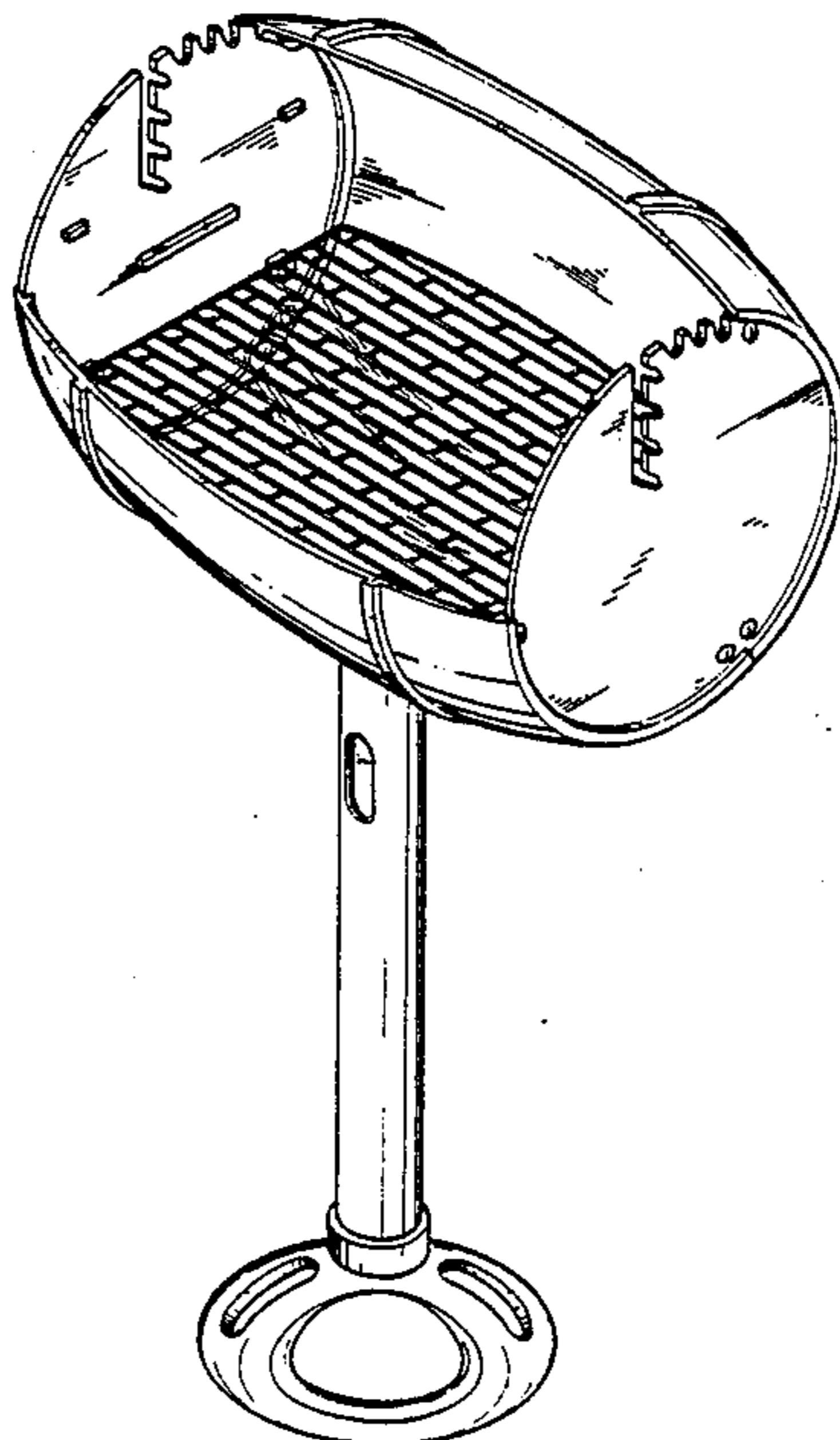
Assistant Examiner—Ruth Takemoto

[57] CLAIM

The ornamental design for a Barbeque Grill as shown.

DESCRIPTION

FIG. 1 is a front perspective view of a barbecue grill, showing my new design;
 FIG. 2 is a top plan view thereof;
 FIG. 3 is a left side elevational view thereof;
 FIG. 4 is a front elevational view thereof;
 FIG. 5 is a right side elevational view thereof;
 FIG. 6 is a rear elevational view thereof; and
 FIG. 7 is a bottom plan view thereof.



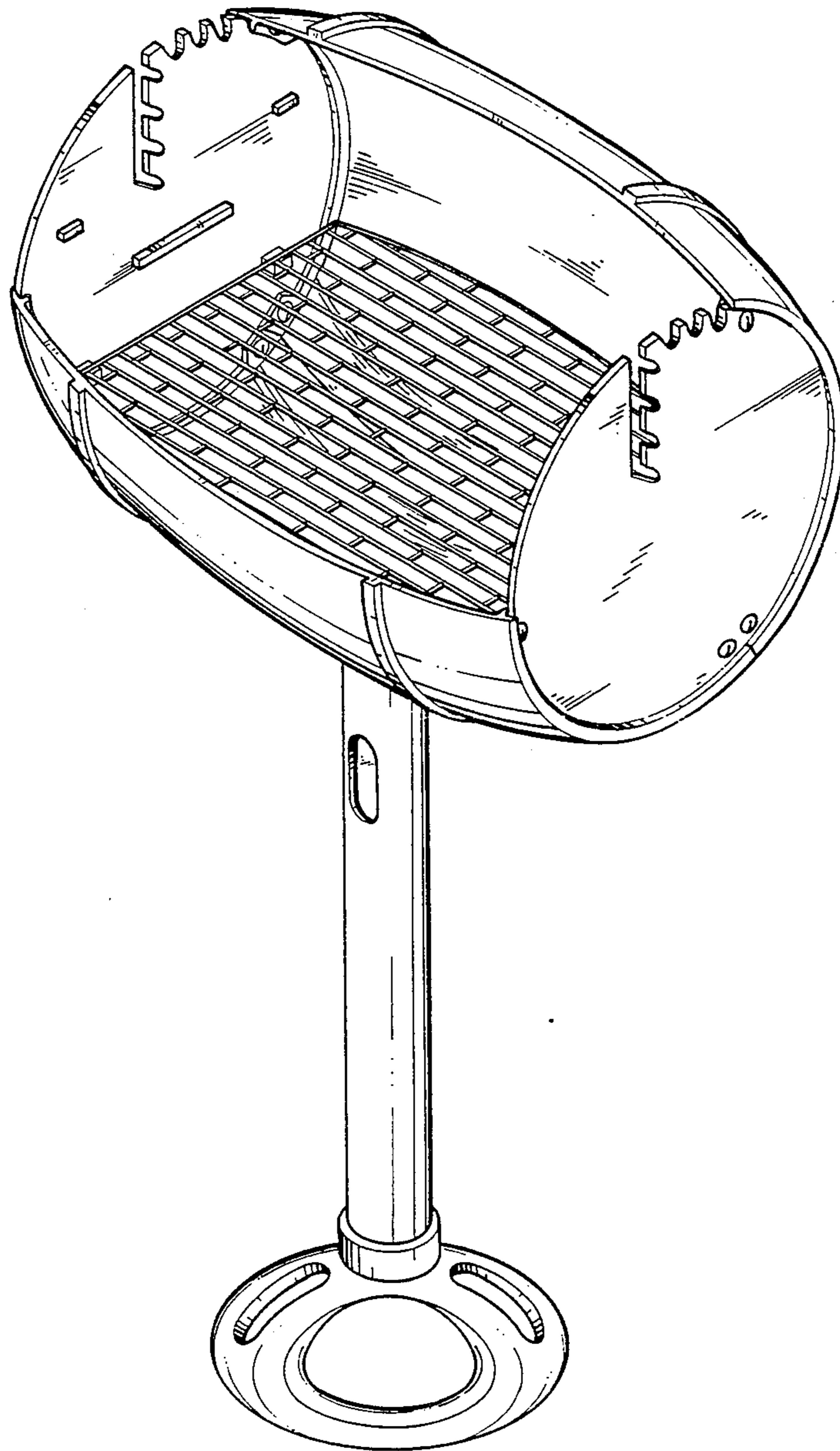


FIG-1

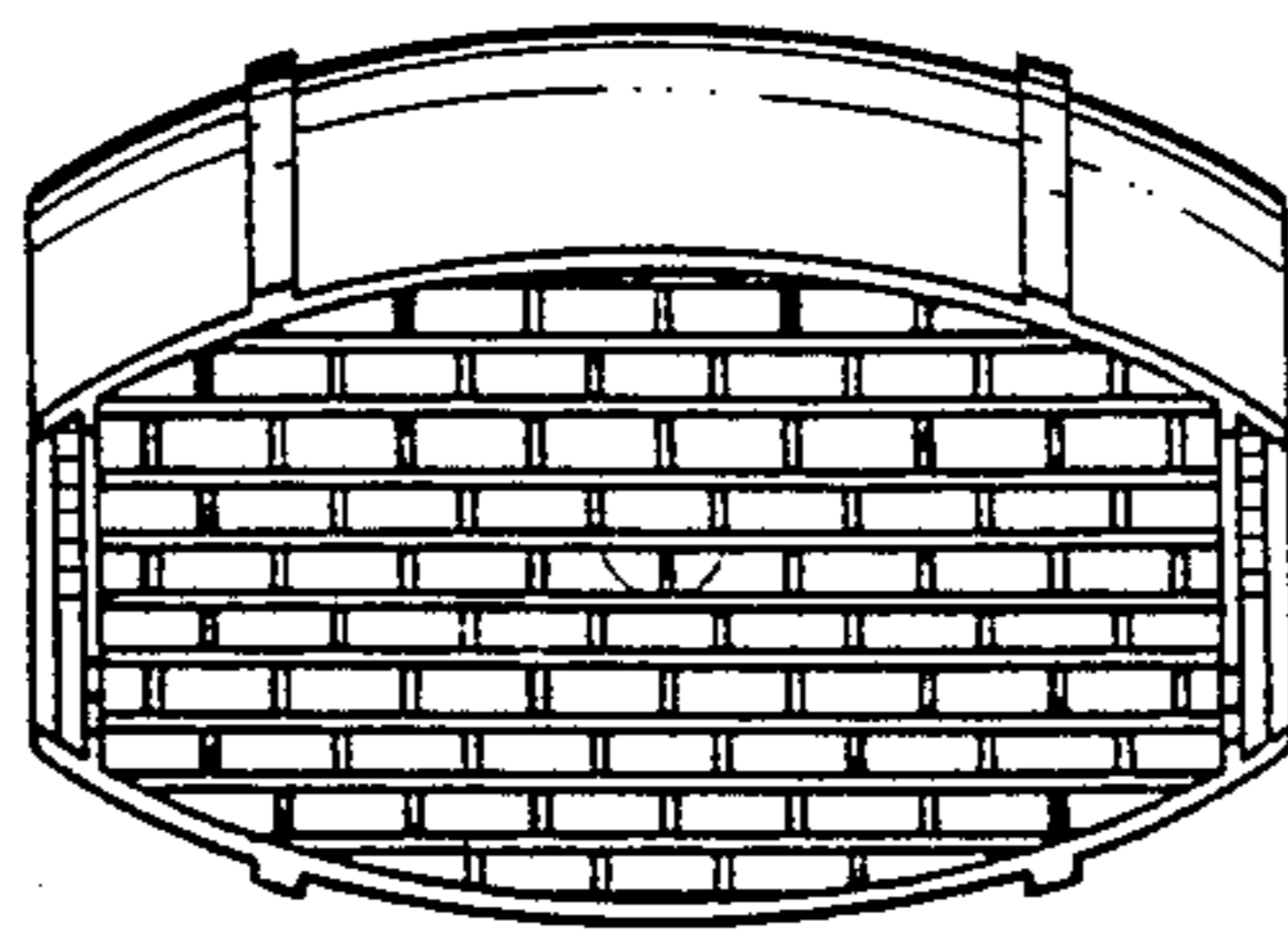


FIG-2

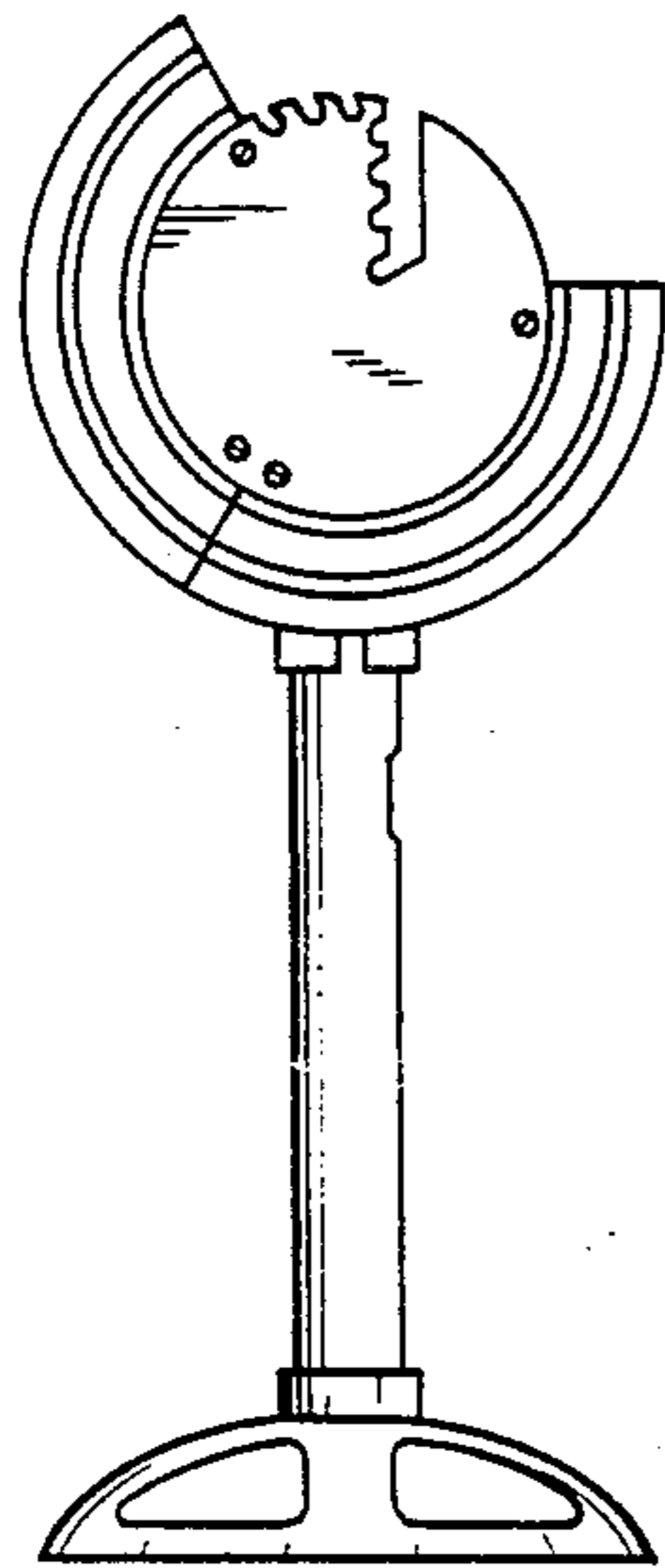


FIG-3

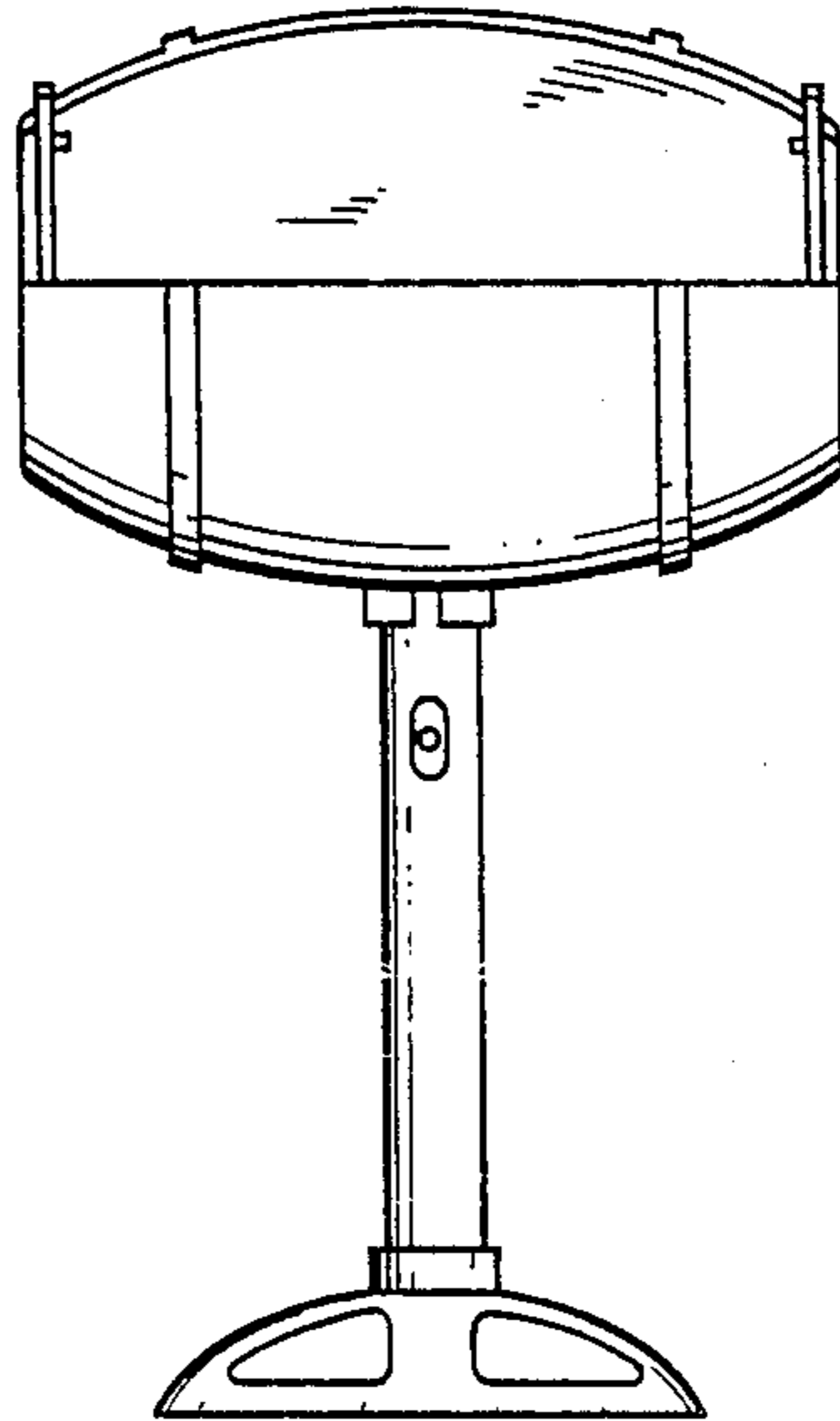


FIG-4

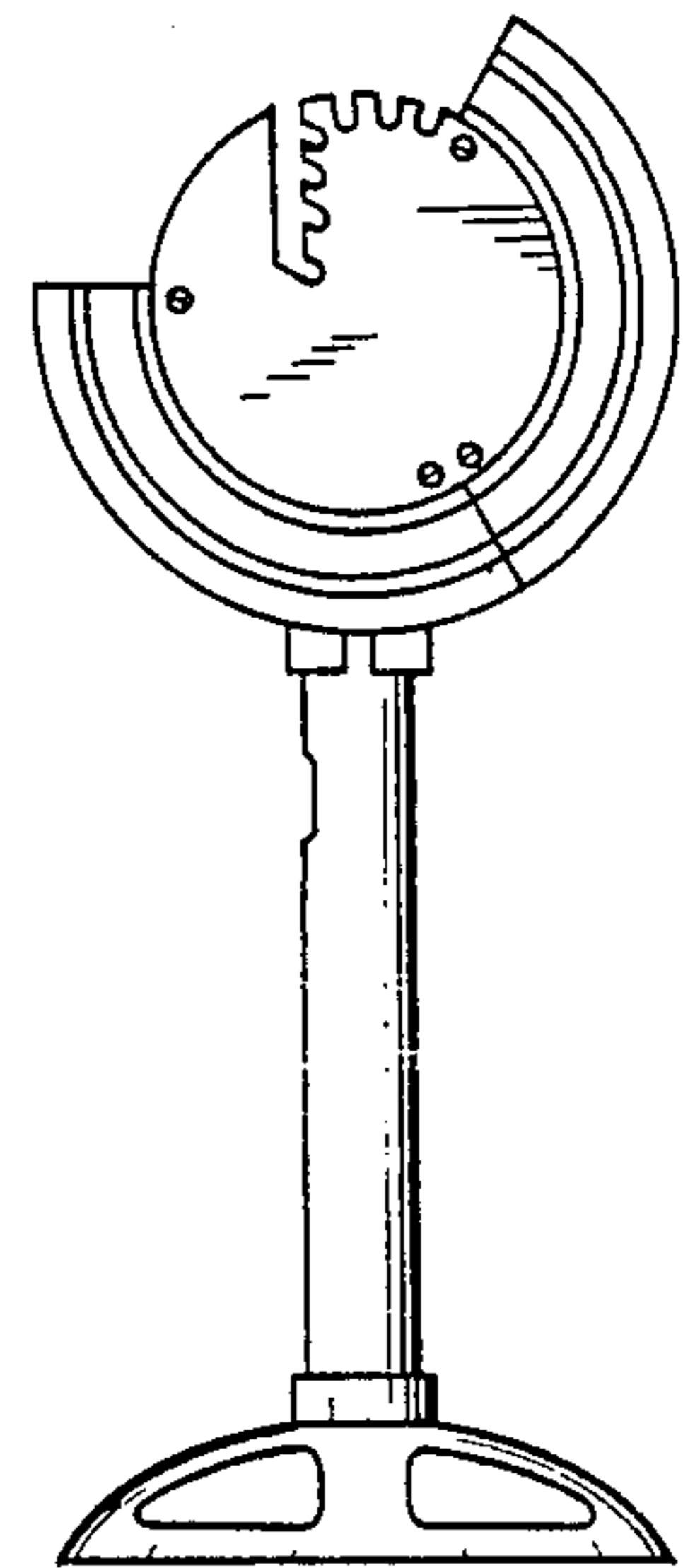


FIG-5

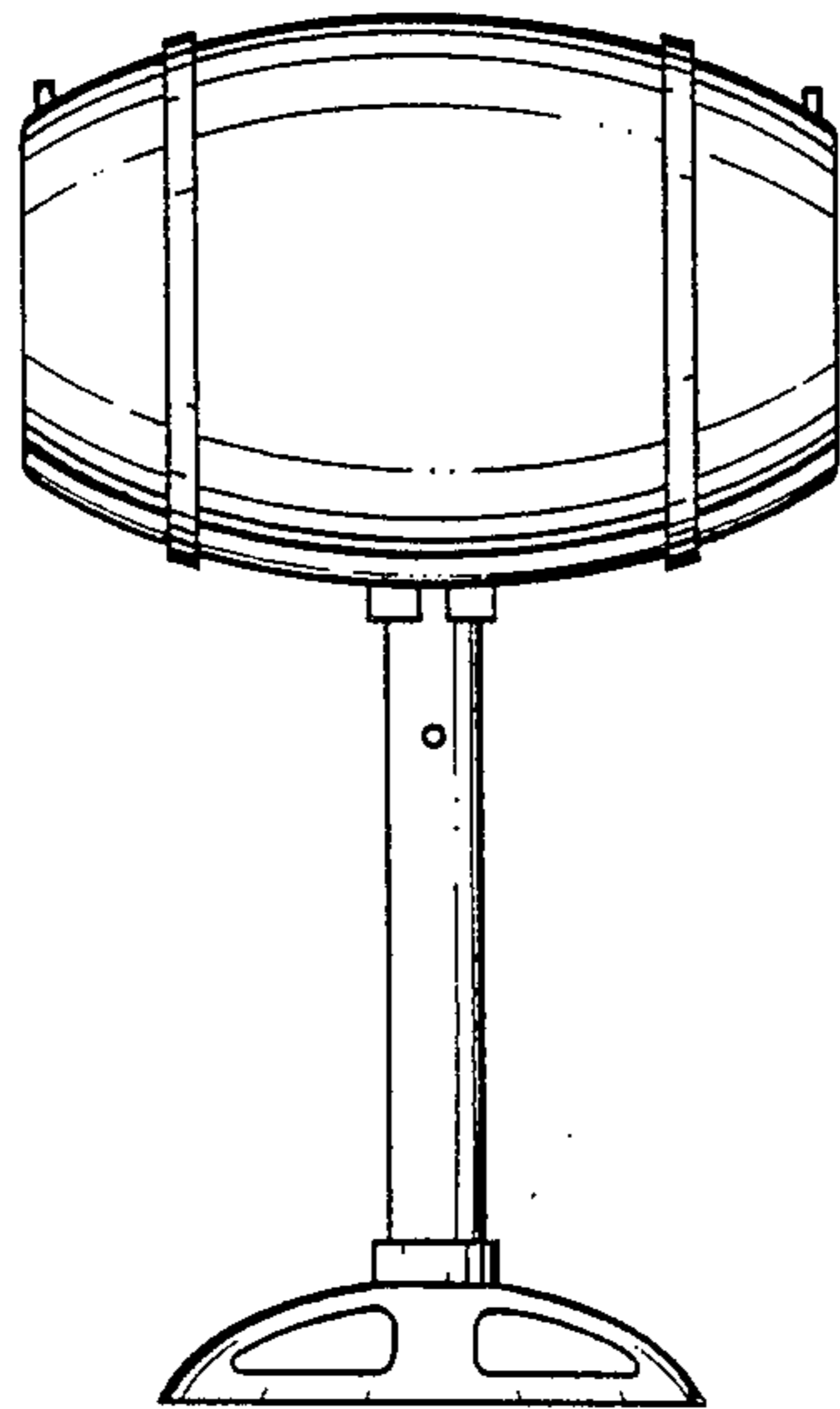


FIG-6

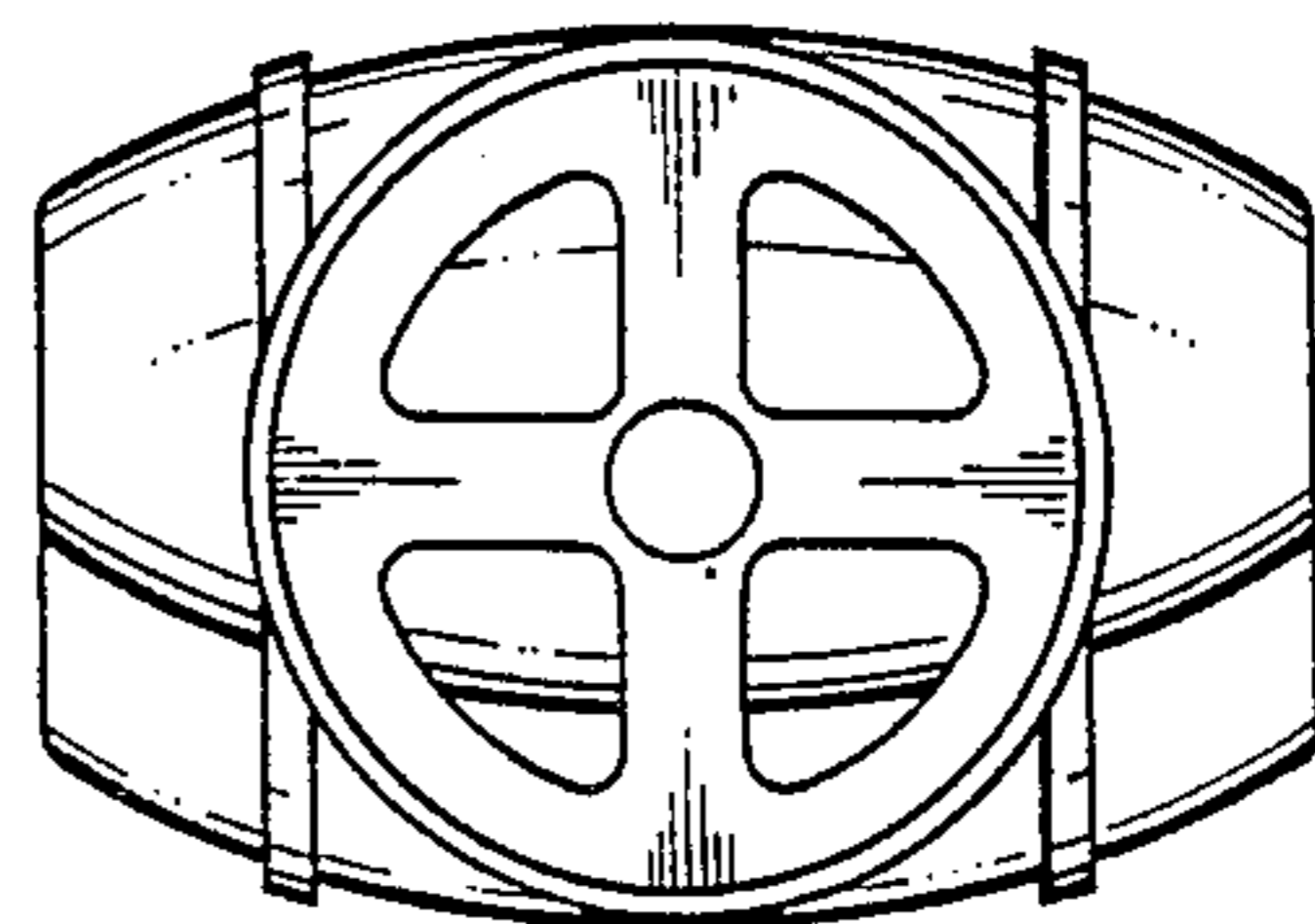


FIG-7