

[54] TURNER

[75] Inventors: William D. Hiscott, Chicago, Ill.; Ina Witlin, North Miami Beach, Fla.; Theodore J. Hasler; Andrew T. Jastrzebski, both of Chicago, Ill.

[73] Assignee: Ekco Housewares, Inc., Franklin Park, Ill.

[\*\*] Term: 14 Years

[21] Appl. No.: 45,150

[22] Filed: May 4, 1987

[52] U.S. Cl. .... D7/102

[58] Field of Search ..... D7/99-106; 294/1.1, 7, 8; 7/110

[56] References Cited

U.S. PATENT DOCUMENTS

D. 217,004 3/1970 Gay ..... D7/99  
2,573,922 11/1951 Meyer ..... 294/7

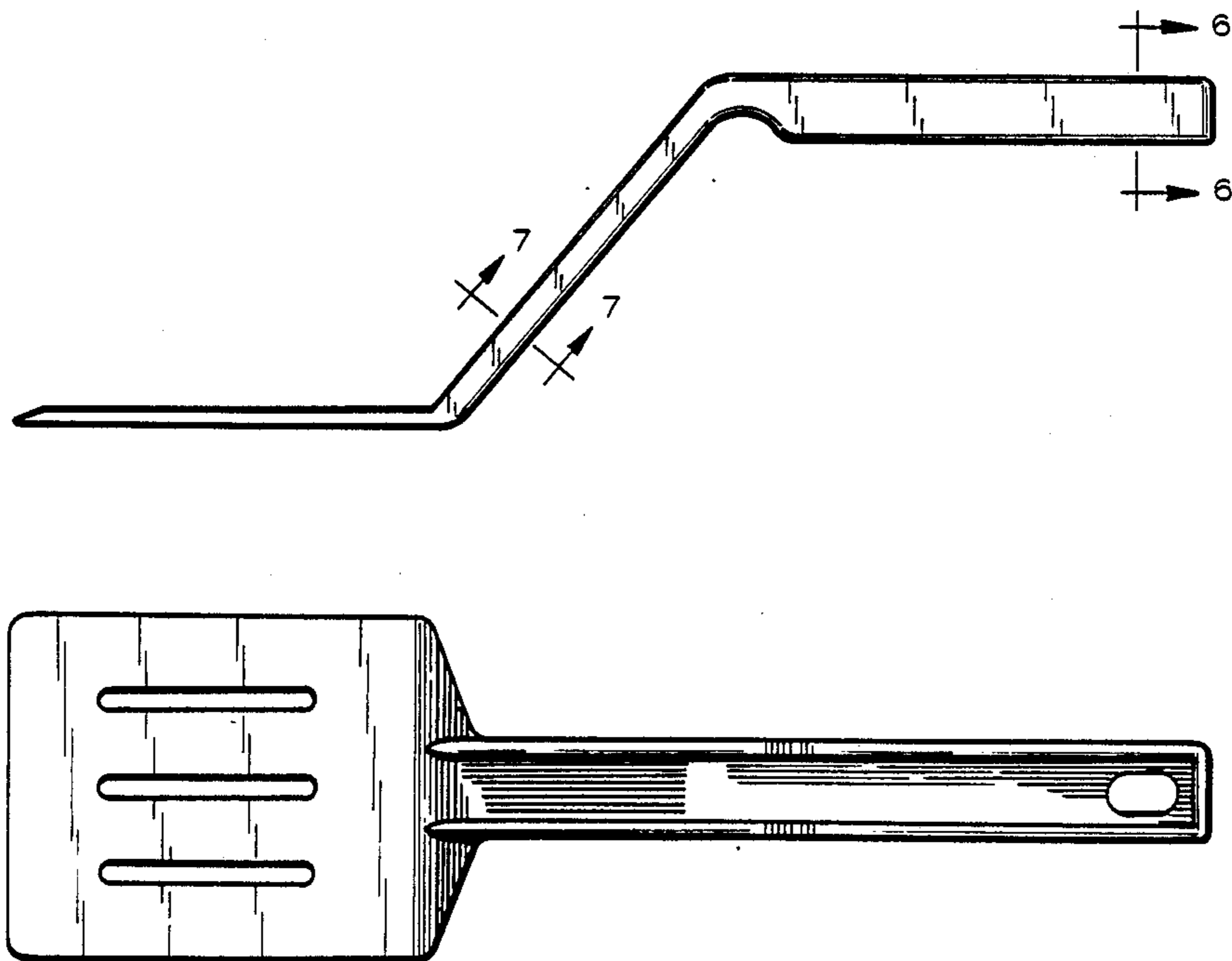
Primary Examiner—Bernard Ansher  
Assistant Examiner—Terry A. Pfeffer  
Attorney, Agent, or Firm—Robert D. Teichert

[57] CLAIM

The ornamental design for a turner, as shown.

DESCRIPTION

FIG. 1 is a top plan view of a turner showing our new design;  
FIG. 2 is a side elevational view thereof;  
FIG. 3 is a bottom plan view thereof;  
FIG. 4 is a left end elevational view thereof;  
FIG. 5 is a right end elevational view thereof;  
FIG. 6 is a sectional view on an enlarged scale taken along line 6—6 of FIG. 2;  
FIG. 7 is a sectional view on an enlarged scale taken along line 7—7 of FIG. 2.



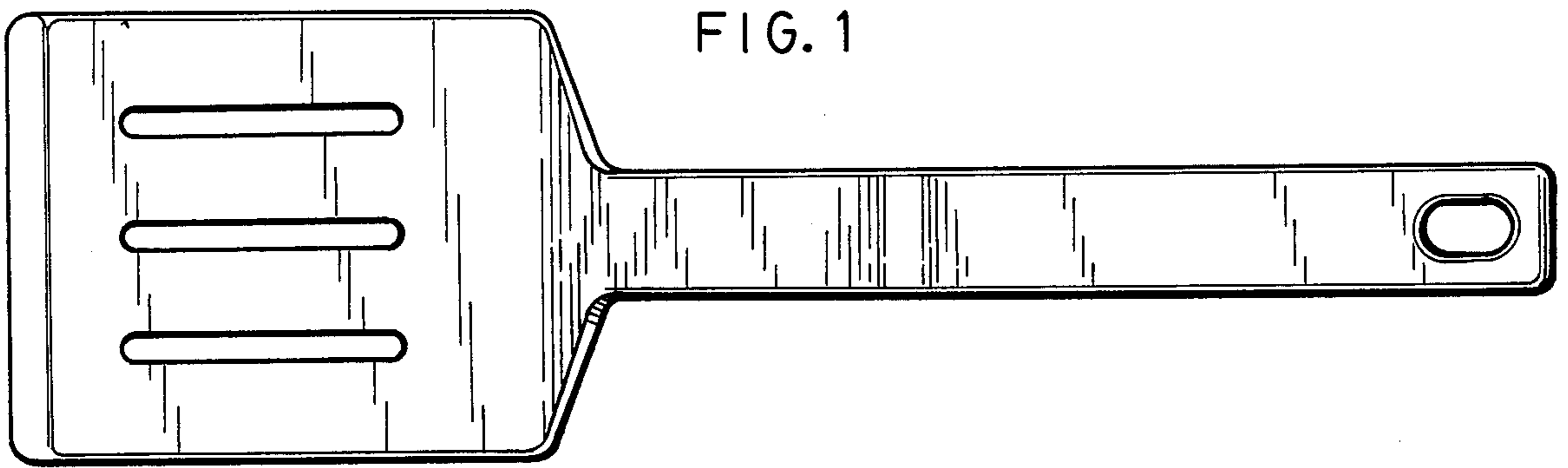


FIG. 1

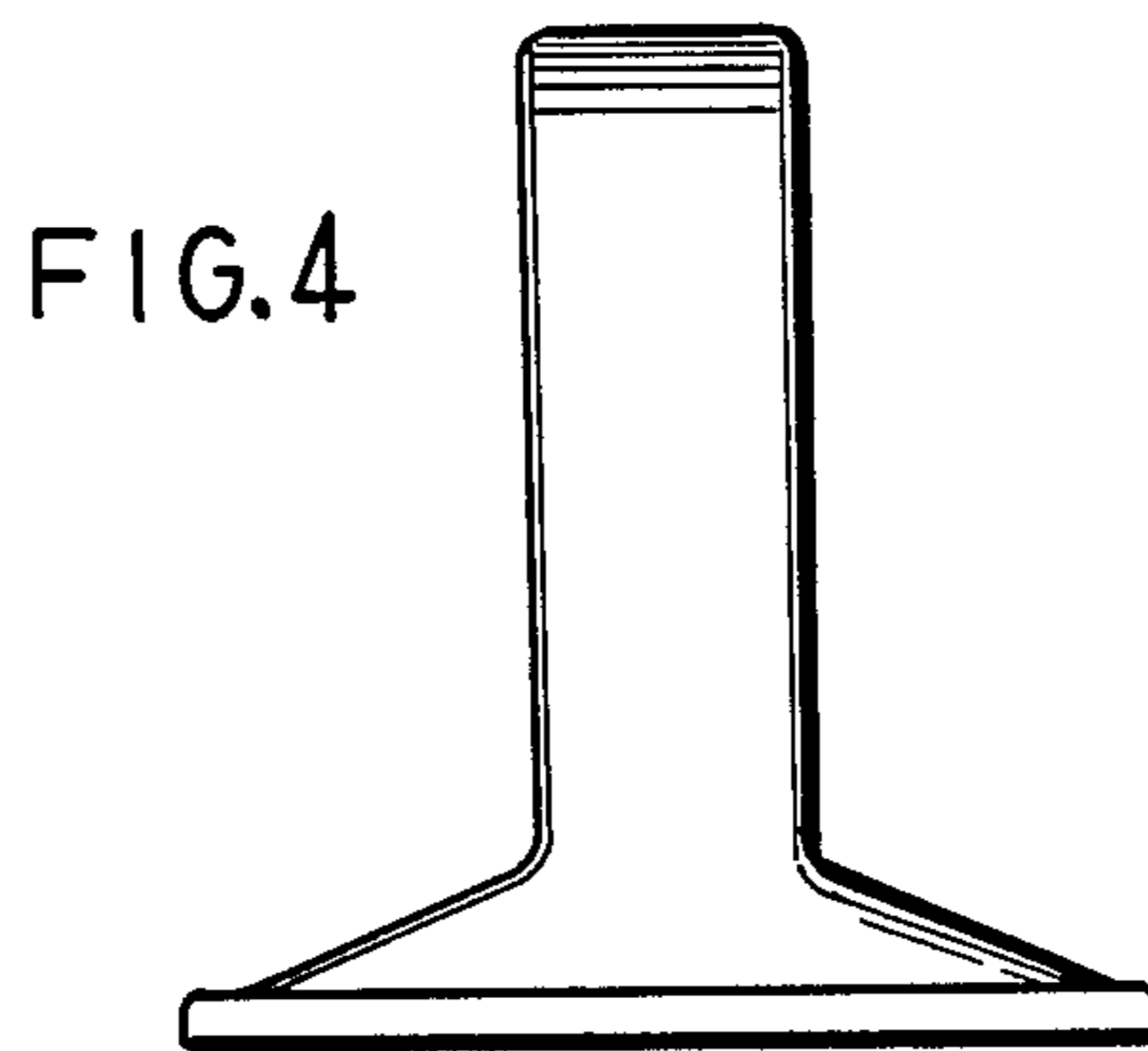


FIG. 4

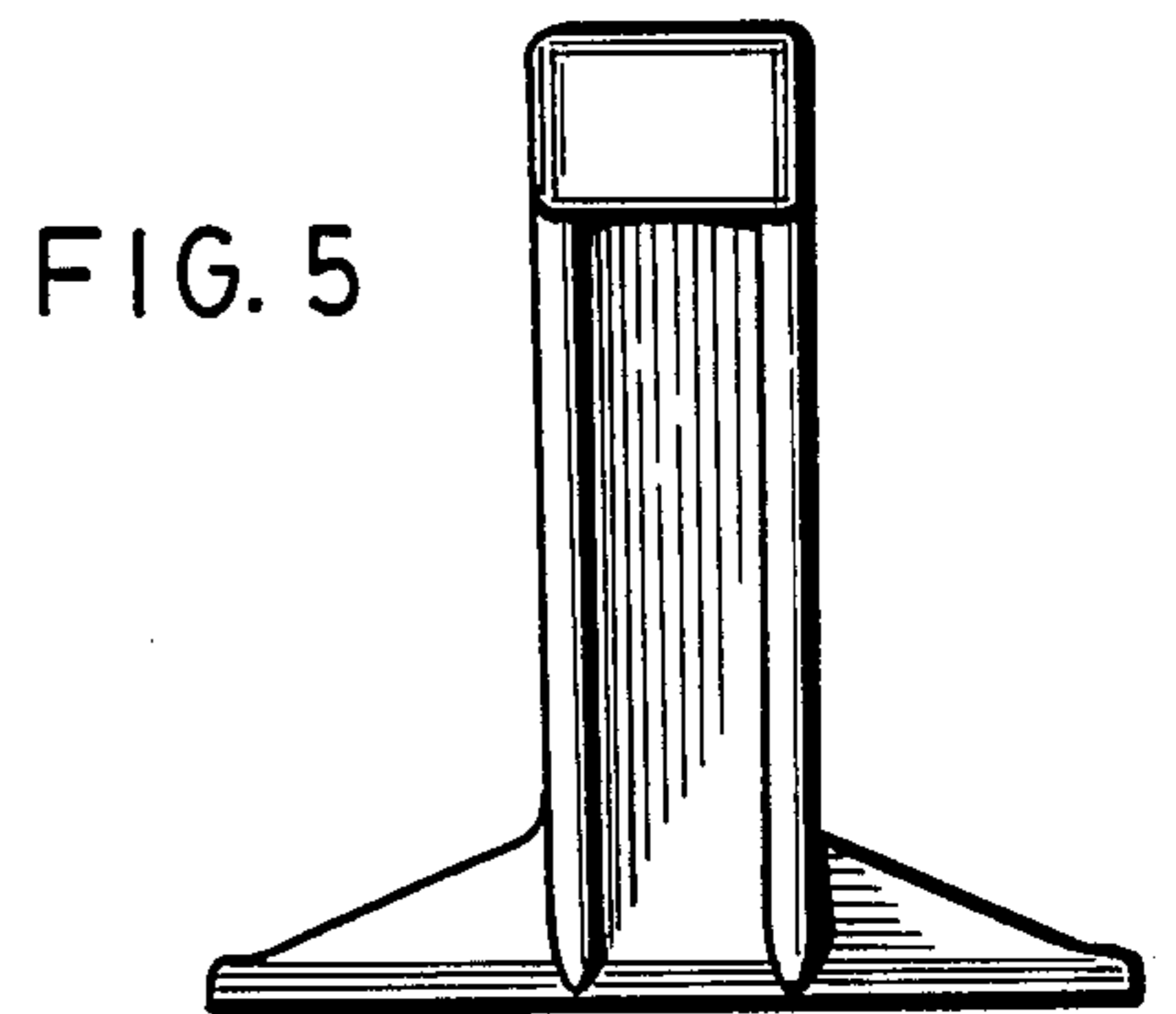


FIG. 5

FIG. 6

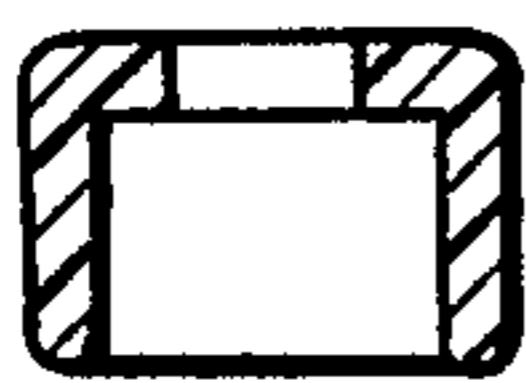


FIG. 7

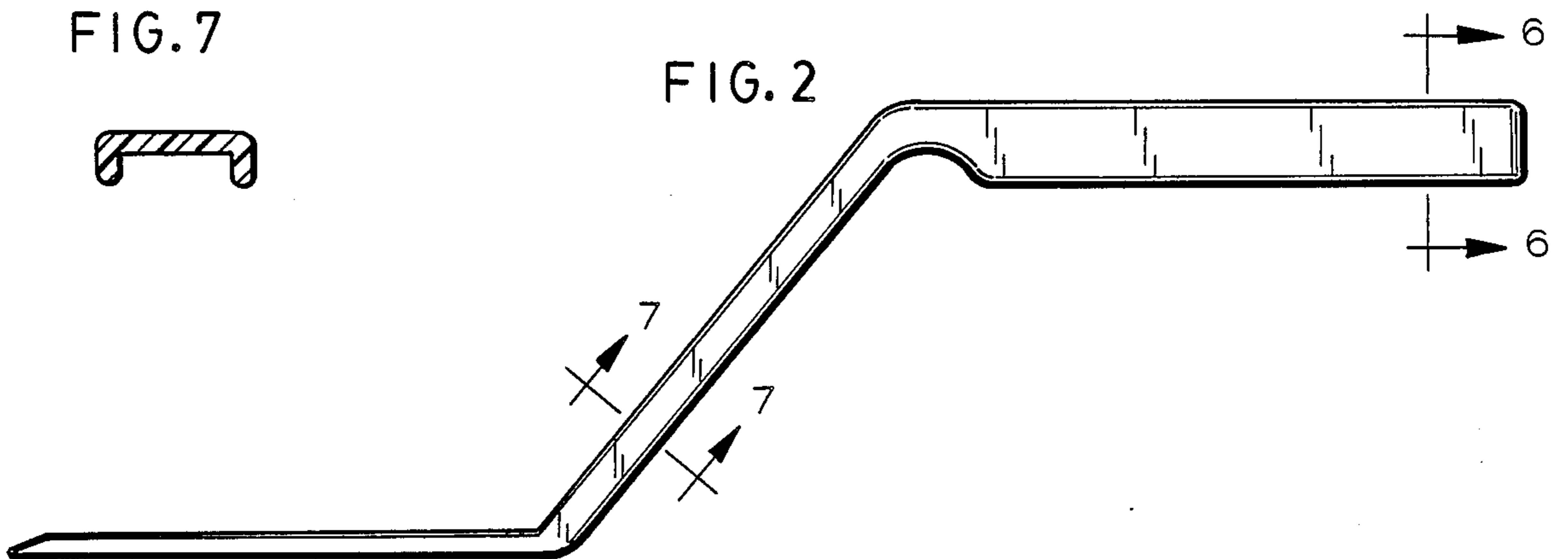
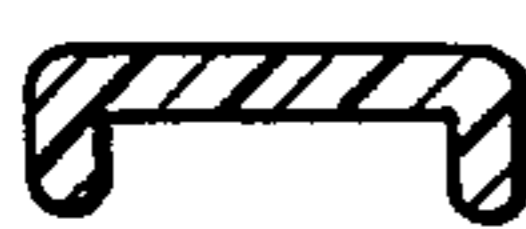


FIG. 2

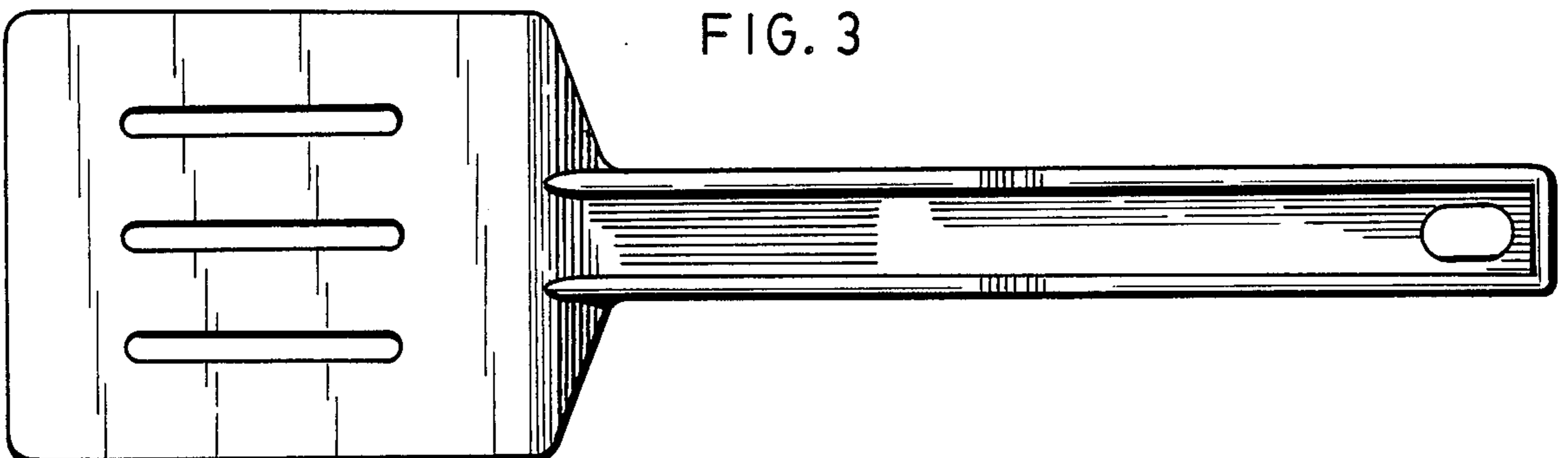


FIG. 3