

[54] **STORAGE CONTAINER**

[75] **Inventor: Kent W. Murphy, Wooster, Ohio**

[73] **Assignee: Rubbermaid Incorporated, Wooster, Ohio**

[**] **Term: 14 Years**

[21] **Appl. No.: 847,864**

[22] **Filed: Apr. 3, 1986**

[52] **U.S. Cl. D7/76; D9/425**

[58] **Field of Search D7/76, 16, 77; D9/432, D9/435, 425; 220/306; 206/508, 518**

[56] **References Cited**

U.S. PATENT DOCUMENTS

- D. 238,148 12/1975 Dilot D9/425 X
- D. 239,695 4/1976 Fier D9/425
- 2,767,878 10/1956 Brown D9/425 X

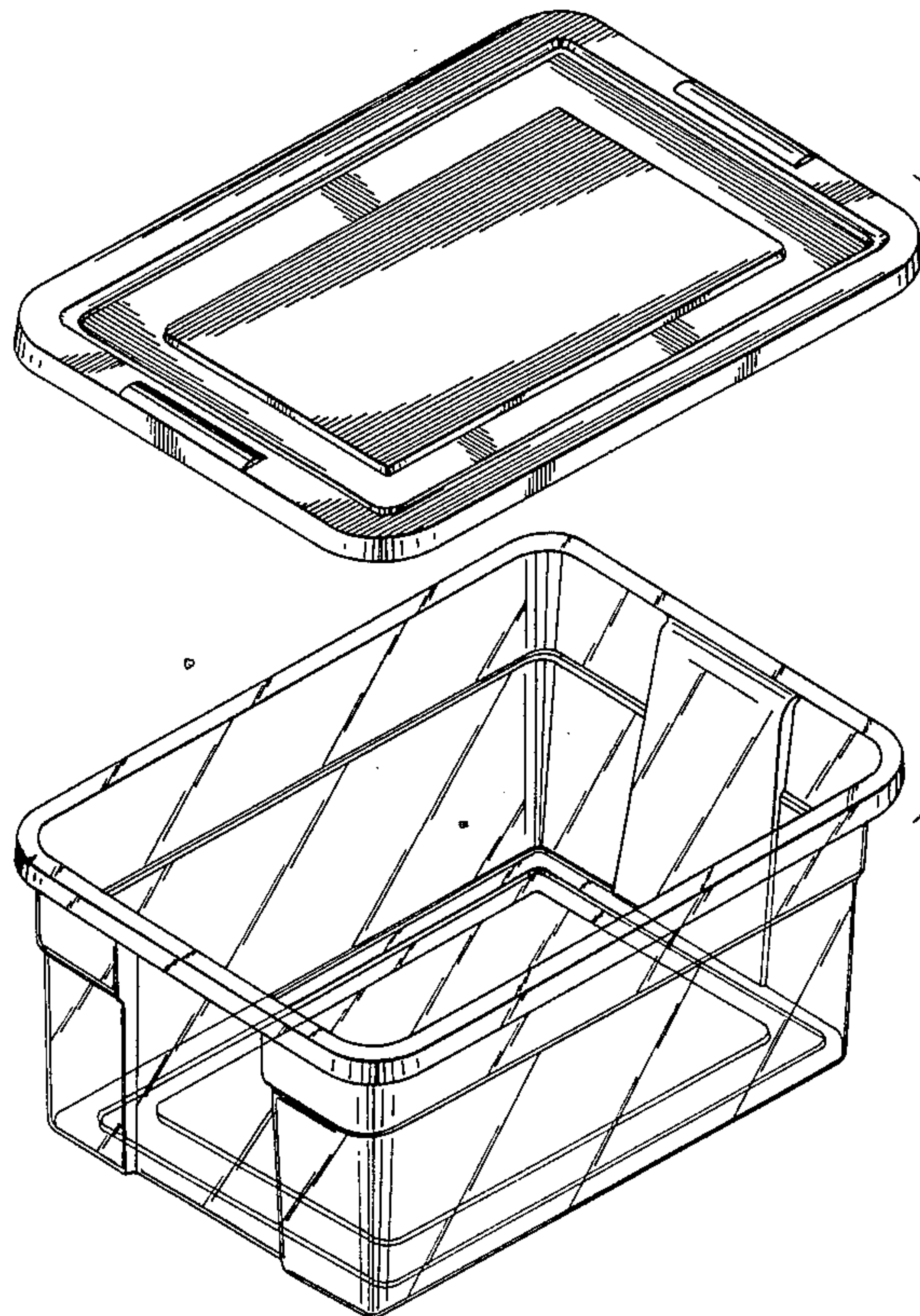
Primary Examiner—B. J. Bullock
Assistant Examiner—Terry A. Pfeffer
Attorney, Agent, or Firm—Richard B. O'Planick

[57] **CLAIM**

The ornamental design for a storage container, as shown and described.

DESCRIPTION

FIG. 1 is an exploded perspective view of a storage container showing my new design;
FIG. 2 is a perspective view thereof in a closed position;
FIG. 3 is a left side elevational view thereof, the opposite side being a mirror image;
FIG. 4 is a top plan view thereof;
FIG. 5 is a front elevational view thereof, the opposite side being a mirror image;
FIG. 6 is a bottom plan view thereof; and
FIG. 7 is a cross-section thereof taken along line 7—7 of FIG. 4.



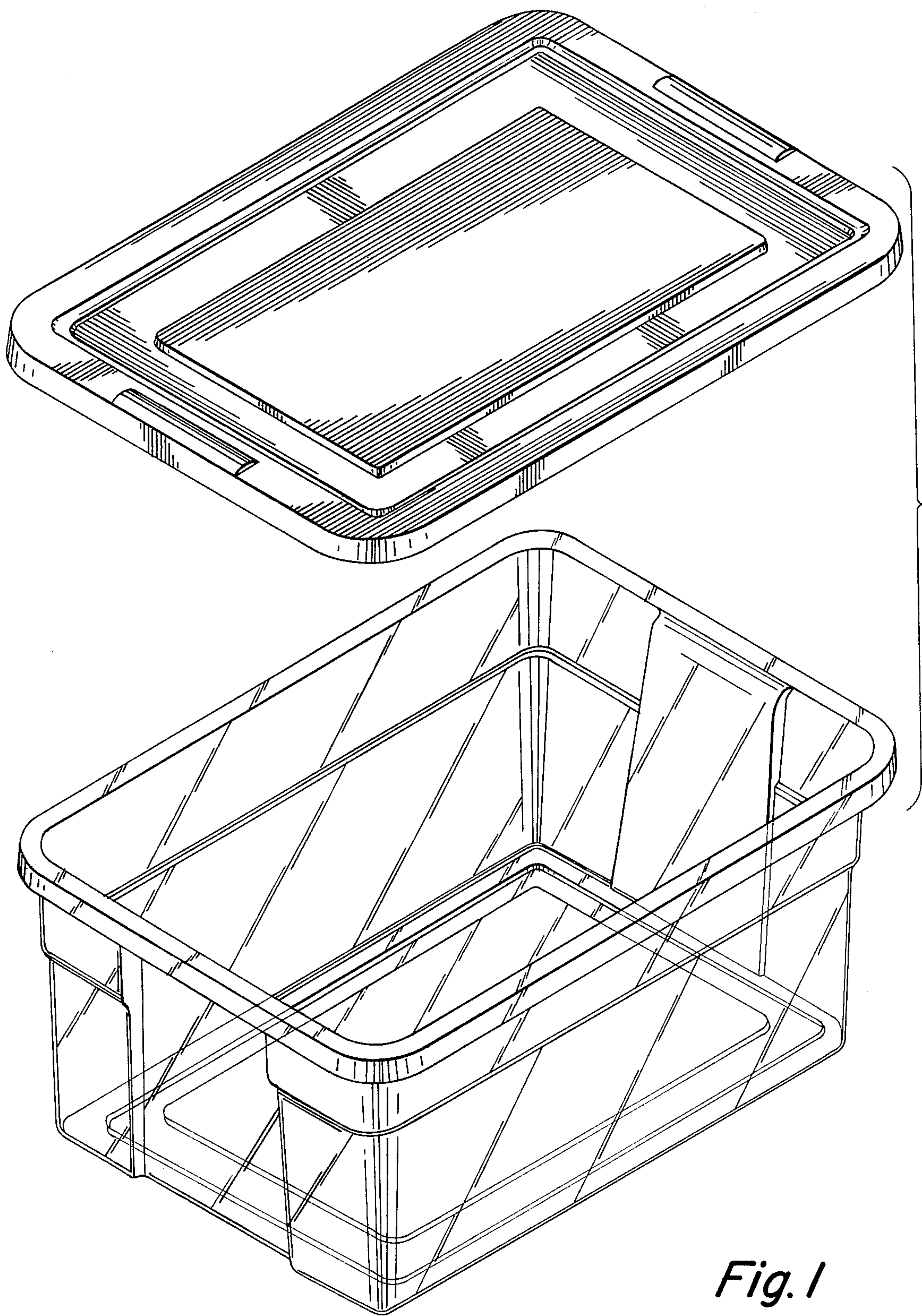


Fig. 1

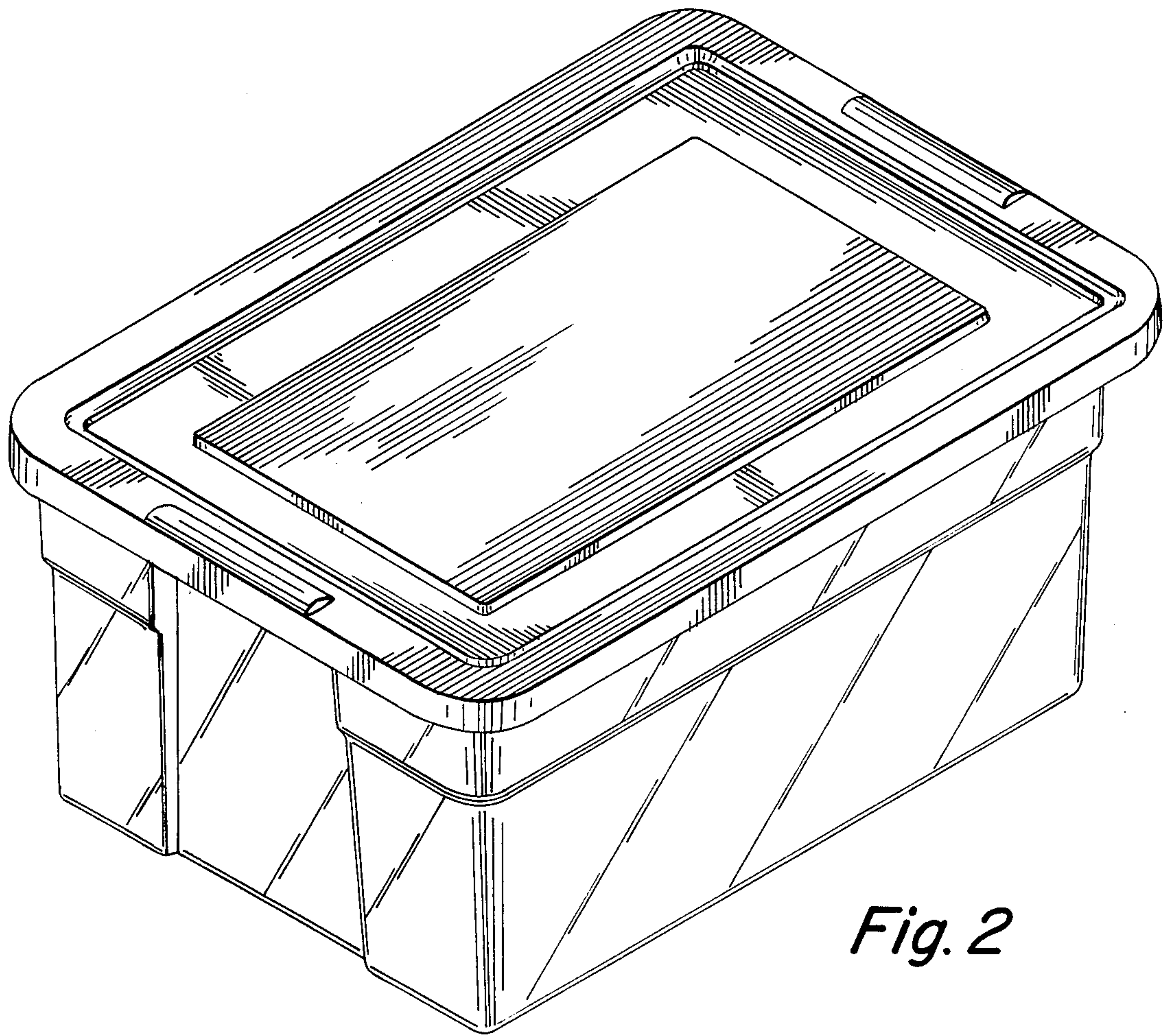


Fig. 2

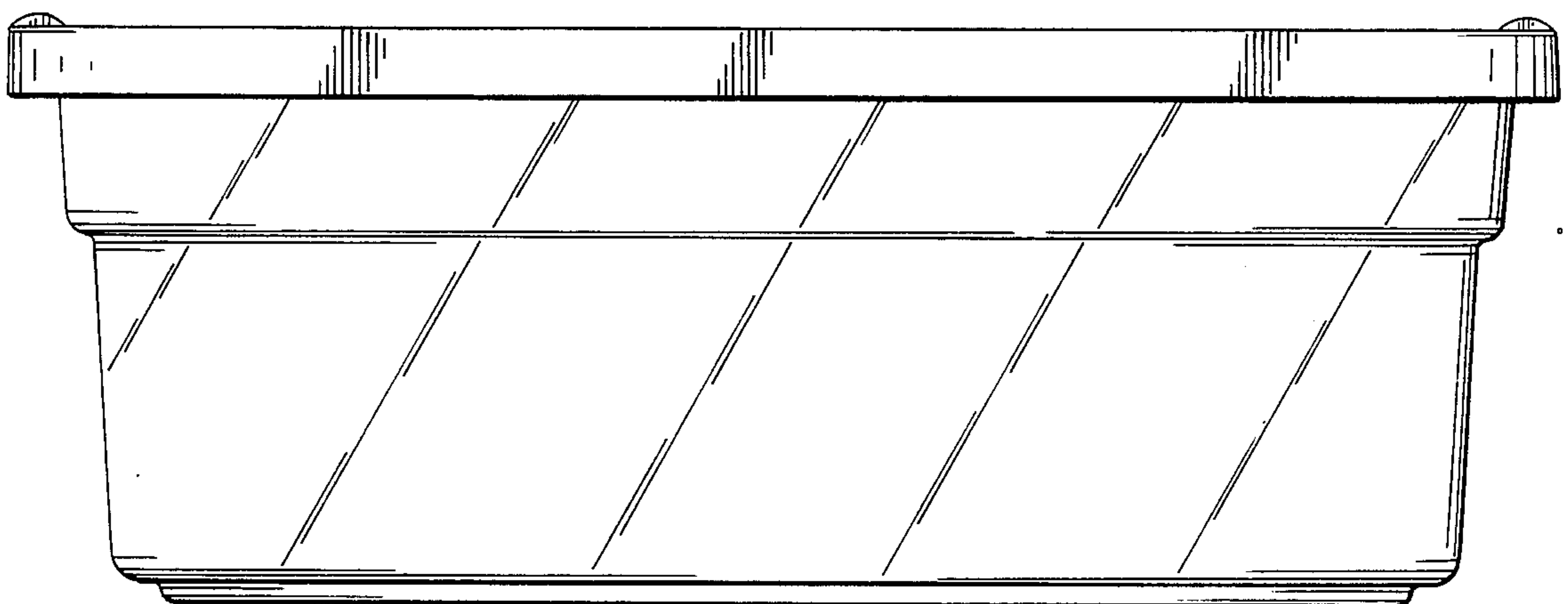


Fig. 3

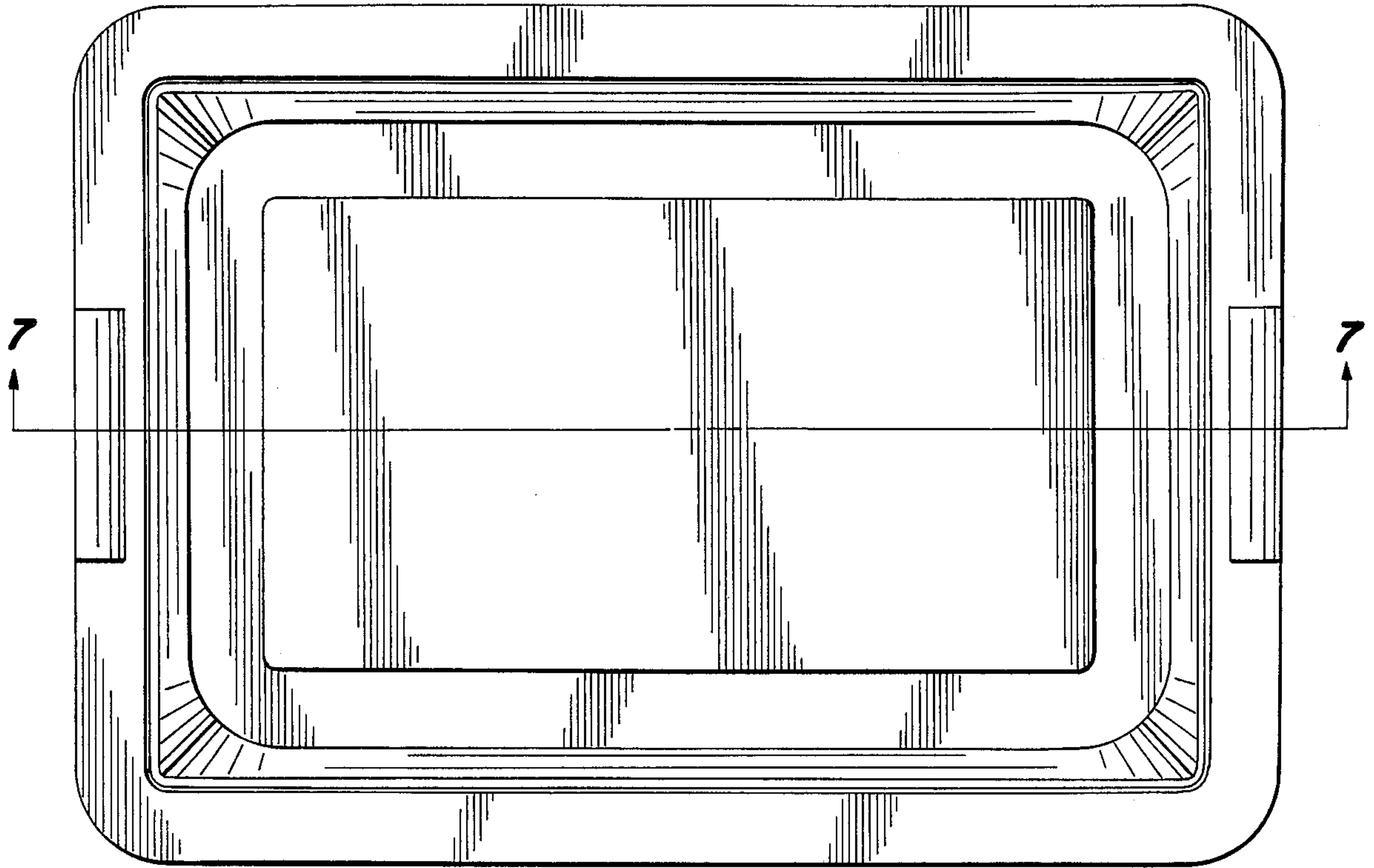


Fig. 4

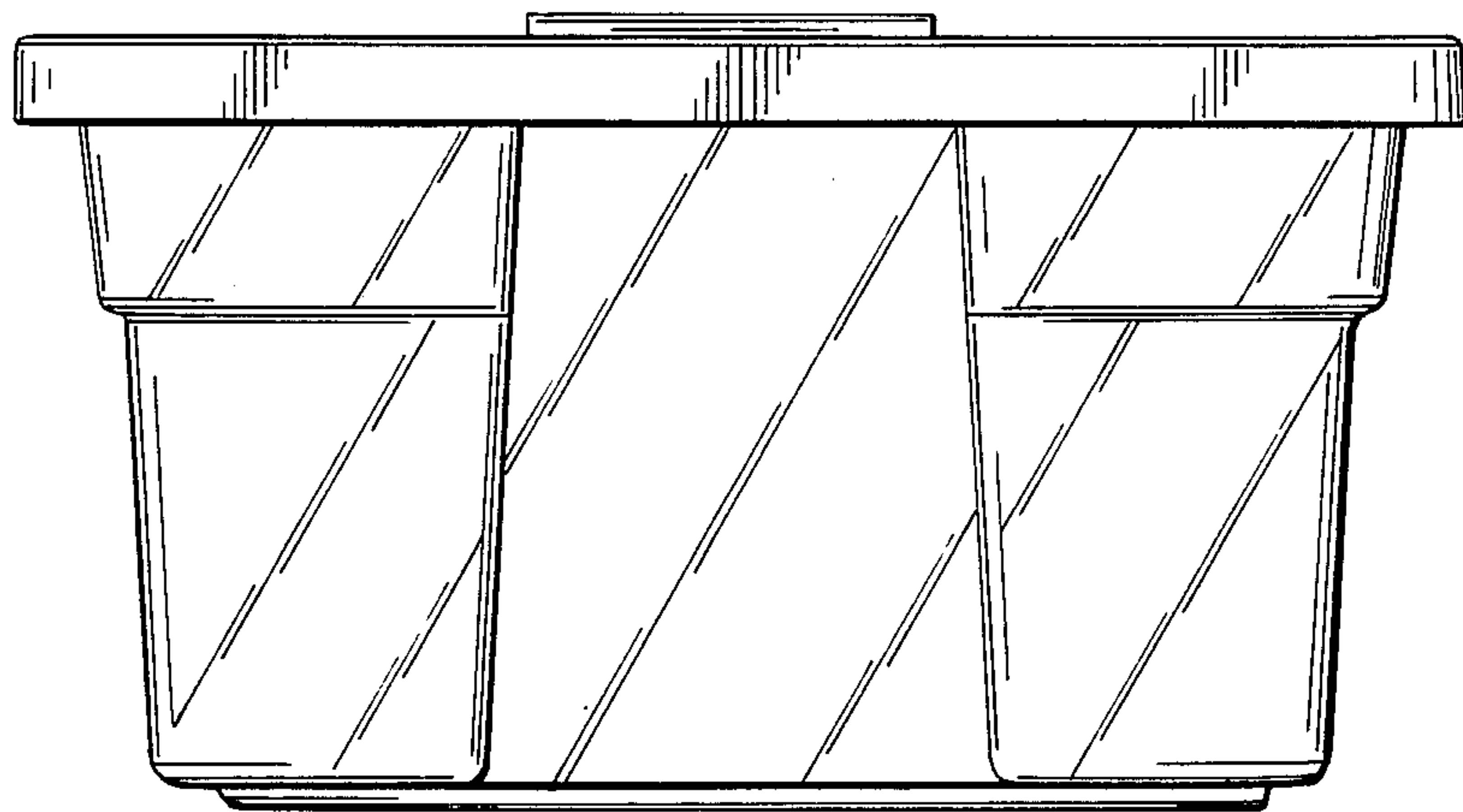


Fig. 5

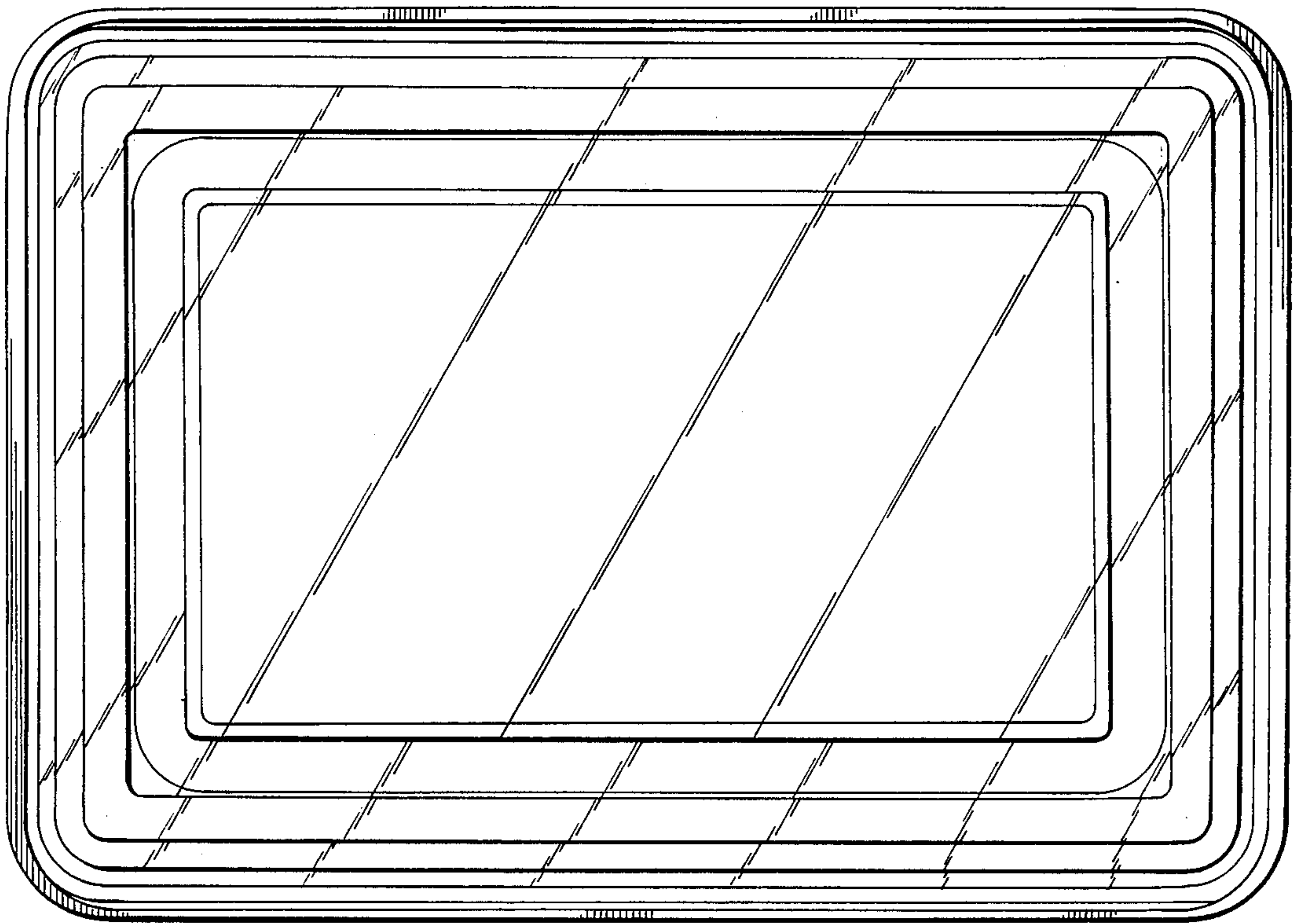


Fig. 6

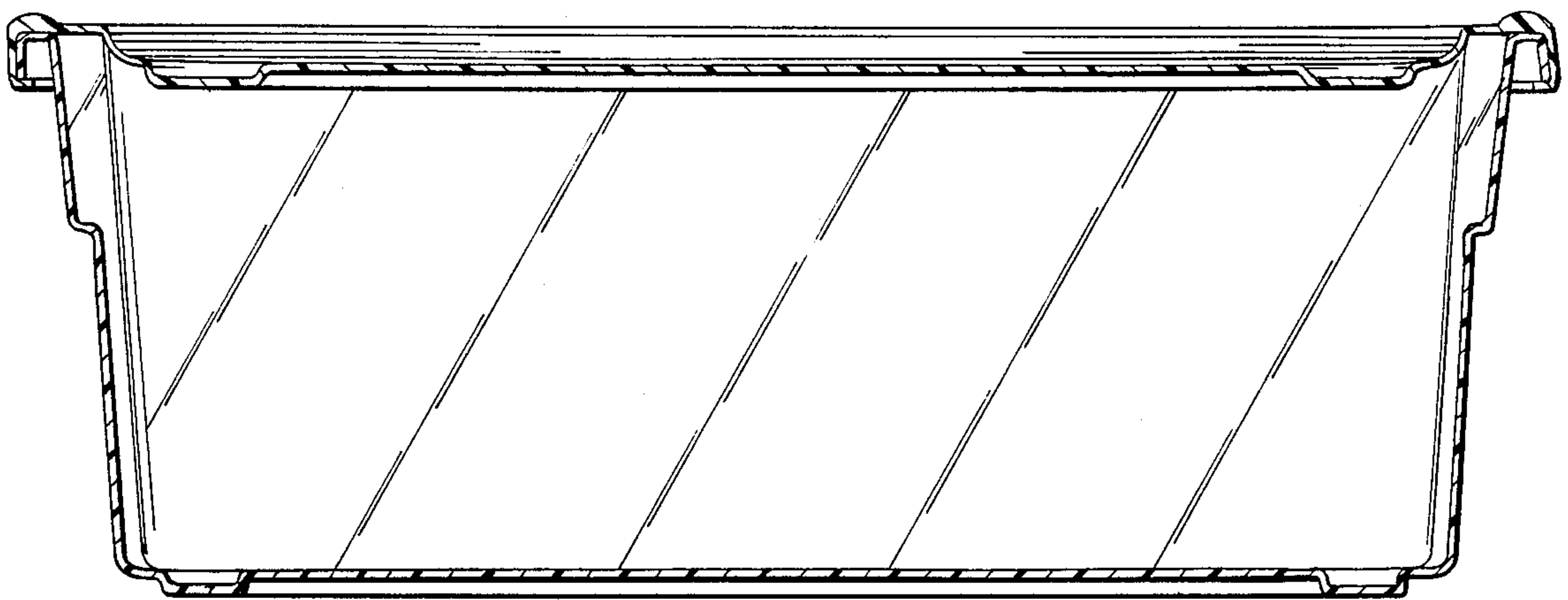


Fig. 7