

[54] COMBINED WALL-MOUNTED PANEL AND FOLDING SHELF

[75] Inventor: Frank A. Friedman, San Francisco, Calif.

[73] Assignee: Herman Miller, Inc., Zeeland, Mich.

[**] Term: 14 Years

[21] Appl. No.: 47,331

[22] Filed: May 6, 1987

[52] U.S. Cl. D6/555; D25/138

[58] Field of Search D6/512, 553, 555, 559-560, D6/567, 573-574; 312/242, 233, 239; 108/1, 6, 11, 15, 33, 35, 38; 211/13, 35, 86-88, 90, 96, 99, 126, 134, 150, 168-169; 52/36; D25/138

[56] References Cited

U.S. PATENT DOCUMENTS

D. 156,537	12/1949	Kent et al.	D6/574
D. 174,785	5/1955	Tompkins, Jr.	D6/555
D. 179,871	3/1957	Wrabha, Jr.	D6/559
D. 181,602	12/1957	Polk	D6/559
D. 188,944	10/1960	Blumenthal	D6/555
D. 284,723	7/1986	Morris et al.	D6/560
1,464,352	8/1923	Cox	211/150 X
2,673,132	3/1954	Alderman	312/239 X
4,100,858	7/1978	Bue et al.	108/38 X
4,118,903	10/1978	Coulthard	52/36
4,155,609	5/1979	Skafle et al.	D6/555 X

4,269,005	5/1981	Timmons	52/36
4,366,999	1/1983	Koncelik et al.	312/233 X
4,571,906	2/1986	Ashton	52/36 X

Primary Examiner—Wallace R. Burke
Assistant Examiner—Brian N. Vinson
Attorney, Agent, or Firm—Varnum, Riddering, Schmidt & Howlett

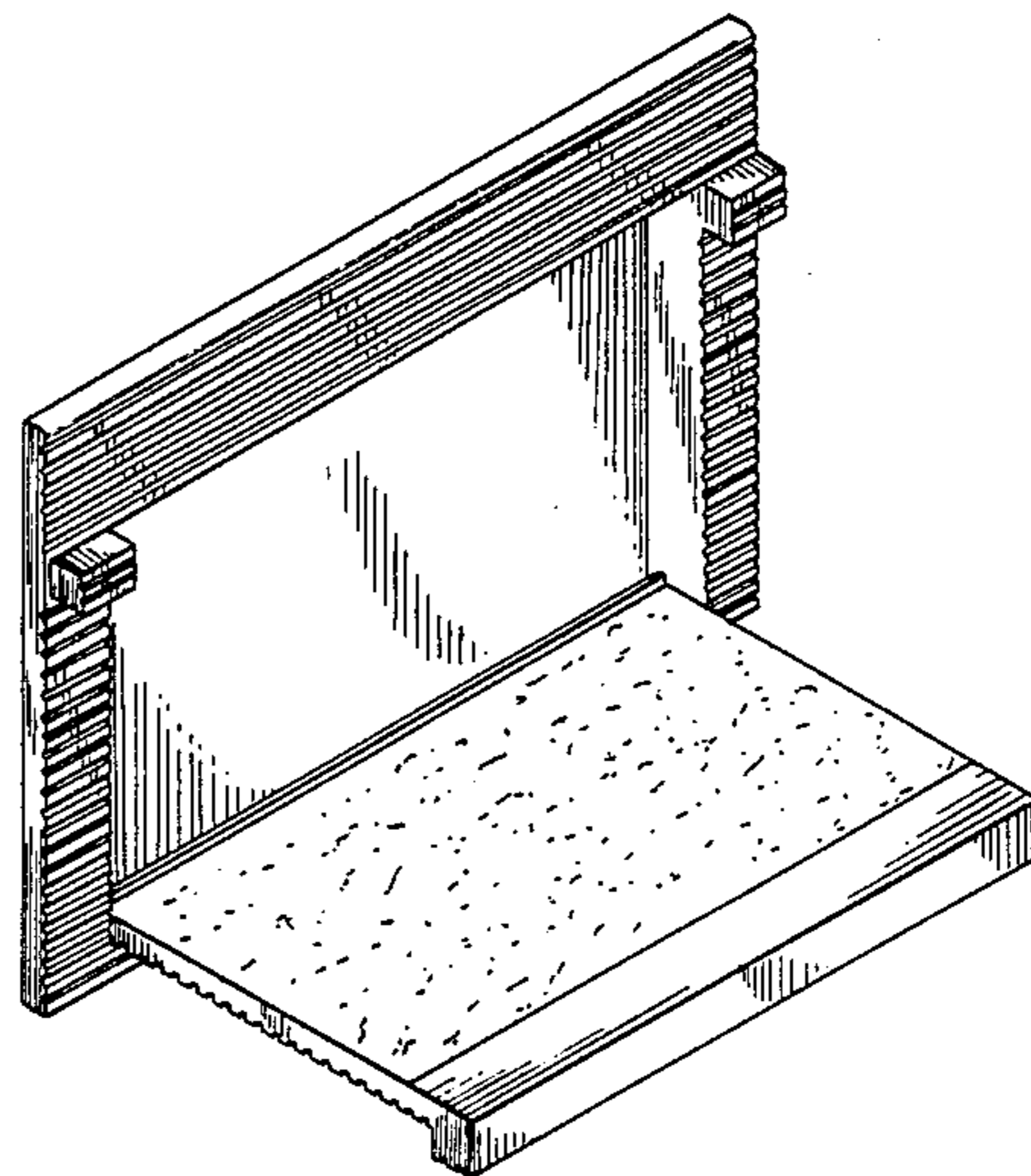
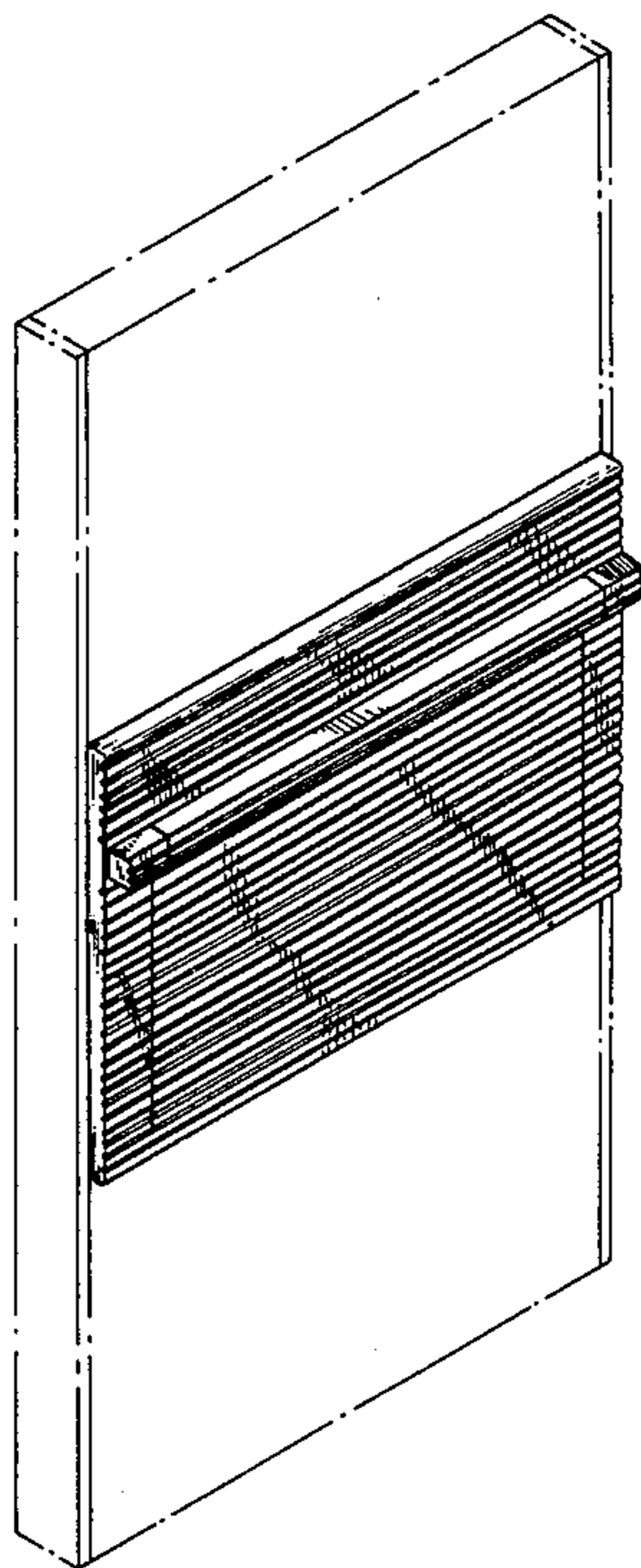
[57] CLAIM

The ornamental design for a combined wall-mounted panel and folding shelf, as shown and described.

DESCRIPTION

FIG. 1 is a perspective view of a combined wall-mounted panel and folding shelf showing my new design, the broken line showing of a wall fragment being for illustrative purposes only and forming no part of the claimed design;

FIG. 2 is an enlarged front elevational view thereof; FIG. 3 is an enlarged left side elevational view thereof, the right side being a mirror image of that shown; FIG. 4 is an enlarged top plan view thereof; FIG. 5 is an enlarged rear elevational view thereof; FIG. 6 is a perspective view thereof, with the shelf shown lowered to an open position; and FIG. 7 is a perspective view of an alternate embodiment thereof, with the shelf shown lowered to an open position, and the only difference residing in the appearance of the shelf top surface.



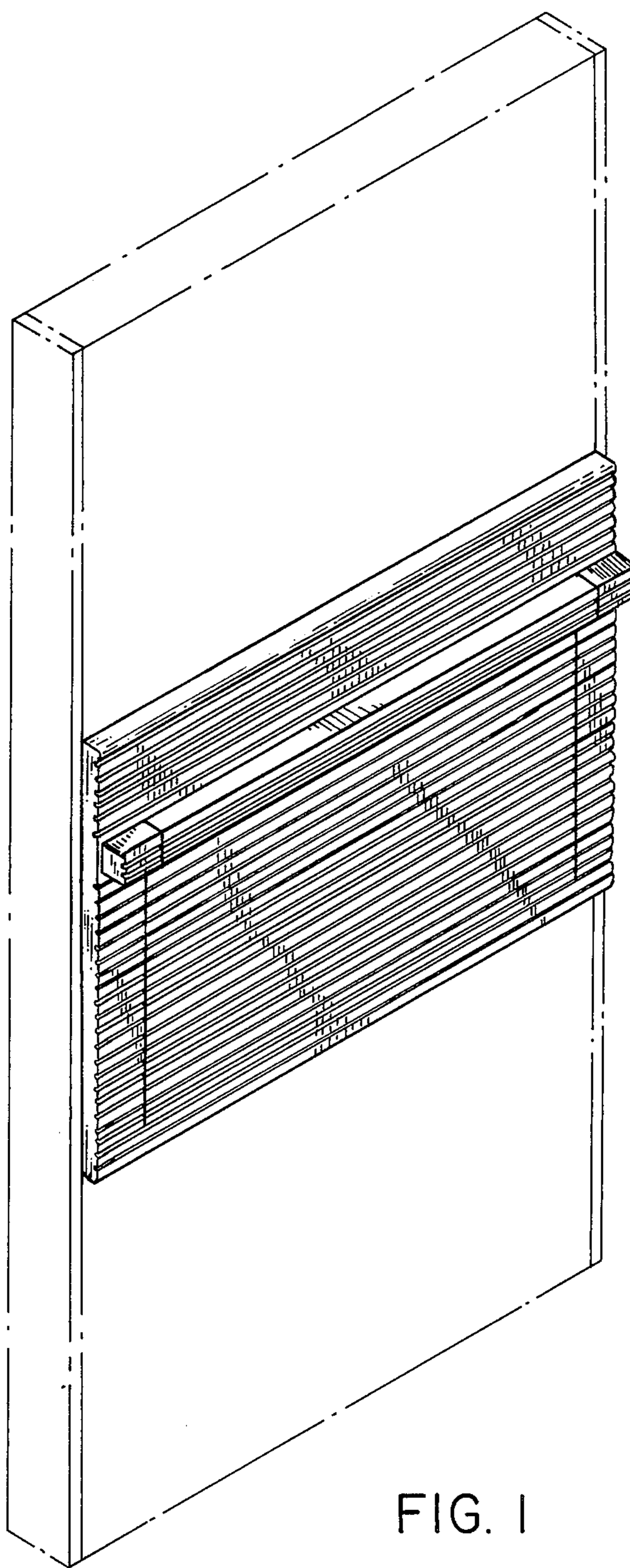


FIG. 1

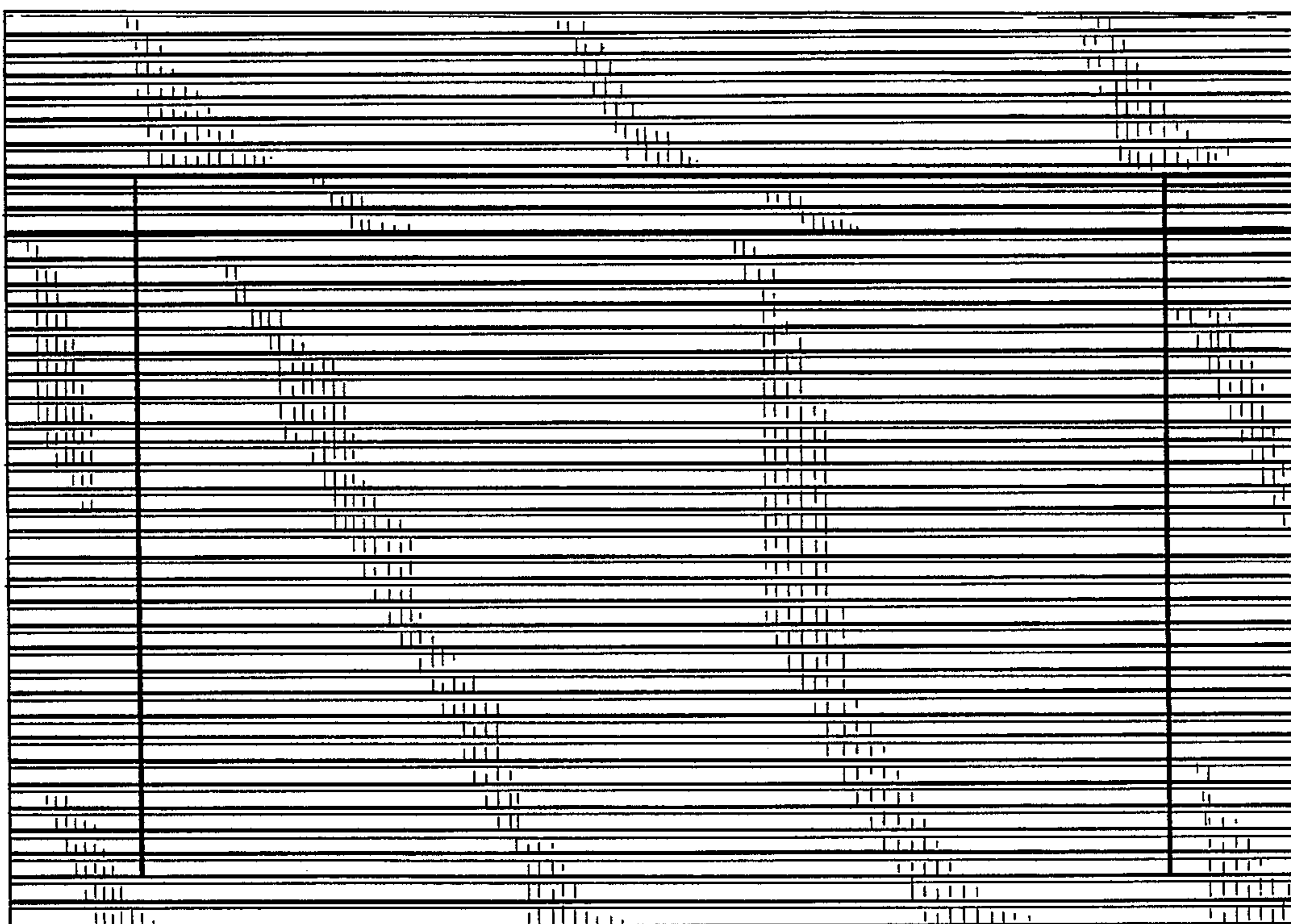


FIG. 2

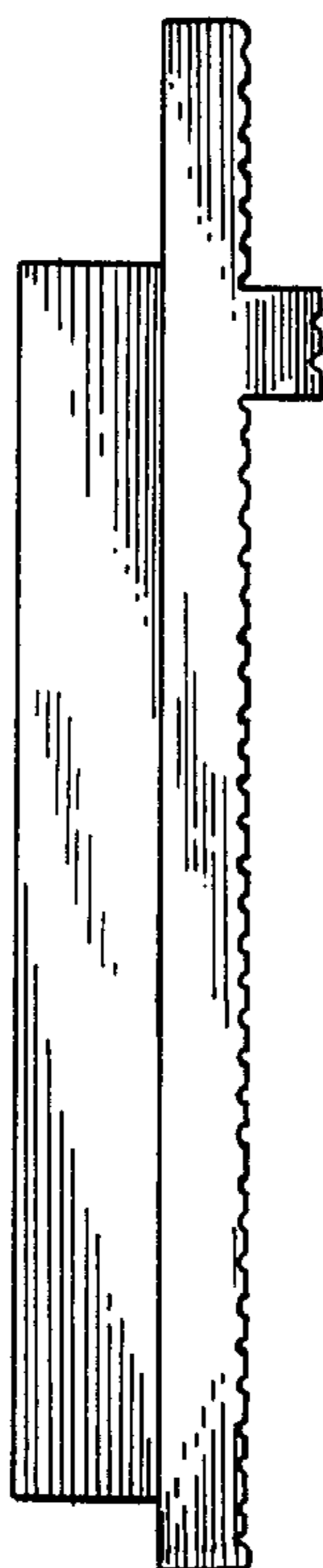


FIG. 3

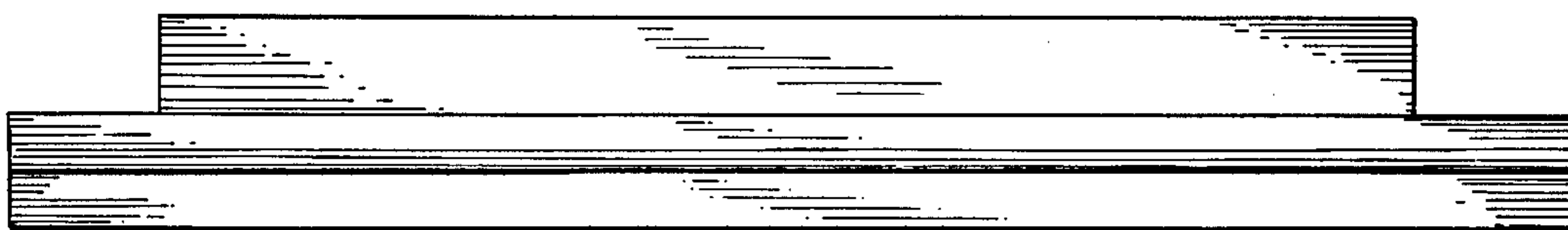


FIG. 4

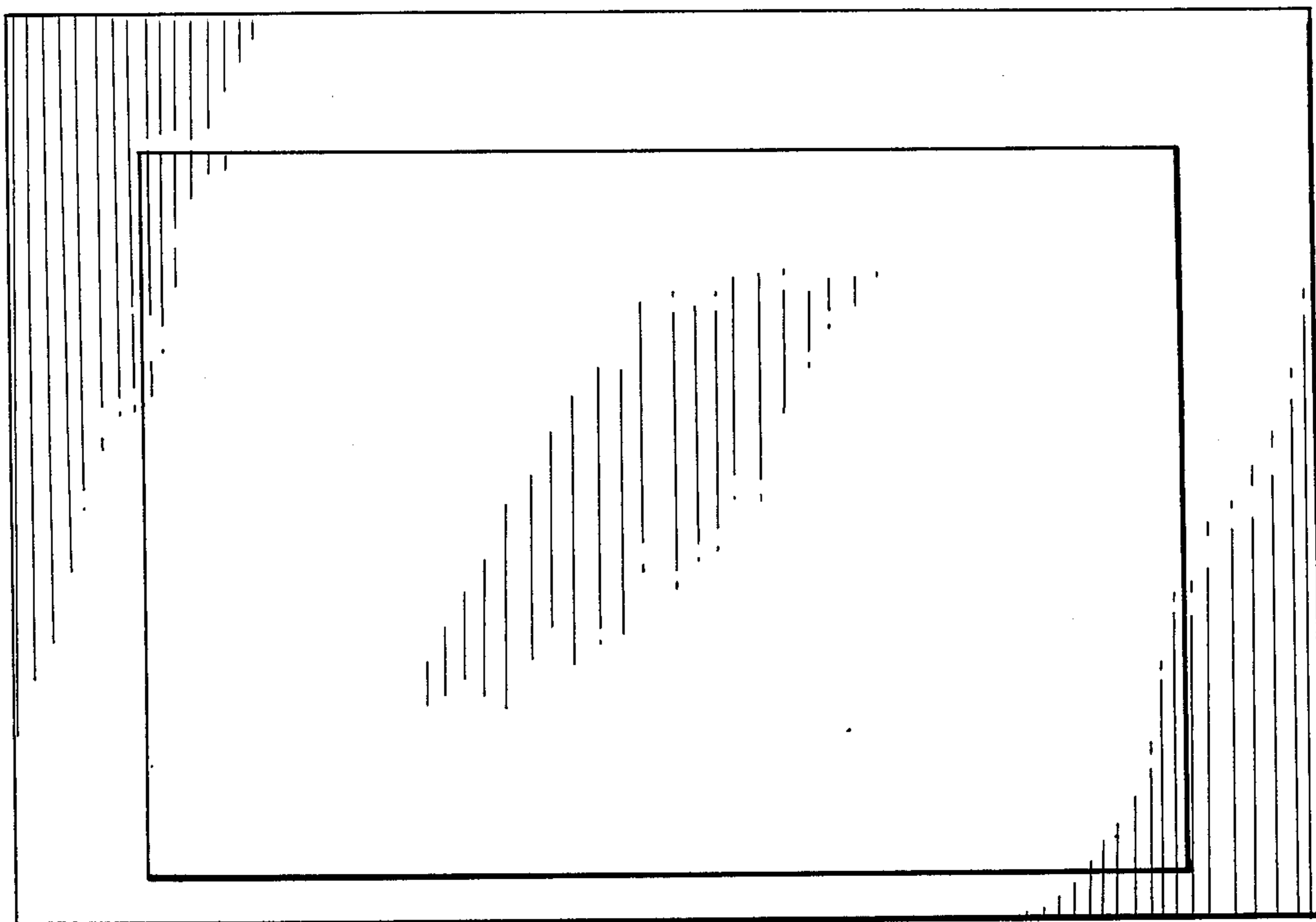


FIG. 5

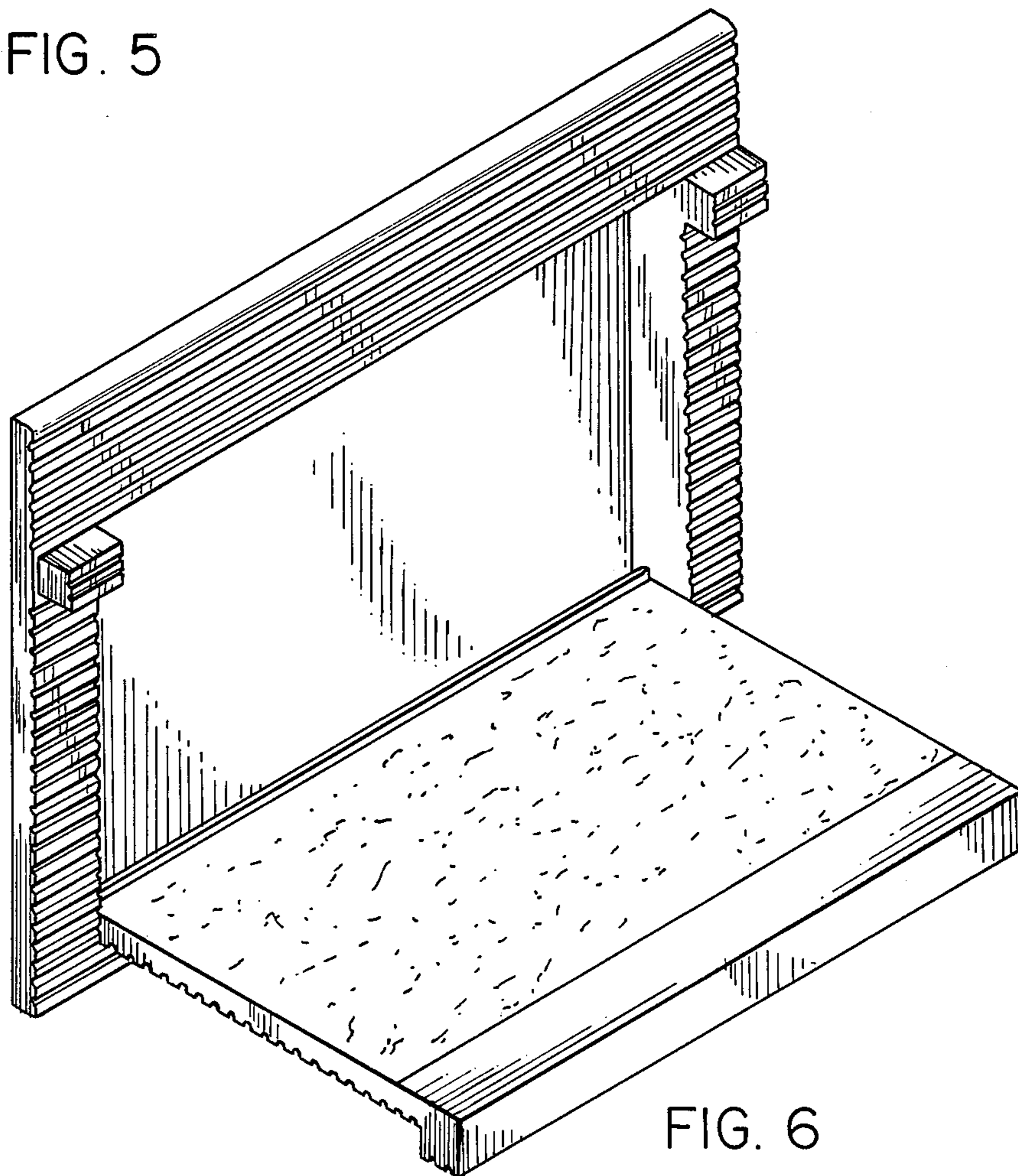


FIG. 6

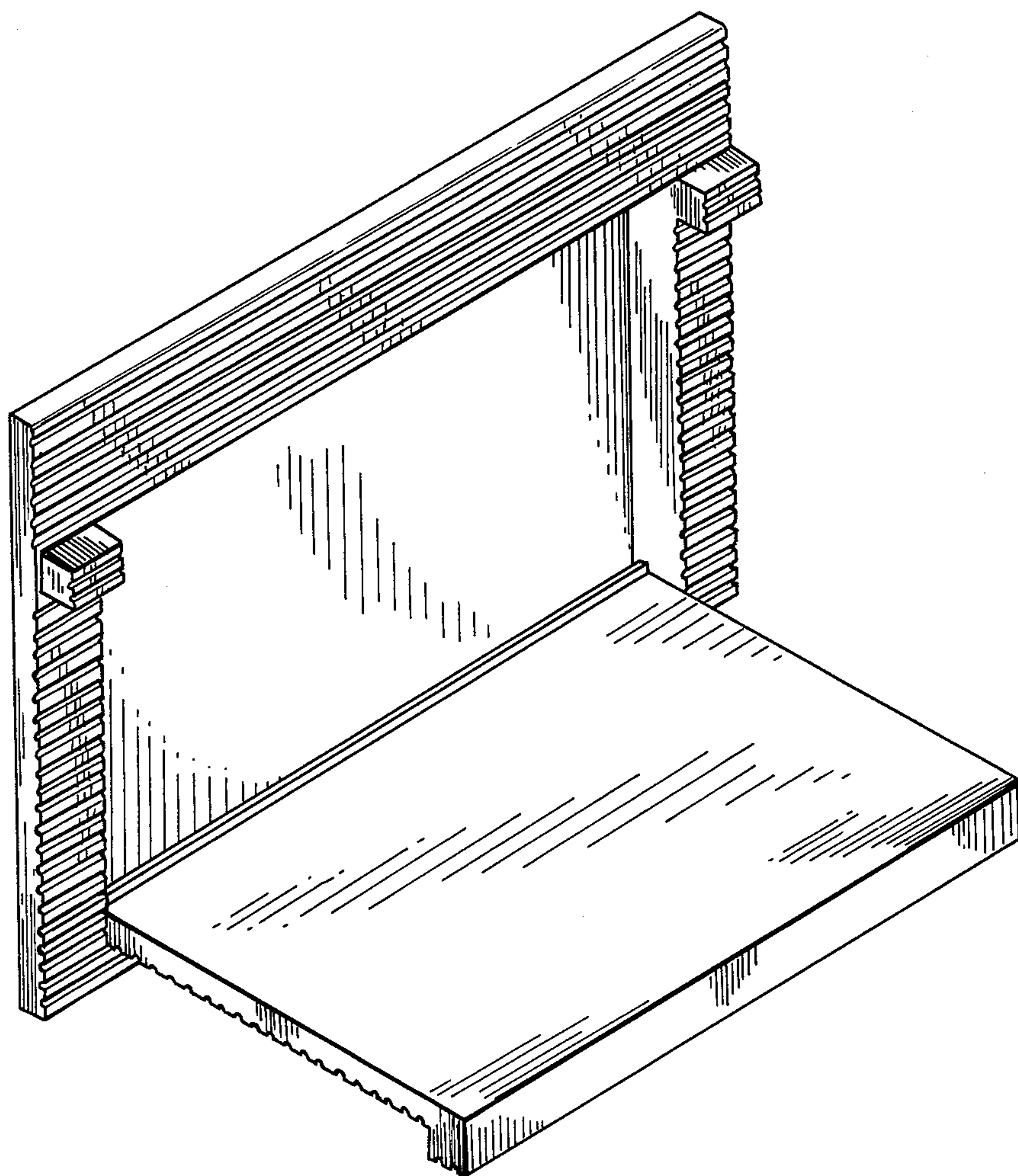


FIG. 7