

[54] FOLDABLE CHAISE LOUNGE
[76] Inventor: Raymond Grosfillex, Arpent, 01107
Oyonnax, France

[**] Term: 14 Years

[21] Appl. No.: 911,654

[22] Filed: Sep. 25, 1986

[30] Foreign Application Priority Data

Mar. 25, 1986 [XH] Hague DM/006683

[52] U.S. Cl. D6/361; D6/368

[58] Field of Search D6/360, 361, 367, 368,
D6/370; 297/445

[56] References Cited

U.S. PATENT DOCUMENTS

- D. 168,342 12/1952 Goldberg D6/361
- D. 279,053 6/1985 Vanderminde D6/361
- D. 285,873 10/1986 Criqui D6/370

- D. 291,390 8/1987 Biscarini D6/361
- D. 294,435 3/1988 Massonnet D6/368
- 3,581,320 6/1971 Degen 5/202

Primary Examiner—Bruce W. Dunkins
Assistant Examiner—A. S. Hunt
Attorney, Agent, or Firm—Nies, Webner, Kurz &
Bergert

[57] CLAIM

The ornamental design for a foldable chaise lounge, as shown and described.

DESCRIPTION

FIG. 1 is a perspective view of a foldable chaise lounge, showing my design;
FIG. 2 is an end perspective view;
FIG. 3 is a perspective view showing the end not disclosed in FIG. 2; and,
FIG. 4 is a side perspective view, the opposite side being a mirror image thereof.

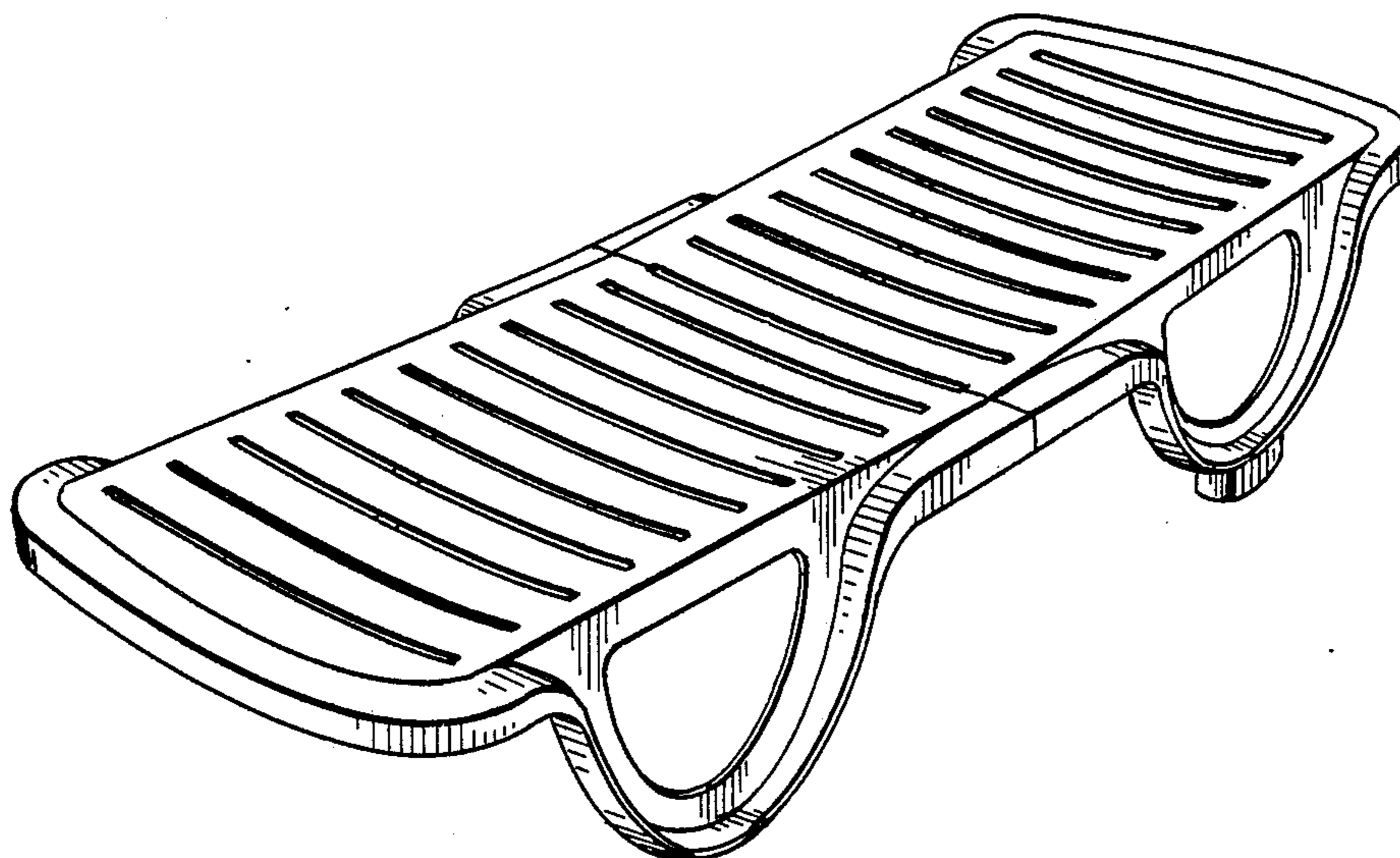


Fig. 1

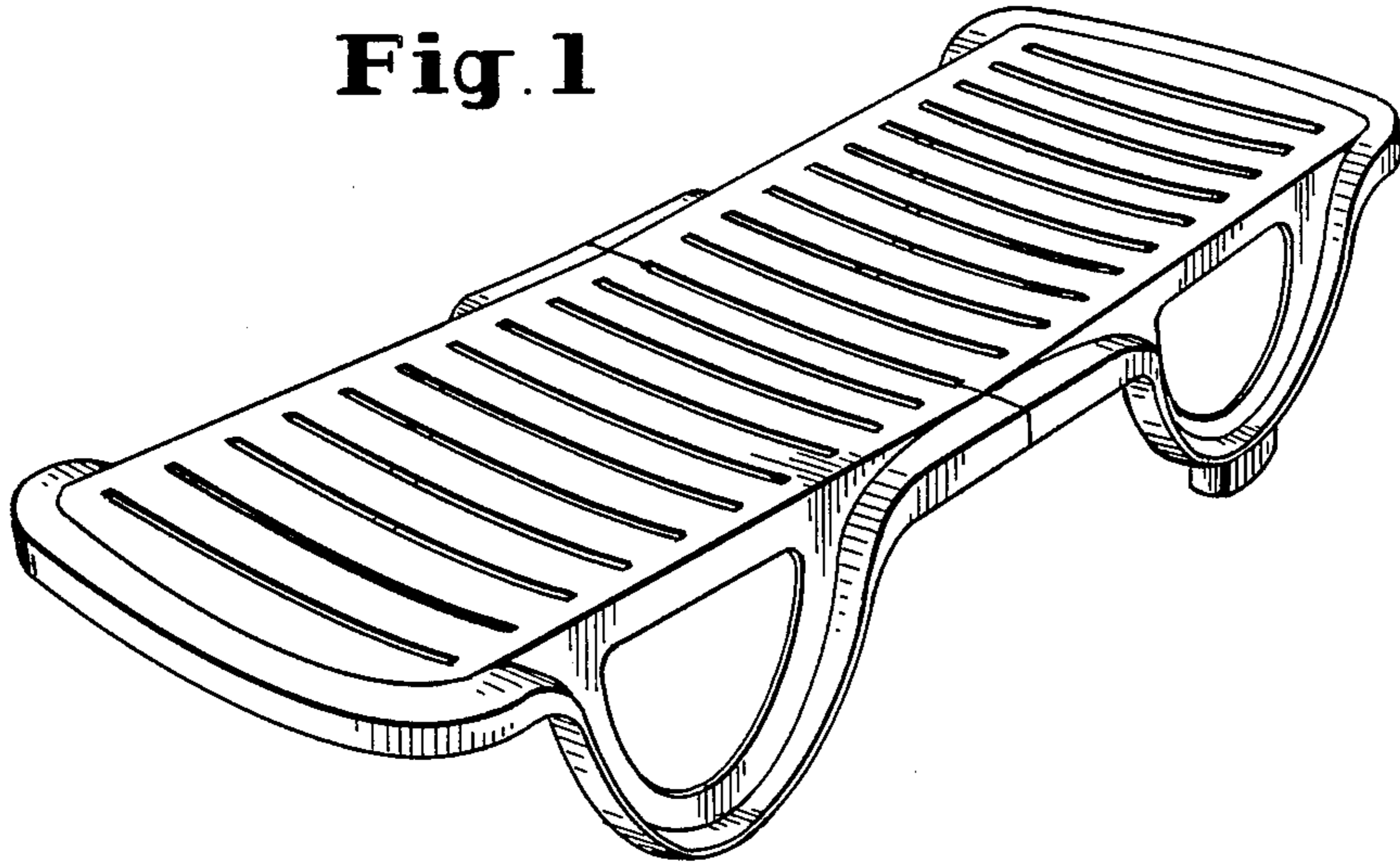


Fig. 2

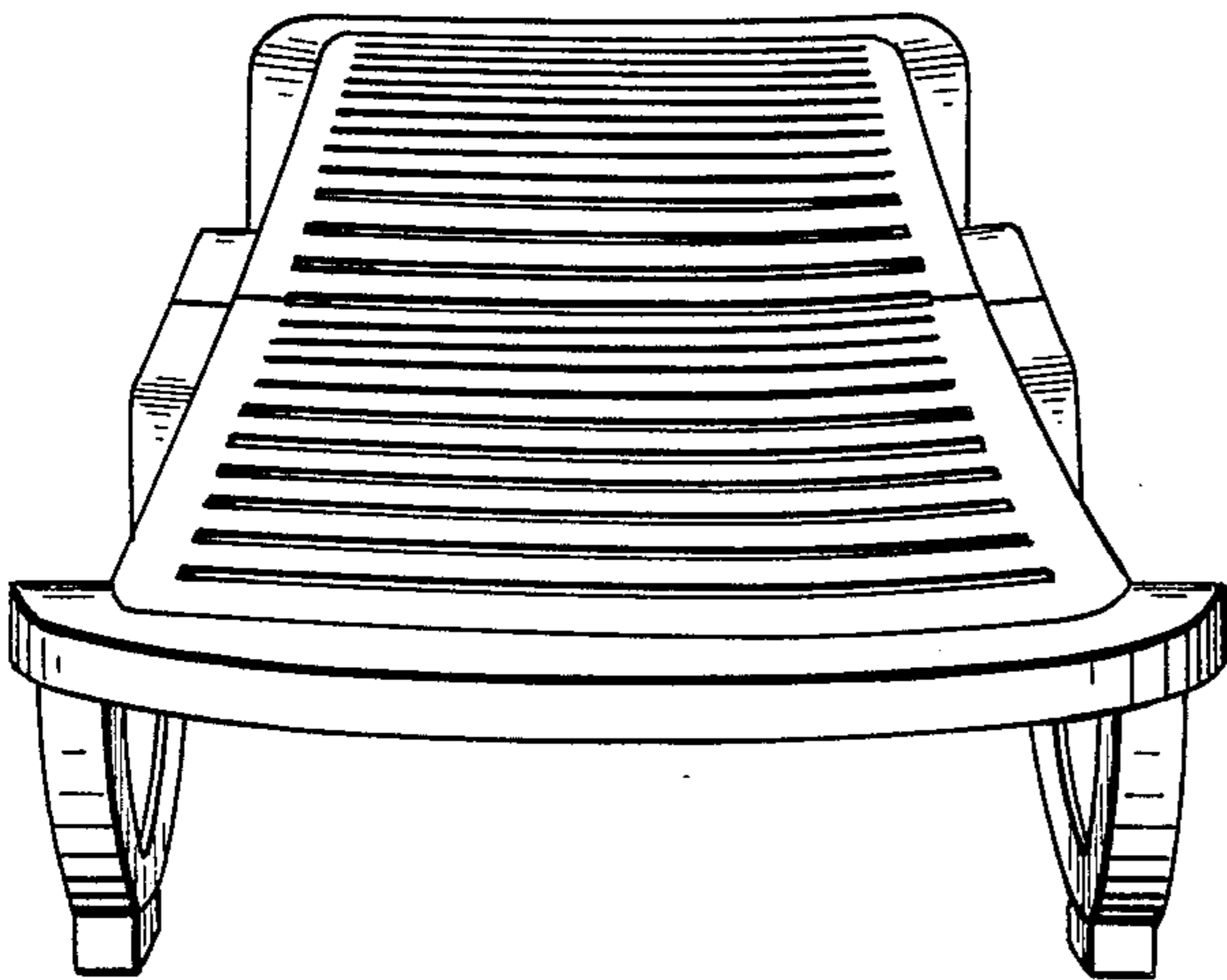


Fig. 3

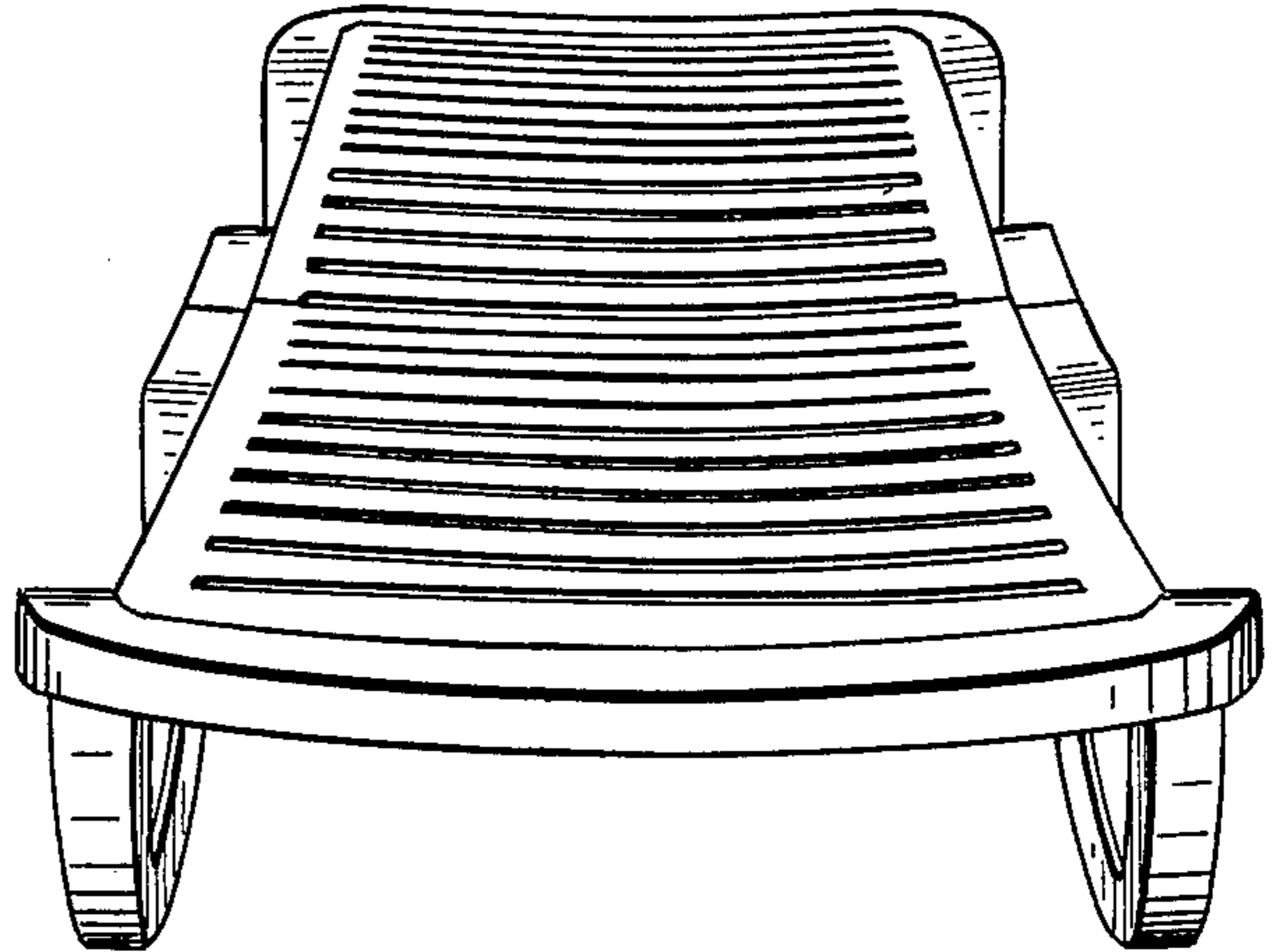


Fig. 4

