

[54] GARMENT PROTECTOR

[76] Inventor: Nora A. Duke, 5942 Kitchel Rd., Richmond, Ind. 47374

[**] Term: 14 Years

[21] Appl. No.: 871,619

[22] Filed: Jun. 5, 1986

[52] U.S. Cl. D2/225

[58] Field of Search D2/225, 267, 271; 2/46, 2/DIG. 6; 36/1.5, 2 R, 70 R, 70 A, 71.5, 72 R; 128/DIG. 15, 165

[56] References Cited

U.S. PATENT DOCUMENTS

- 155,968 10/1874 Owens 36/2 R X
- 648,845 5/1900 Callery et al. 36/2 R
- 3,592,189 7/1971 Bergen 128/DIG. 15 X

OTHER PUBLICATIONS

Mine Safety Appliances Co., catalog 5B, 1939, p. 94, Spring Leggings.

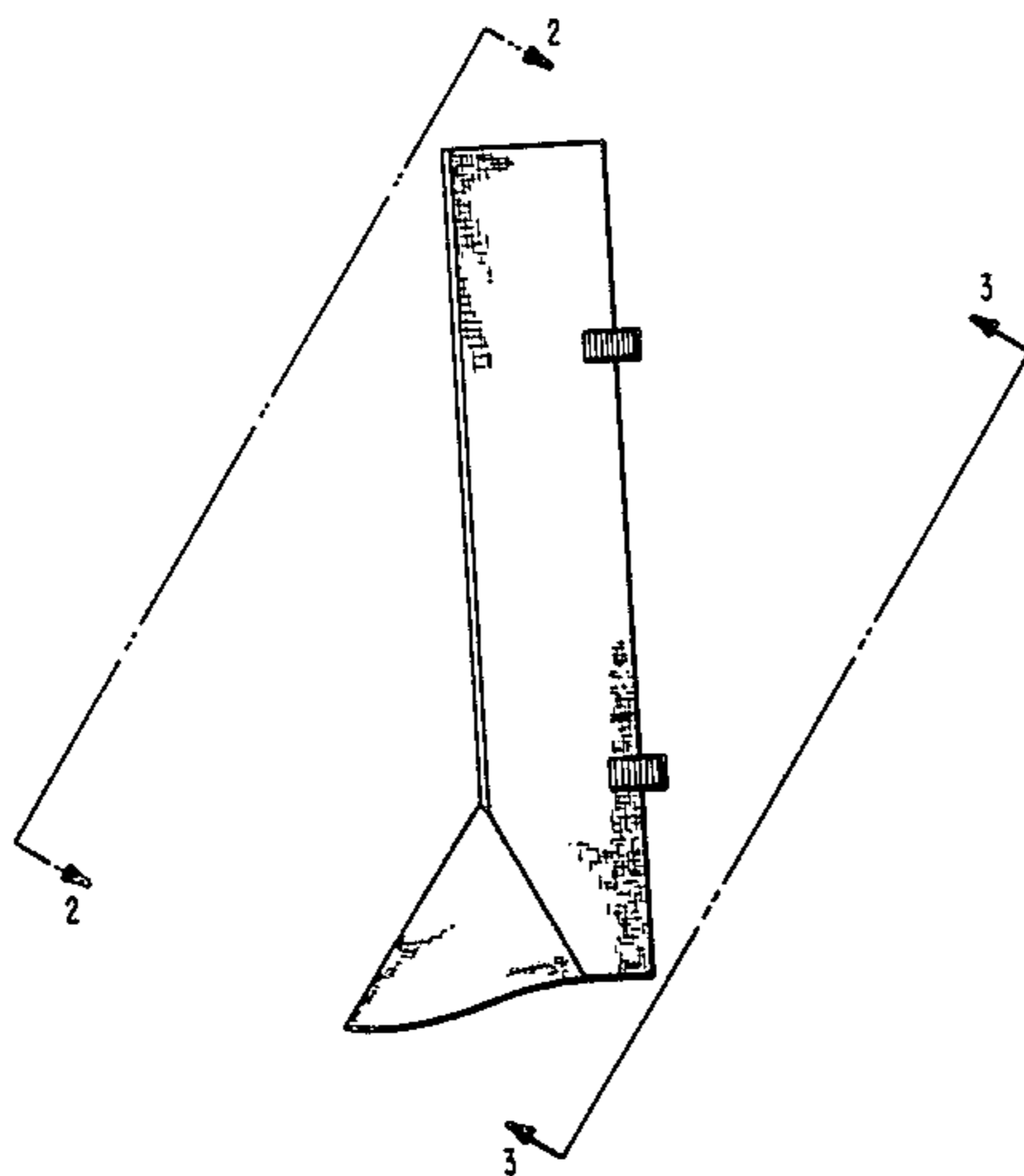
Primary Examiner—Bernard Ansher
Assistant Examiner—Terry A. Pfeffer
Attorney, Agent, or Firm—Woodard, Emhardt, Naughton, Moriarty & McNett

[57] CLAIM

The ornamental design for a garment protector, as shown and described.

DESCRIPTION

FIG. 1 is a right side elevational view of a garment protector showing my new design.
 FIG. 2 is a frontal view as seen looking in the direction of arrows 2—2 of FIG. 1.
 FIG. 3 is a rear view as seen looking in the direction of arrows 3—3 in FIG. 1.
 FIG. 4 is a front elevational view thereof in a flattened position.
 FIG. 5 is a right side elevational view thereof.
 FIG. 6 is a rear elevational view thereof.
 FIG. 7 is a top plan view thereof.
 FIG. 8 is a bottom plan view thereof.



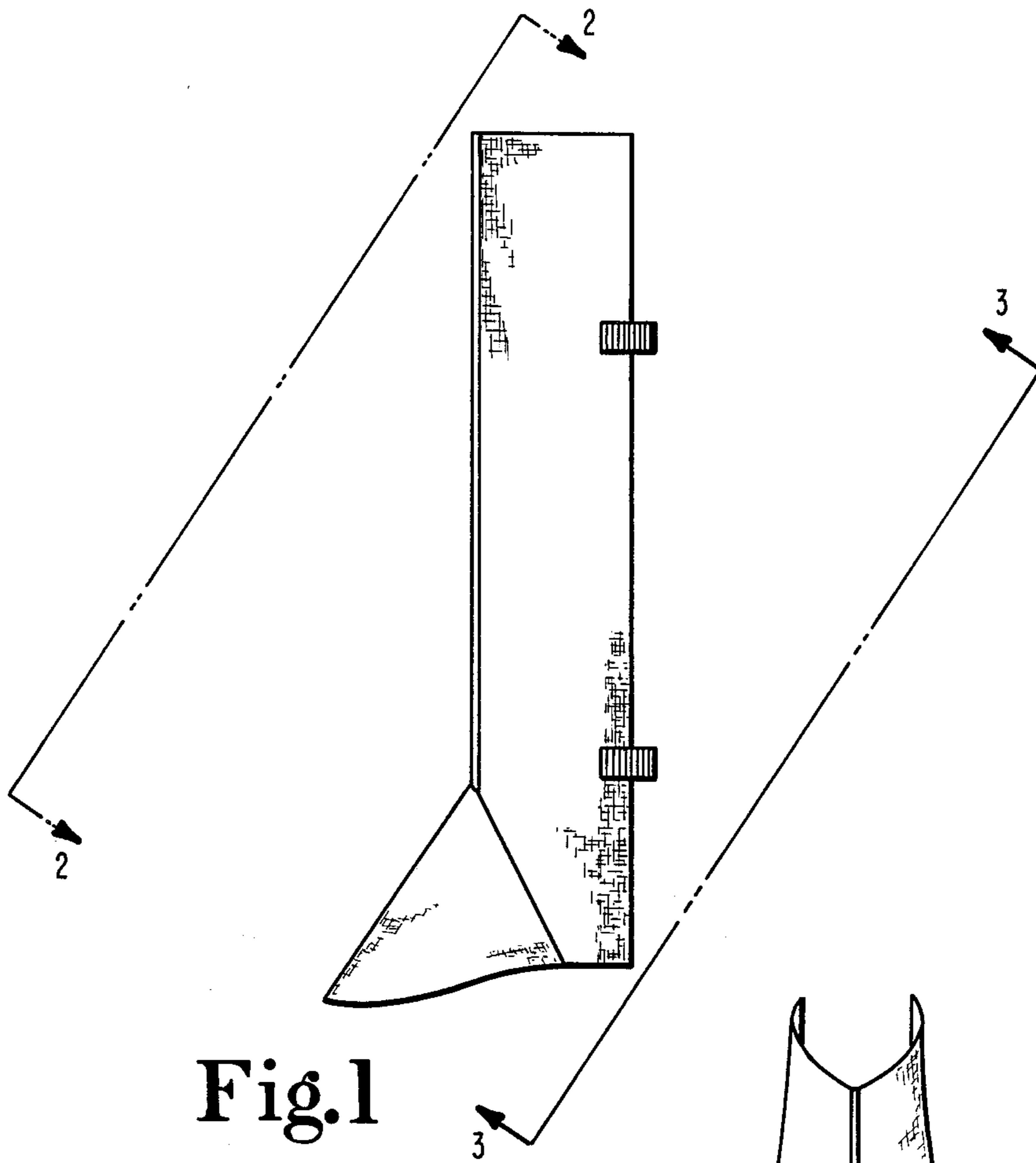


Fig. 1

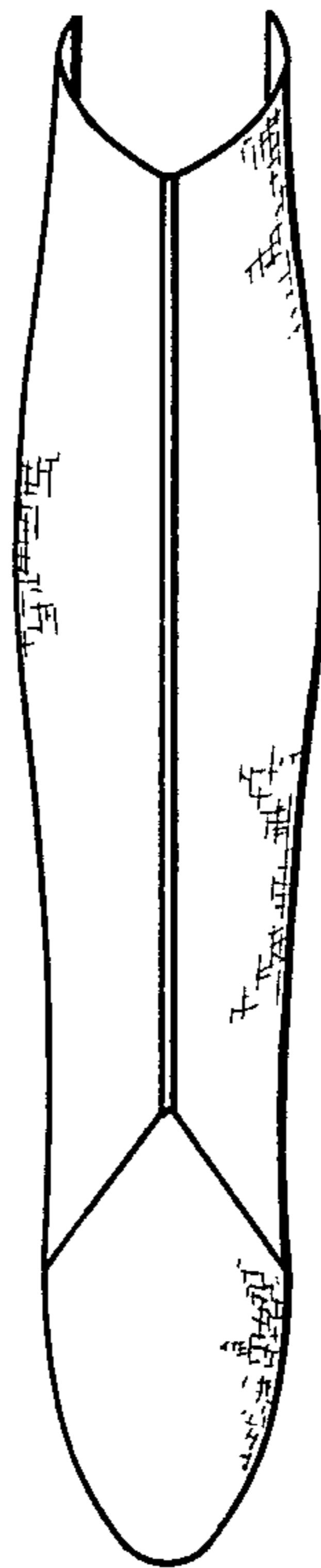


Fig. 2

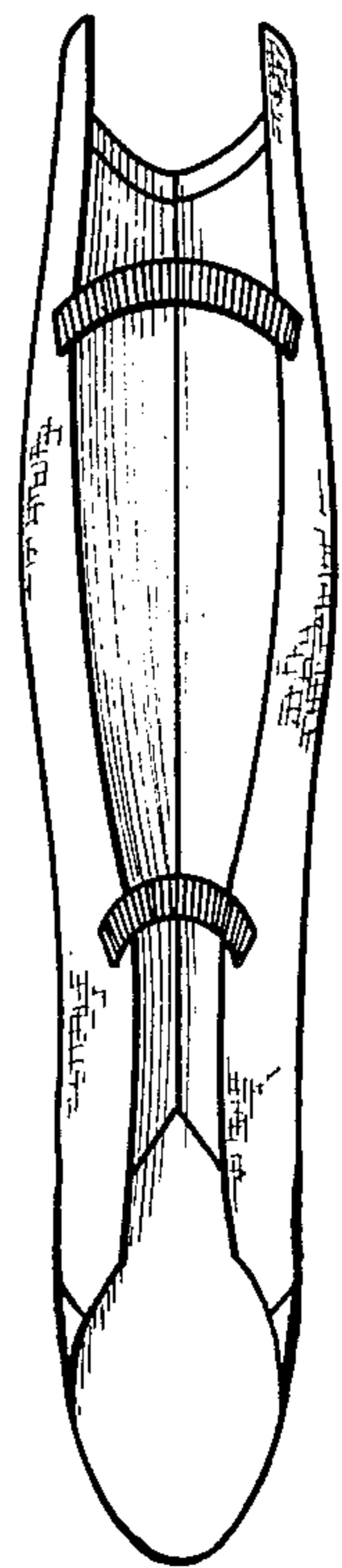


Fig. 3

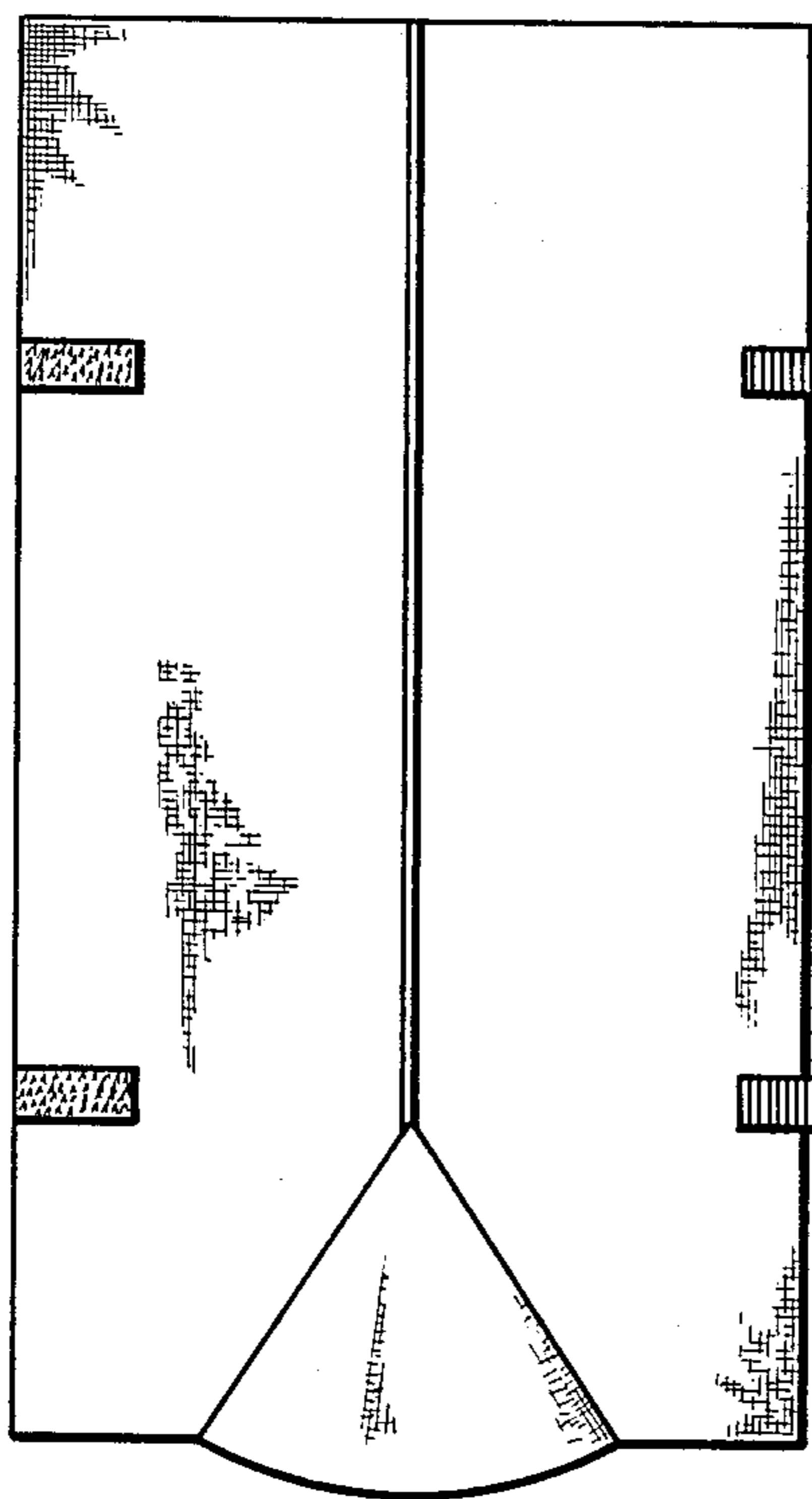


Fig. 4

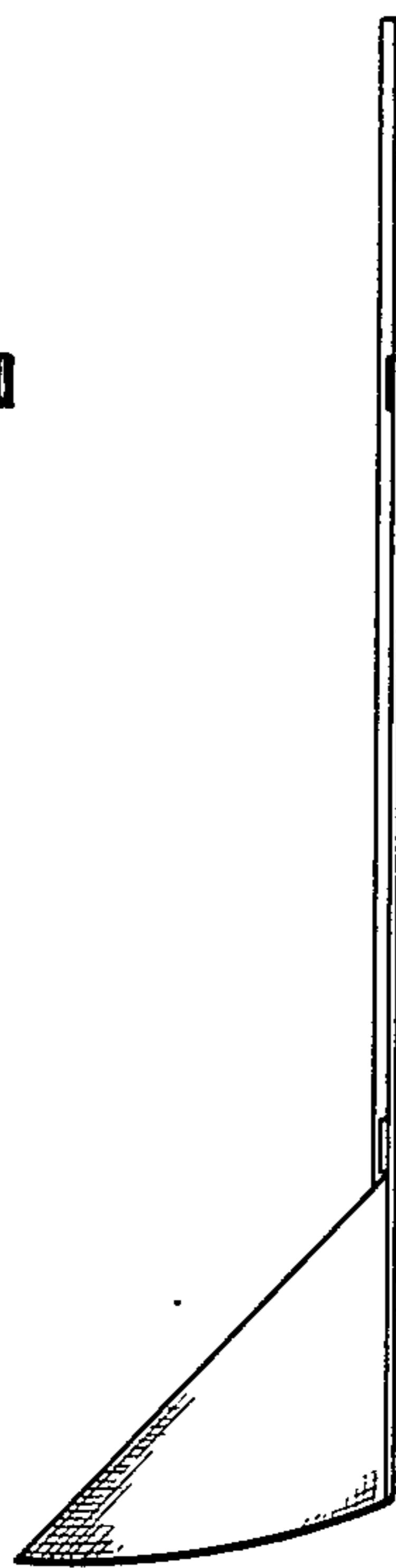


Fig. 5

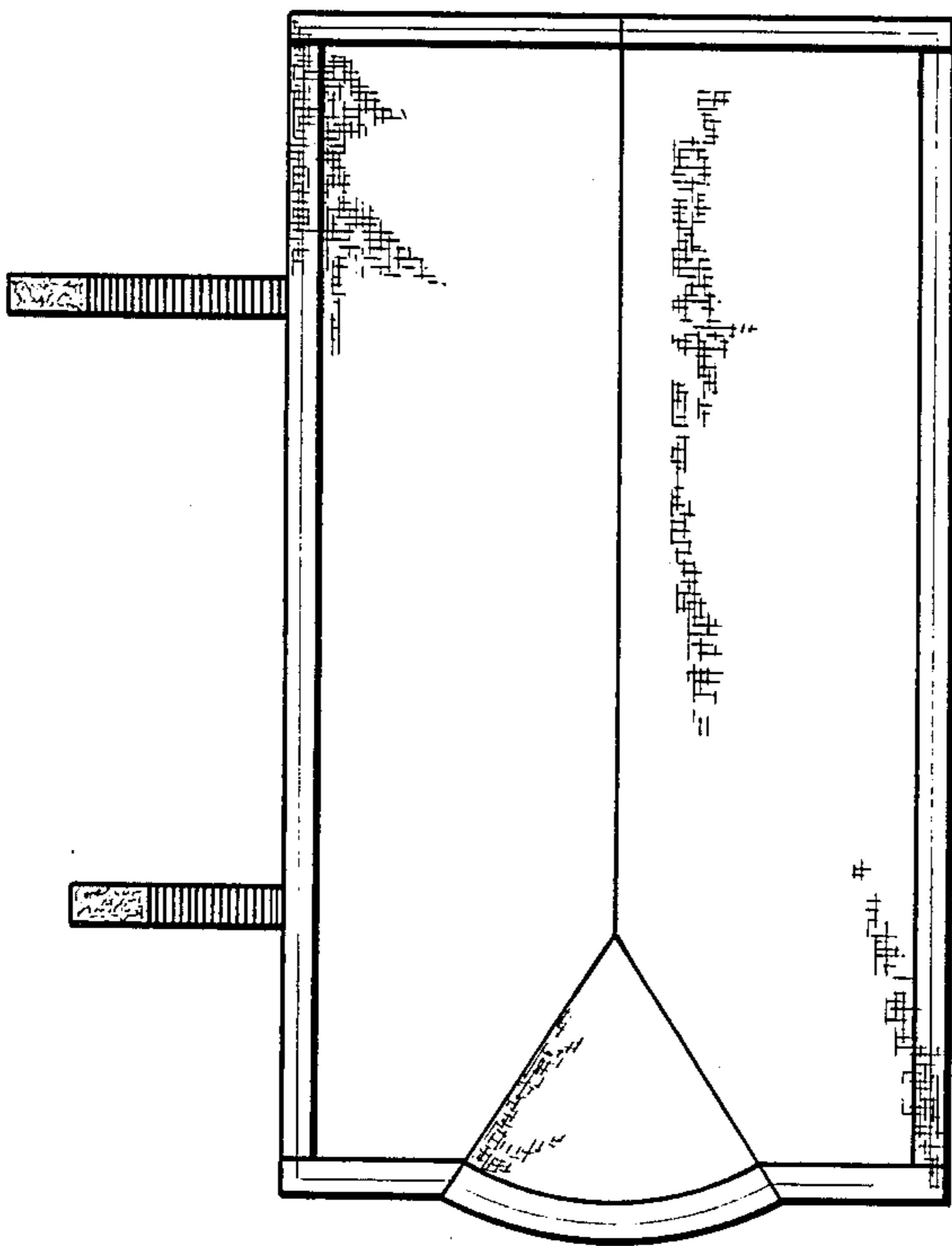


Fig. 6

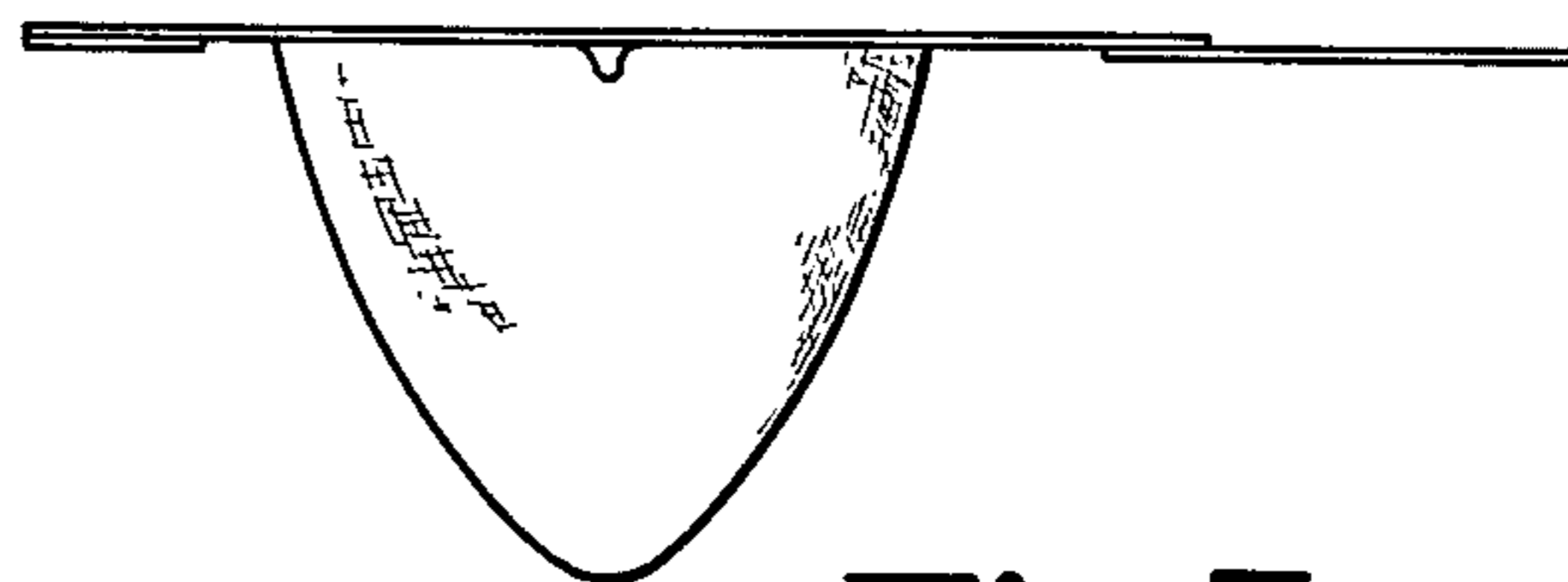


Fig. 7

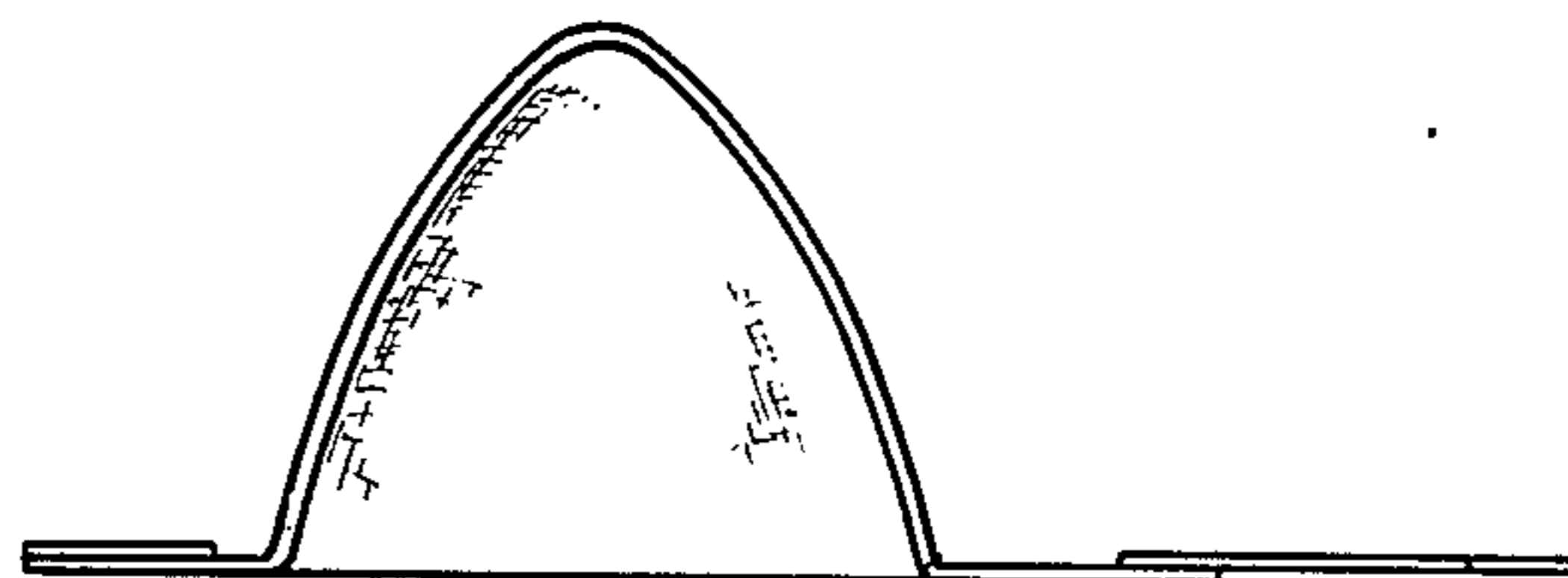


Fig. 8