

[54] HANDHELD VACUUM CLEANER

D. 291,376	8/1987	Hetherington	D32/18
2,974,346	3/1961	Hahn	15/344
3,872,539	3/1975	Doyel	15/344

[76] Inventor: Brunhilde Lauer, Koppelgasse 5, 3573 Gemuenden, Fed. Rep. of Germany

Primary Examiner—Bruce W. Dunkins
Assistant Examiner—Ruth Takemoto
Attorney, Agent, or Firm—Harry M. Weiss

[**] Term: 14 Years

[57] CLAIM

[21] Appl. No.: 138,029

The ornamental design for a handheld vacuum cleaner, as shown.

[22] Filed: Dec. 28, 1987

[52] U.S. Cl. D32/18

[58] Field of Search D32/17, 18, 21, 22;
15/329, 344, 350, 351

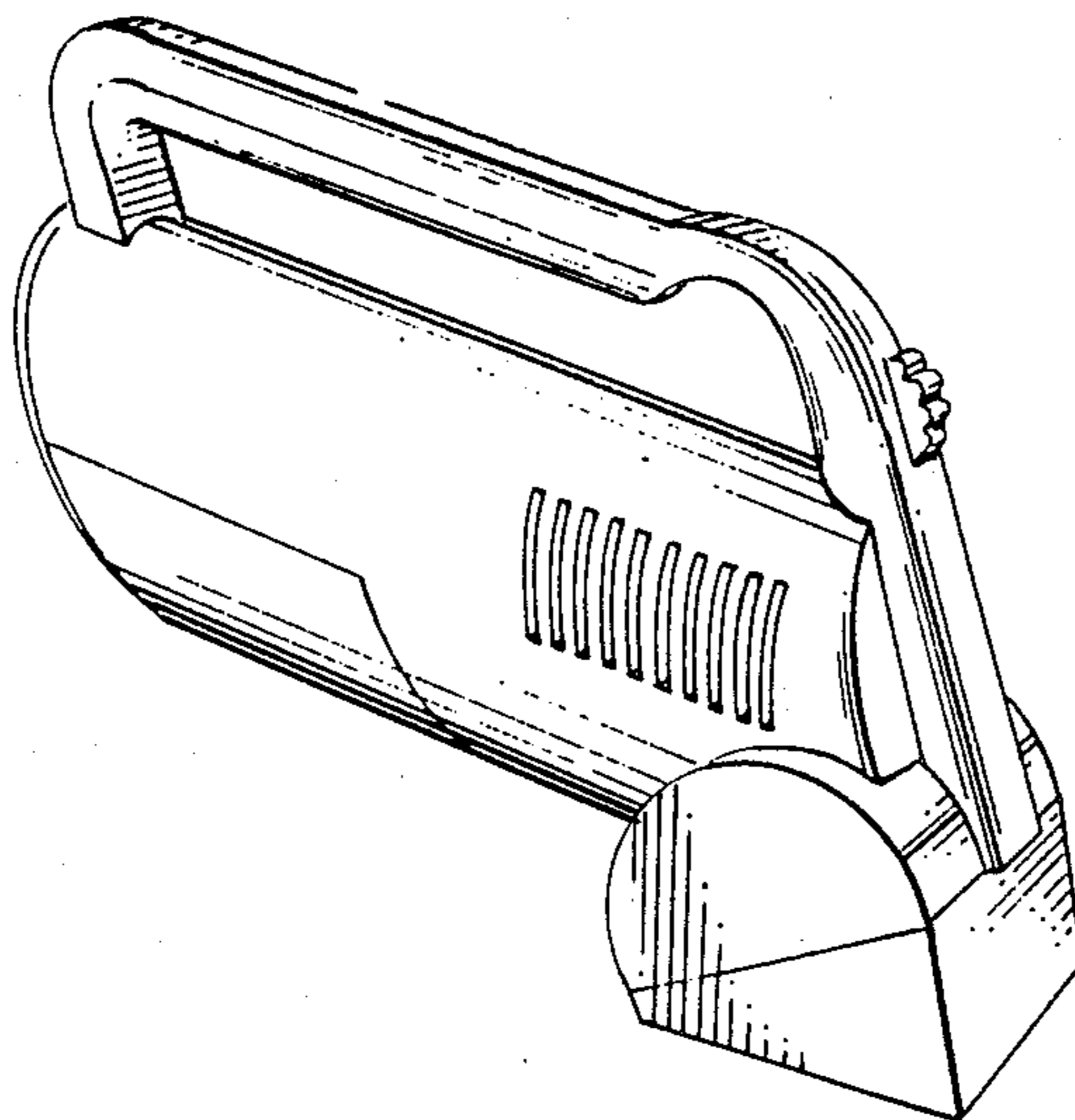
DESCRIPTION

[56] References Cited

U.S. PATENT DOCUMENTS

D. 274,150 6/1984 Hoesch D32/18

FIG. 1 is a side perspective view of a handheld vacuum cleaner showing my new design;
FIG. 2 is a side elevational view thereof;
FIG. 3 is a bottom plan view thereof;
FIG. 4 is a rear elevational view thereof; and
FIG. 5 is a front elevational view thereof.



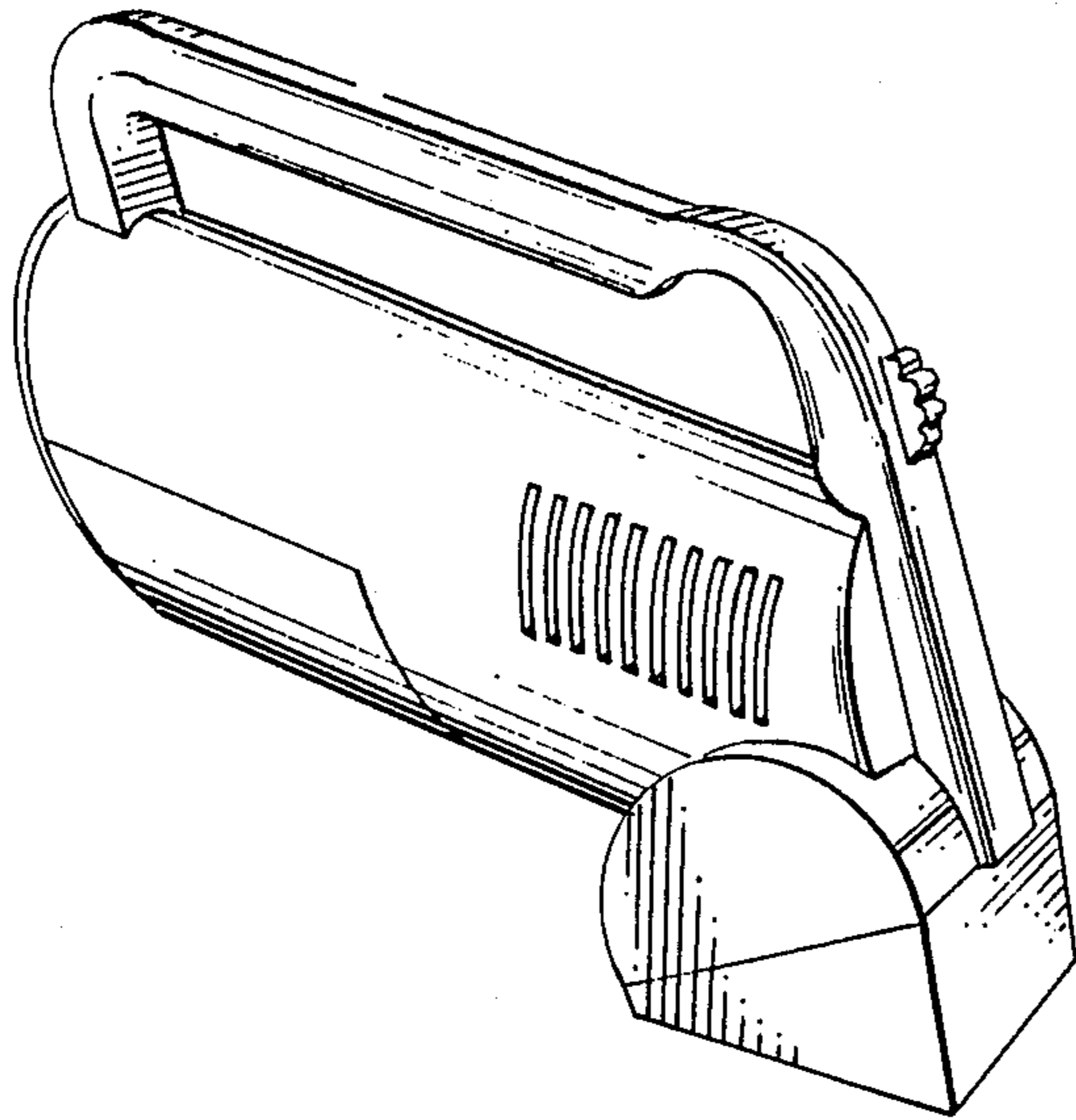


fig. 1

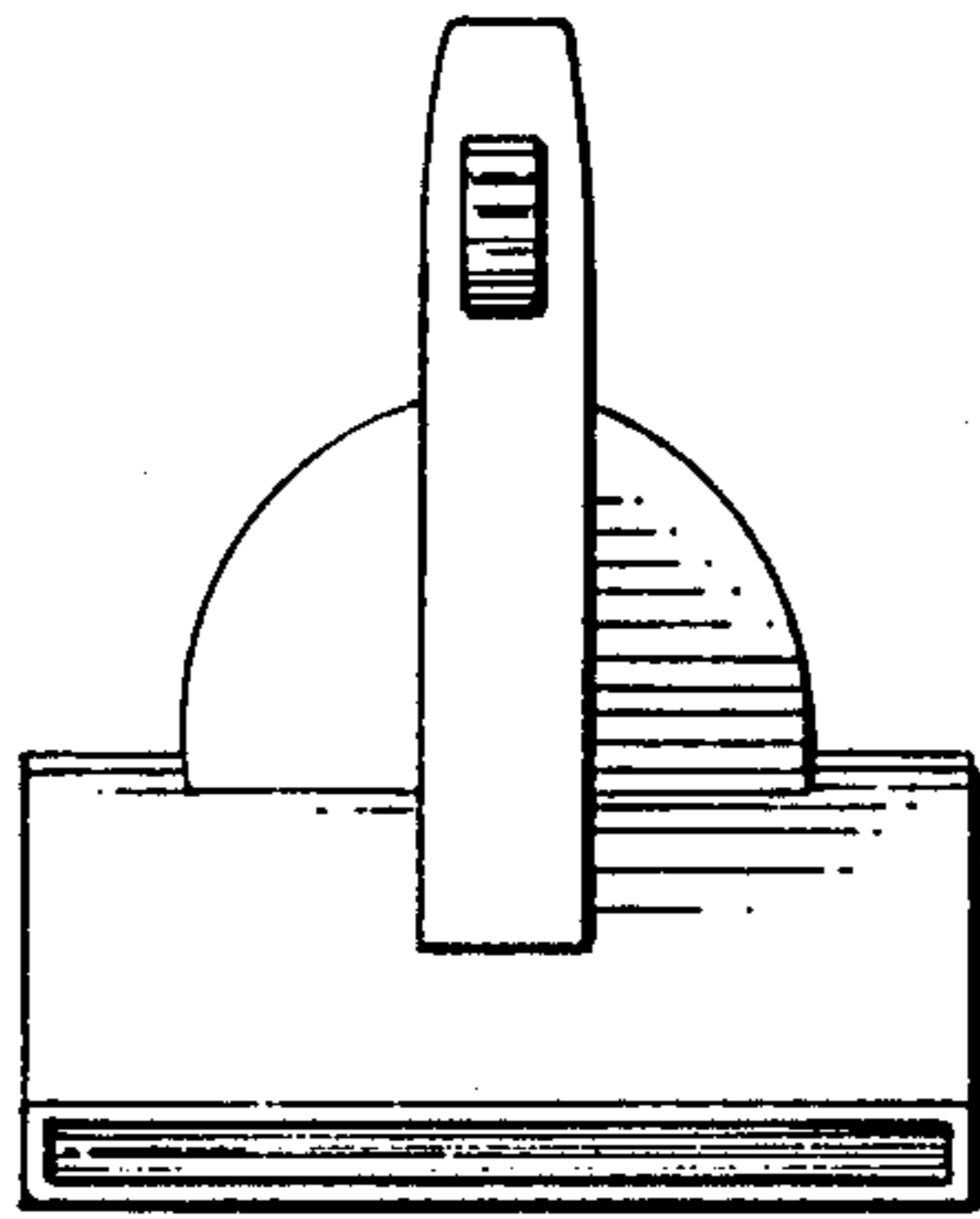


fig. 4

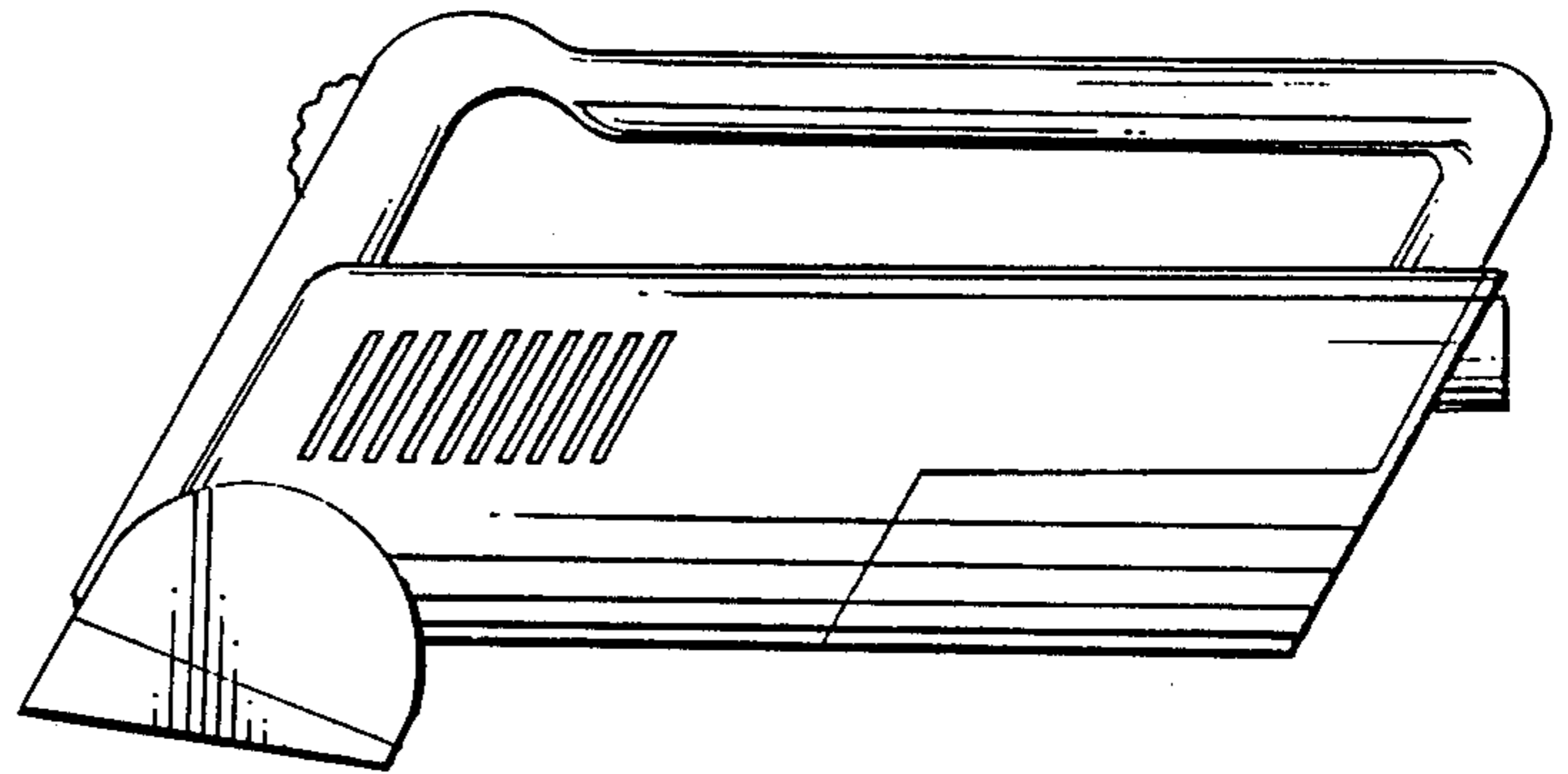


fig. 2

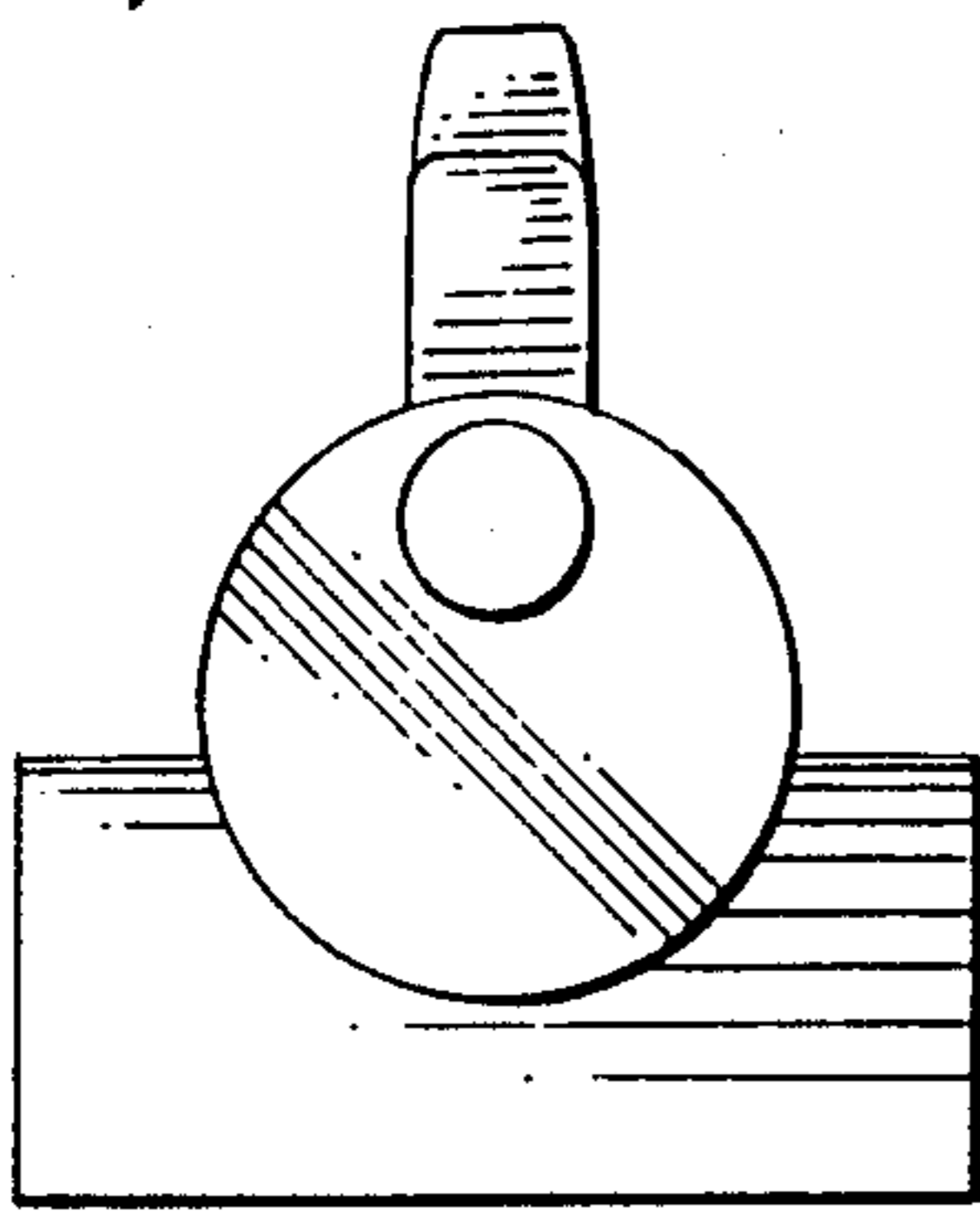


fig. 5

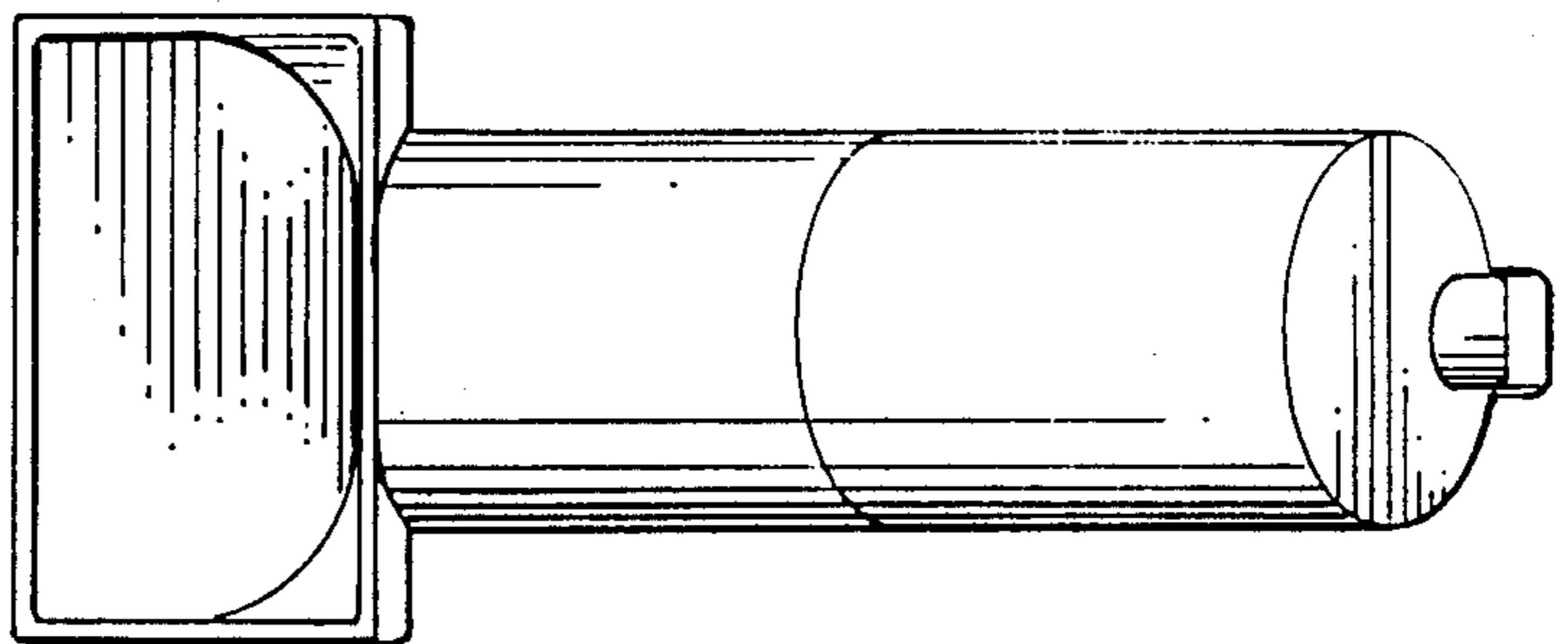


fig. 3