

[54] PORTABLE VACUUM CLEANER

[75] Inventor: Shigehiro Uemura, Kyoto, Japan

[73] Assignee: Sanyo Electric Co., Ltd., Moriguchi, Japan

[**] Term: 14 Years

[21] Appl. No.: 940,074

[22] Filed: Dec. 10, 1986

[30] Foreign Application Priority Data

Jun. 30, 1986 [JP] Japan 61-25420

[52] U.S. Cl. D32/18

[58] Field of Search D32/17-18, D32/21-22; 15/329, 344, 350-351

[56] References Cited

U.S. PATENT DOCUMENTS

D. 278,278 4/1985 McCloskey D32/18

D. 293,949 1/1988 Arita D32/18
D. 294,412 2/1988 Sadashima et al. D32/18
D. 295,566 5/1988 Hetherington et al. D32/21

Primary Examiner—Bruce W. Dunkins
Assistant Examiner—Ruth Takemoto
Attorney, Agent, or Firm—Darby & Darby

[57] CLAIM

The ornamental design for a portable vacuum cleaner, as shown and described.

DESCRIPTION

FIG. 1 is a perspective view of a portable vacuum cleaner showing my new design; FIG. 2 is a right side elevational view thereof; FIG. 3 is a left side elevational view thereof; FIG. 4 is a top plan view thereof; FIG. 5 is a bottom plan view thereof; FIG. 6 is a front elevational view thereof; and FIG. 7 is a rear elevational view thereof.

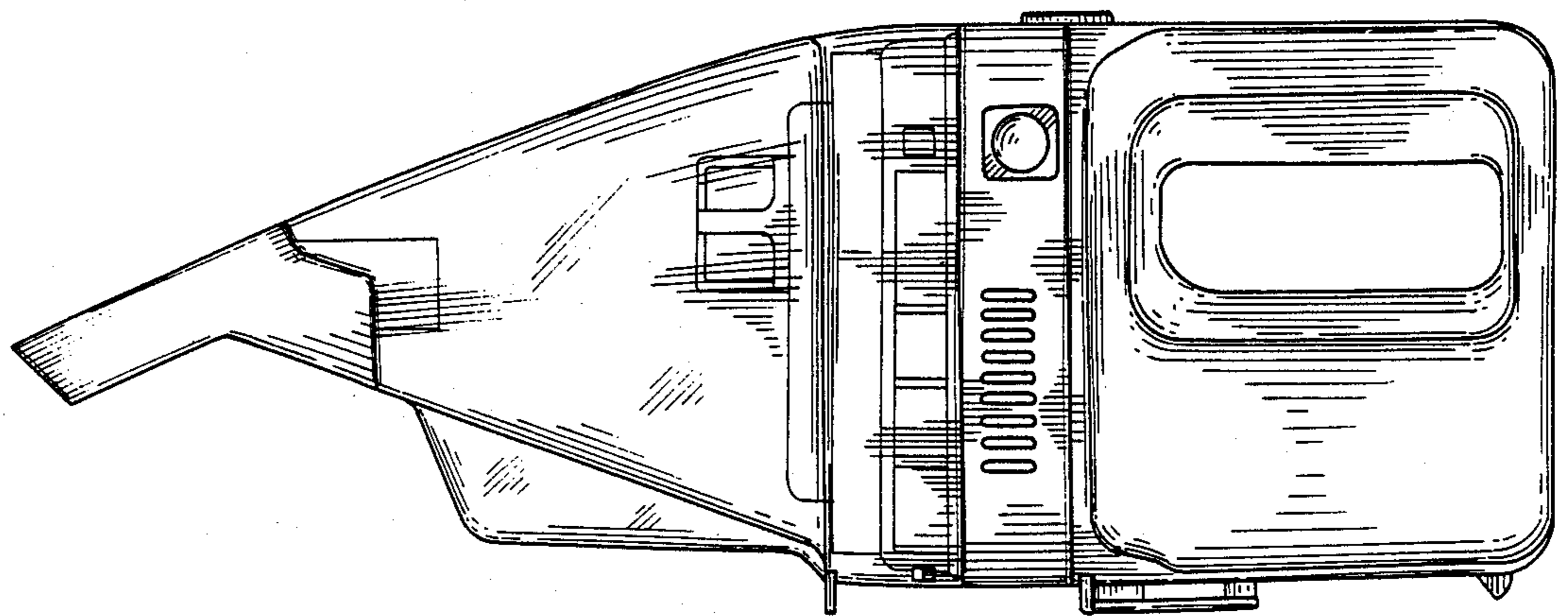
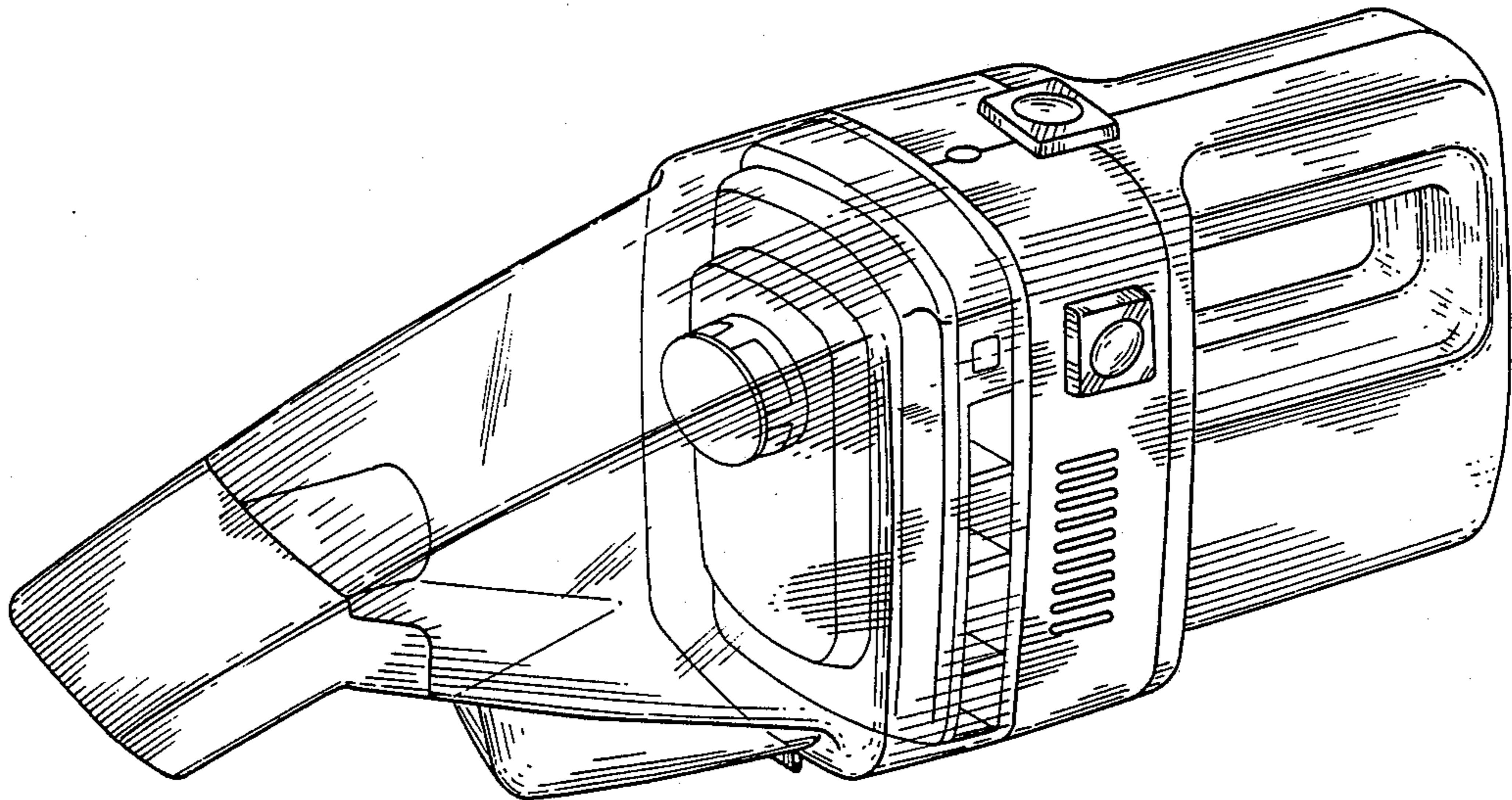


FIG. 1

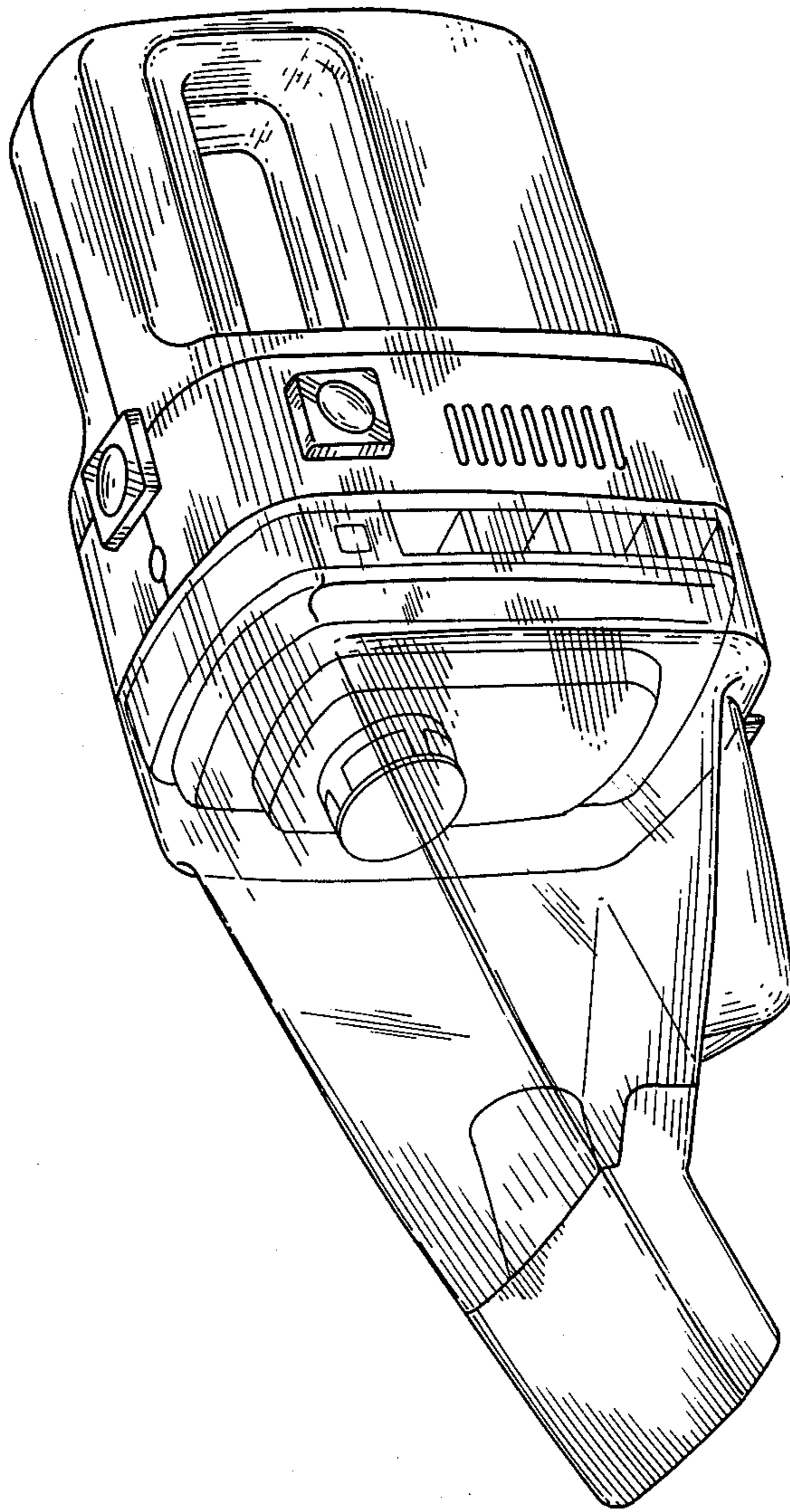


FIG. 2

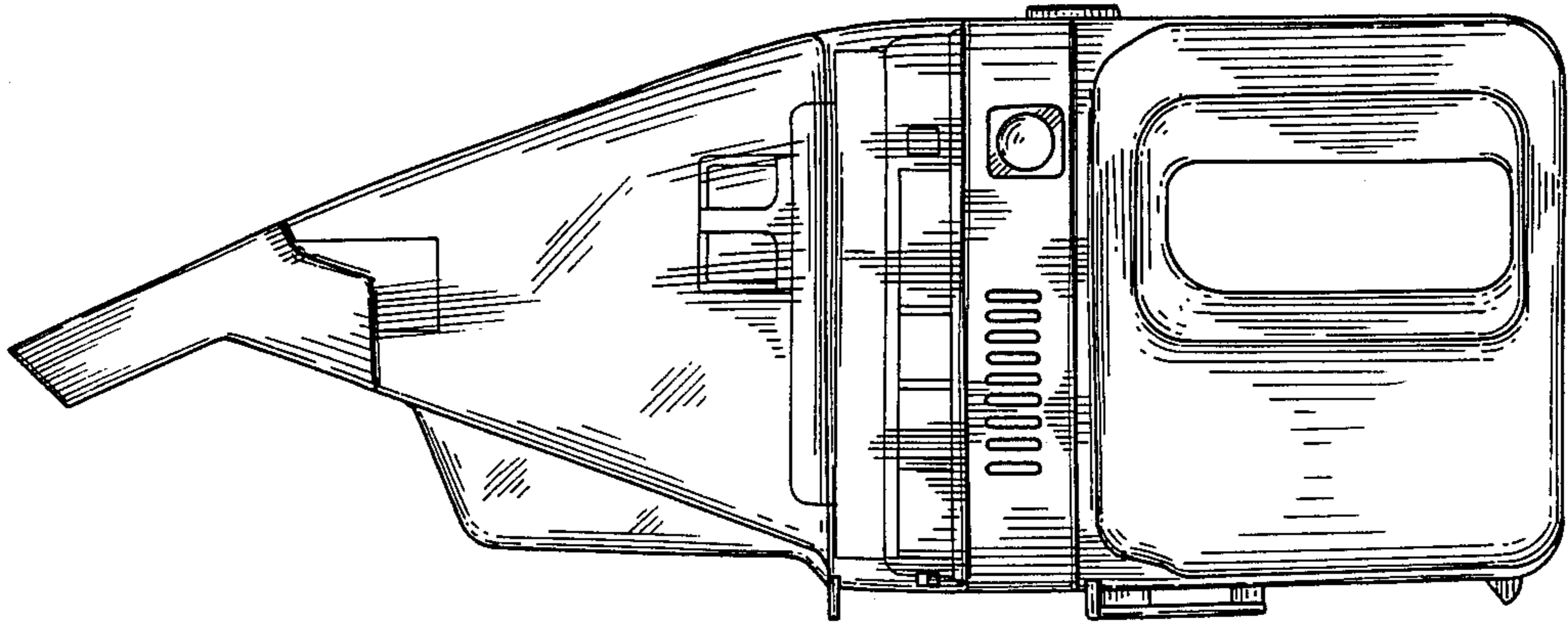


FIG. 3

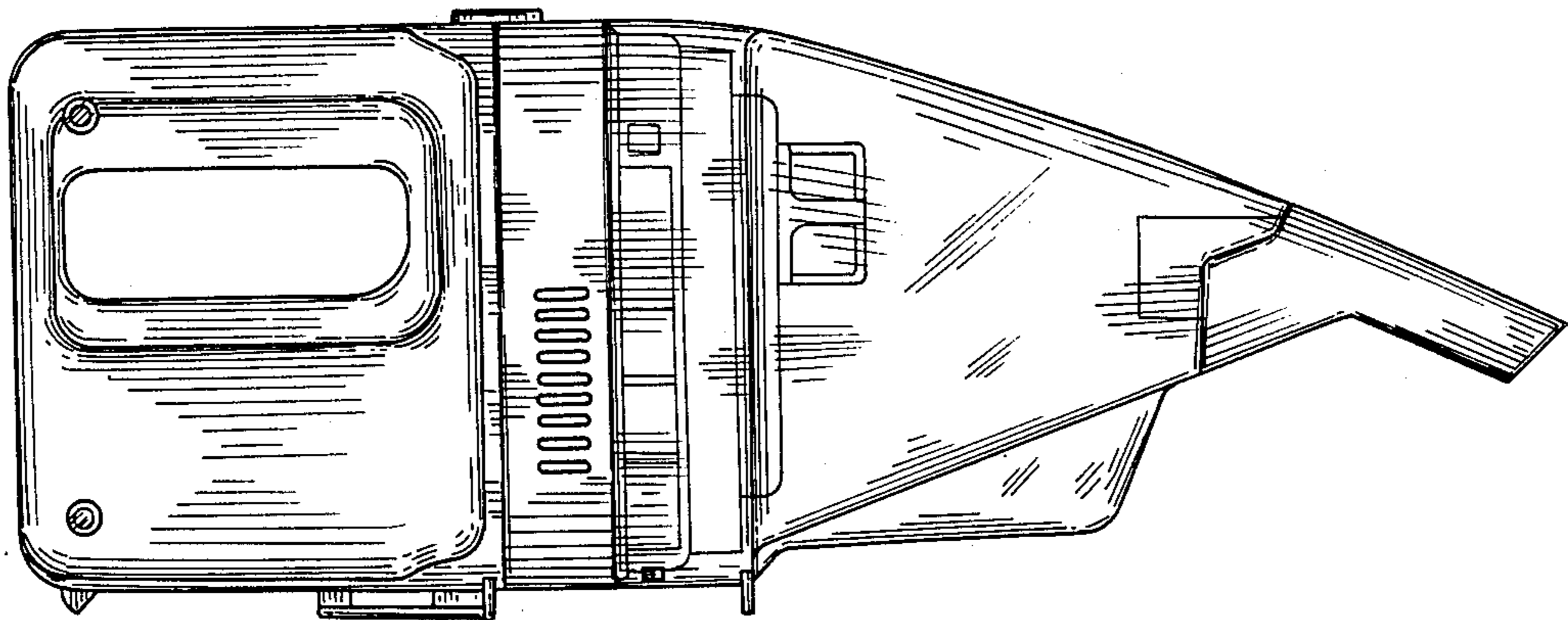


FIG. 4

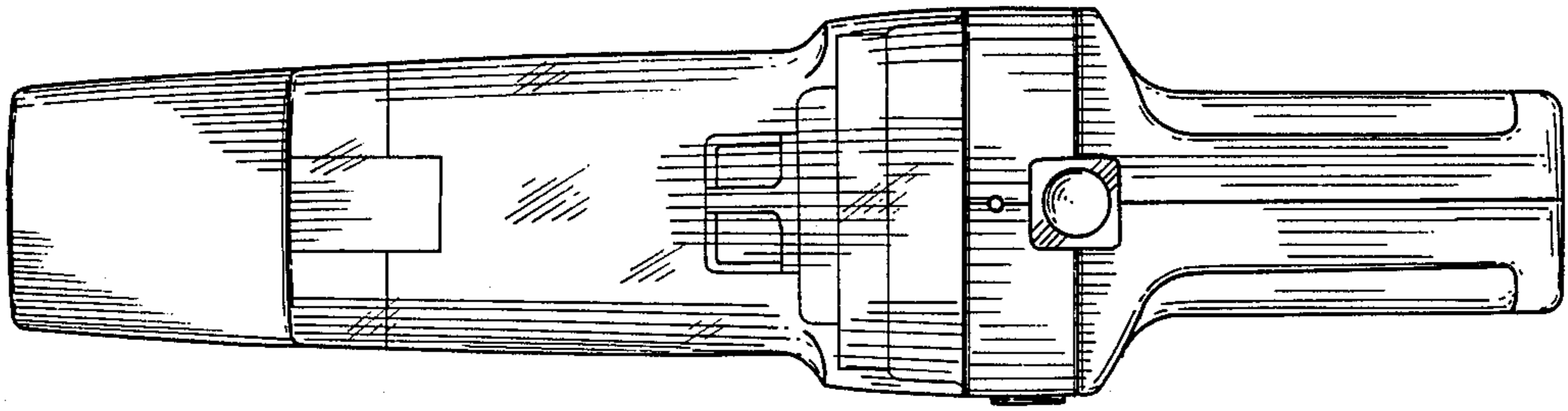


FIG. 5

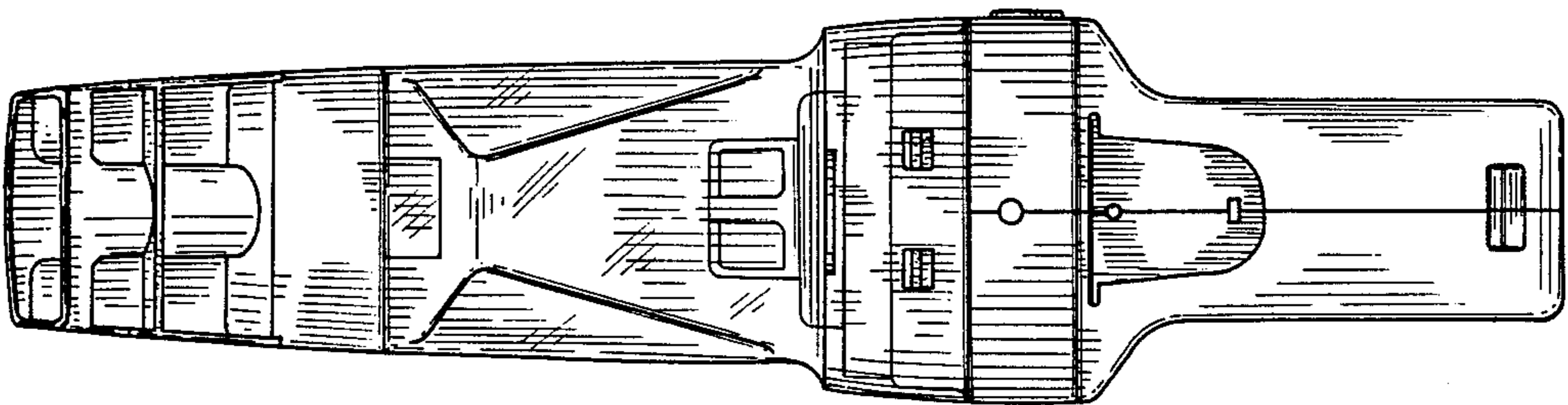


FIG. 6

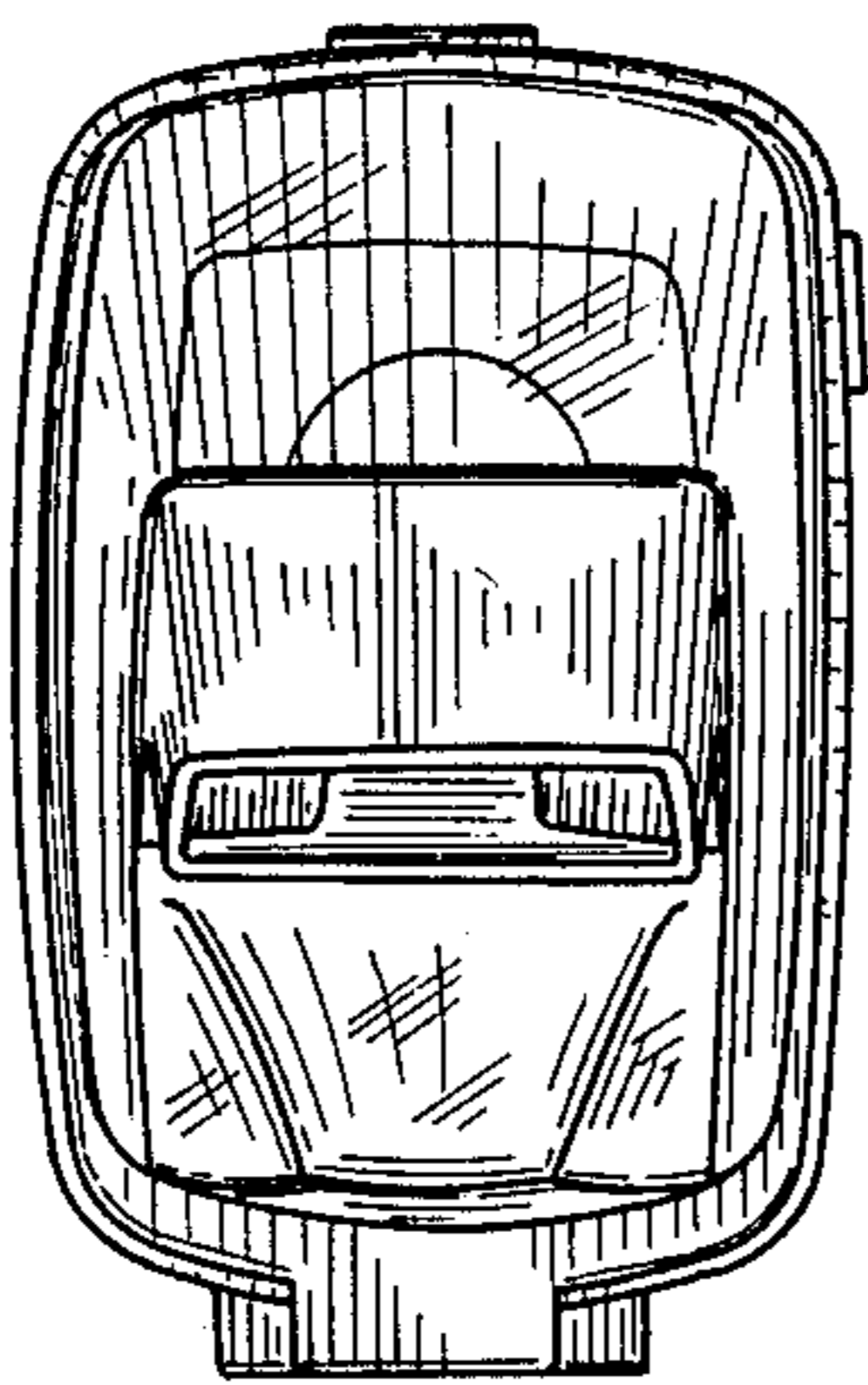


FIG. 7

