

[54] ANIMAL FEEDING DISH RACK

2,320,828 6/1943 Murphy ..... 119/61 X  
2,584,301 2/1952 Sinelair ..... 119/61  
3,661,121 5/1972 Zielin ..... 119/61

[76] Inventor: Cecil W. Trine, 16795 Perrett Rd.,  
Marshall, Mich. 49068

Primary Examiner—James R. Largen  
Attorney, Agent, or Firm—Flynn, Thiel, Boutell & Tanis

[\*\*] Term: 14 Years

[57] CLAIM

[21] Appl. No.: 150,095

The ornamental designs for an animal feeding dish rack,  
as shown and described.

[22] Filed: Jan. 29, 1988

[52] U.S. Cl. .... D30/133

[58] Field of Search ..... D30/121-133;  
119/51 R, 51.5, 52 R, 61

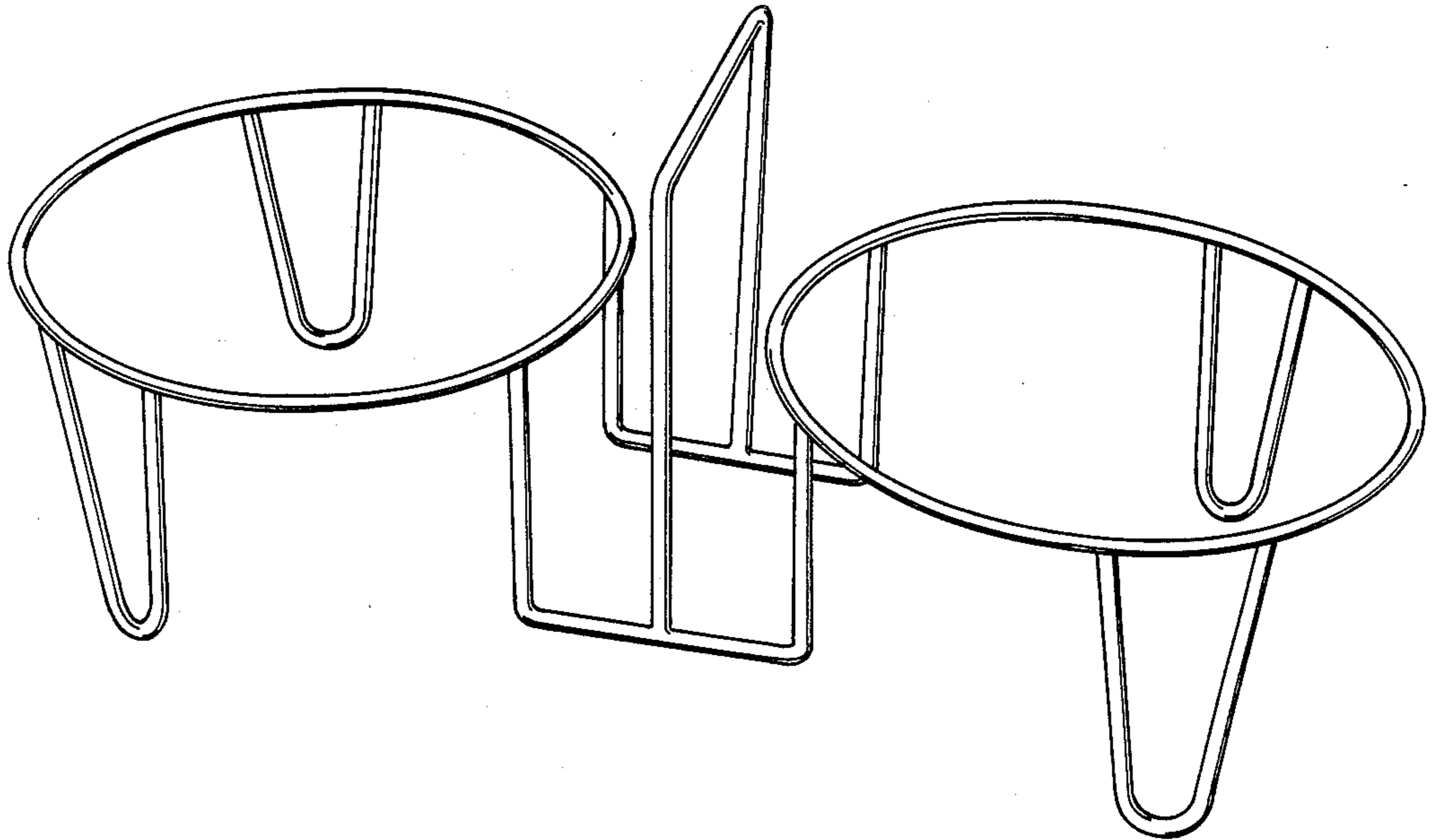
DESCRIPTION

[56] References Cited

U.S. PATENT DOCUMENTS

- D. 132,421 5/1942 Krapp ..... D30/133
- D. 217,472 5/1970 Lovitz ..... D30/133
- D. 259,967 7/1981 Ramspy ..... D30/133
- D. 277,705 2/1985 Bello ..... D30/133

FIG. 1 is a top and front perspective view of an animal feeding dish rack showing my new design;  
FIG. 2 is a front elevational view thereof, the rear being the same as the front shown;  
FIG. 3 is a right side elevational view thereof, the left side being the same as the right side shown;  
FIG. 4 is a top plan view thereof; and  
FIG. 5 is a bottom plan view thereof.



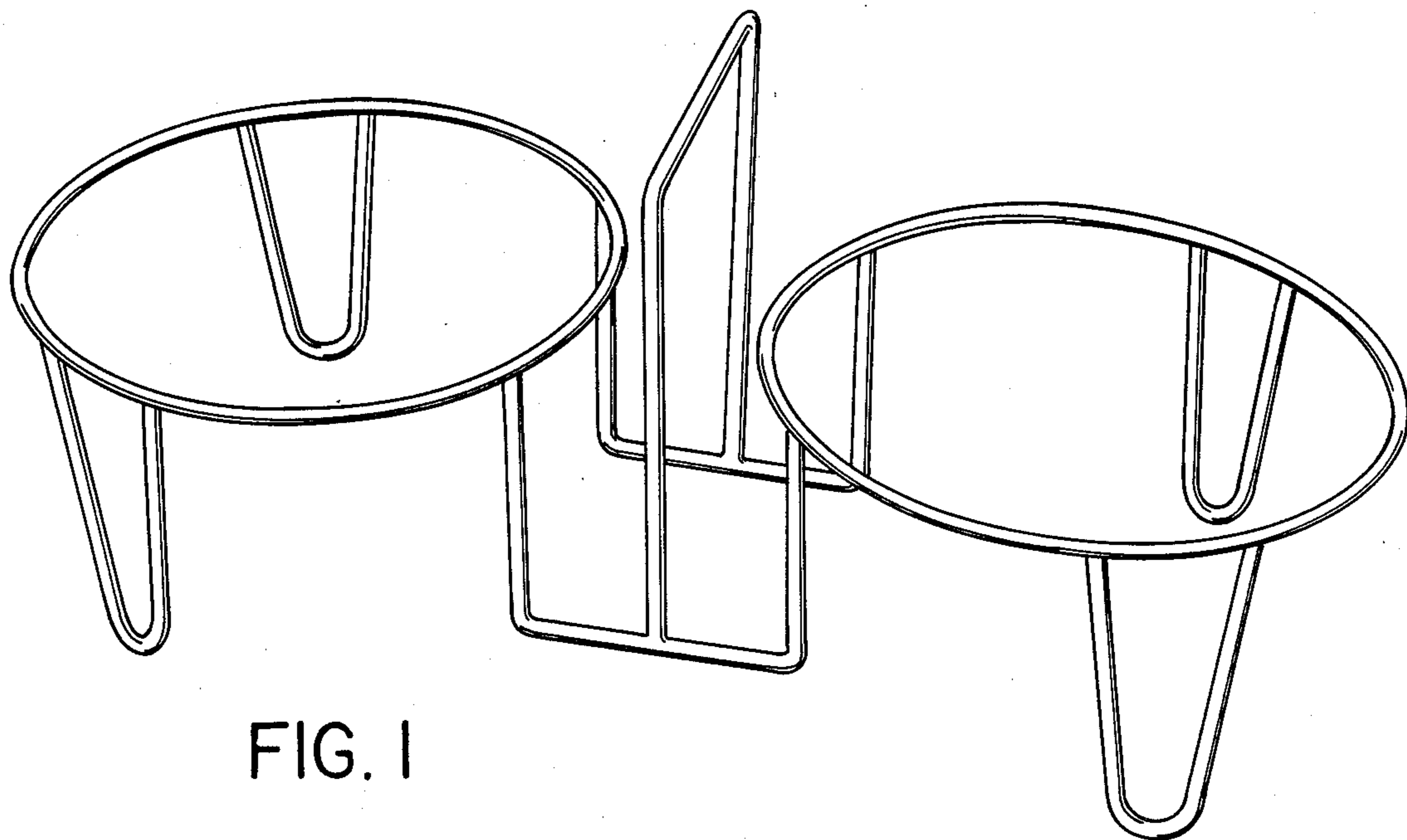


FIG. 1

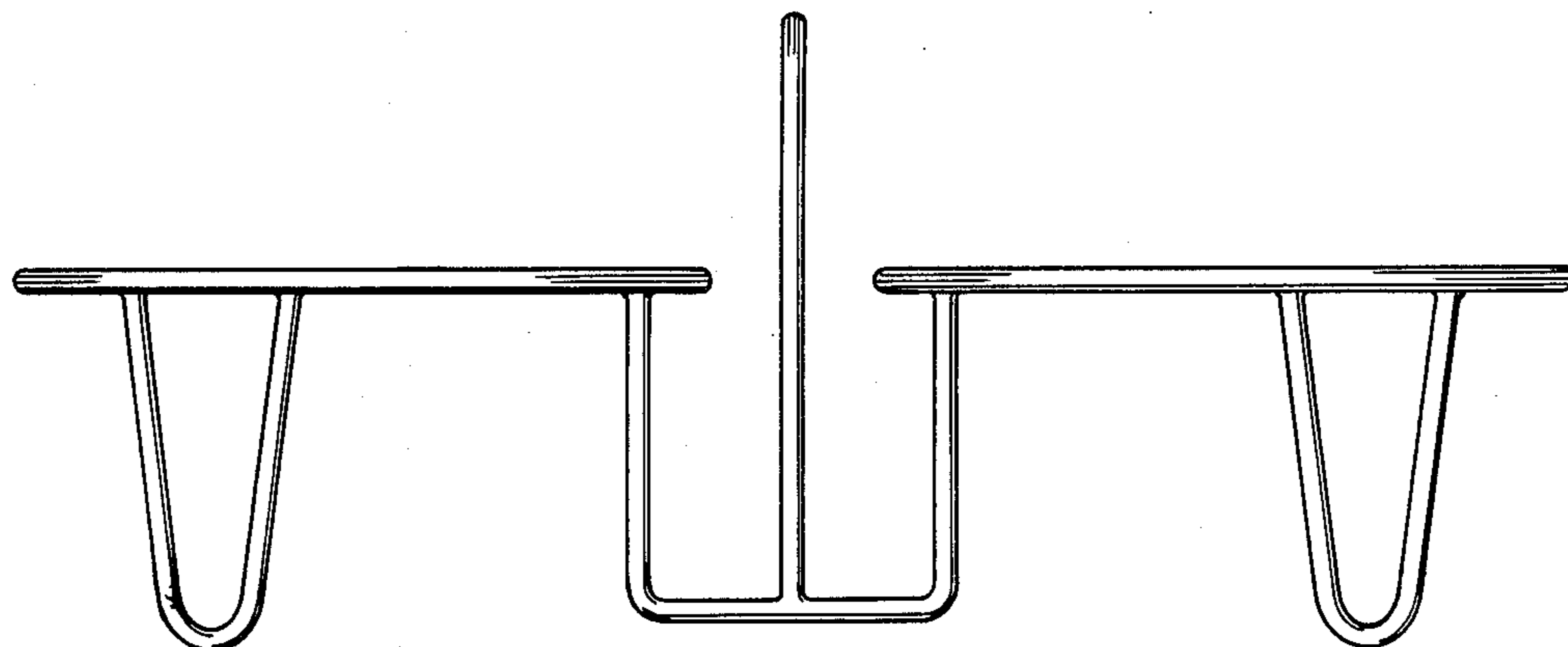


FIG. 2

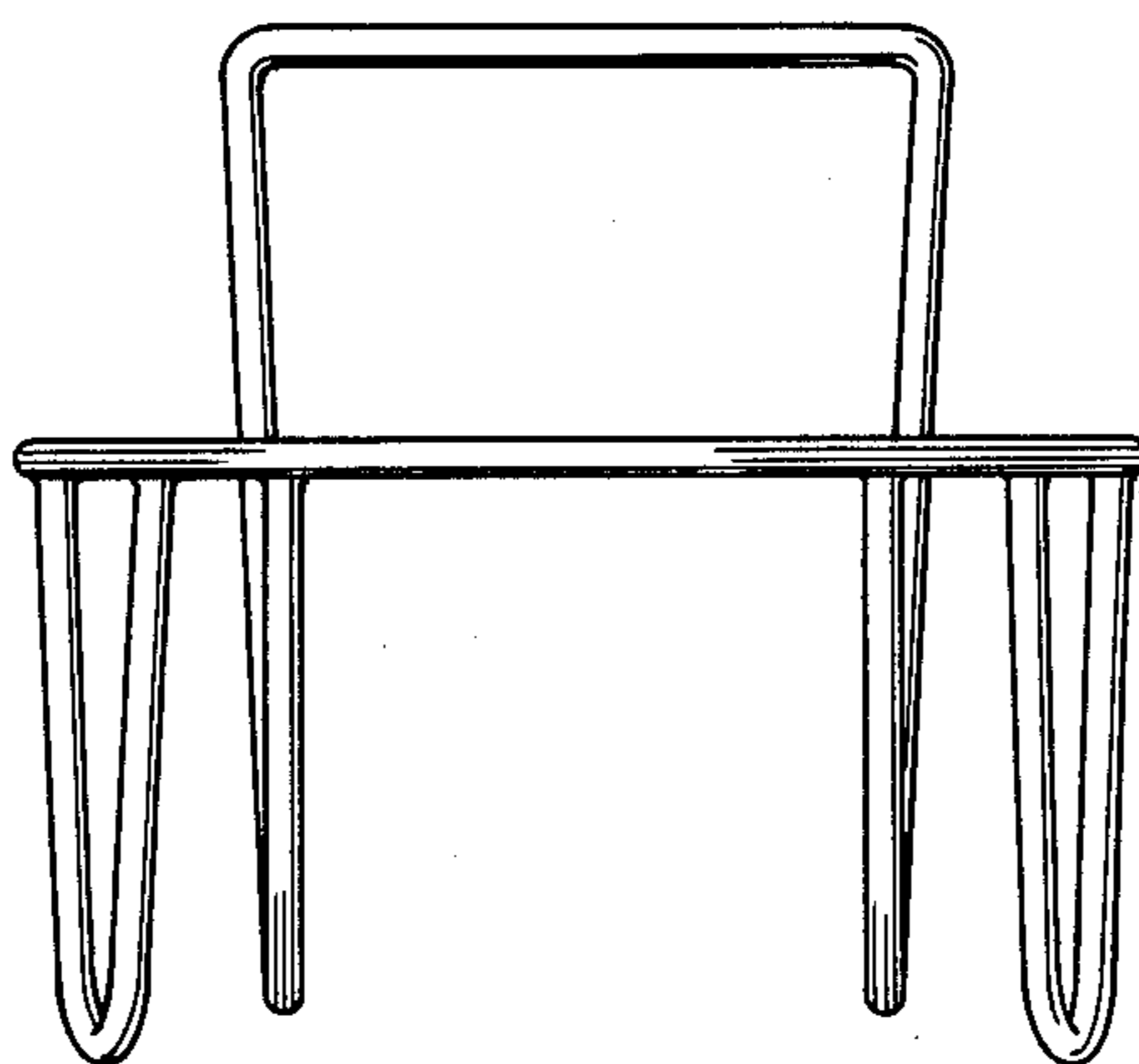


FIG. 3

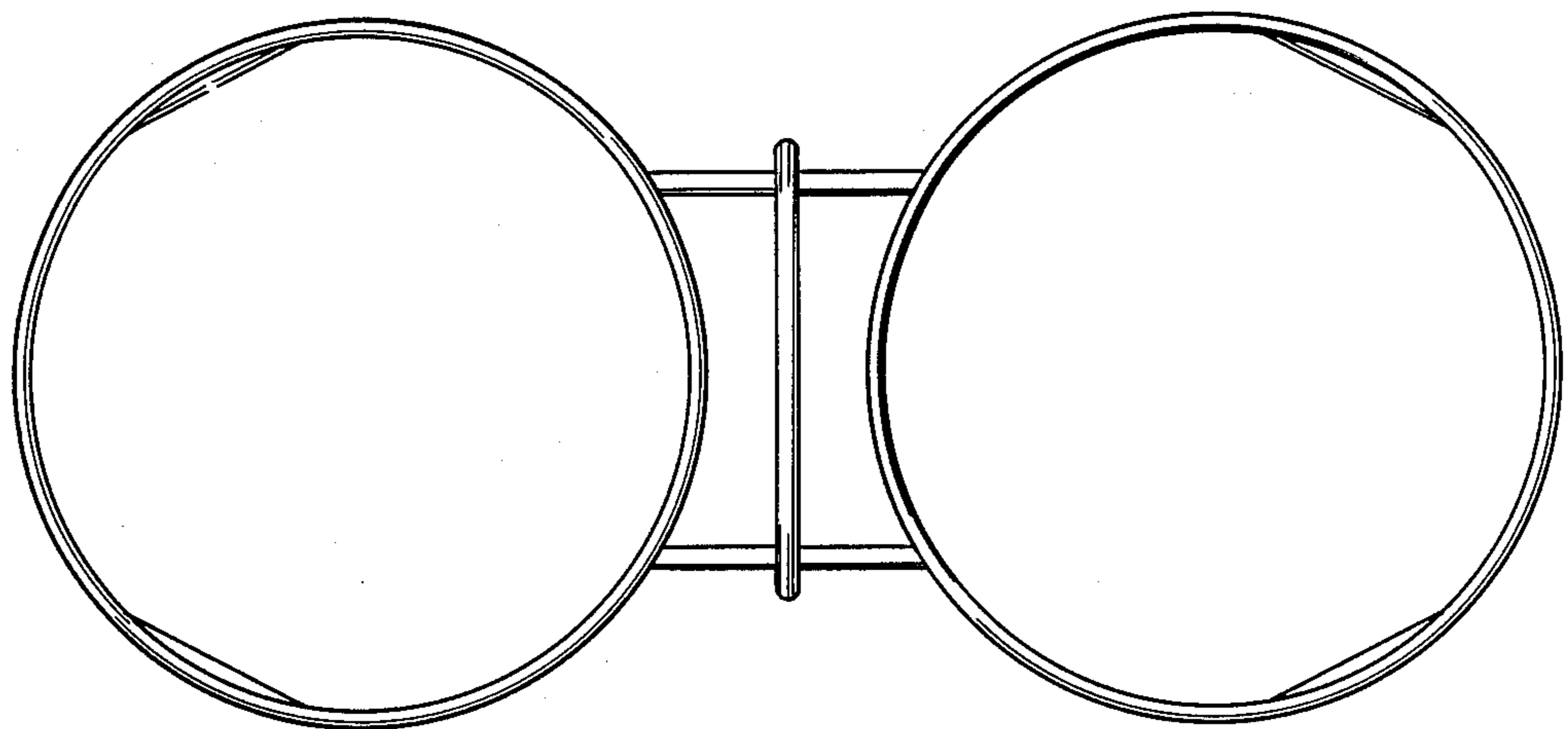


FIG. 4

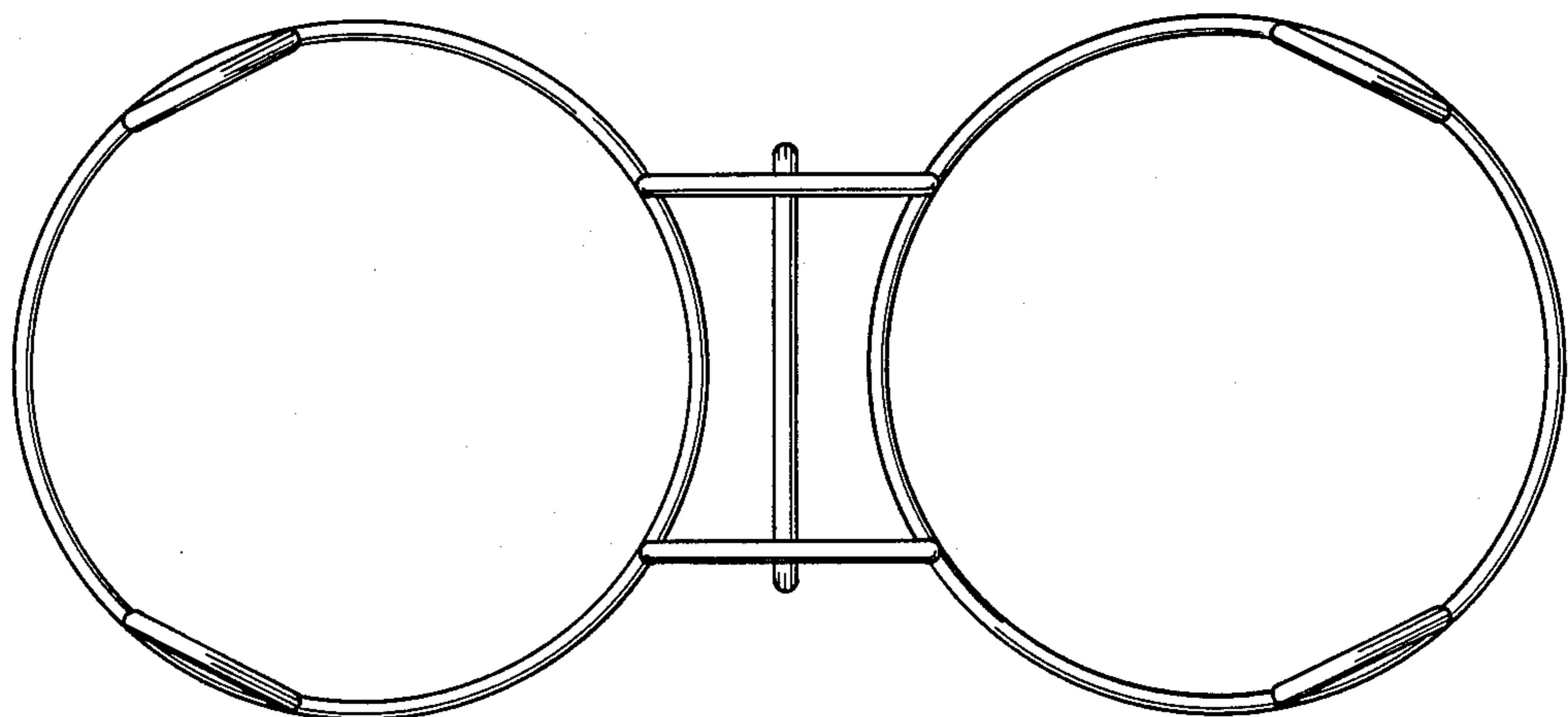


FIG. 5