

[54] PET FEEDING DISH

[76] Inventor: Majid Zaliti, P.O. Box 27912, Escondido, Calif. 92027

[**] Term: 14 Years

[21] Appl. No.: 167,448

[22] Filed: Mar. 14, 1988

[52] U.S. Cl. D30/130

[58] Field of Search D30/121-133; 119/51.5, 61, 863

[56] References Cited

U.S. PATENT DOCUMENTS

- D. 101,140 9/1936 Robertson D30/129
- D. 105,812 8/1937 Siekert D30/130
- D. 178,232 7/1956 Frazin D30/129

- D. 230,033 1/1974 Goldman et al. D30/130
- D. 294,531 3/1988 Neunzig D30/130
- 576,196 2/1897 Johnson 119/61 X
- 4,357,905 11/1982 Carpenter 119/61
- 4,532,891 8/1985 Jones 119/61 X

Primary Examiner—James R. Largen
Attorney, Agent, or Firm—L. E. Massie

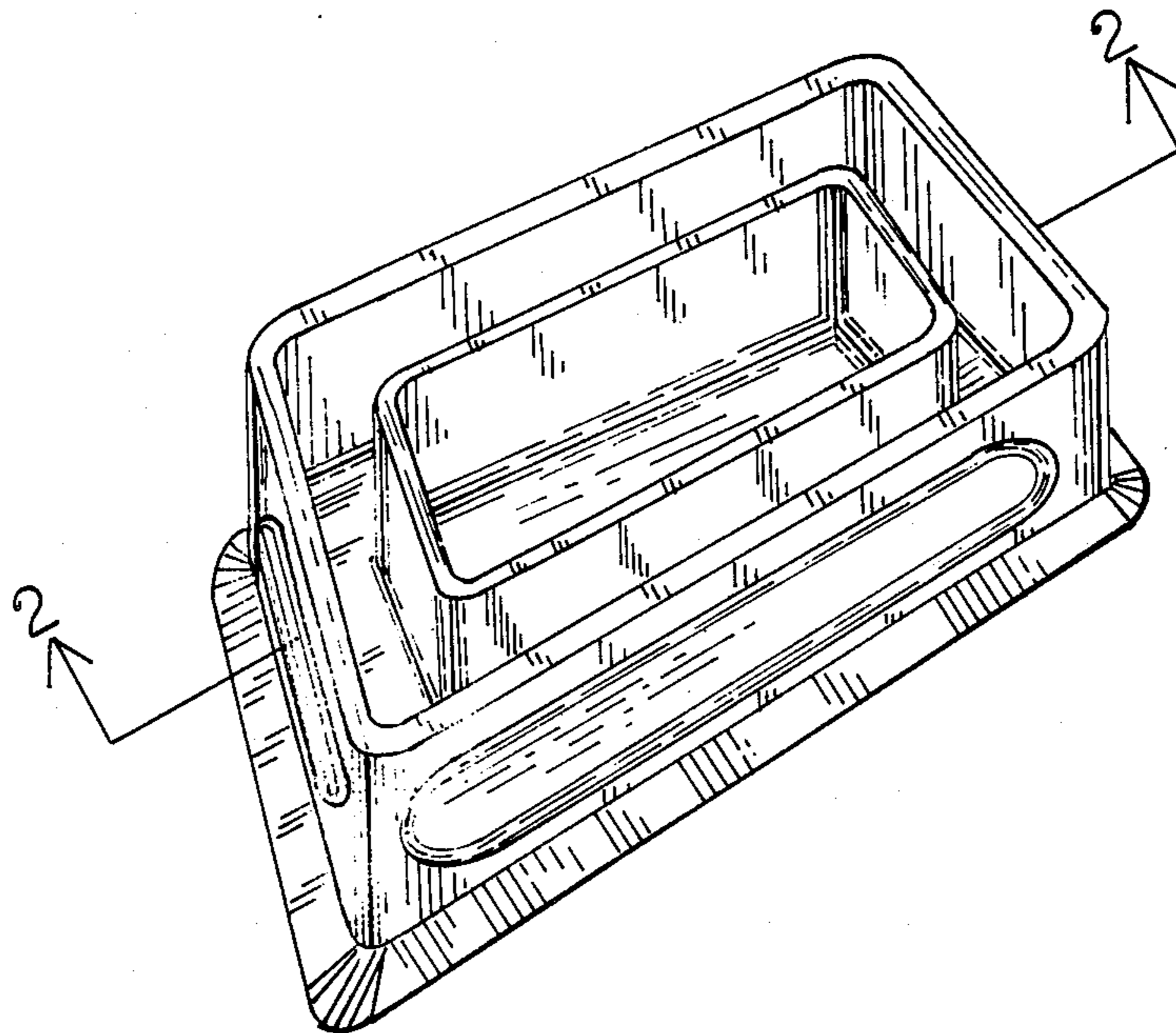
[57] CLAIM

The ornamental design for a pet feeding dish design, as shown and described.

DESCRIPTION

FIG. 1 is a perspective view taken from the top, front and left side of a pet feeding dish showing my new design, the rear and right side being the same as the front and left side as shown; and

FIG. 2 is a cross sectional view taken on the line 1—1 of FIG. 1.



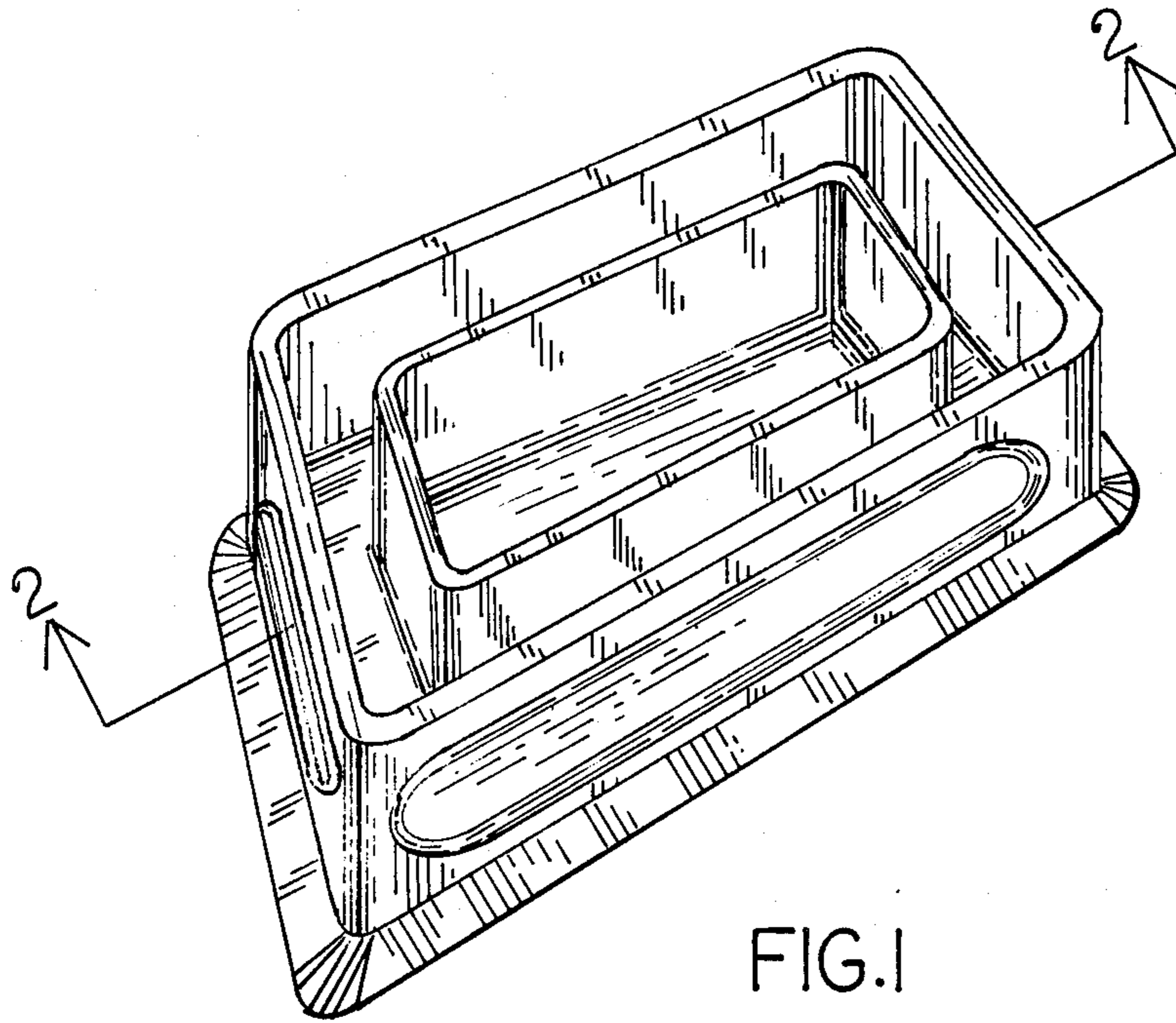


FIG. 1

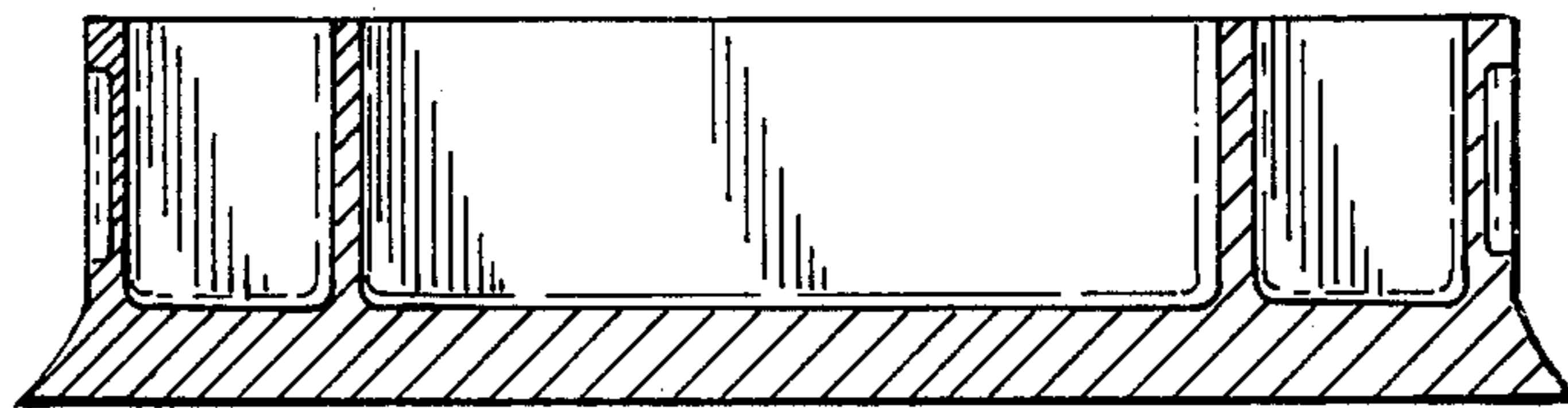


FIG. 2