

[54] **ANIMAL FEEDER**

[75] **Inventor: John M. Fuller, Winchester, Va.**

[73] **Assignee: Rubbermaid Commerical Products Inc., Winchester, Va.**

[**] **Term: 14 Years**

[21] **Appl. No.: 2,520**

[22] **Filed: Jan. 12, 1987**

[52] **U.S. Cl. D30/129**

[58] **Field of Search D30/121-133;
119/18, 61, 863**

[56] **References Cited**

U.S. PATENT DOCUMENTS

D. 193,654	9/1962	Voorhis	D30/129
D. 194,784	3/1963	Voorhis	D30/129
D. 285,498	9/1986	Thibault	D30/132
D. 289,452	4/1987	Fuller	D30/132
3,205,861	9/1965	Moore	119/61
3,419,196	12/1968	Moore	119/72

OTHER PUBLICATIONS

“Ranchmaster” Sell Sheet, Ranch Master, Inc., 10885-C Kalama River Road, Fountain Valley, CA 92708, Pub. Date Unknown.

Sell Sheet-Dan’s Saddlery Corporation, 65 Mahan Street, West Babylon, NY 11704. Publ. Date Unknown.

Sell Sheet-Fortiflex, Inc., GPO Box 4523, San Juan, PR 00936, U.S.A. Published 1983.

Primary Examiner—James R. Largen

Attorney, Agent, or Firm—Richard B. O’Planick

[57] **CLAIM**

The ornamental design for an animal feeder, as shown and described.

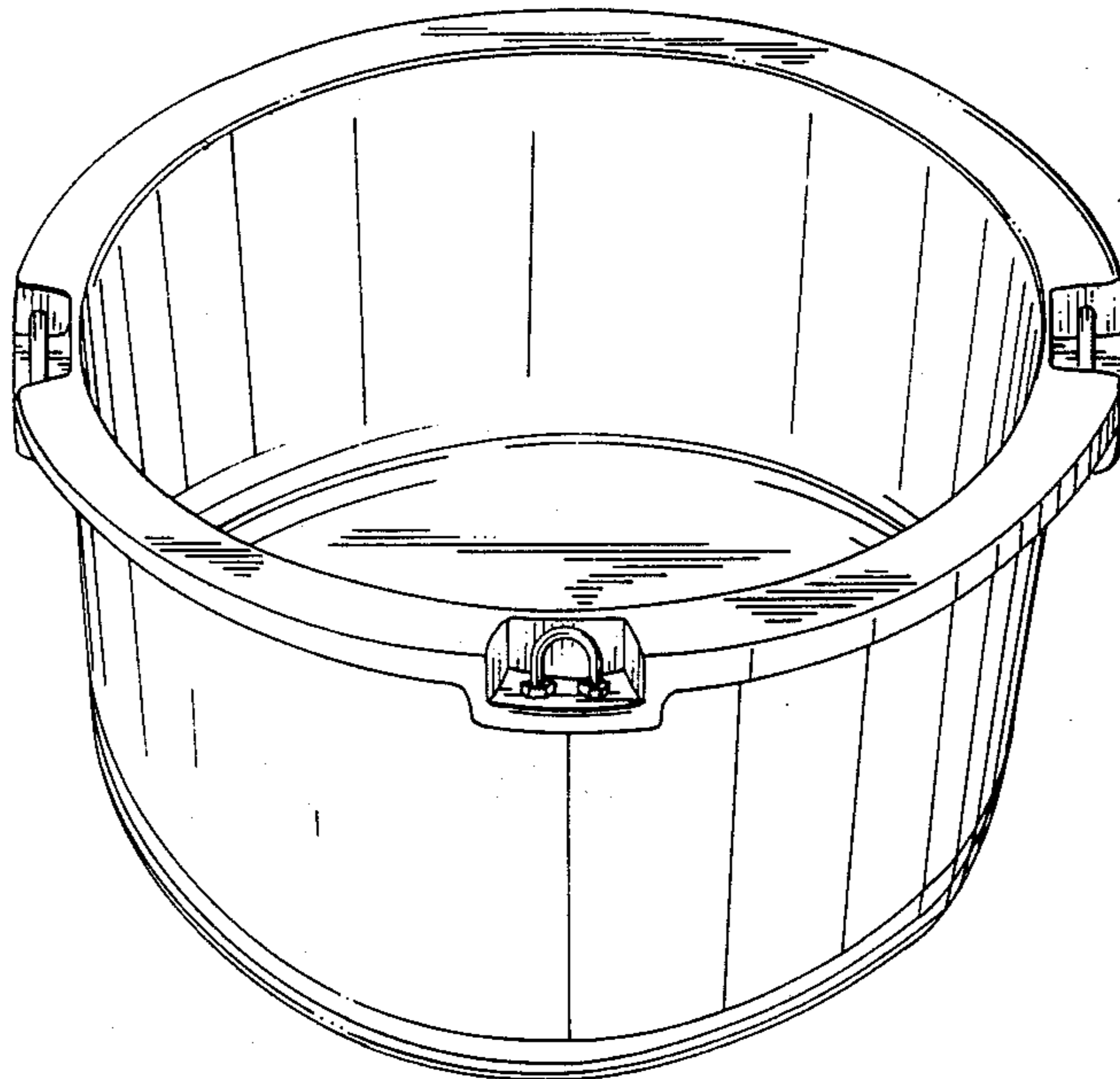
DESCRIPTION

FIG. 1 is a top perspective view of the animal feeder embodying my new design.

FIG. 2 is a top plan view thereof.

FIG. 3 is a side elevational view thereof.

FIG. 4 is a bottom plan view thereof.



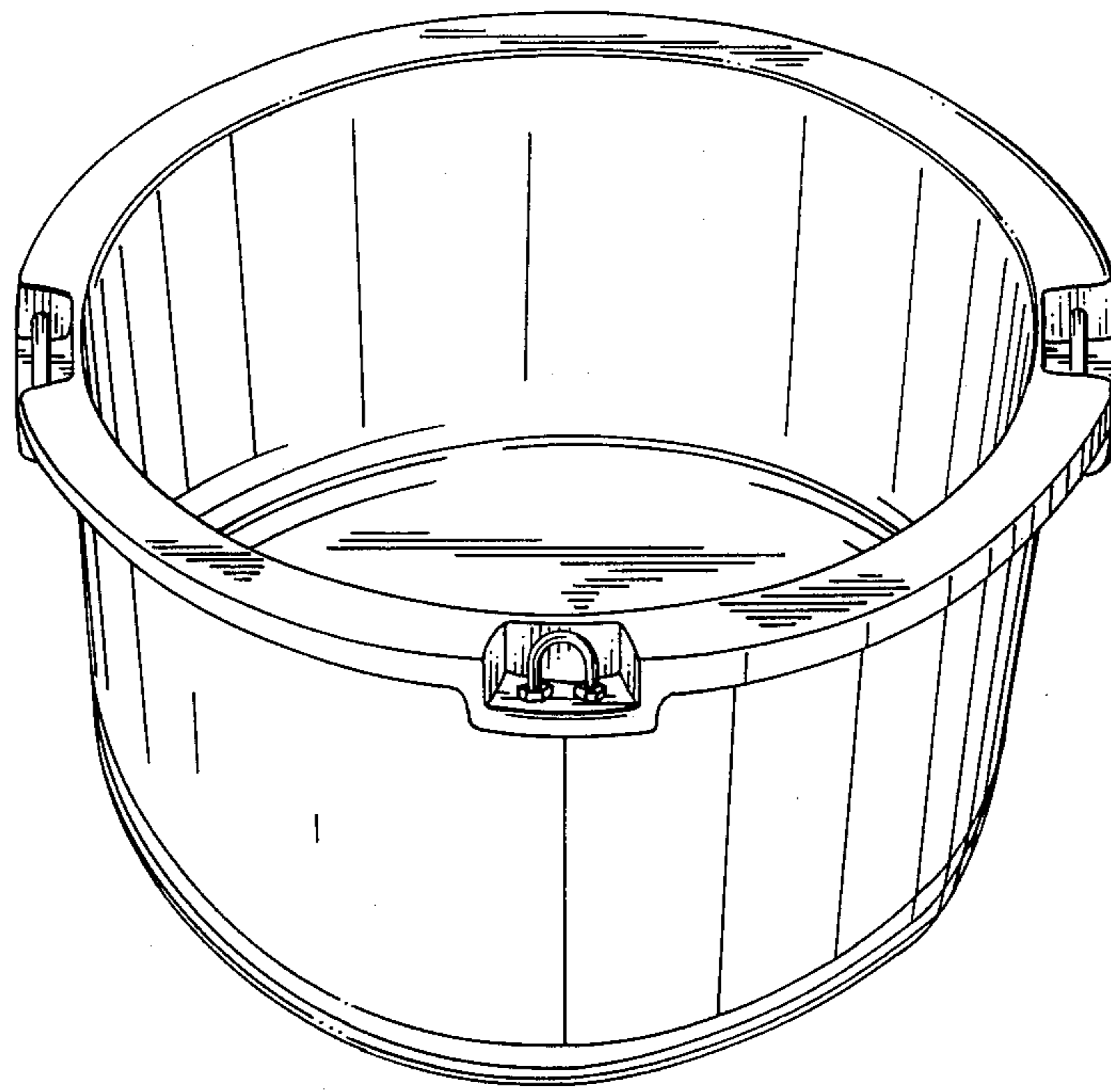


Fig. 1

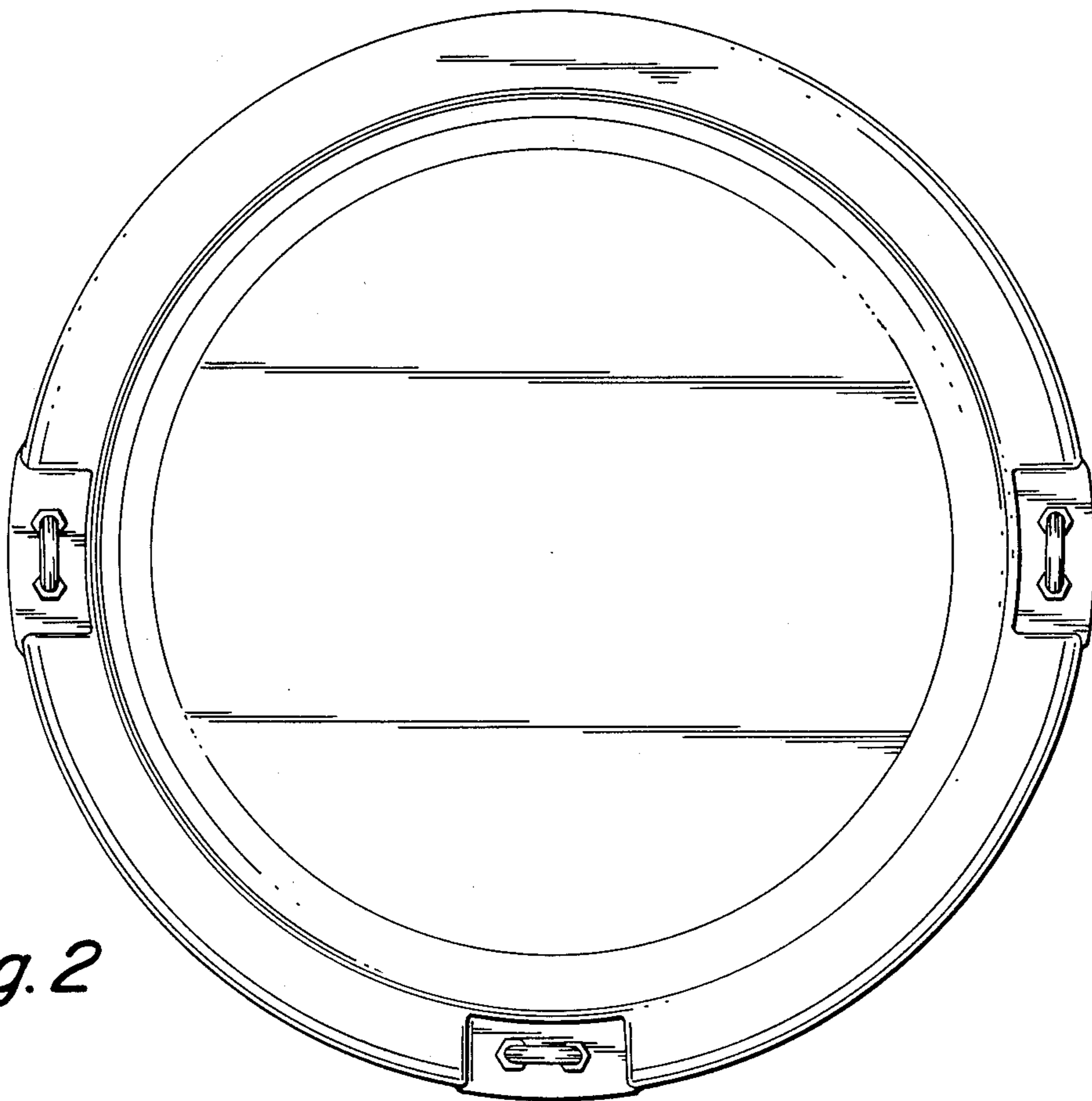


Fig. 2

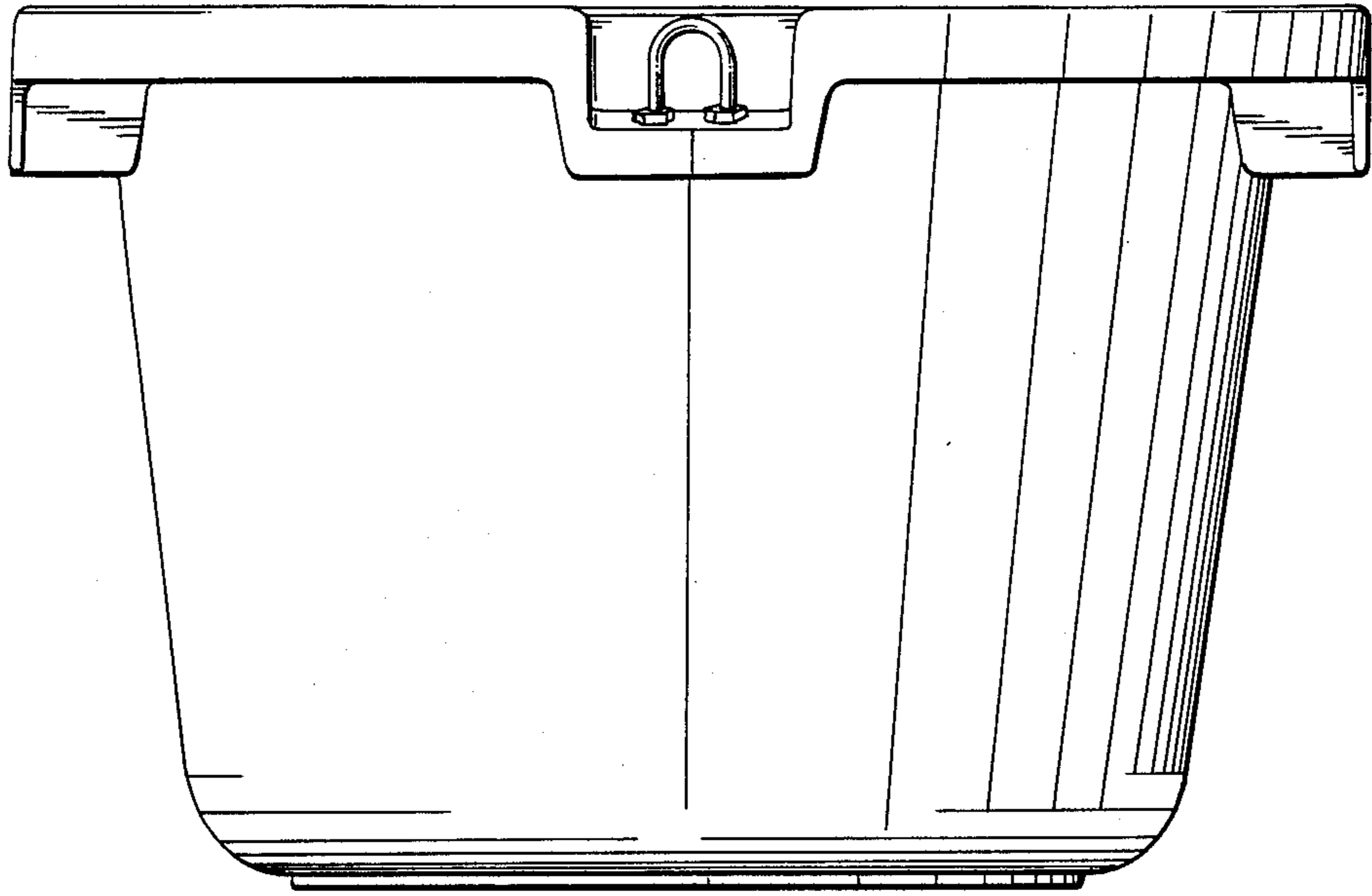


Fig. 3

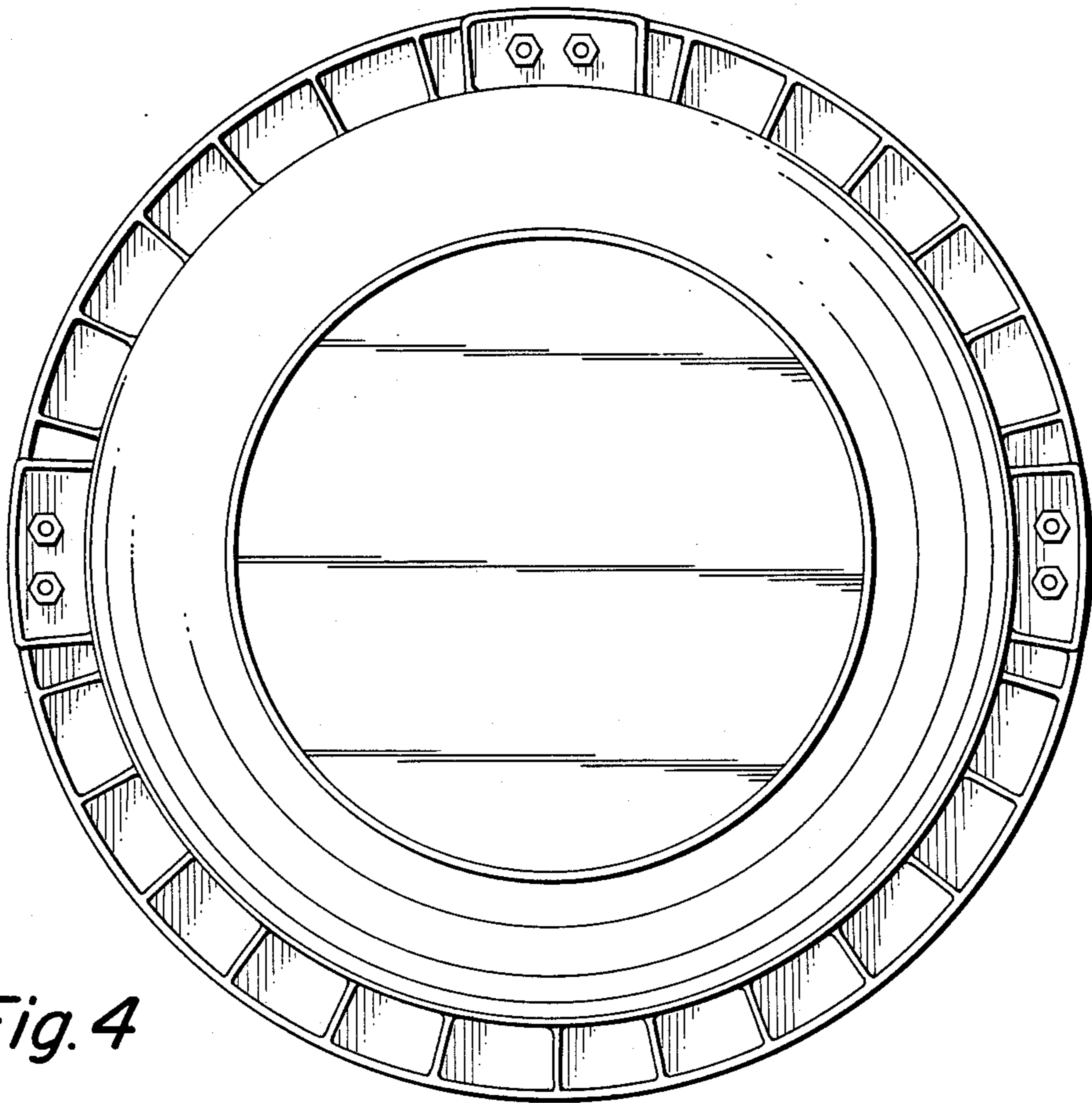


Fig. 4