

United States Patent [19]

Zelinger

[11] Patent Number: **Des. 302,753**

[45] Date of Patent: **** Aug. 8, 1989**

[54] **ANIMAL FEEDING DISH**

[75] Inventor: **Alan Zelinger, Monsey, N.Y.**

[73] Assignee: **Ethical Products, Inc., Newark, N.J.**

[**] Term: **14 Years**

[21] Appl. No.: **98,134**

[22] Filed: **Sep. 18, 1987**

[52] U.S. Cl. **D30/129**

[58] Field of Search **D30/121-133;**
119/51 R, 52 R, 61, 63

[56] **References Cited**

U.S. PATENT DOCUMENTS

- D. 156,331 12/1949 French D30/129
- D. 201,670 7/1965 Moore D30/130
- 1,562,620 11/1925 Dill 119/61

- 3,491,724 1/1970 Sunner 119/61
- 4,085,706 4/1978 Evans 119/61
- 4,291,648 9/1981 Garvin 119/61

Primary Examiner—James R. Largen
Attorney, Agent, or Firm—Anthony F. Cuoco

[57] **CLAIM**

The ornamental design for an animal feeding dish, as shown and described.

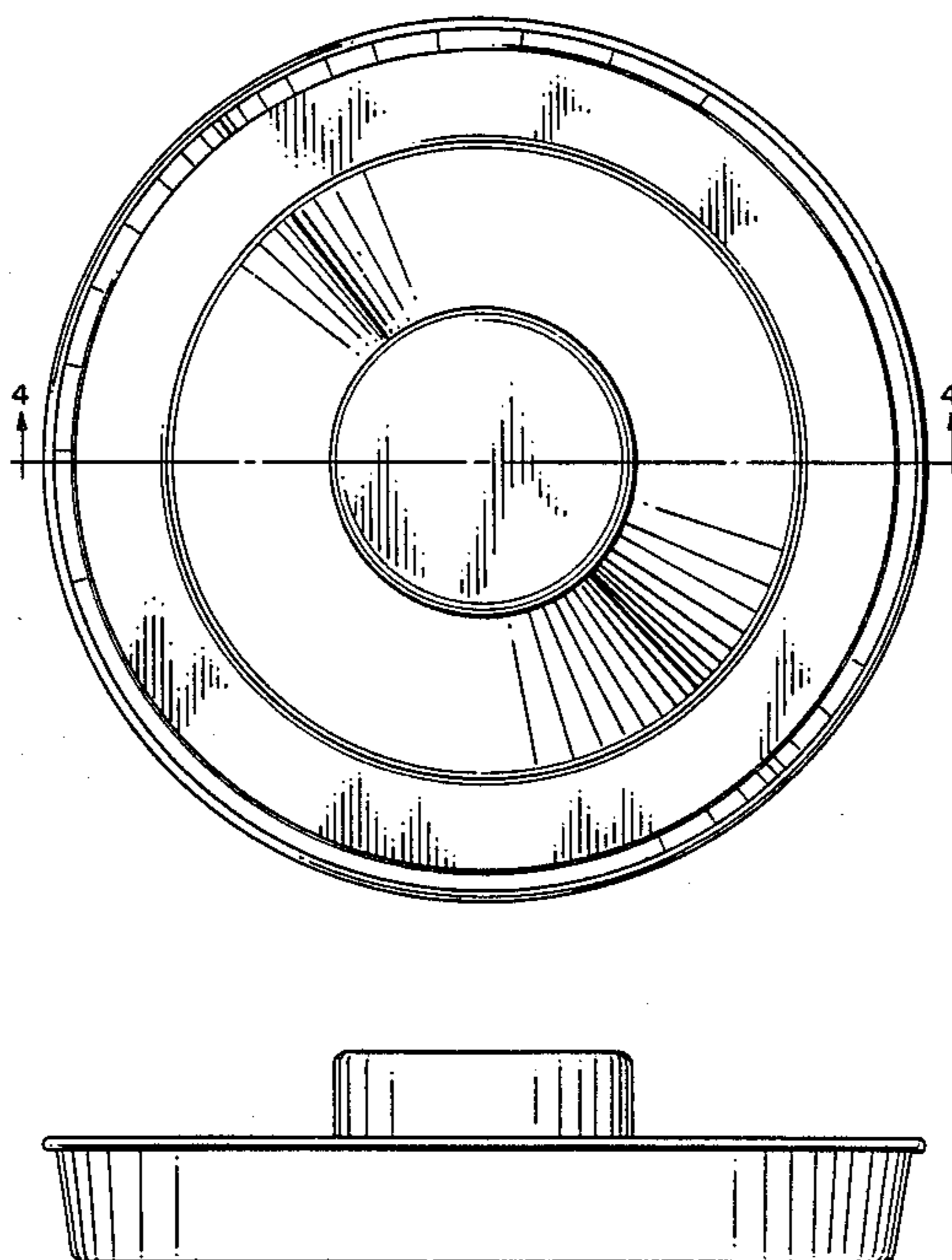
DESCRIPTION

FIG. 1 is a top plan view of an animal feeding dish embodying my new design.

FIG. 2 is a bottom plan view thereof.

FIG. 3 is a side elevational view thereof, the other sides being the same as the side shown.

FIG. 4 is a sectional view taken along line 4—4 in FIG. 1.



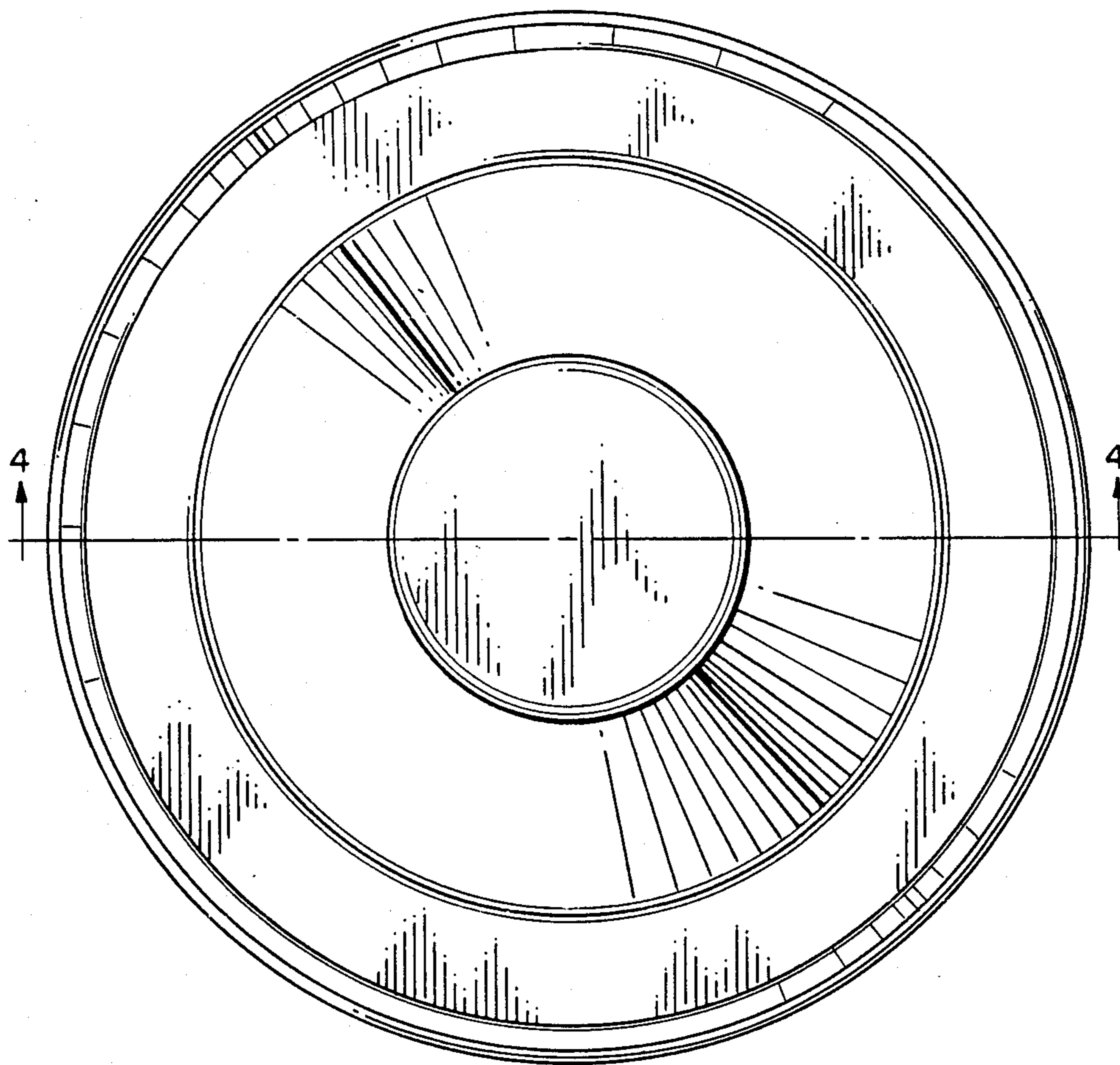


FIG. 1

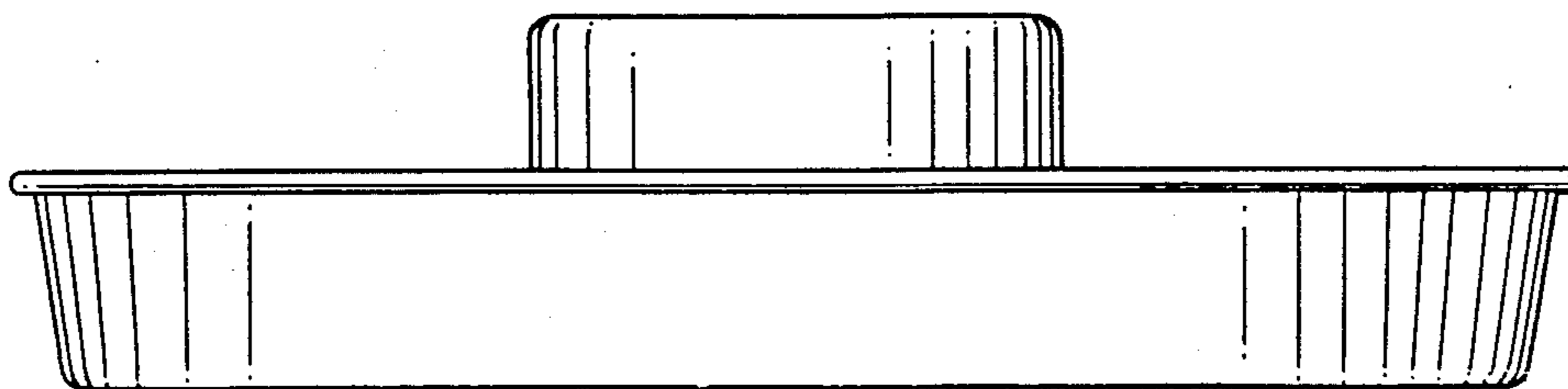


FIG. 3

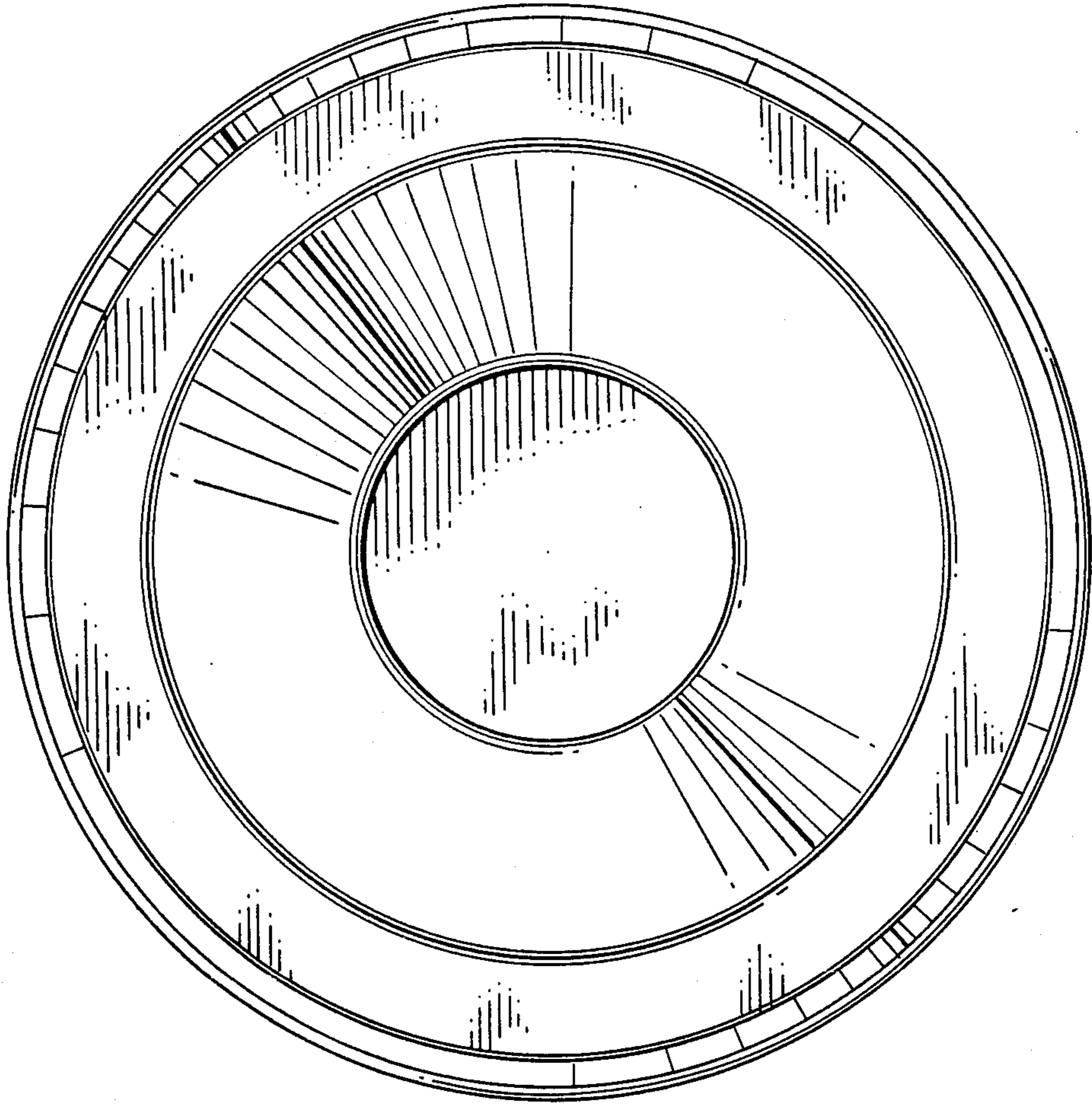


FIG. 2

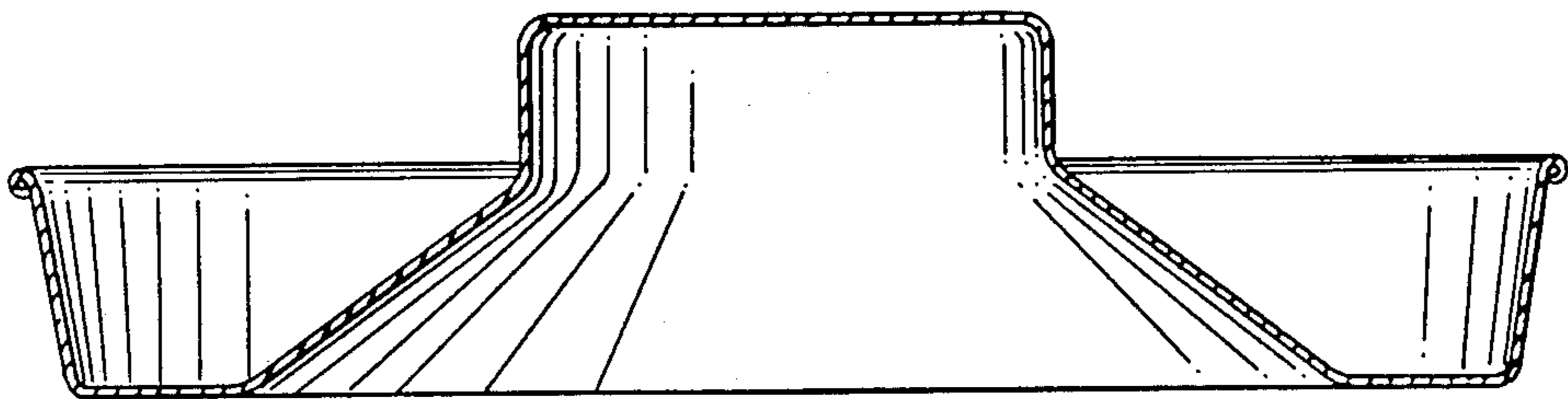


FIG. 4