

[54] SHELTERED BIRD FEEDER

[76] Inventor: Timothy Baldwin, 151 Woodbury Dr., Dayton, Ohio 45415

[*] Notice: The portion of the term of this patent subsequent to Aug. 8, 2003 has been disclaimed.

[**] Term: 14 Years

[21] Appl. No.: 142,880

[22] Filed: Jan. 7, 1988

[52] U.S. Cl. D30/124

[58] Field of Search D30/121-132; 119/51 R, 52 R

[56] References Cited

U.S. PATENT DOCUMENTS

D. 194,109	11/1962	Dilleg	D30/126
D. 198,568	7/1964	Clever	D30/124
D. 285,847	9/1986	Read	D30/124
1,954,286	4/1934	Dercum	D30/124 X
2,349,868	5/1944	Hyde	119/51 R
2,524,502	10/1950	Wilkinson	119/51 R

2,707,454	5/1955	Wilkinson	119/51 R
2,918,901	12/1959	Poulsen	119/51 R
3,086,499	4/1963	Dilley	119/51 R
3,094,973	6/1963	Devall	119/51 R

Primary Examiner—James R. Largen
Attorney, Agent, or Firm—Smith & Schnacke

[57] CLAIM

The ornamental design for a sheltered bird feeder, as shown and described.

DESCRIPTION

FIG. 1 is a perspective view of a sheltered bird feeder showing my new design taken from the top front and left side thereof;

FIG. 2 is a front elevational view thereof;

FIG. 3 is a rear elevational view thereof;

FIG. 4 is a right side elevational view thereof;

FIG. 5 is a left side elevational view thereof;

FIG. 6 is a top plan view thereof; and

FIG. 7 is a bottom plan view thereof.

The fragmentary broken line representation of a support pole in Fig. 1 is for purposes of illustration only and forms no part of the claimed design.

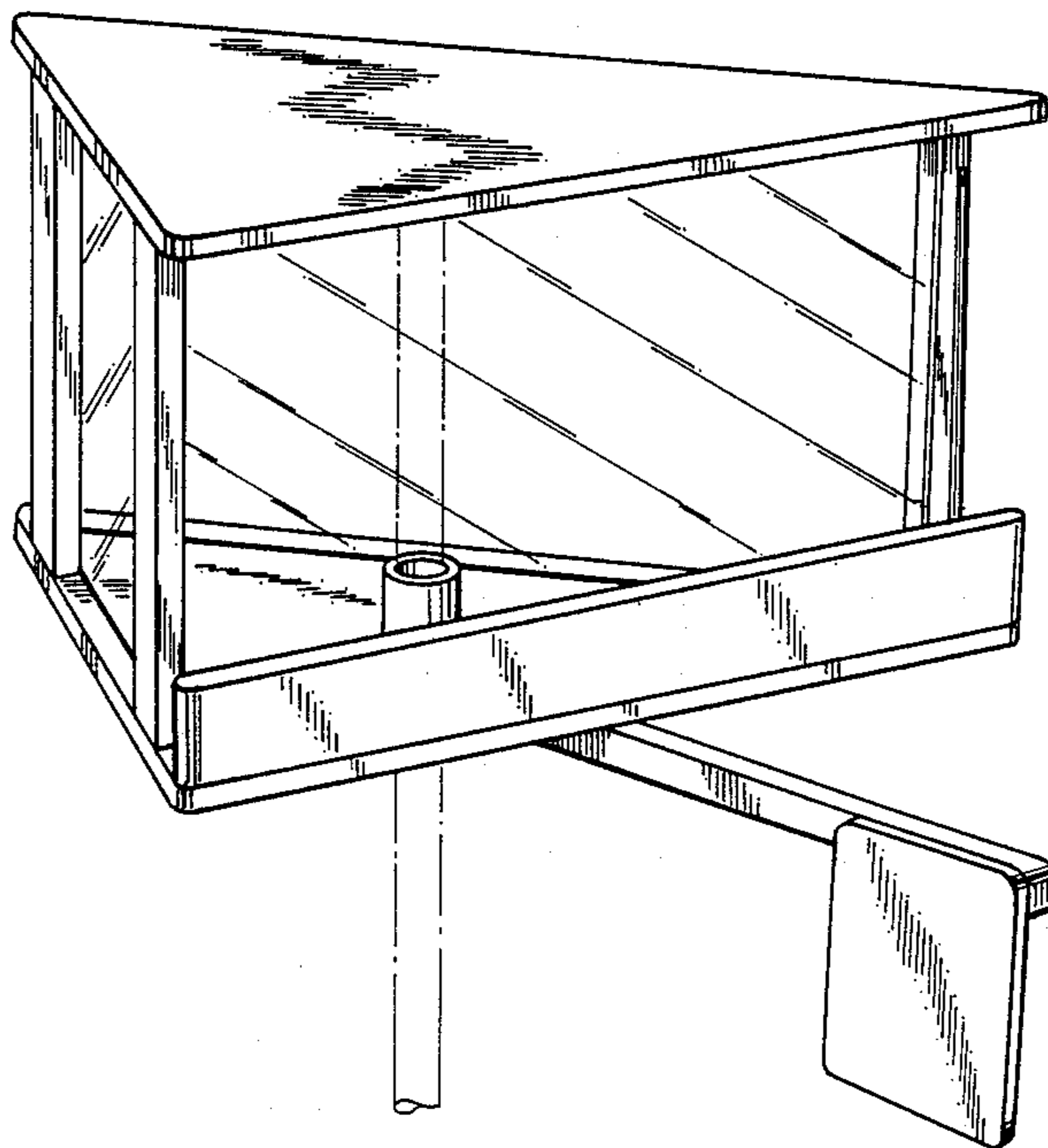


FIG-1

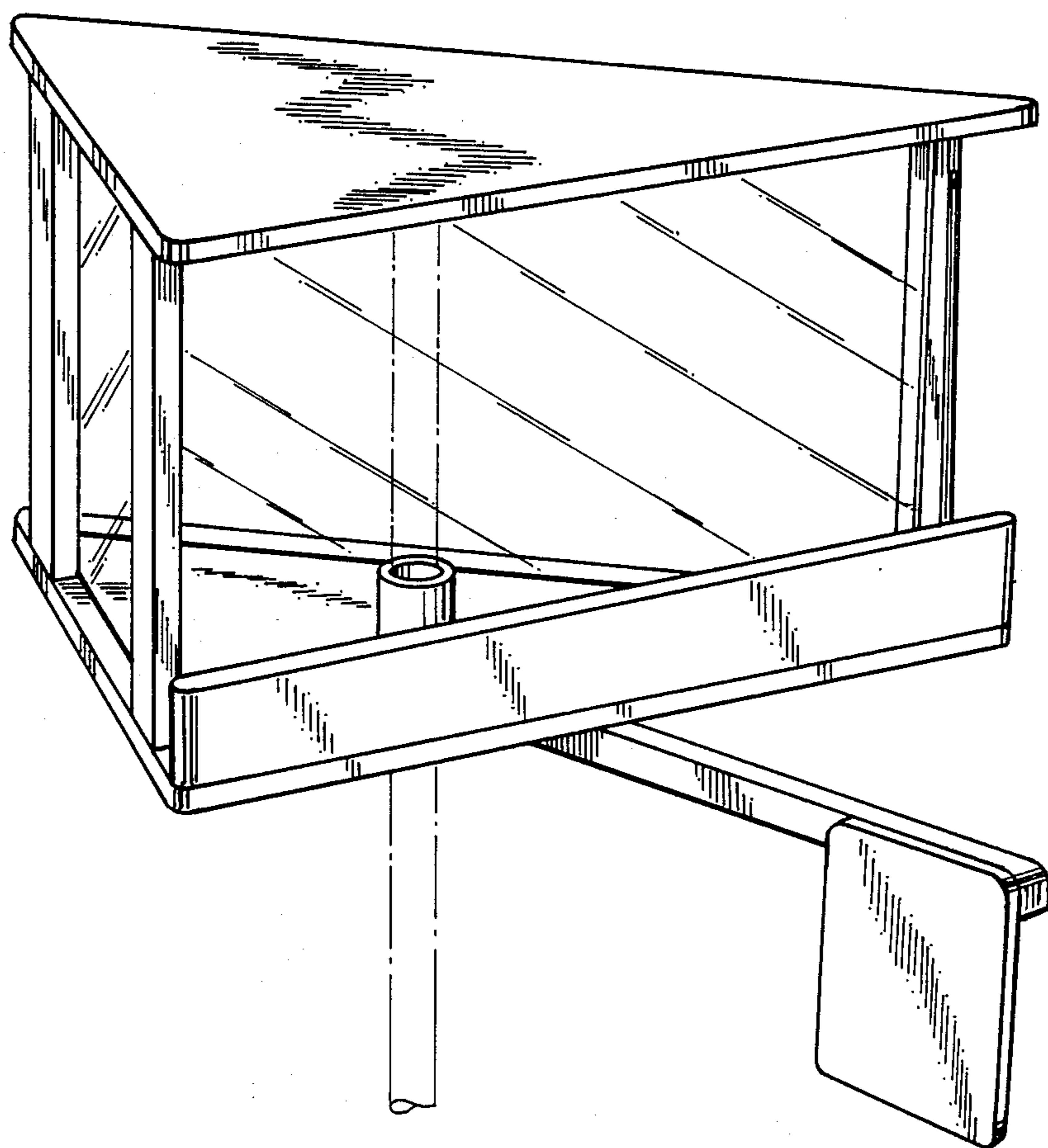


FIG-2

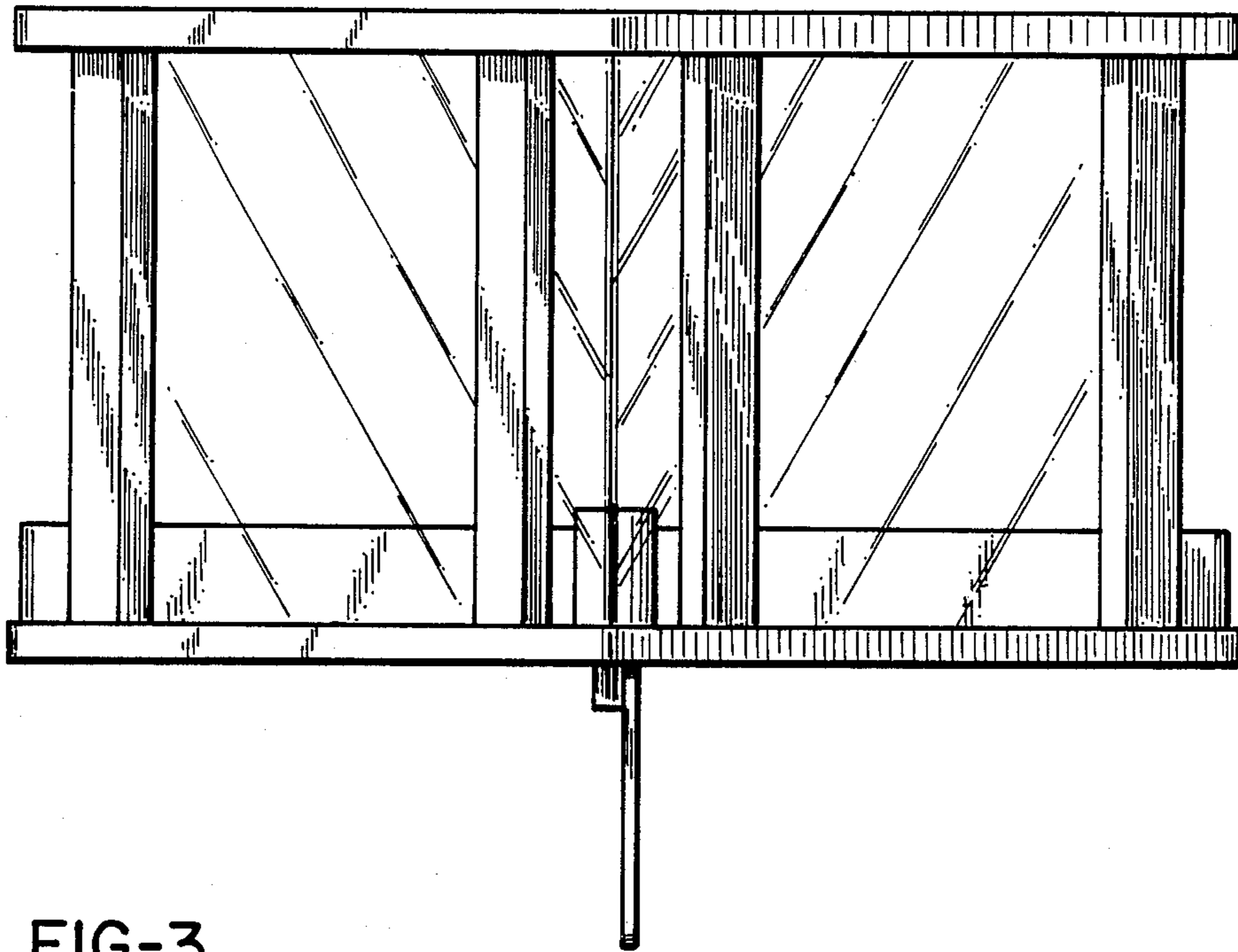


FIG-3

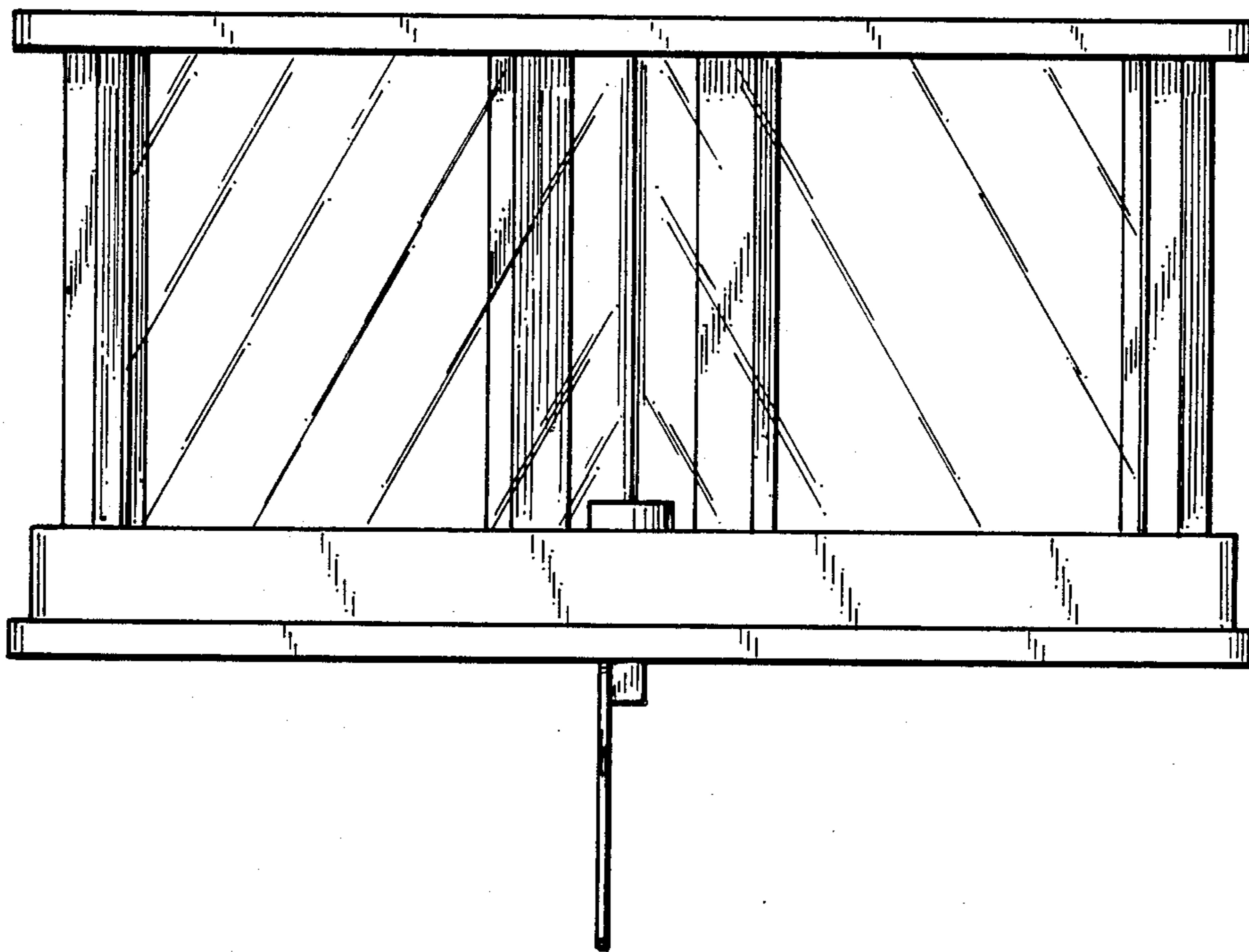


FIG-4

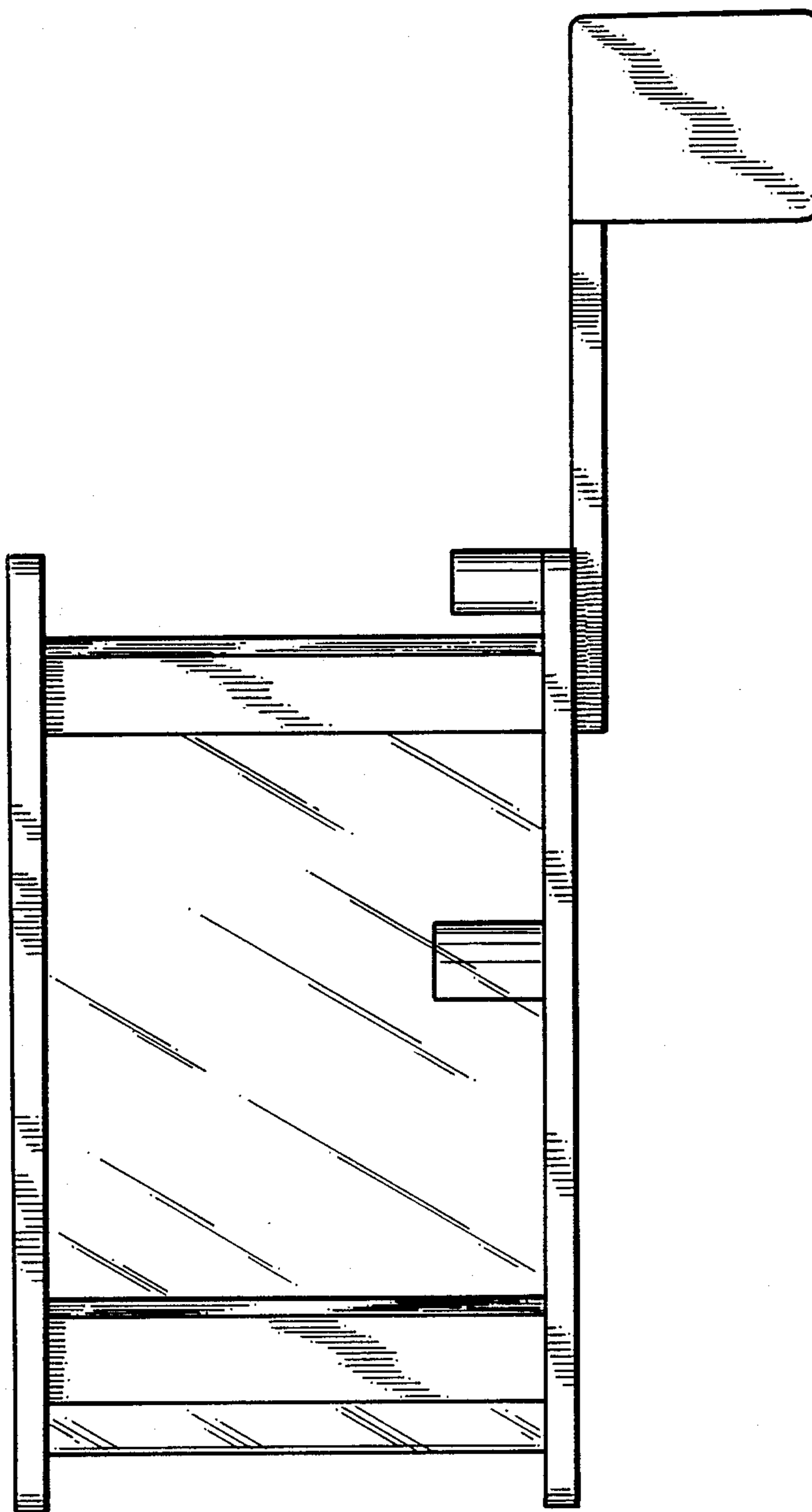


FIG-5

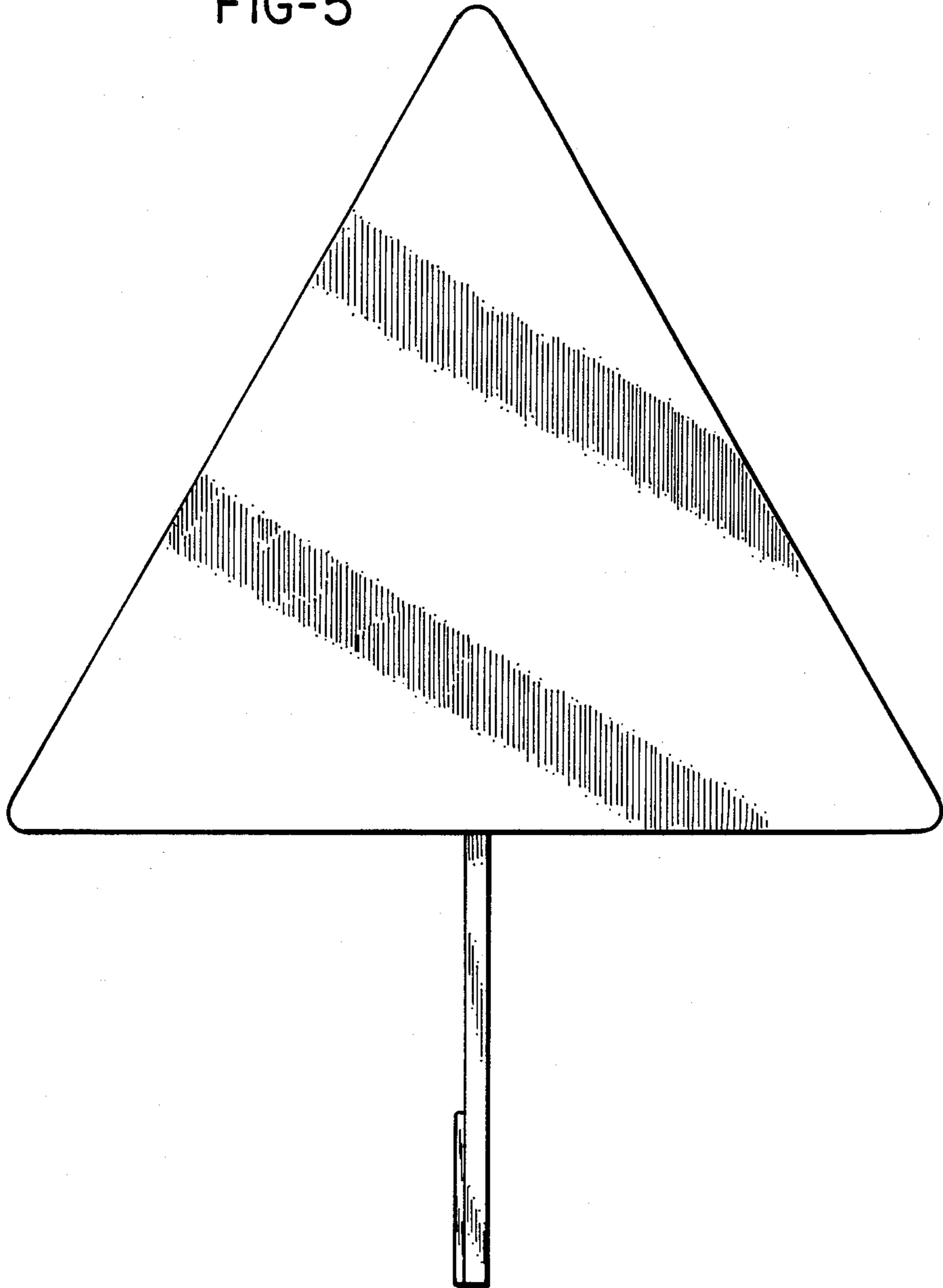


FIG-6

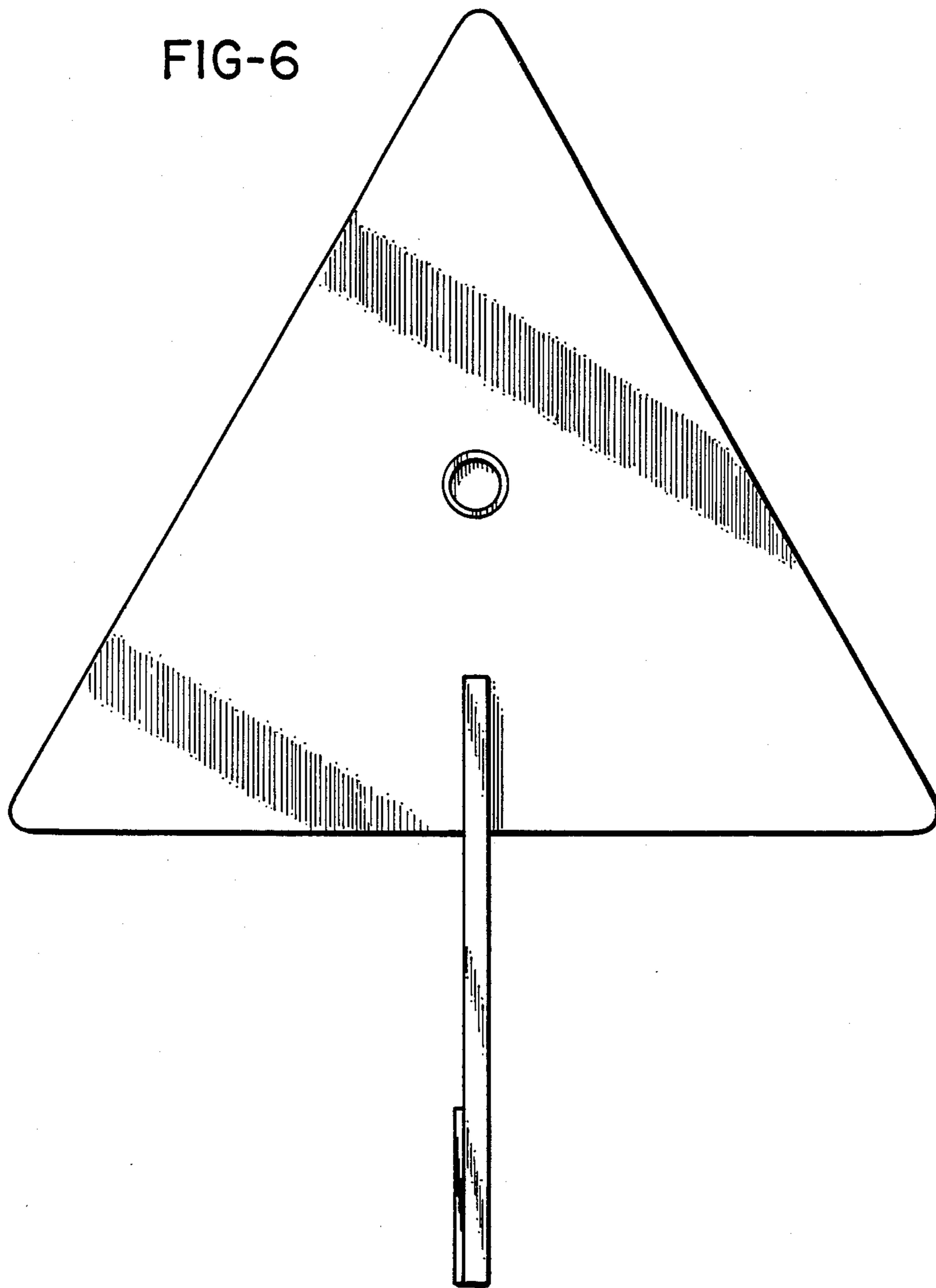


FIG-7

