

[54] POULTRY FEEDER

[75] Inventors: Howard S. Brembeck, Goshen; Ray E. Swartzendruber, Syracuse, both of Ind.

[73] Assignee: CTB, Inc., North Milford, Ind.

[**] Term: 14 Years

[21] Appl. No.: 204,406

[22] Filed: Jun. 9, 1988

[52] U.S. Cl. D30/122

[58] Field of Search D30/121-132; 119/52 AF, 52 B, 53

[56] References Cited

U.S. PATENT DOCUMENTS

3,388,690	6/1968	Hostetler	119/53
3,566,843	3/1971	Van Huis	119/53
3,811,412	5/1974	Morto et al.	119/53
3,827,405	8/1974	Allen	119/53

3,911,868	10/1975	Brembeck	D30/121 X
3,971,340	7/1976	Allen	119/52 AF
4,070,990	1/1978	Swartzendruber	119/53
4,317,430	3/1982	Swartzendruber	119/52 AF
4,337,728	7/1982	Gilst et al.	119/51 R
4,348,988	9/1982	Lawson	119/53
4,401,057	8/1983	Van Gilst	119/52 AF X
4,476,811	10/1984	Swartzendruber .	
4,495,894	1/1985	Swartzendruber	119/51 R
4,527,513	7/1985	Hart et al.	119/52 AF X
4,552,095	11/1985	Segalla	119/53

Primary Examiner—James R. Largen
Attorney, Agent, or Firm—Richard Bushnell

[57] CLAIM

The ornamental design for a poultry feeder, as shown.

DESCRIPTION

FIG. 1 is a front elevational view of a poultry feeder showing our new design; FIG. 2 is a right side elevational view thereof; FIG. 3 is a top plan view thereof; and FIG. 4 is a bottom plan view thereof.

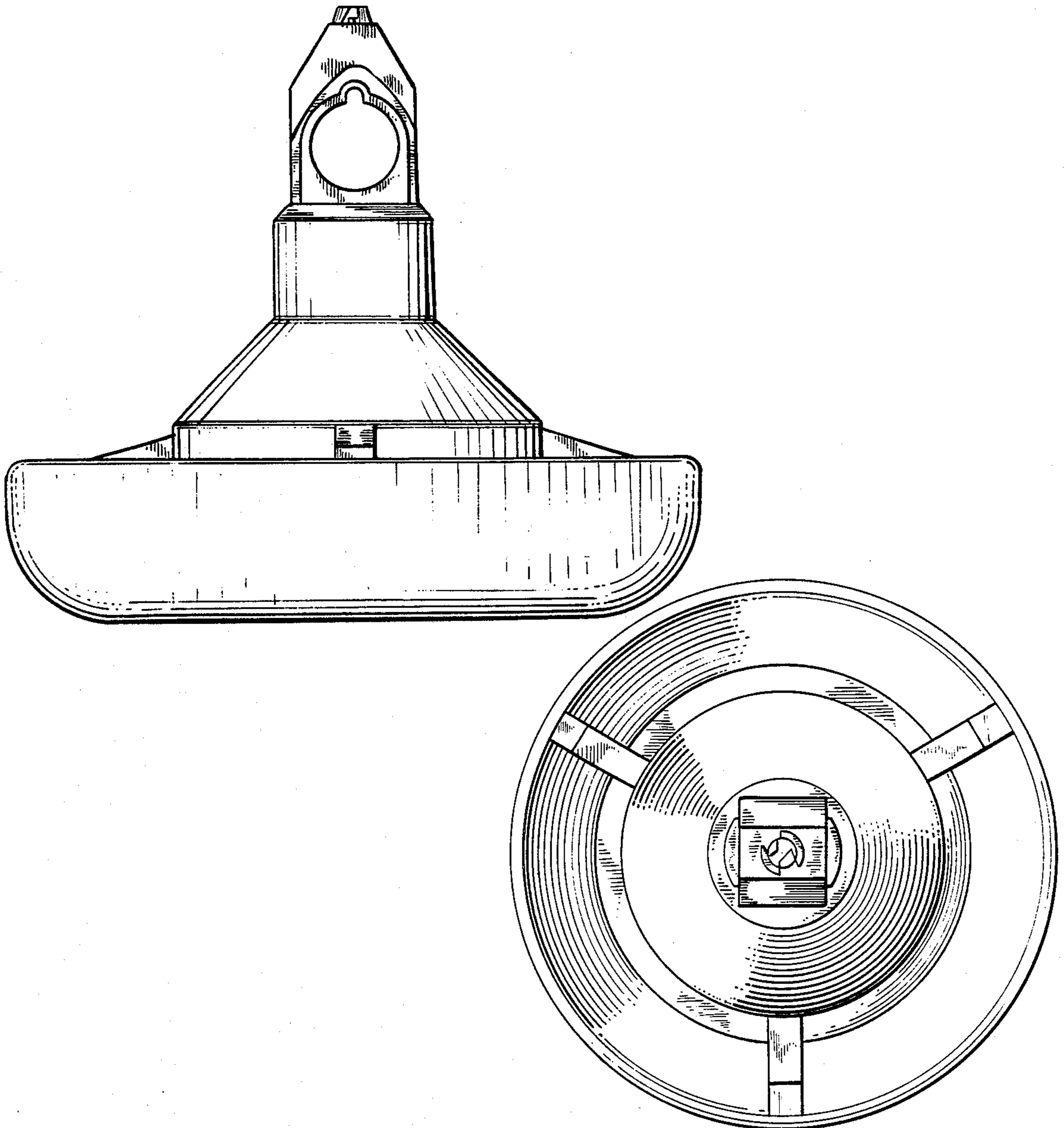


FIG. 1

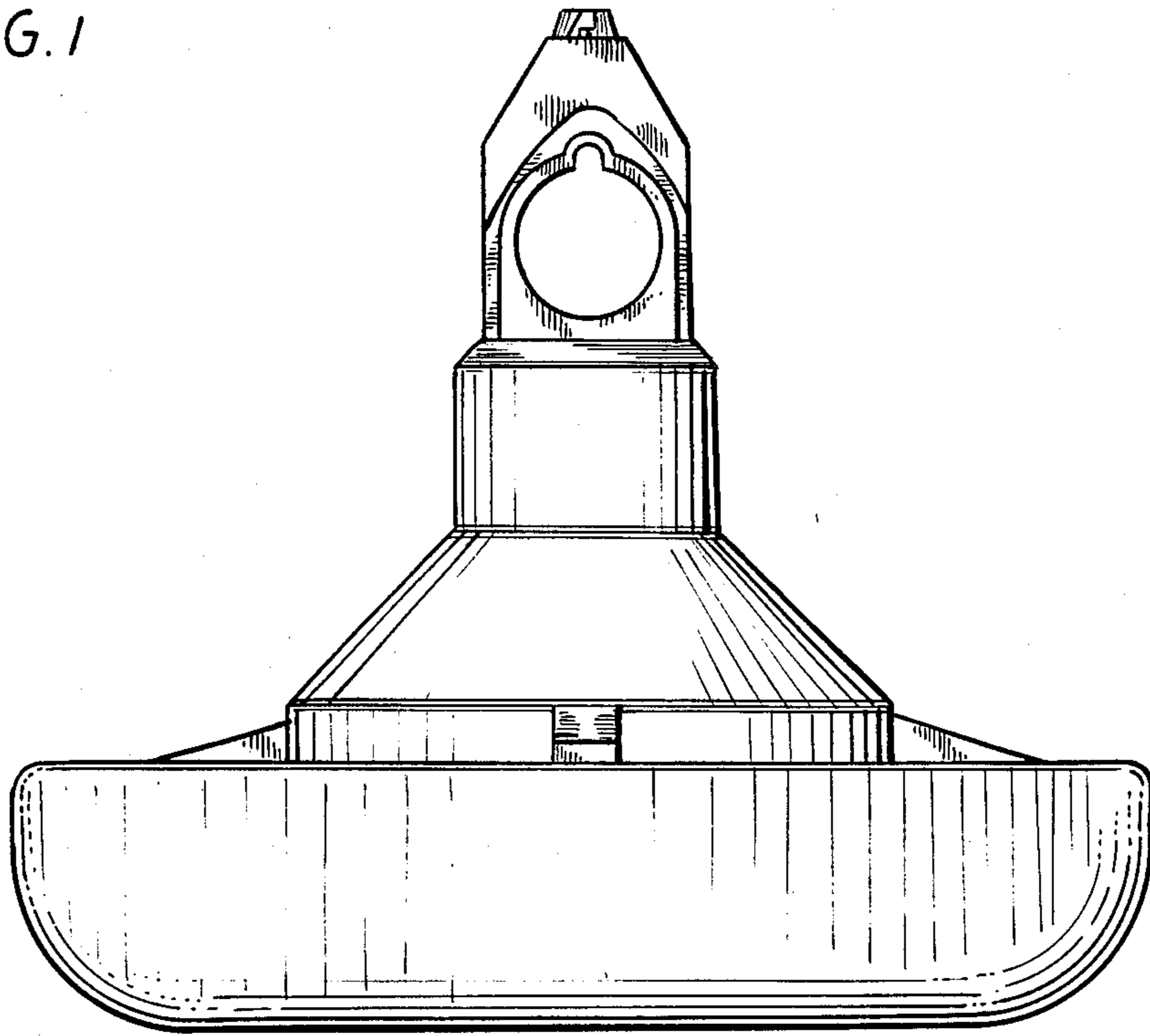


FIG. 2

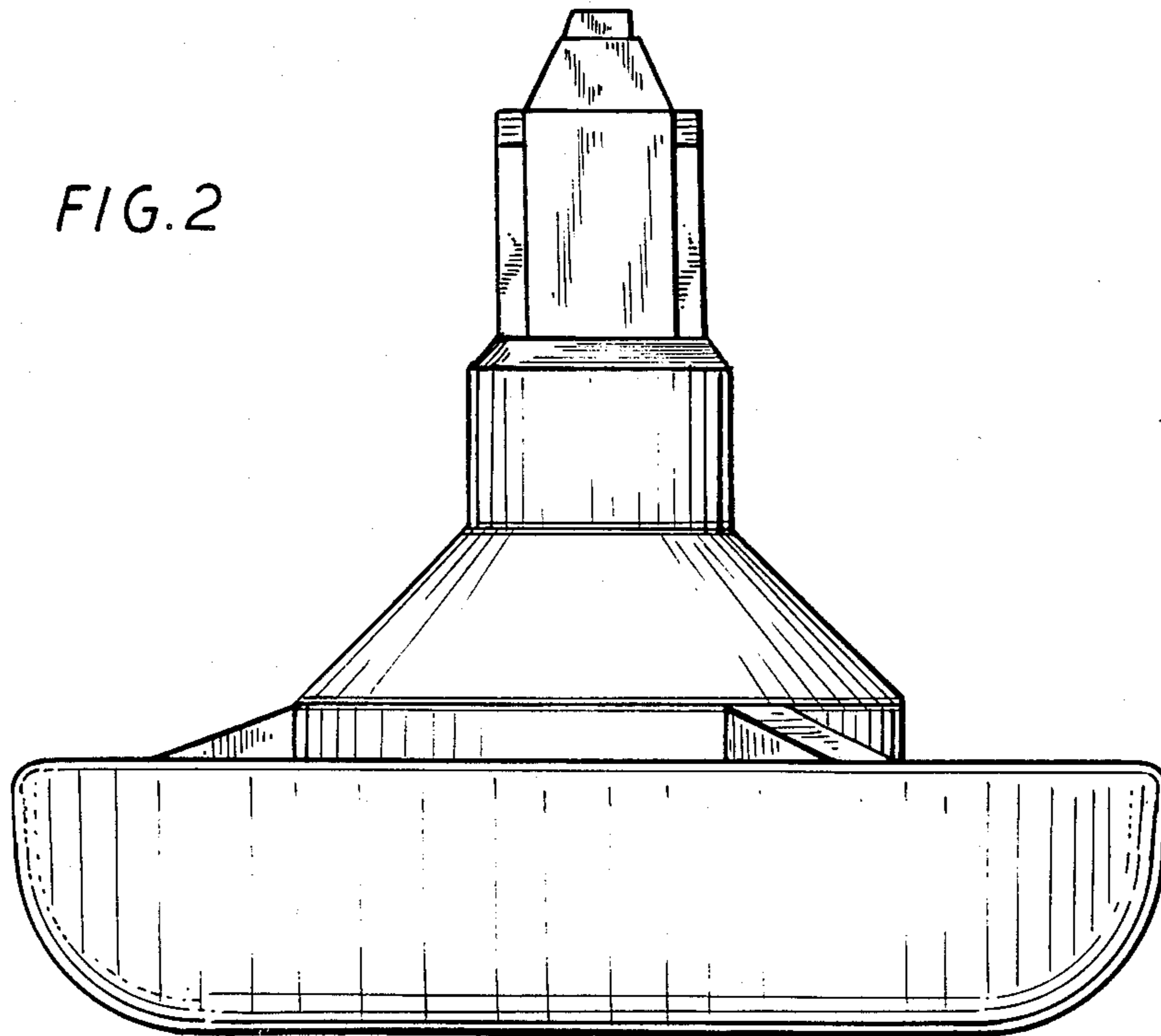


FIG. 3

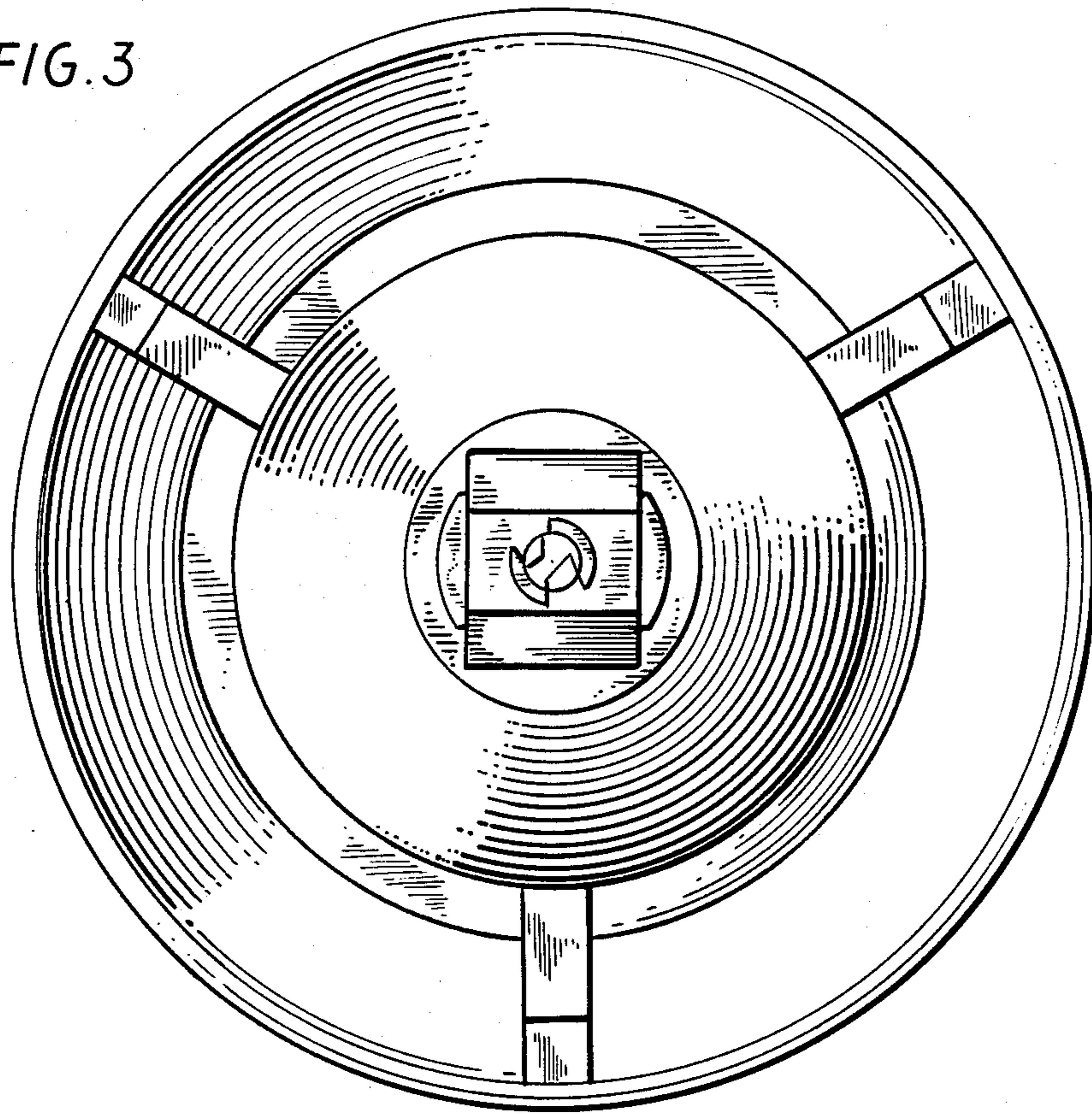


FIG. 4

