

[54] INHALATION MASK

[76] Inventor: Terry L. Shirley, 31471 Paseo Durian, San Juan Capistrano, Calif. 92675

[**] Term: 14 Years

[21] Appl. No.: 77,312

[22] Filed: Jul. 23, 1987

[52] U.S. Cl. D29/7; D29/8

[58] Field of Search D29/6-9; 128/205.25, 205.24, 206.24, 205.17, 207.11, 206.17, 206.28, 201.19, 206.12, 202.23

[56] References Cited

U.S. PATENT DOCUMENTS

D. 258,994	4/1981	Grane	D29/8
2,047,216	7/1936	McKesson	128/202.23
2,944,546	7/1960	Zaherl et al.	D29/7
4,706,683	11/1987	Chilton et al.	128/205.25

FOREIGN PATENT DOCUMENTS

552798	2/1958	Canada	128/206.24
--------	--------	--------	-------	------------

Primary Examiner—Wallace R. Burke
Assistant Examiner—Kay H. Chin
Attorney, Agent, or Firm—Stetina and Brunda

[57] CLAIM

The ornamental design for an inhalation mask, as shown and described.

DESCRIPTION

FIG. 1 is a front elevational view of an inhalation mask showing my new design;
FIG. 2 is a side elevational view thereof, the opposite side elevational view being a mirror image of that shown;

FIG. 3 is rear elevational view thereof;
FIG. 3a is a cross sectional view taken about lines 3a—3a of FIG. 3;

FIG. 4 is a top plan view thereof;
FIG. 5 is a bottom plan view thereof;
FIG. 6 is a front elevational view of a second embodiment of an inhalation mask, the sole difference from the first embodiment being in the one way valve mounted thereon;

FIG. 7 is a side elevational view of FIG. 6, the opposite side elevational view being a mirror image of that shown;

FIG. 8 is a rear elevation view of FIG. 6;
FIG. 8a is a cross sectional view taken about lines 8a—8a of FIG. 8;

FIG. 9 is a top plan view of FIG. 6; and
FIG. 10 is a bottom plan view of FIG. 6.

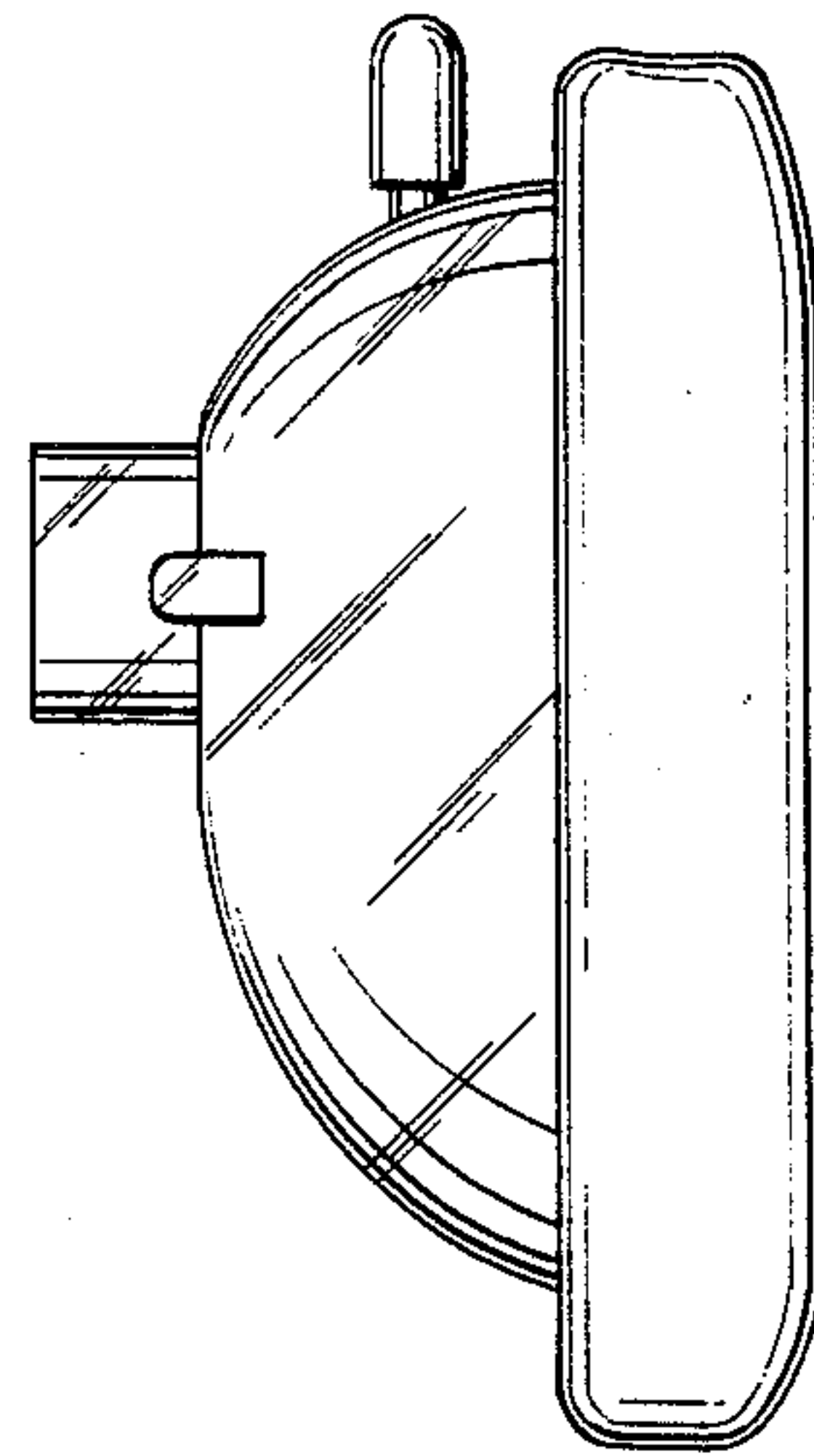
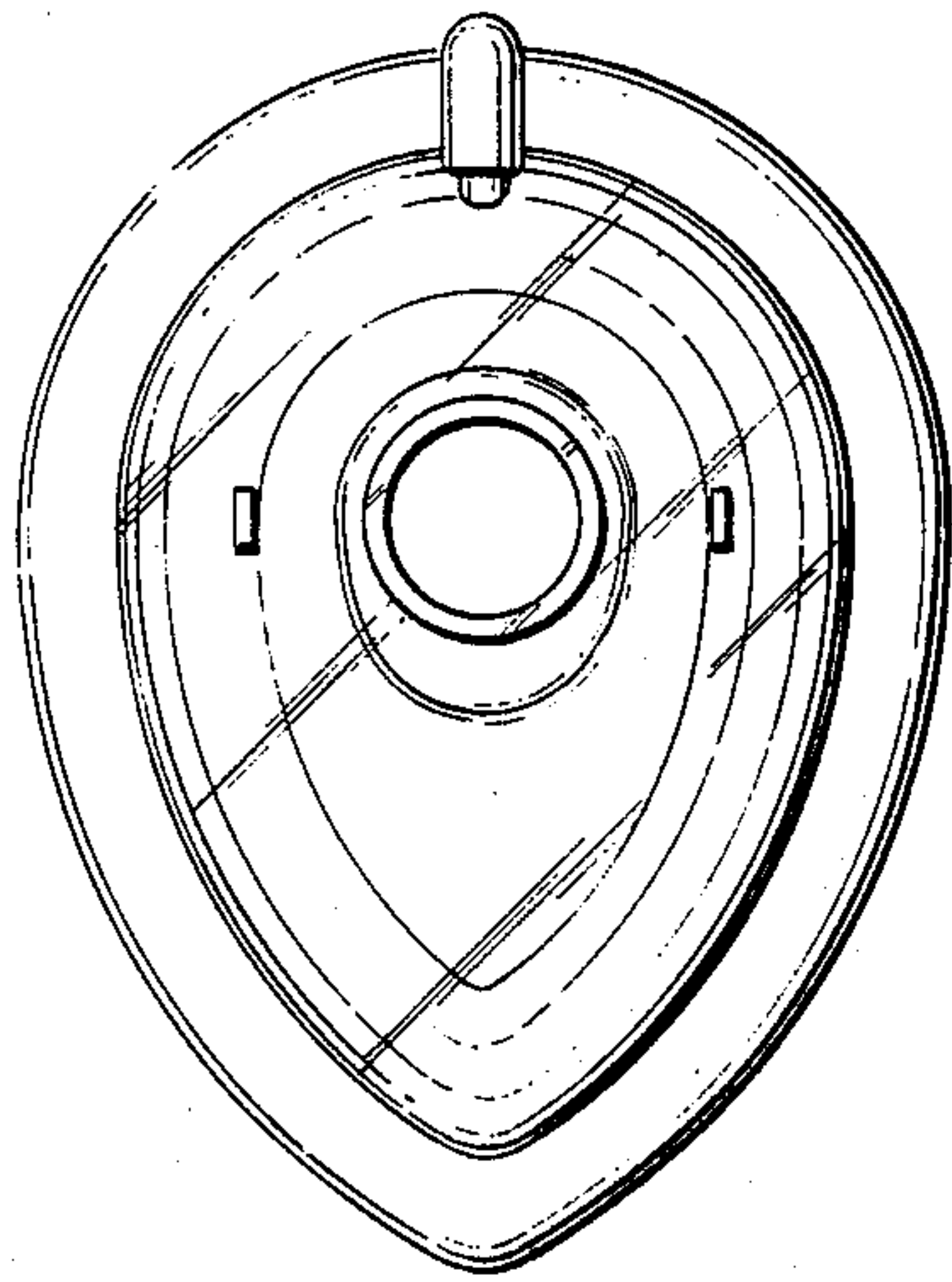


Fig. 4

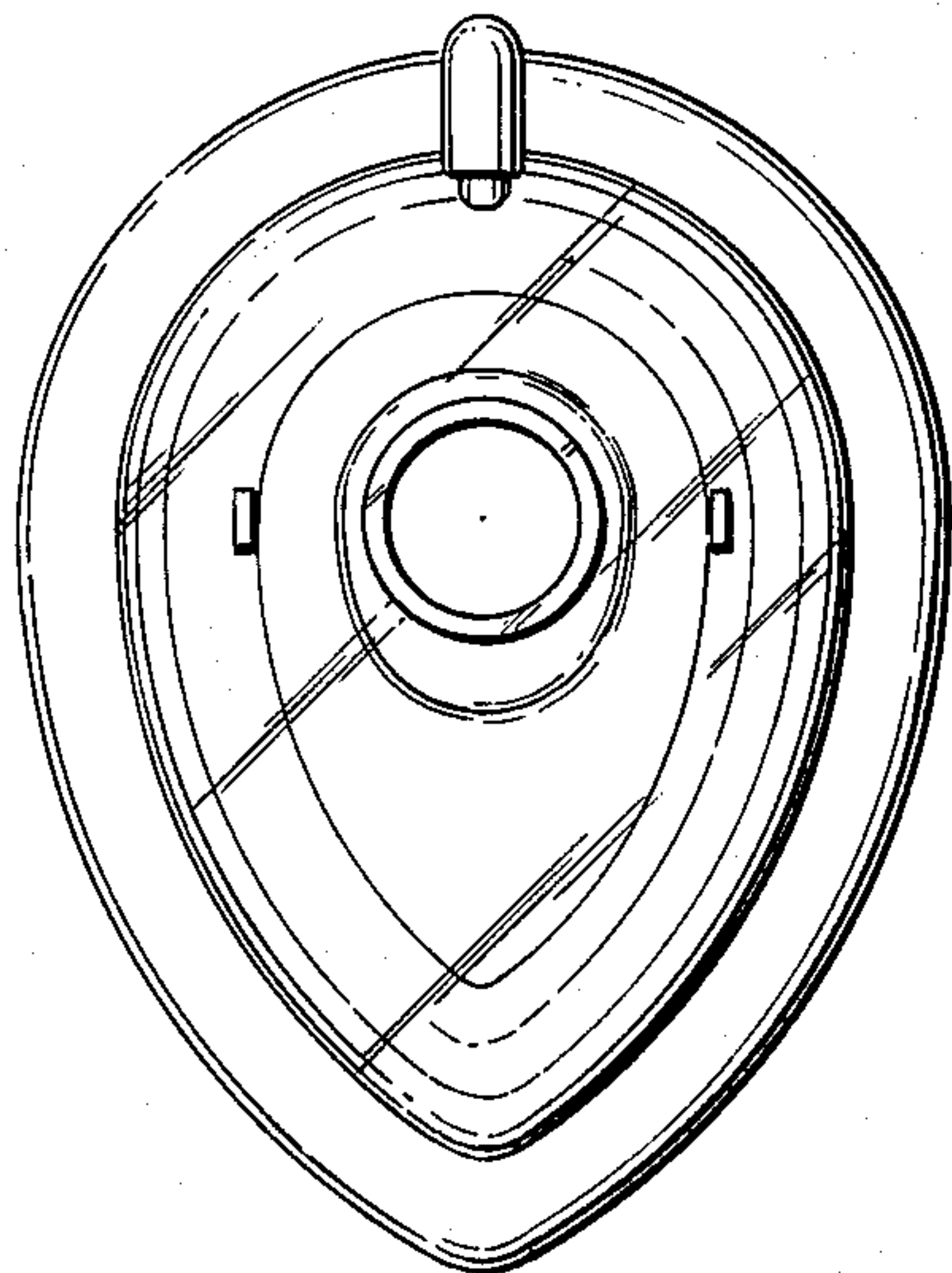
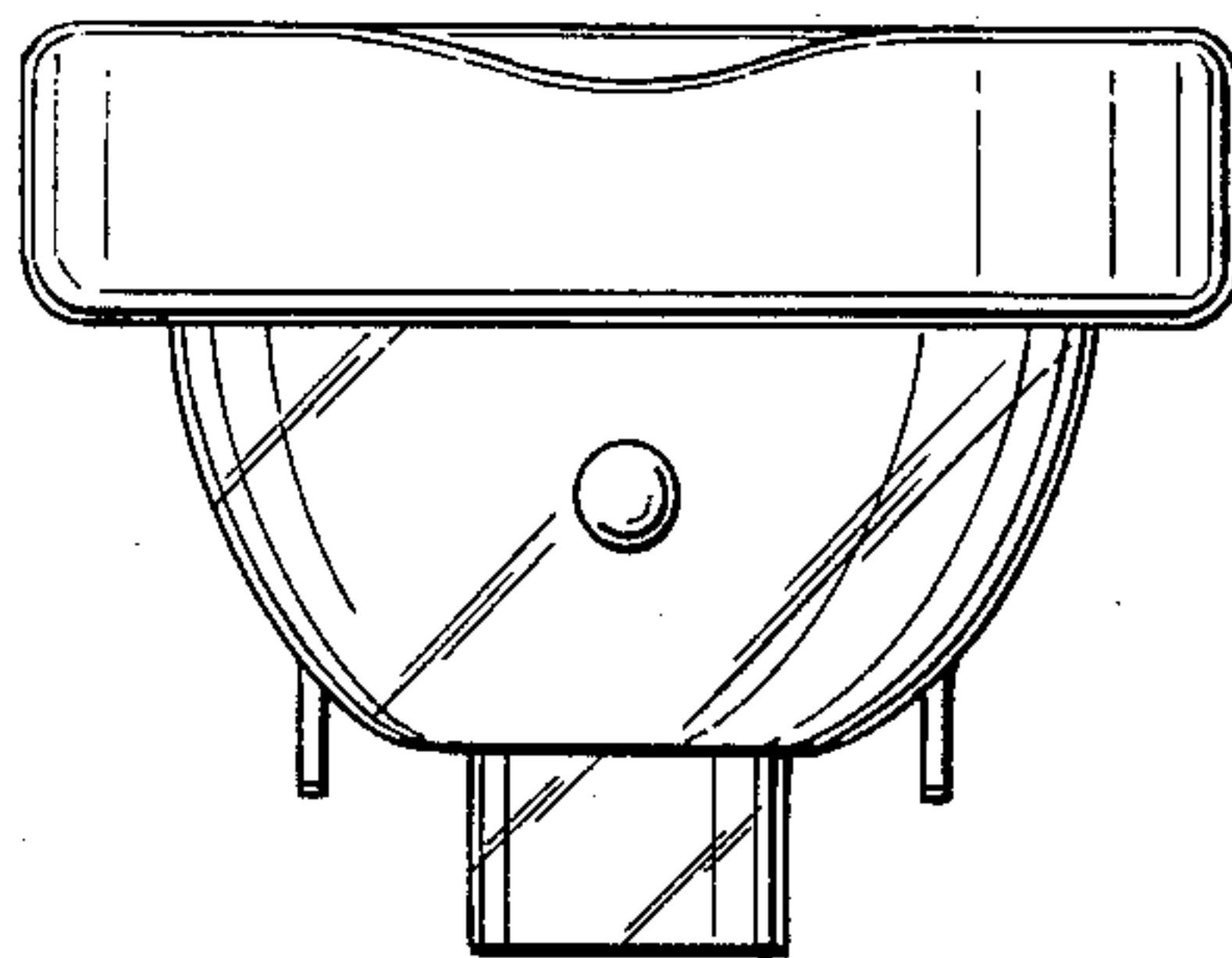


Fig. 1

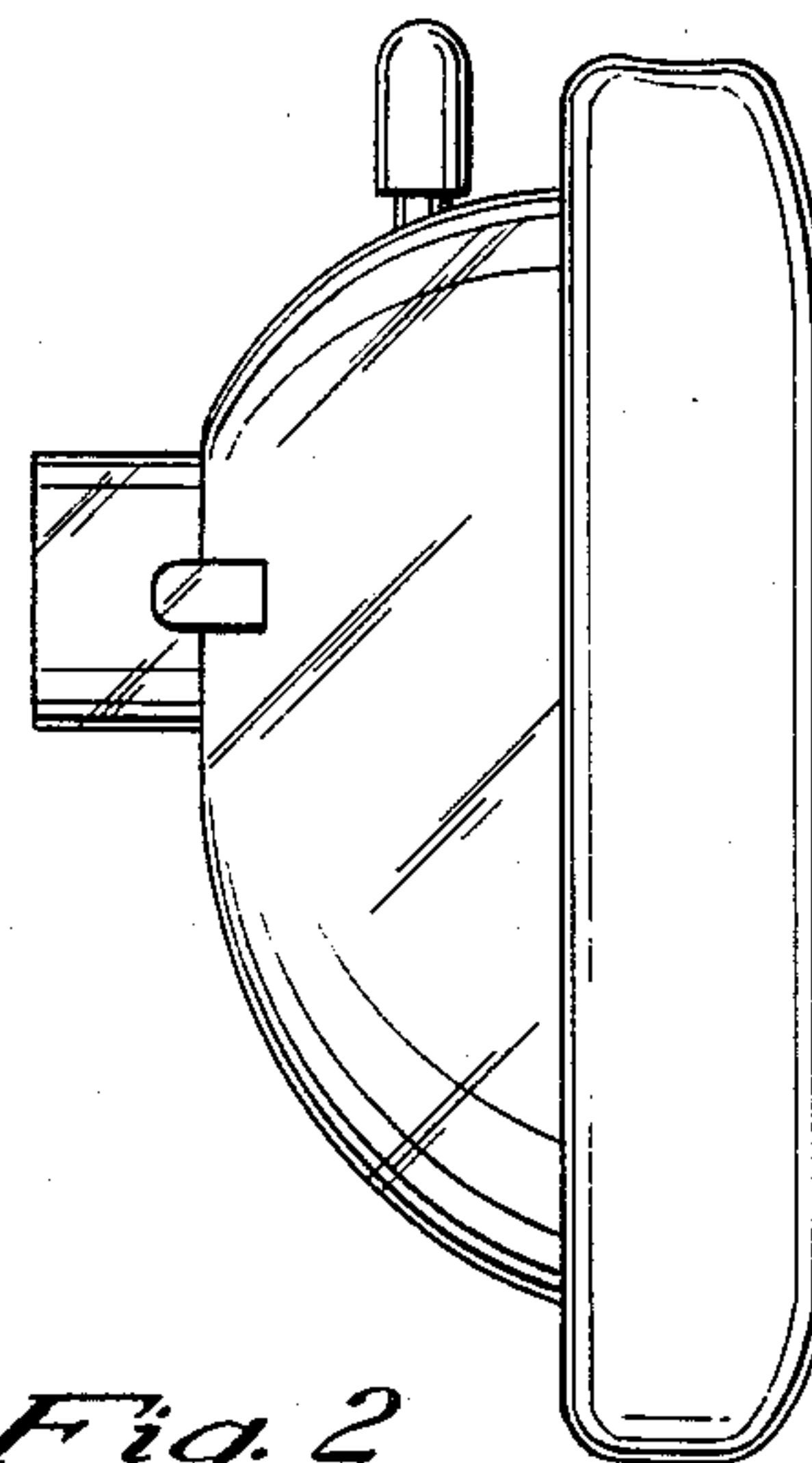


Fig. 2



Fig. 3a

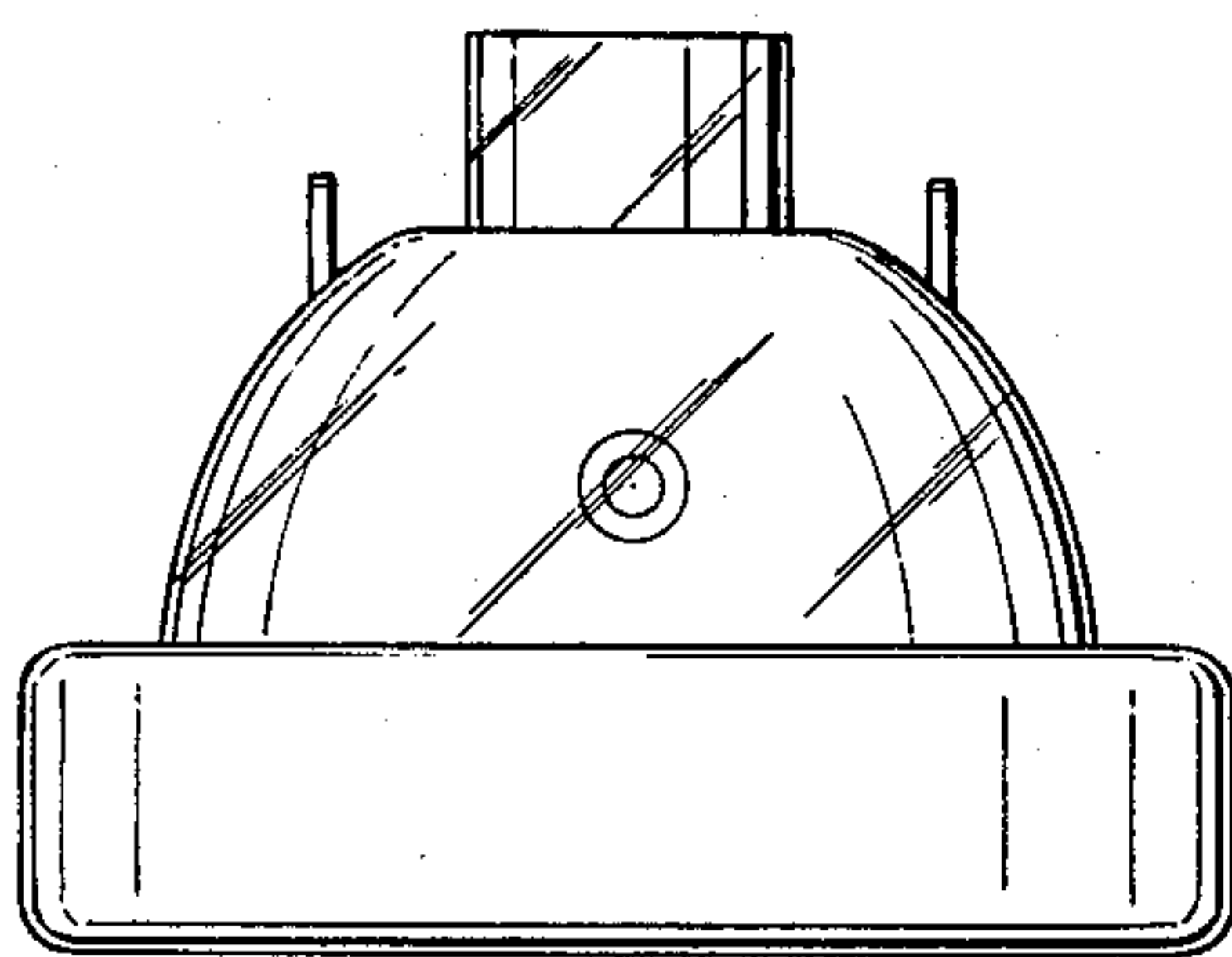


Fig. 5

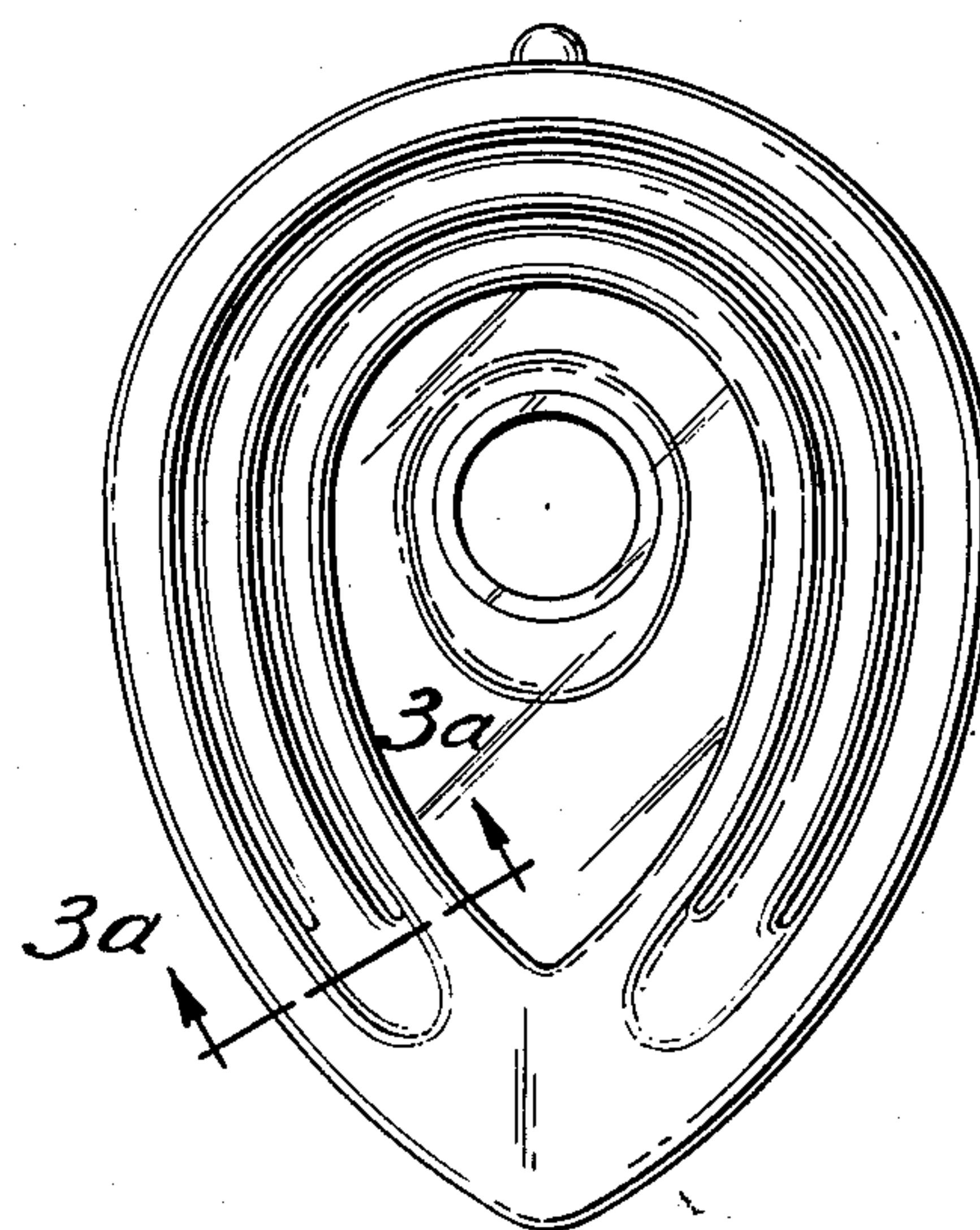


Fig. 3

Fig. 9

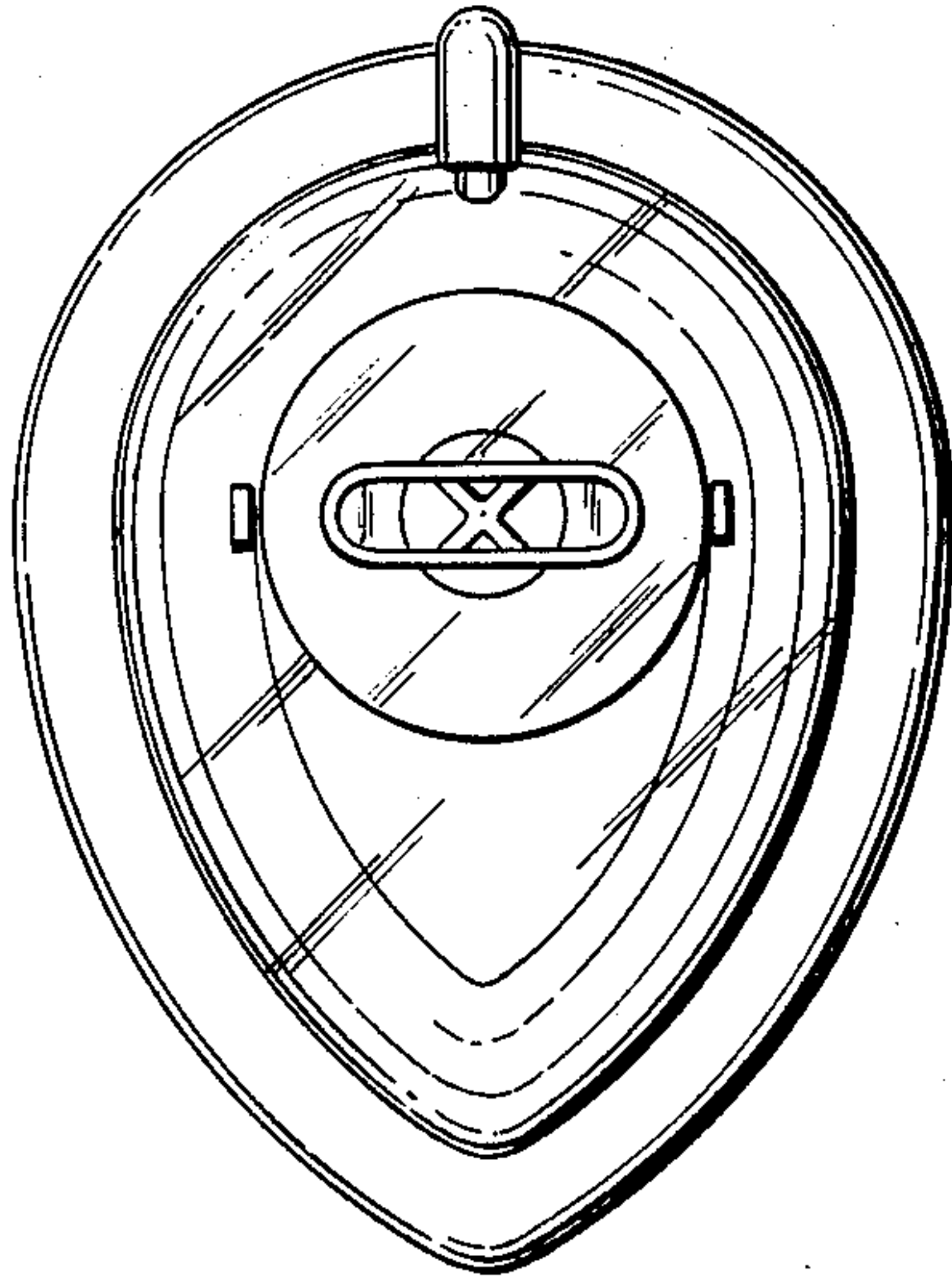
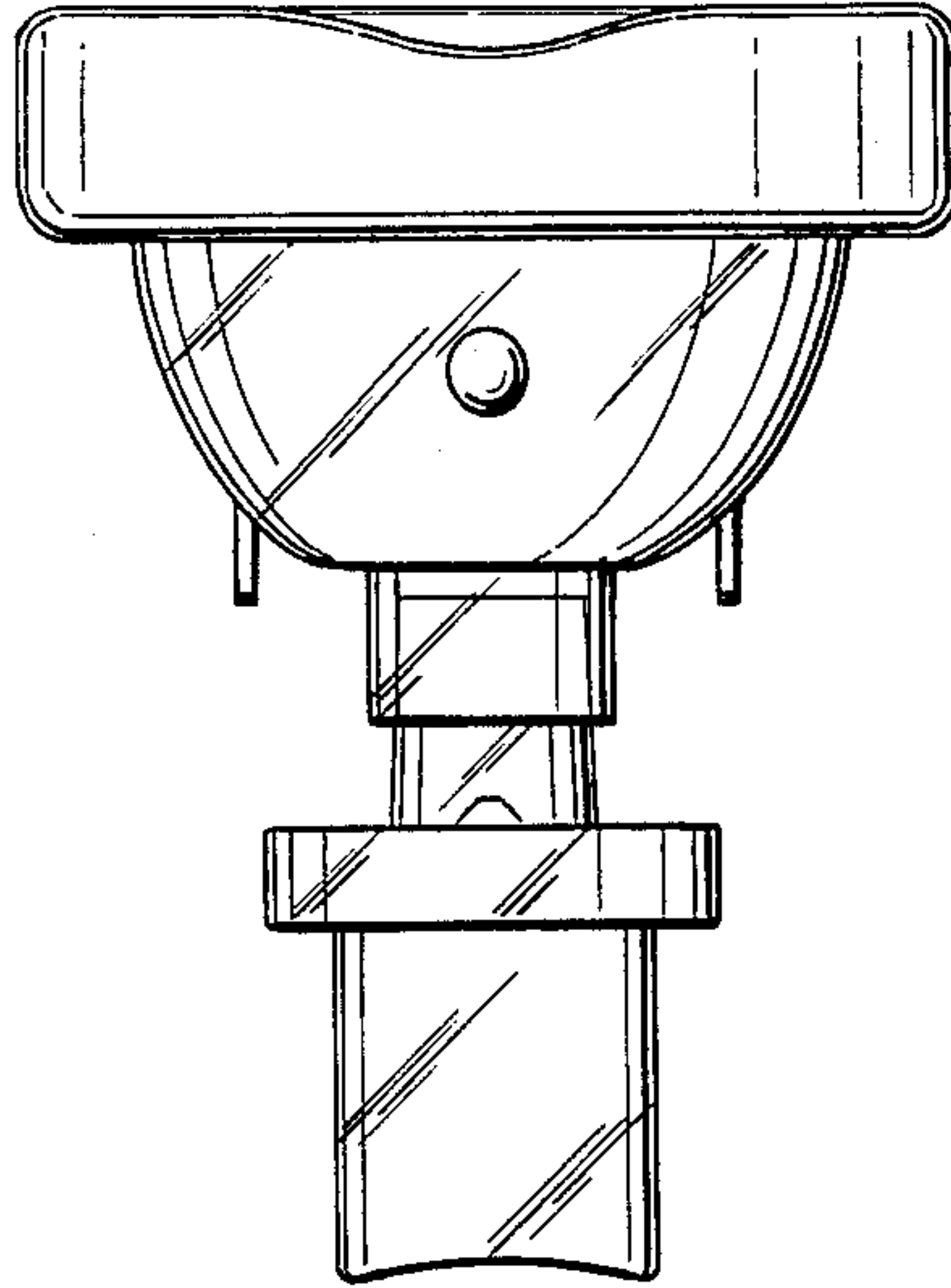


Fig. 6

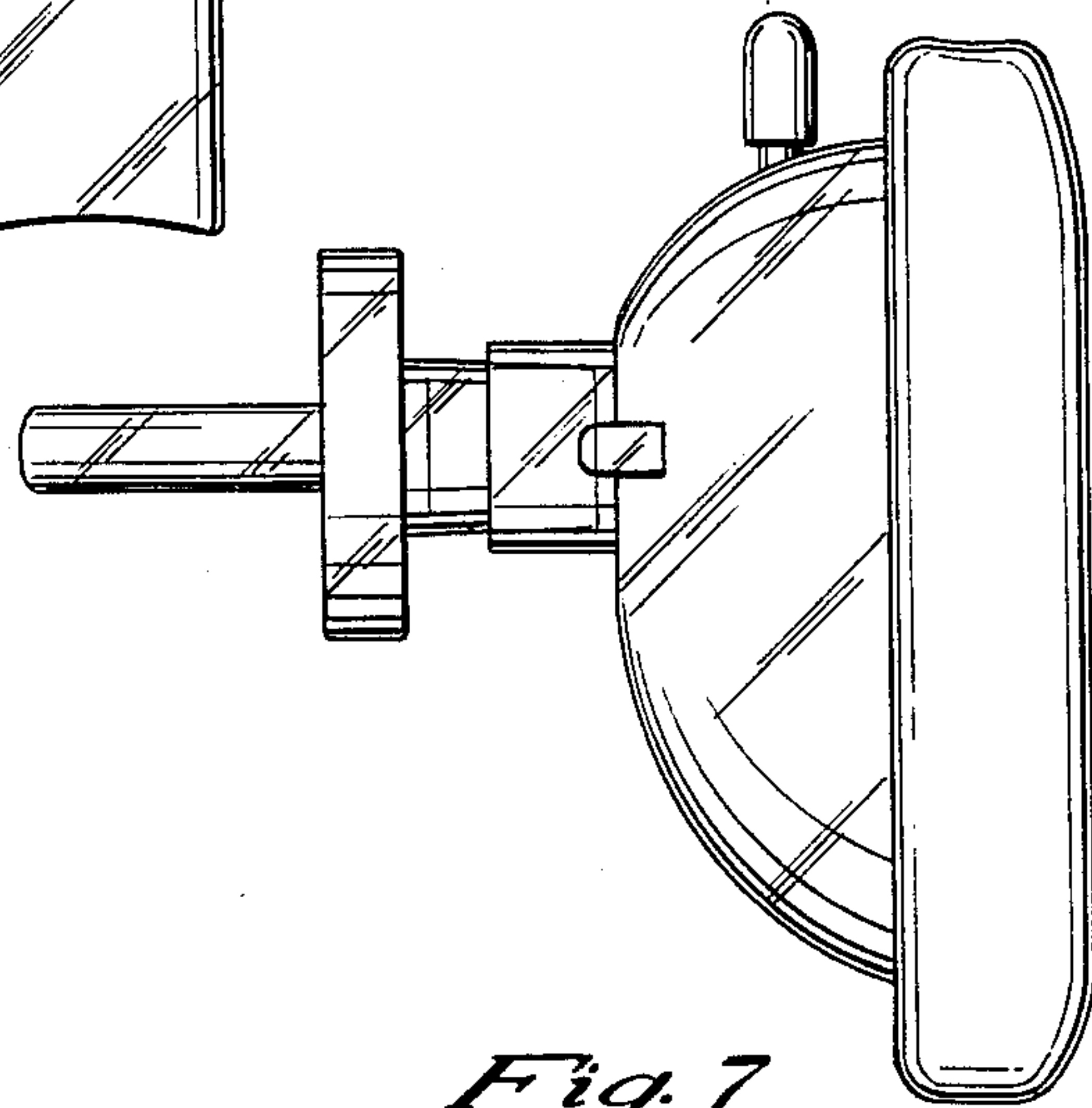


Fig. 7



Fig. 8a

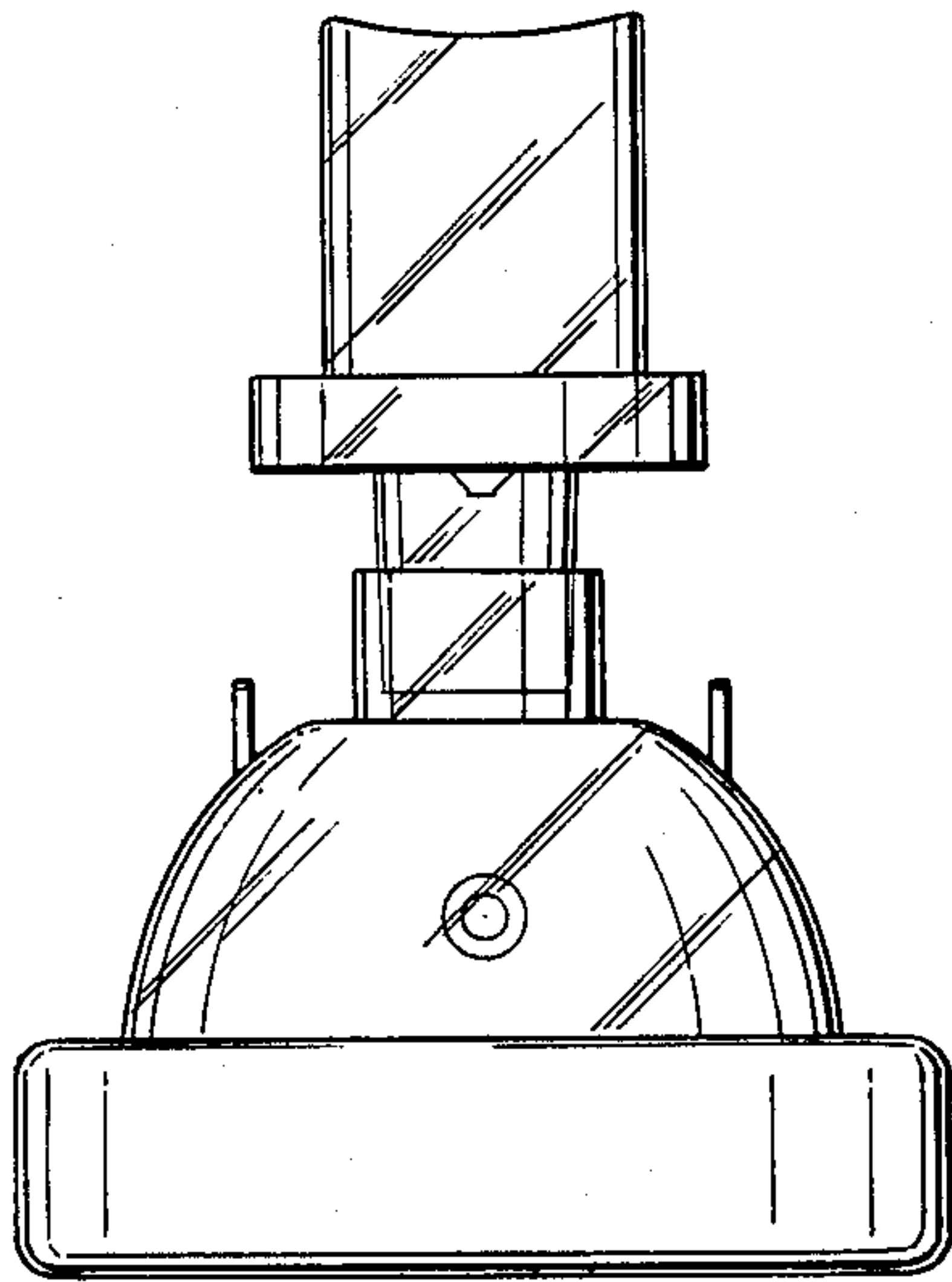


Fig. 10

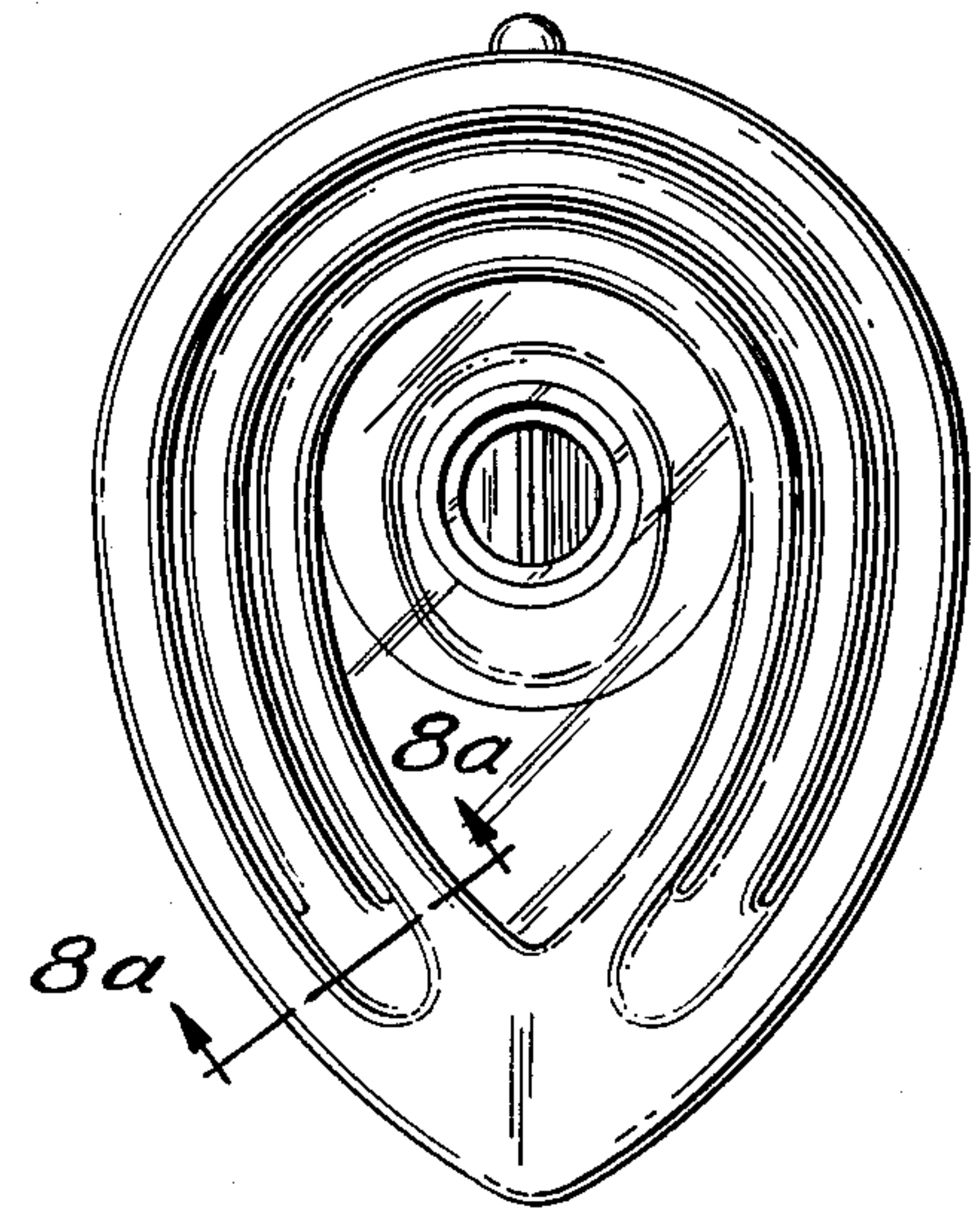


Fig. 8