

[54] COSMETIC CASE

[75] Inventor: Karena Bakic, Varese, Italy

[73] Assignee: Cosmede Anstalt, Vaduz, Liechtenstein

[**] Term: 14 Years

[21] Appl. No.: 37,441

[22] Filed: Apr. 13, 1987

[30] Foreign Application Priority Data

Nov. 10, 1986 [DE] Fed. Rep. of Germany URA1461/86

[52] U.S. Cl. D28/83

[58] Field of Search D28/38, 61, 73-91; D3/39; D9/420; 220/DIG. 26; 206/235, 385, 581, 823; 132/286, 288, 293, 294, 297-301, 303-305, 313-318; 362/135-137

[56] References Cited

U.S. PATENT DOCUMENTS

D. 81,132	5/1930	Gebauer	D28/78
D. 111,529	9/1938	Wewetzer	D28/78
D. 240,600	7/1976	Takacs	D9/420
D. 241,176	8/1976	Kingsford	D28/78
D. 248,675	7/1978	Gaudiche	D28/78
D. 282,300	1/1986	Bakic	D28/83
D. 291,608	8/1987	Chevassus	D28/83

Primary Examiner—Louis S. Zarfaz

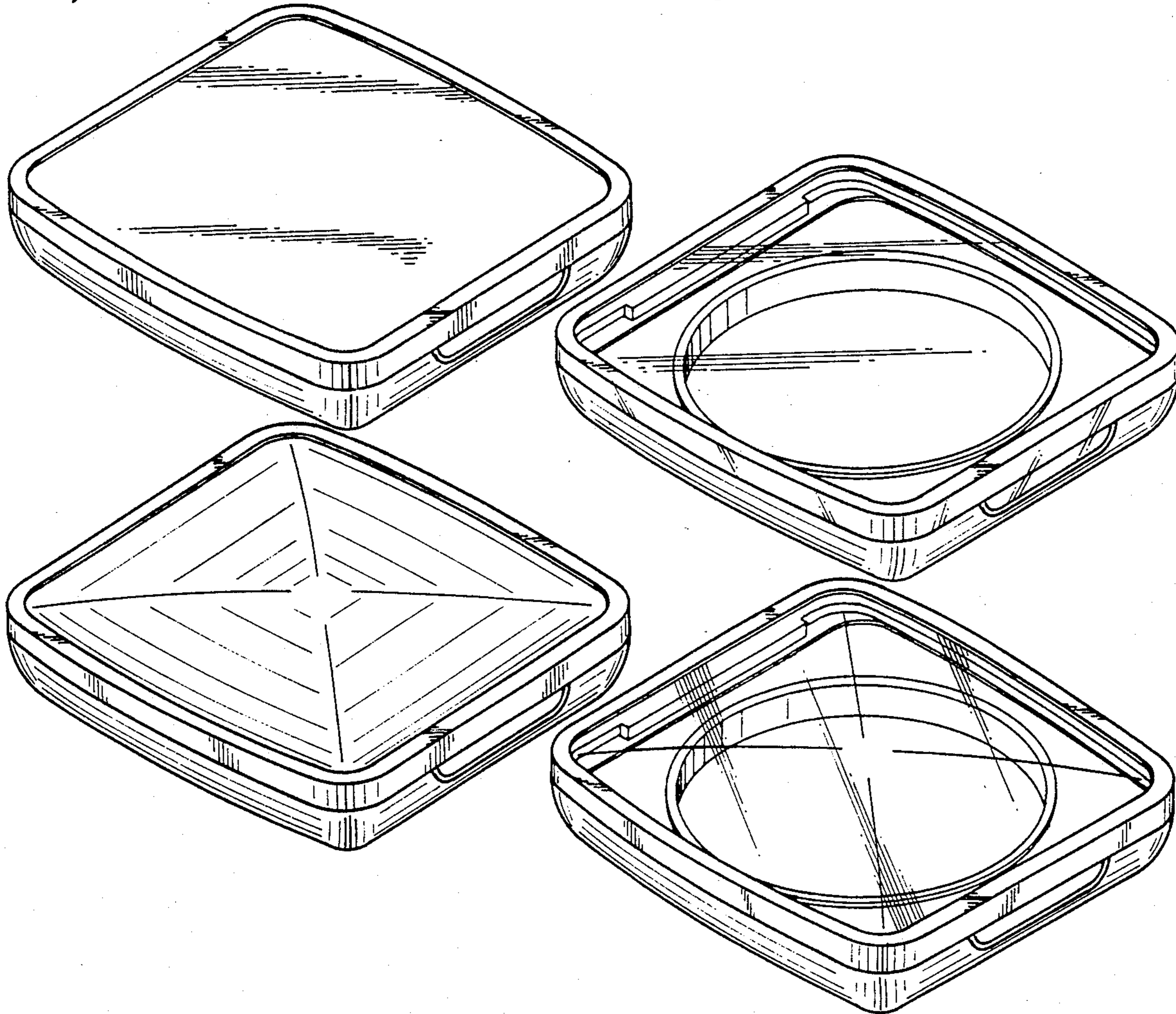
Attorney, Agent, or Firm—Kenyon & Kenyon

[57] CLAIM

The ornamental design for cosmetic case, as shown.

DESCRIPTION

FIG. 1 is a top left front perspective view of a cosmetic case showing my new design;
 FIG. 2 is a bottom left rear perspective view thereof;
 FIG. 3 is a front elevational view thereof;
 FIG. 4 is a left side elevational view thereof;
 FIG. 5 is a top plan view thereof;
 FIG. 6 is a rear elevational view thereof;
 FIG. 7 is a bottom plan view thereof;
 FIG. 8 is a top left front perspective view of a cosmetic case showing a second embodiment of my new design with transparent cover;
 FIG. 9 is a front elevational view thereof;
 FIG. 10 is a left side elevational view thereof;
 FIG. 11 is a top plan view thereof;
 FIG. 12 is a rear elevational view thereof;
 FIG. 13 is a top left front perspective view of a cosmetic case showing a third embodiment of my new design with convex cover;
 FIG. 14 is a front elevational view thereof;
 FIG. 15 is a left elevational view thereof;
 FIG. 16 is a rear elevational view thereof;
 FIG. 17 is a top left front perspective view of a cosmetic case showing a fourth embodiment of my new design with transparent convex cover.



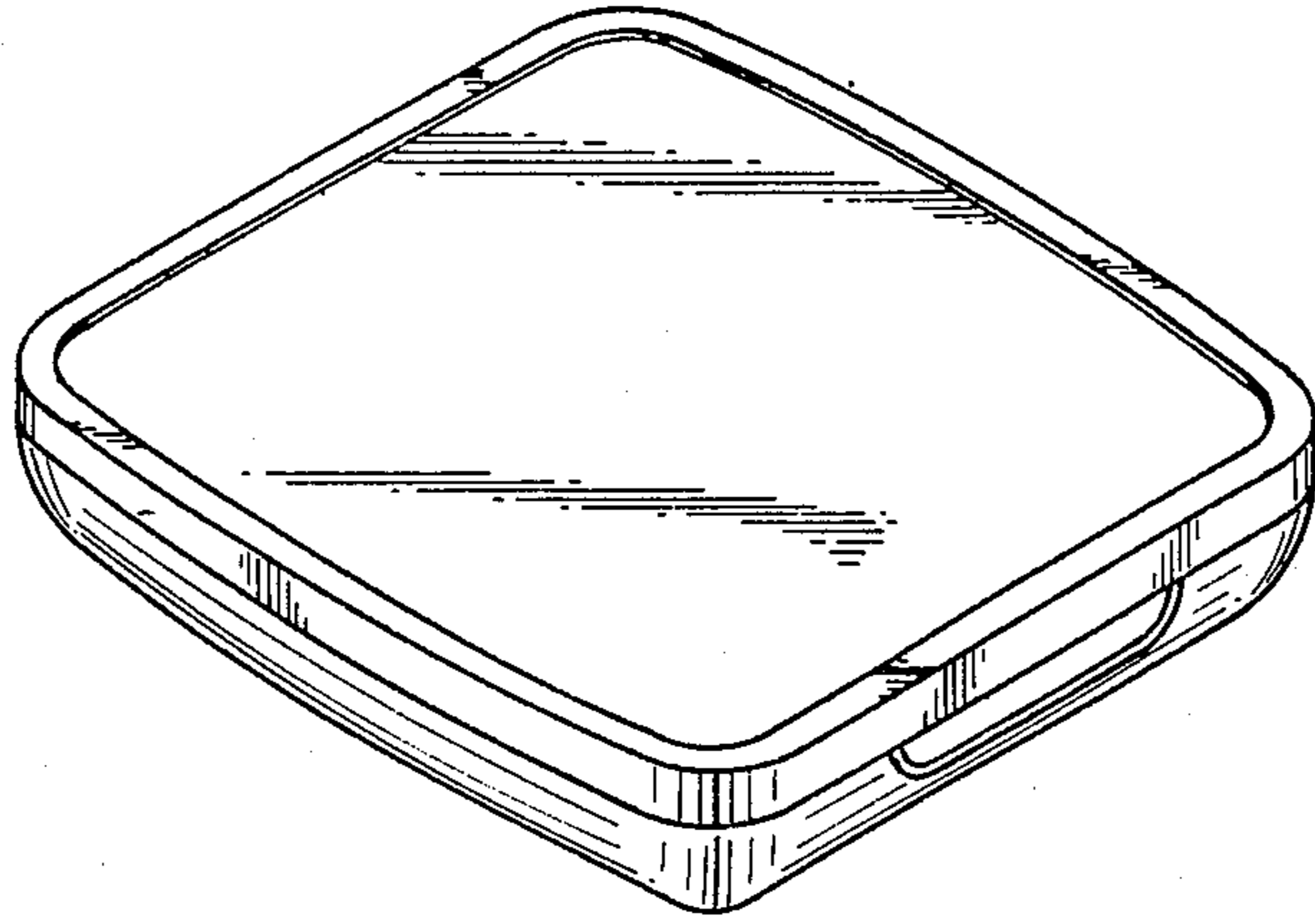


FIG. 1

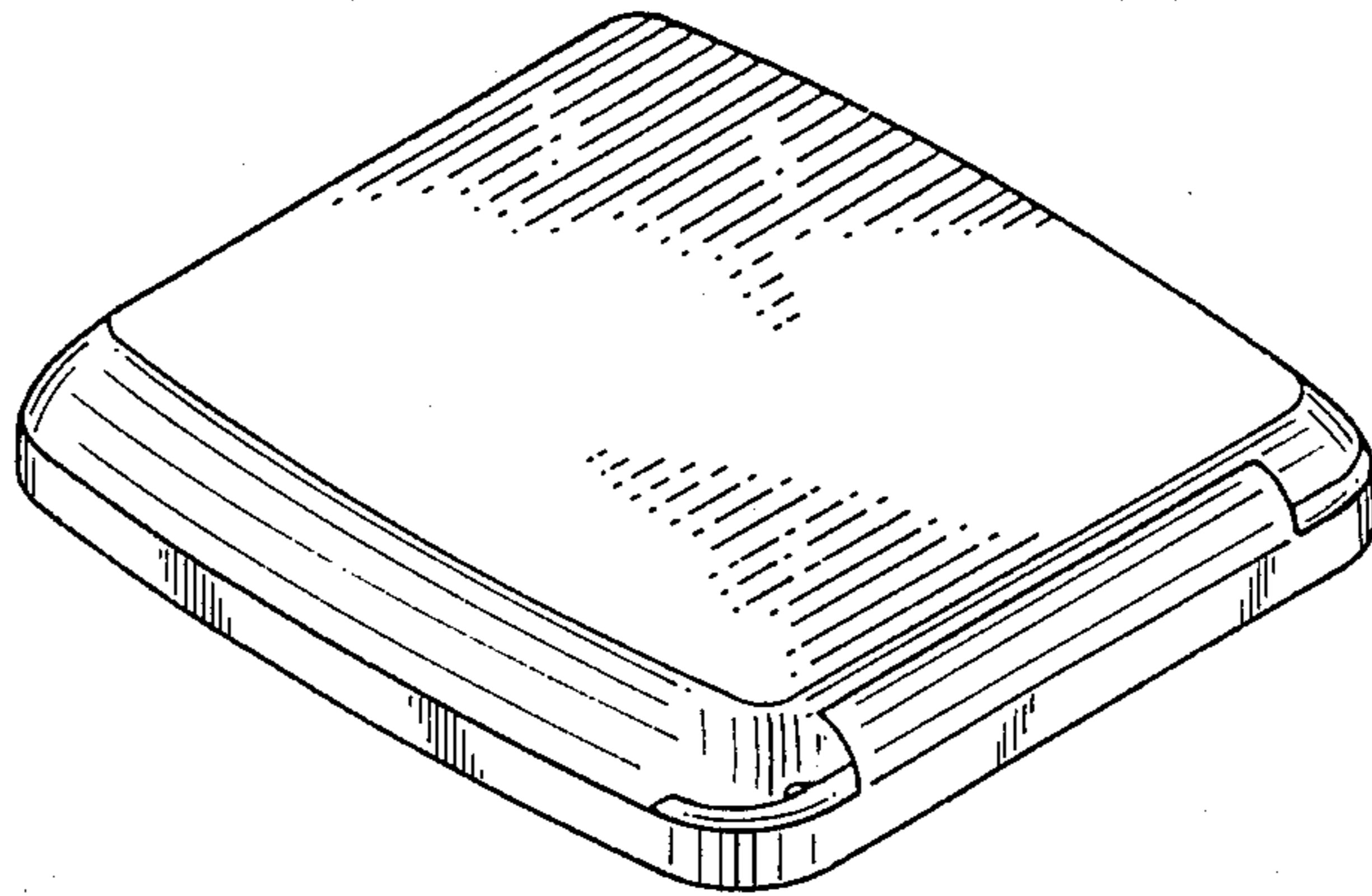


FIG. 2

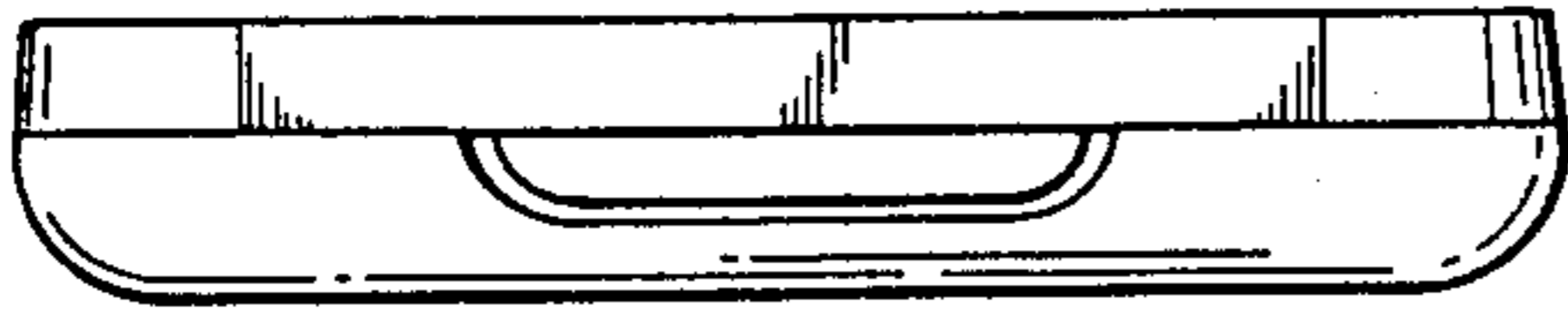


FIG. 3

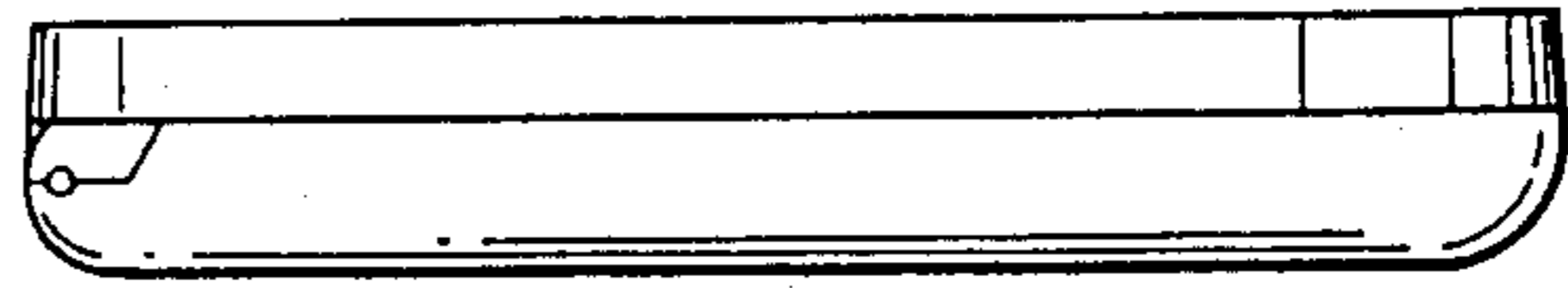


FIG. 4

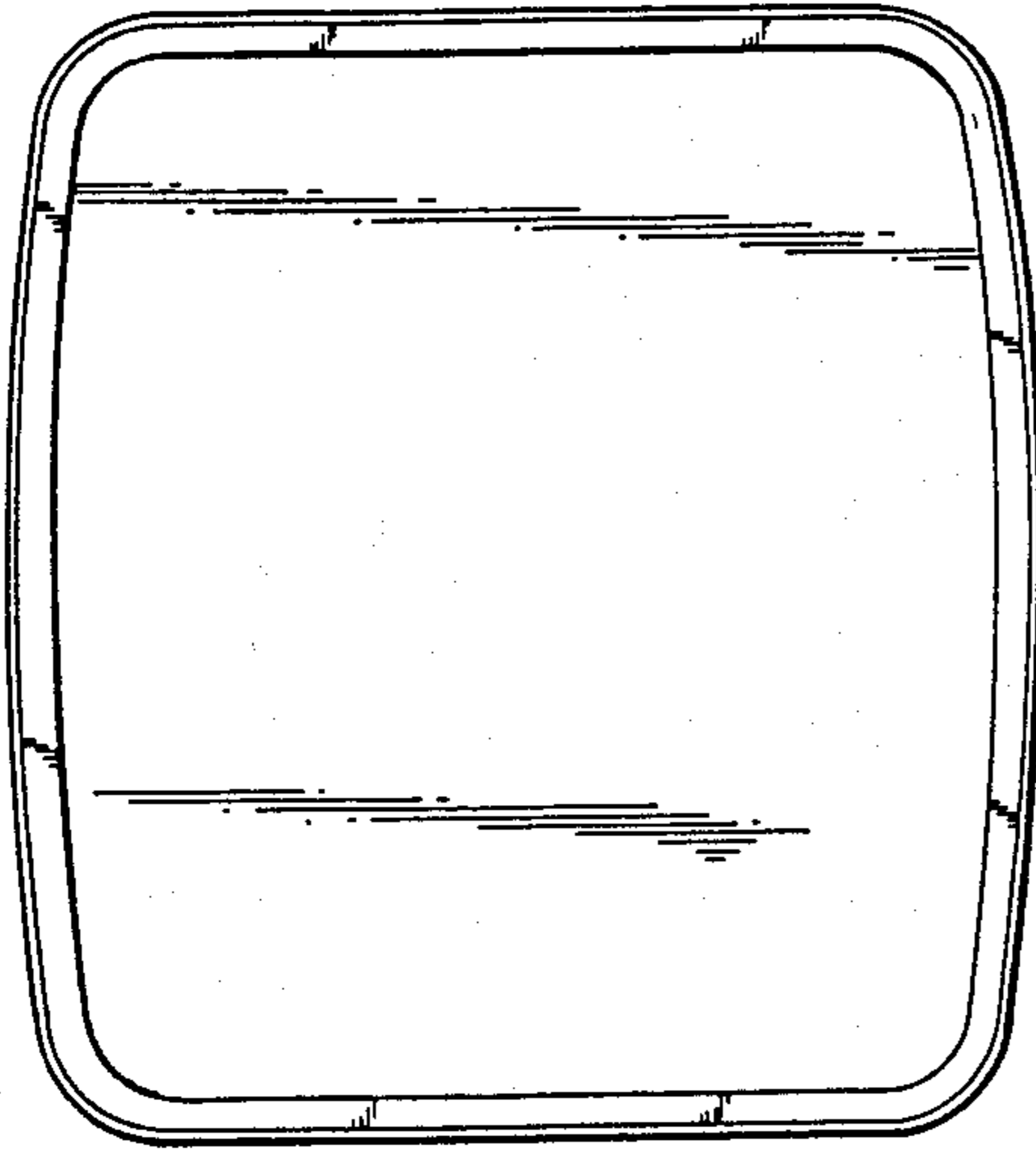


FIG. 5



FIG. 6

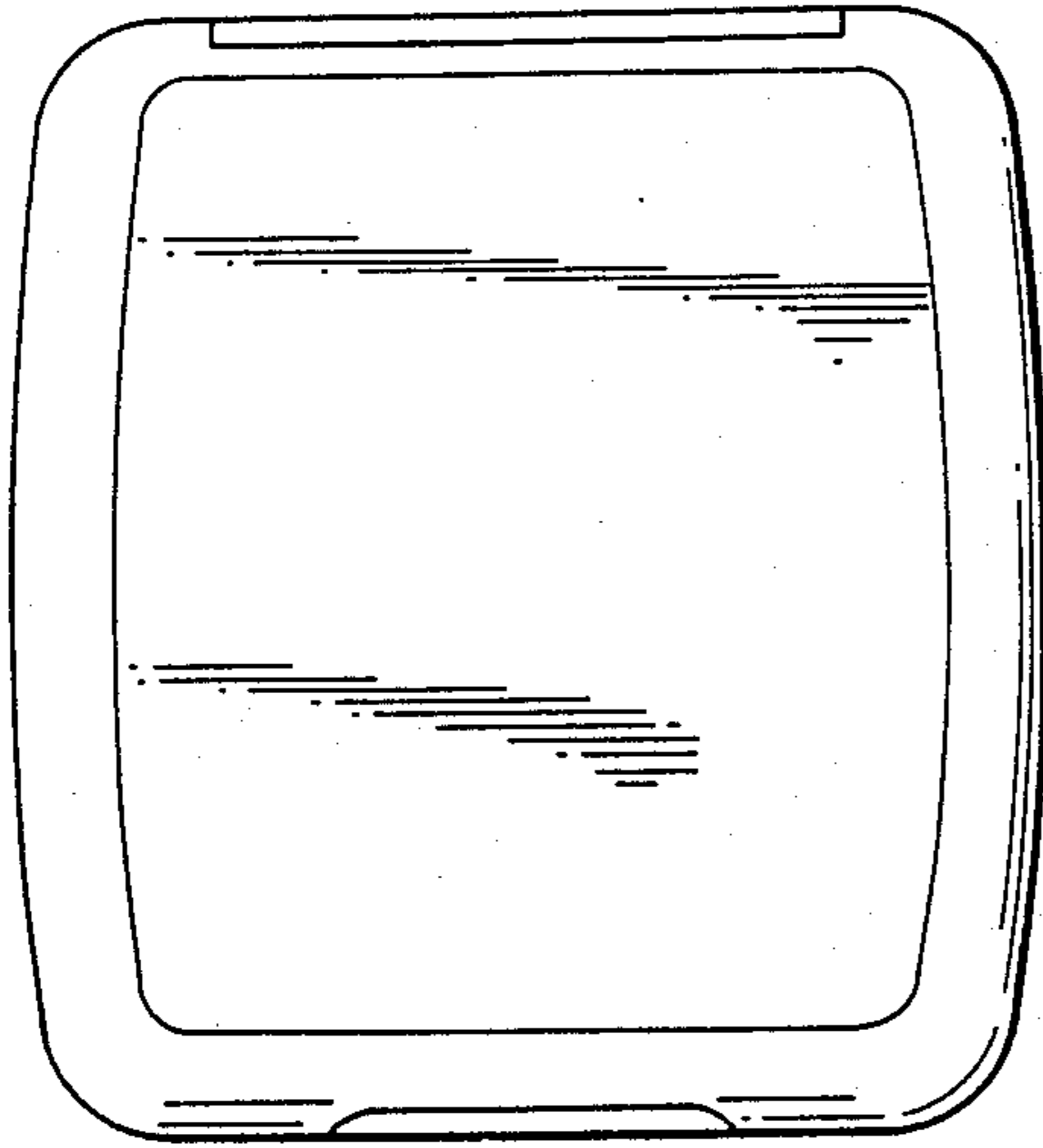


FIG. 7

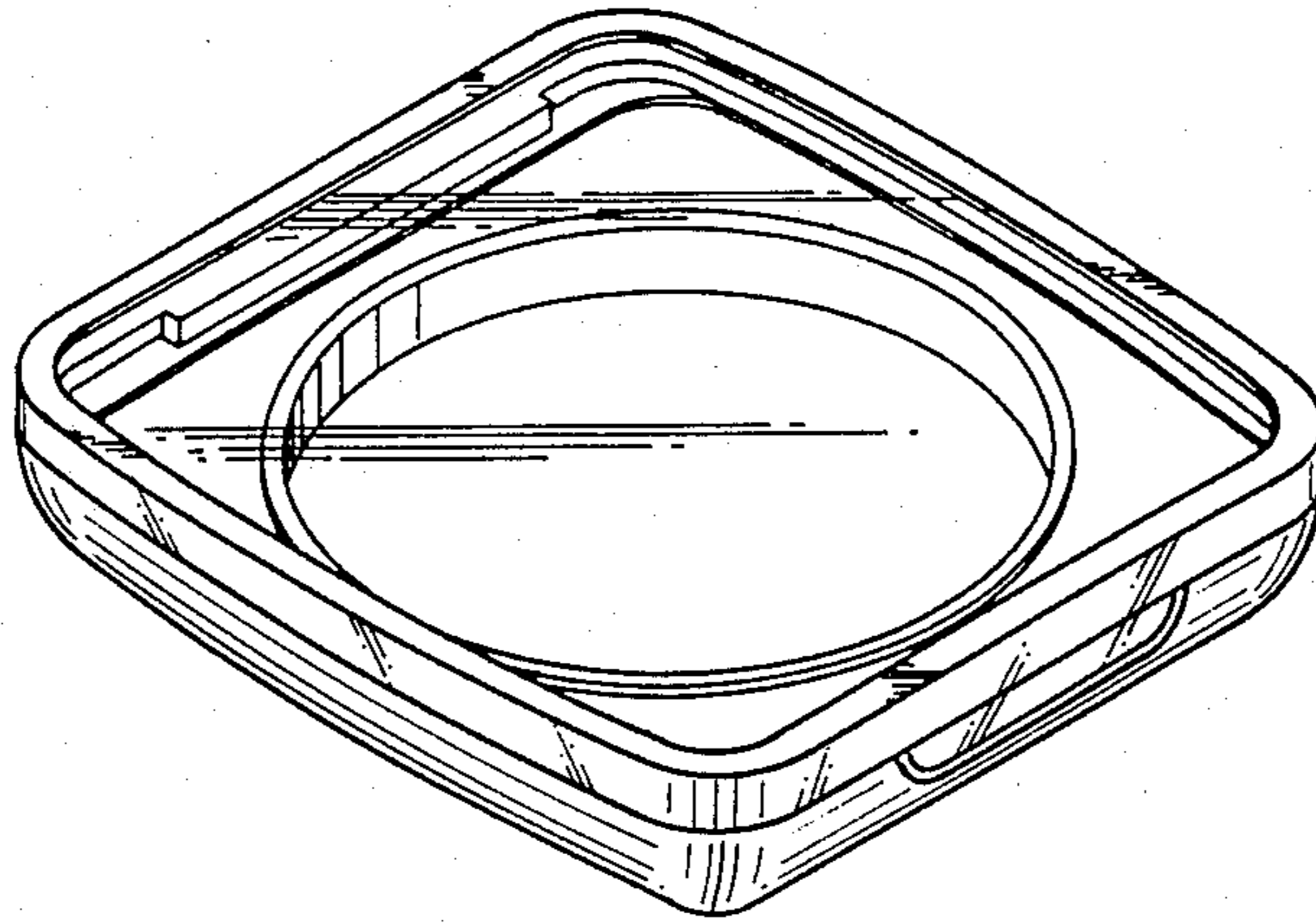


FIG. 8



FIG. 9

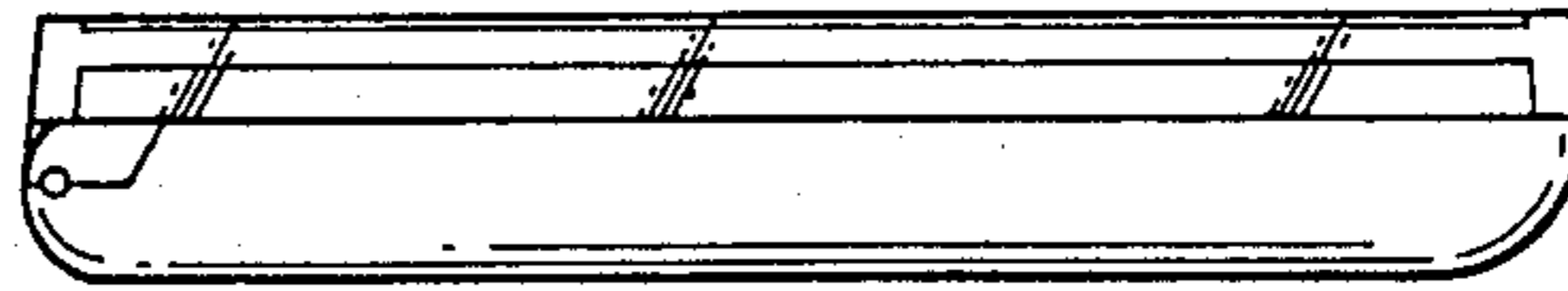


FIG. 10

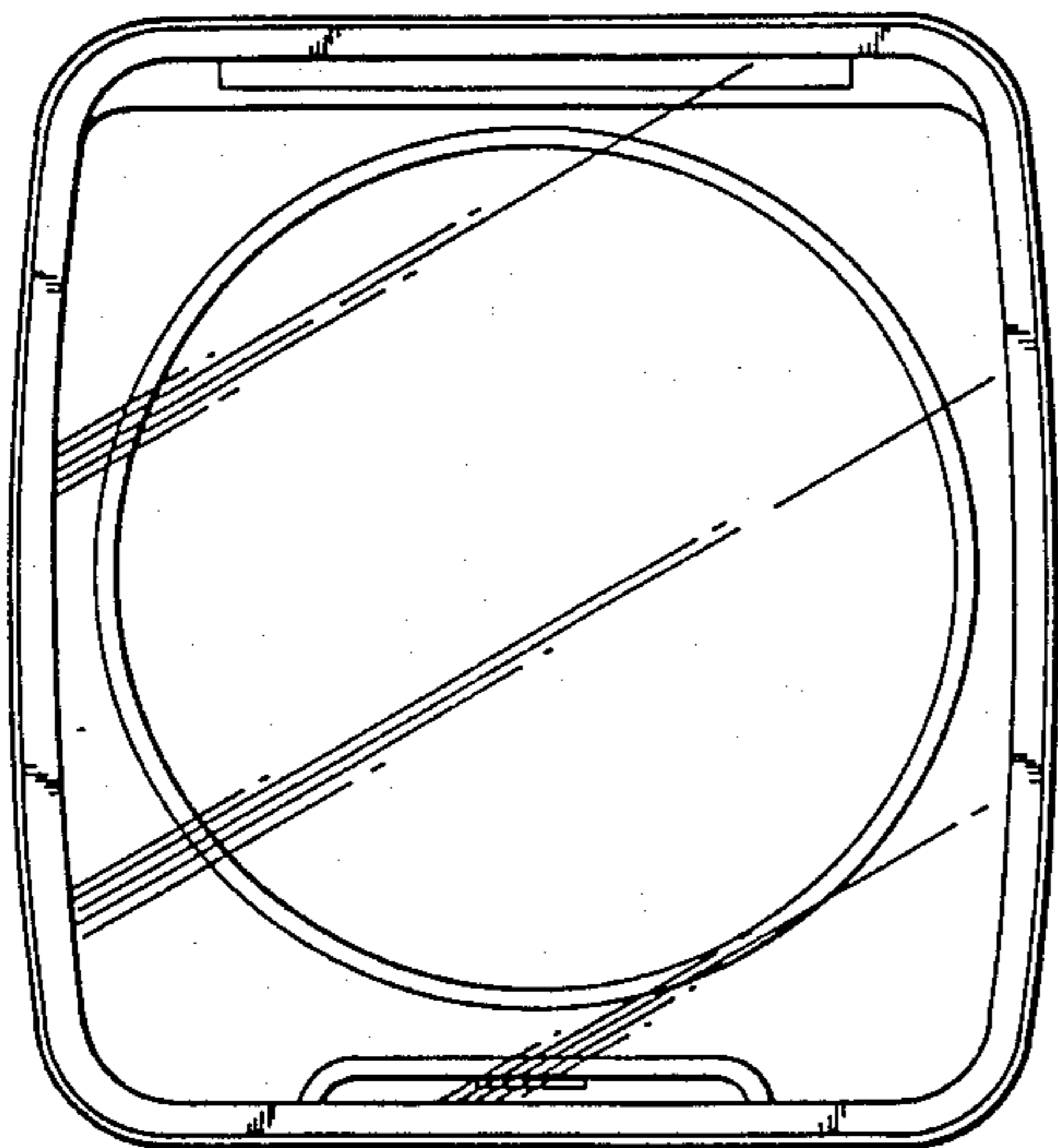


FIG. 11

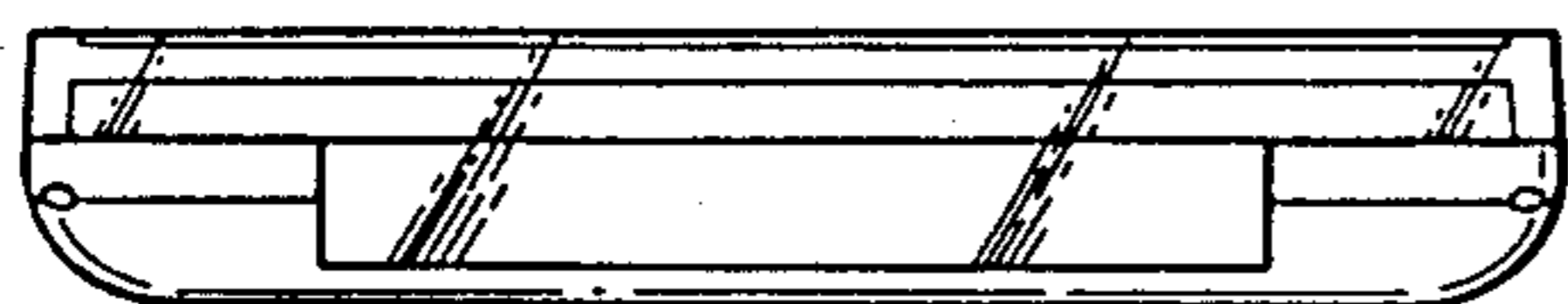


FIG. 12

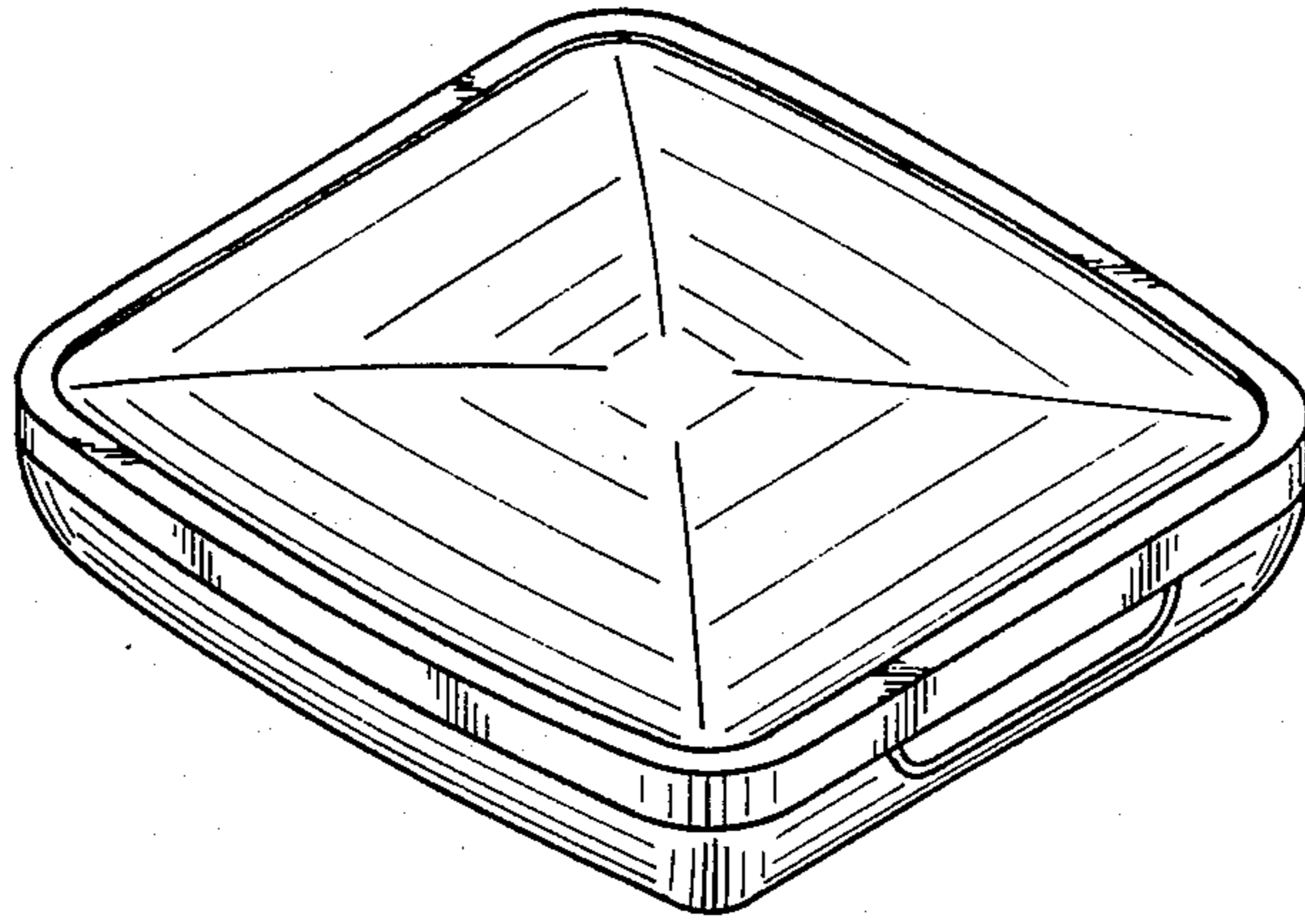


FIG. 13

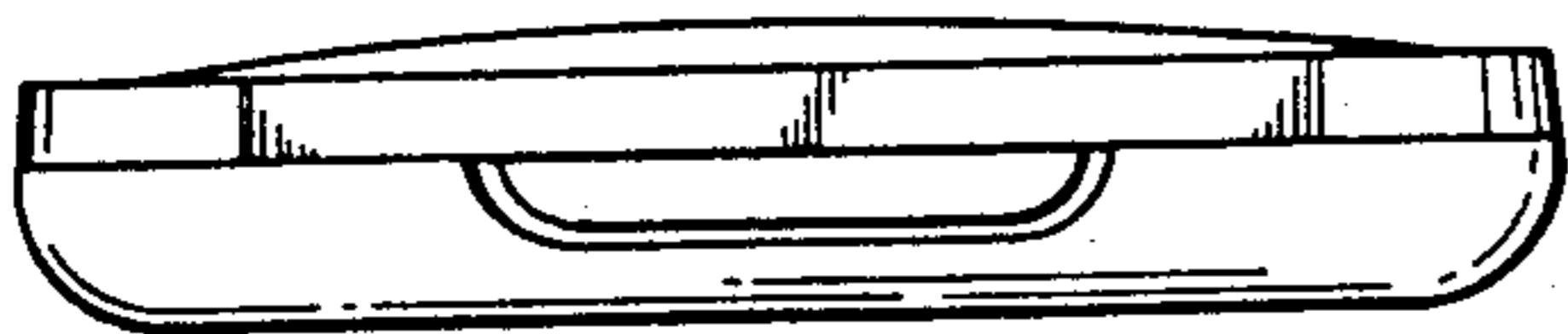


FIG. 14

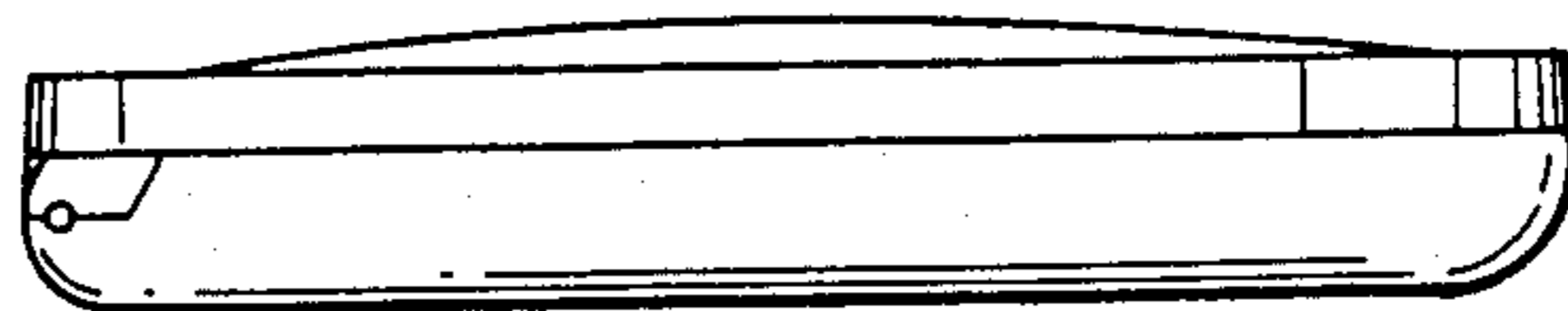


FIG. 15

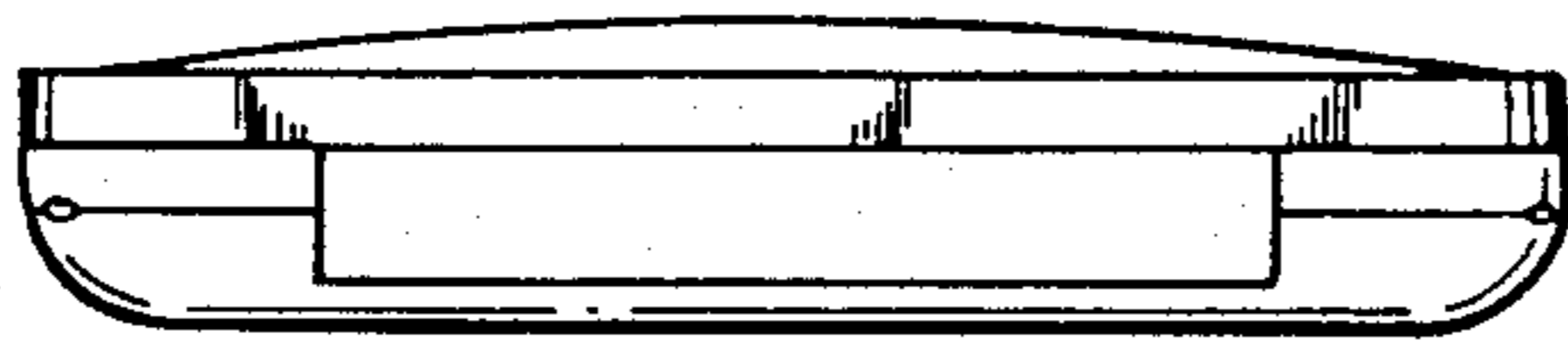


FIG. 16

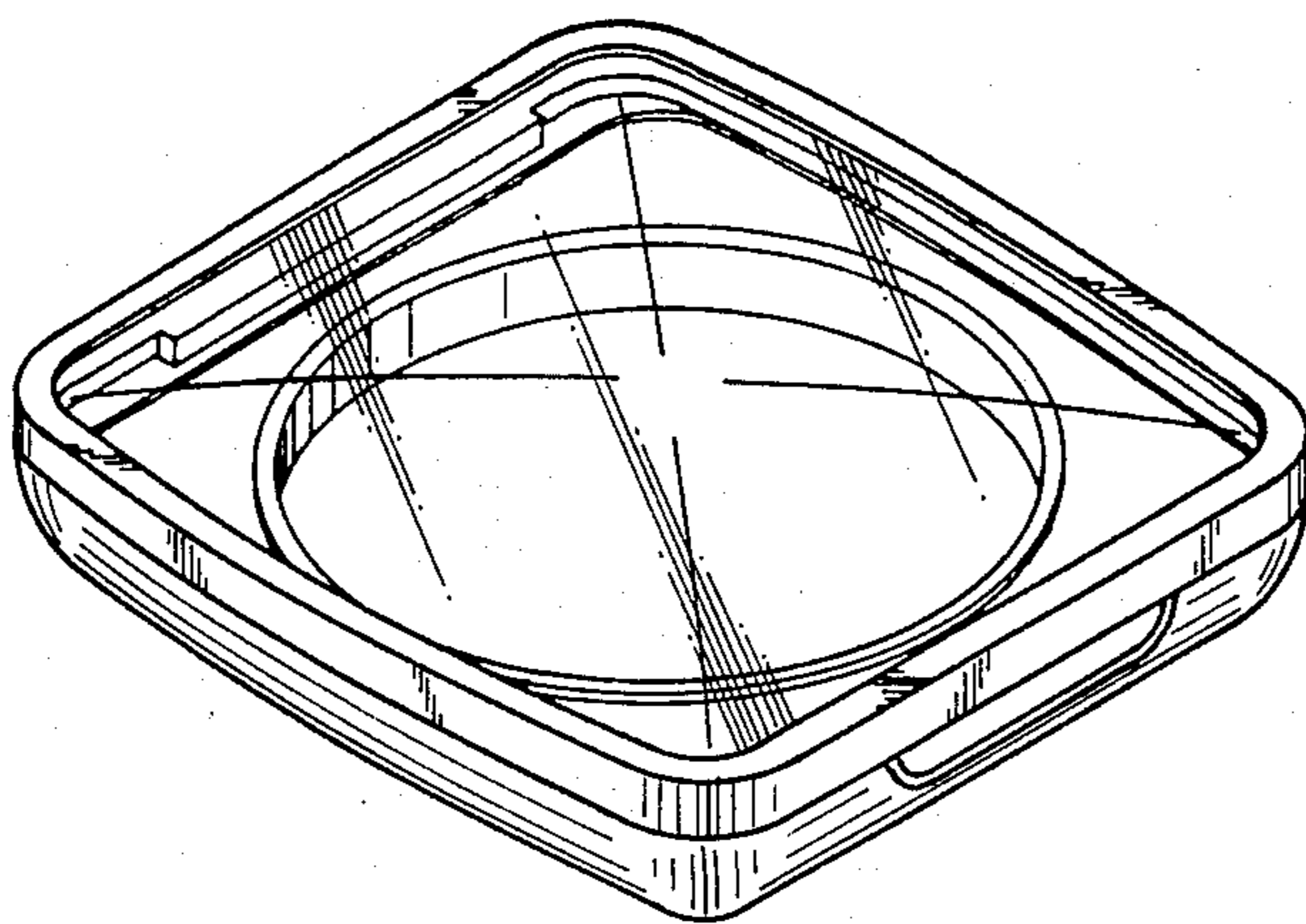


FIG. 17