

[54] NAIL DRYER STAND

4,206,556 6/1980 Sabo et al. .... D28/58 X  
4,712,313 12/1987 Gettleman ..... 34/97

[76] Inventor: Jerome R. Flynn, 3857 Birch St.,  
Newport Bch., Calif. 92660

Primary Examiner—Louis S. Zarfes  
Attorney, Agent, or Firm—Lynn & Lynn

[\*\*] Term: 14 Years

[57] CLAIM

[21] Appl. No.: 910,426

The ornamental design for a nail dryer stand, as shown.

[22] Filed: Sep. 22, 1986

DESCRIPTION

[52] U.S. Cl. .... D28/61

[58] Field of Search ..... D28/9-18,  
D28/56, 54.1, 58, 61, 73; 34/96-101, 202;  
132/7, 9, 73-73.6

FIG. 1 is a perspective view of a nail dryer stand showing my new design;

FIG. 2 is a side elevational view of the design of FIG. 1;

FIG. 3 is a rear elevational view of the design of FIG. 1;

FIG. 4 is a bottom plan view of the design of FIG. 1;

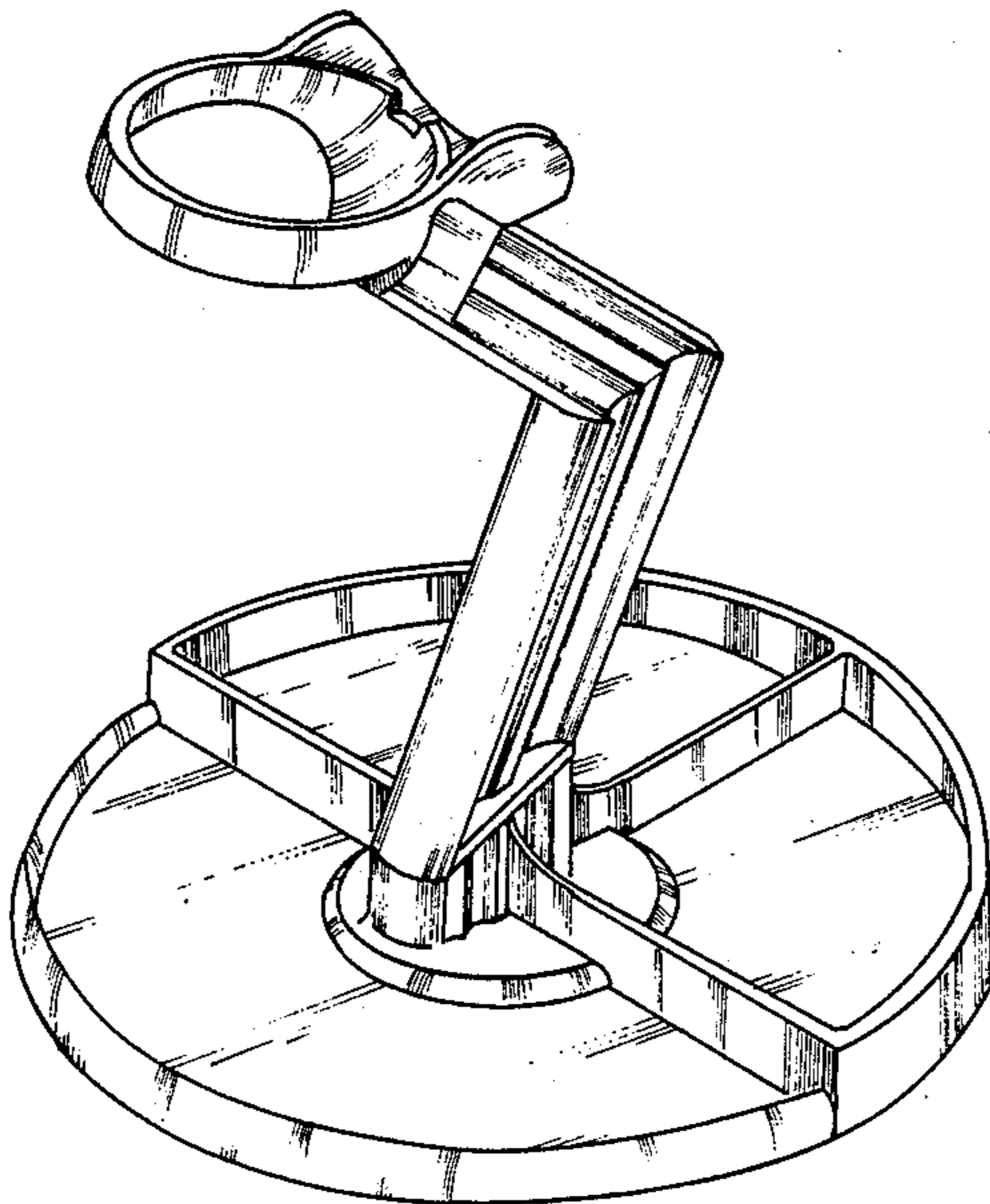
FIG. 5 is a front elevational view of the design of FIG. 1;

FIG. 6 is a top plan view of the design of FIG. 1.

[56] References Cited

U.S. PATENT DOCUMENTS

- D. 129,951 10/1941 Scateni ..... D28/61
- D. 149,807 6/1948 Gaitskill ..... D28/61
- D. 170,669 10/1953 Wagner ..... D28/61
- D. 292,625 11/1987 Fung ..... D28/58



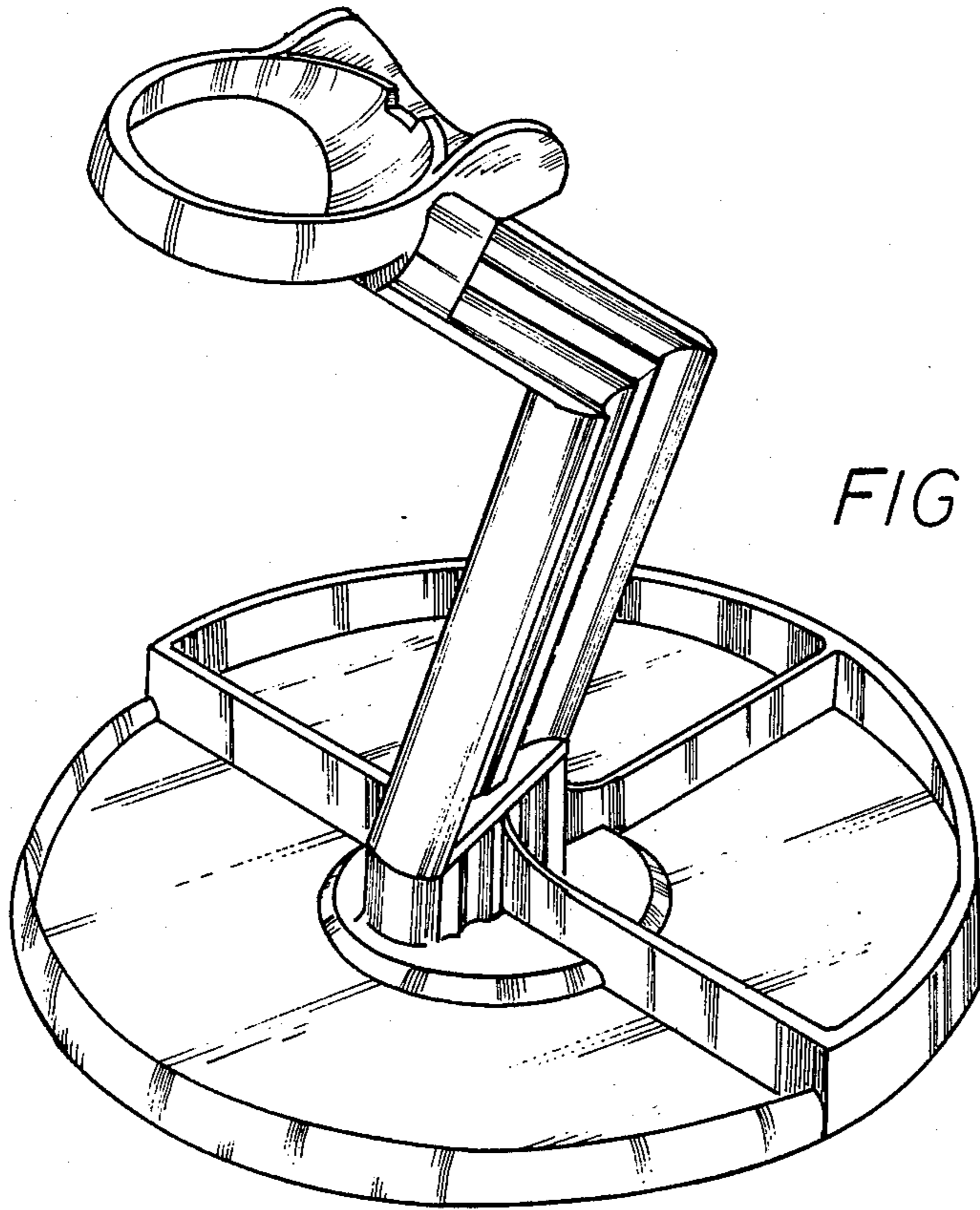


FIG 1

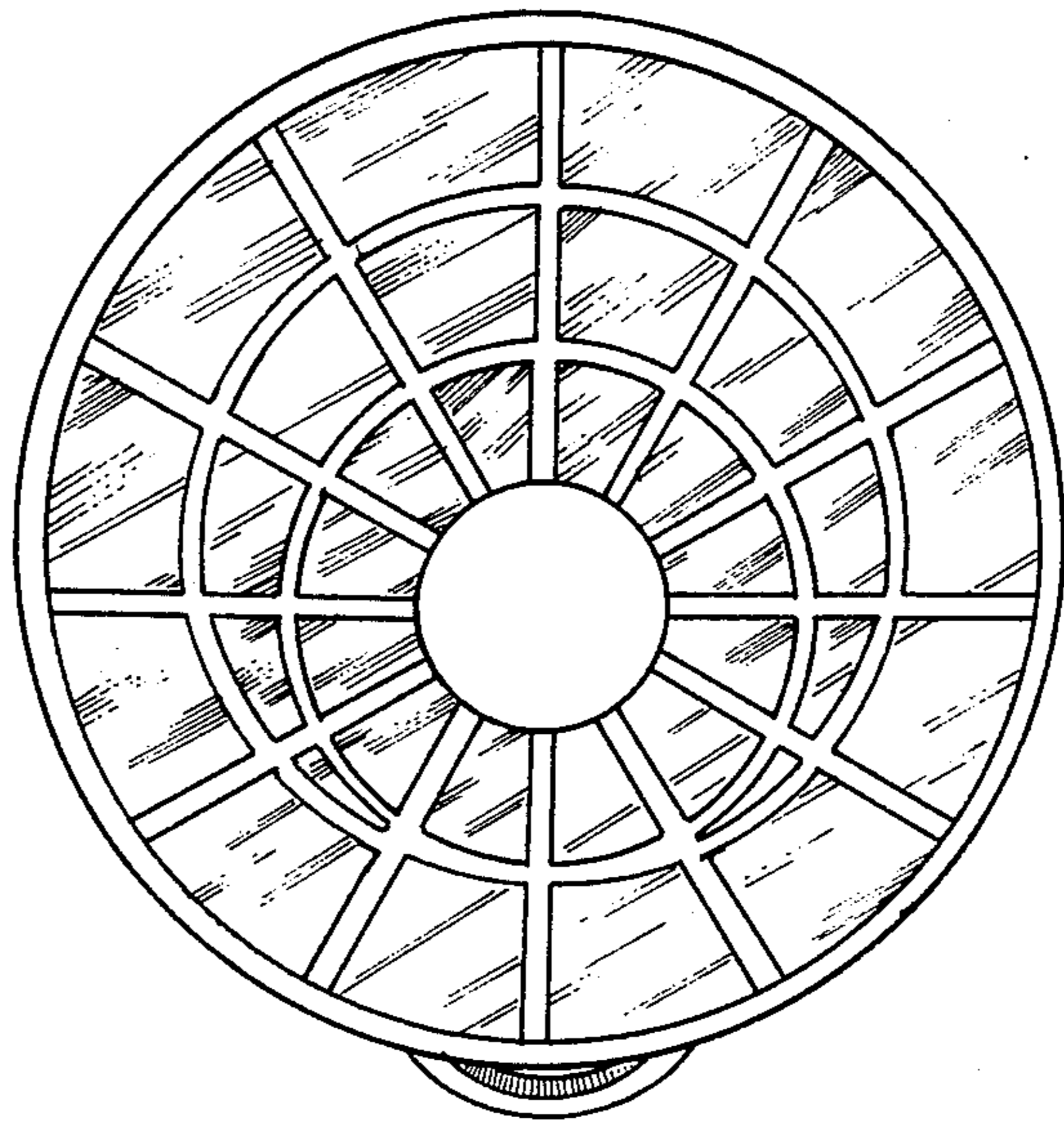


FIG 6

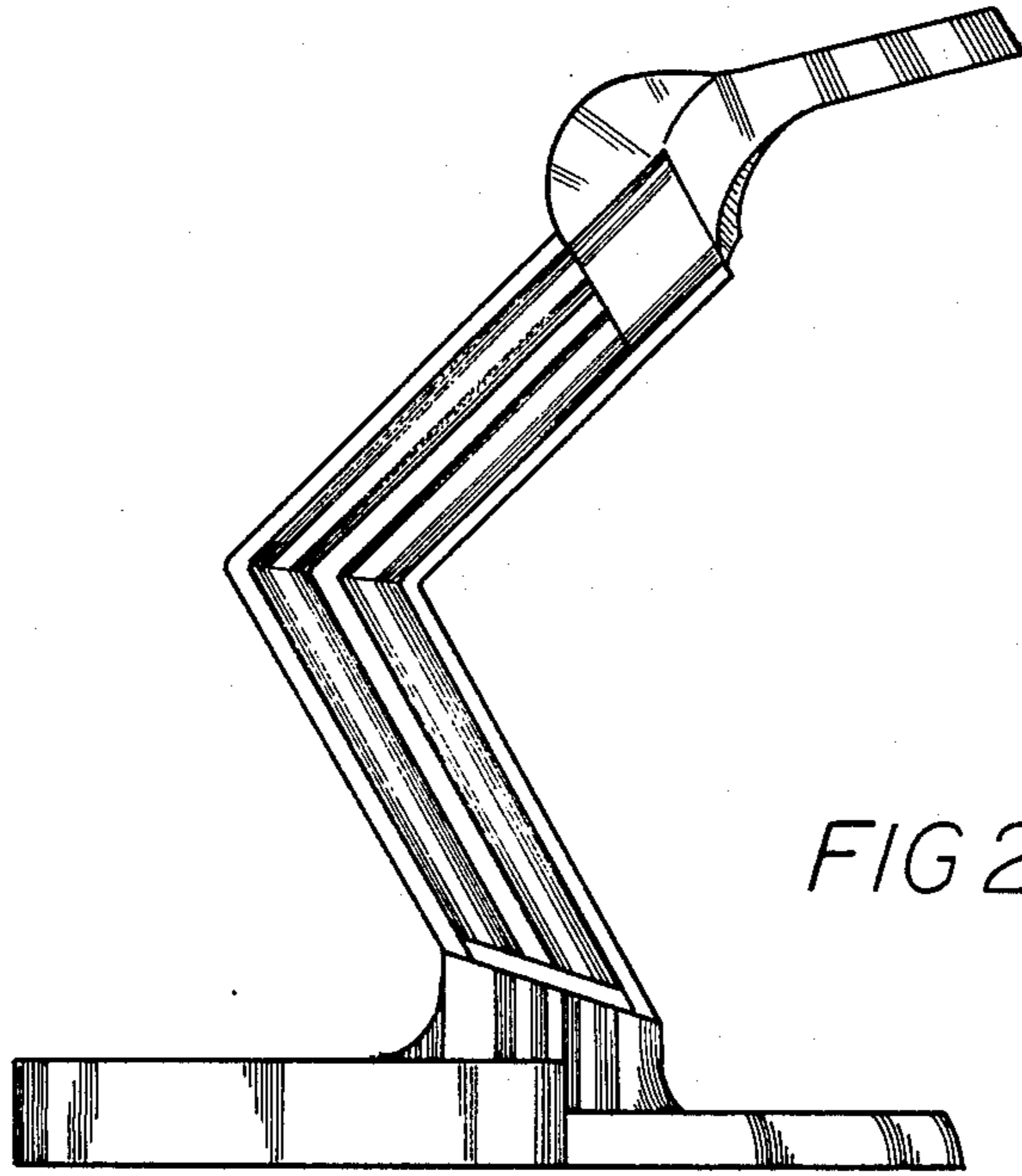


FIG 2

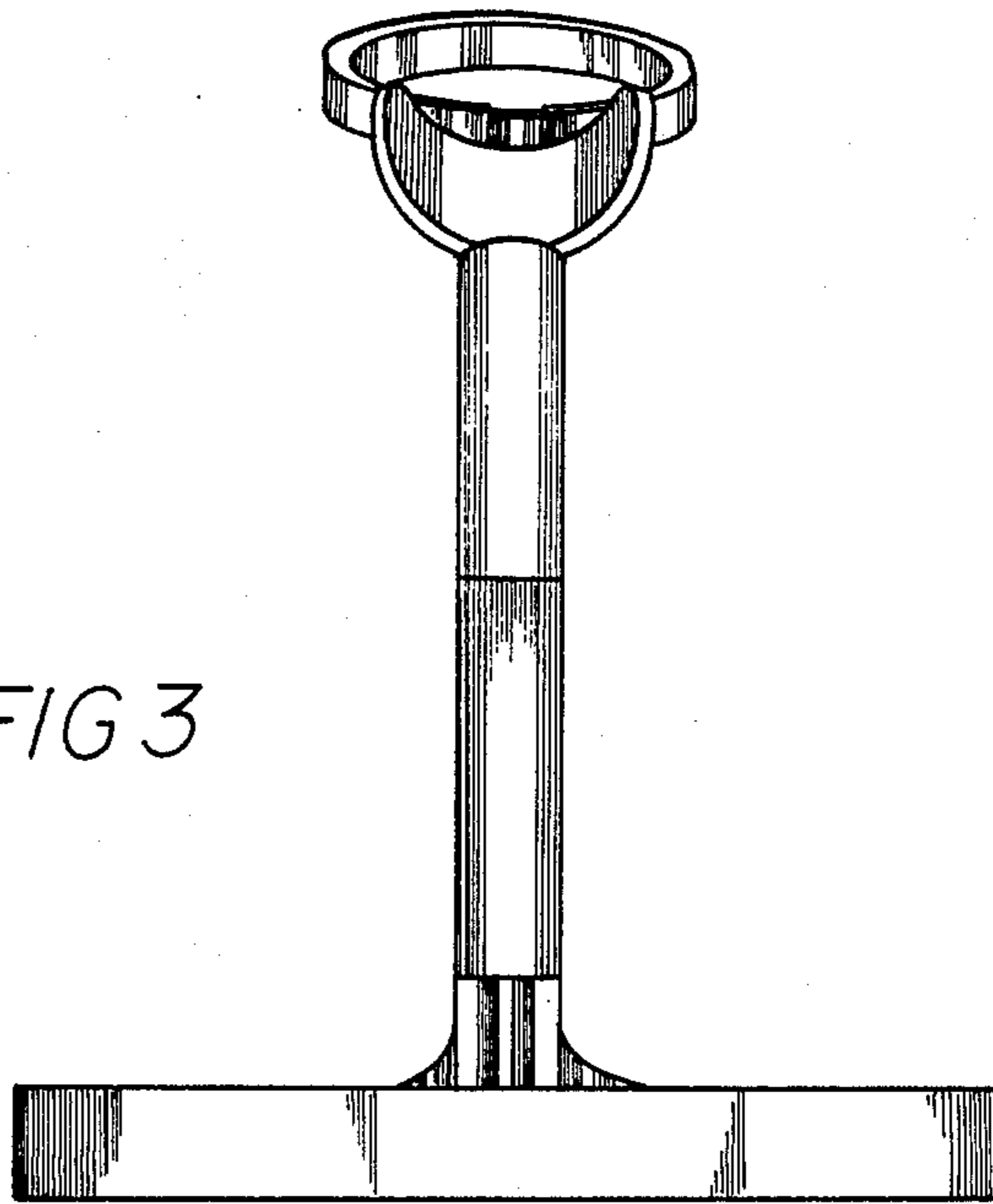


FIG 3

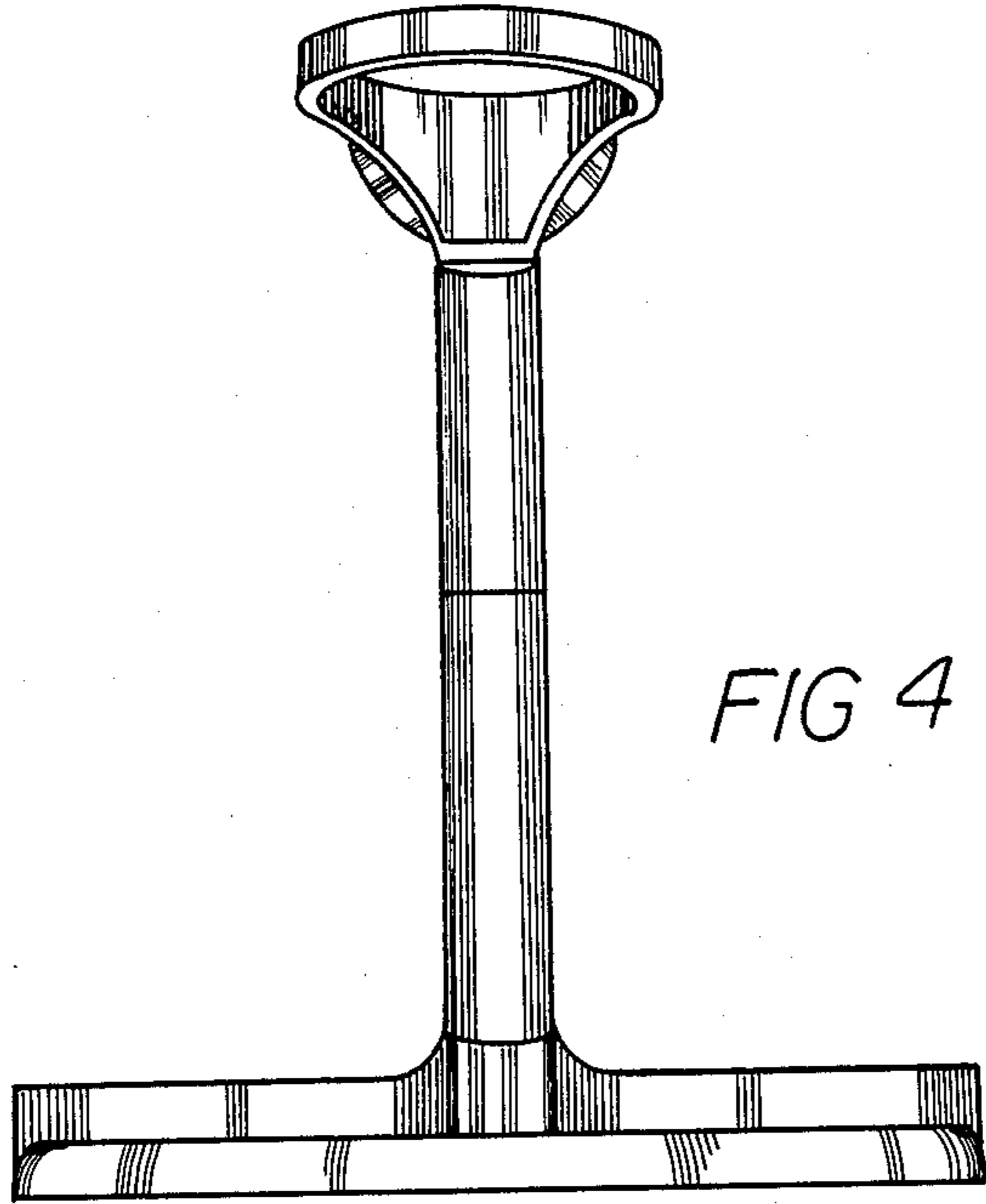


FIG 4

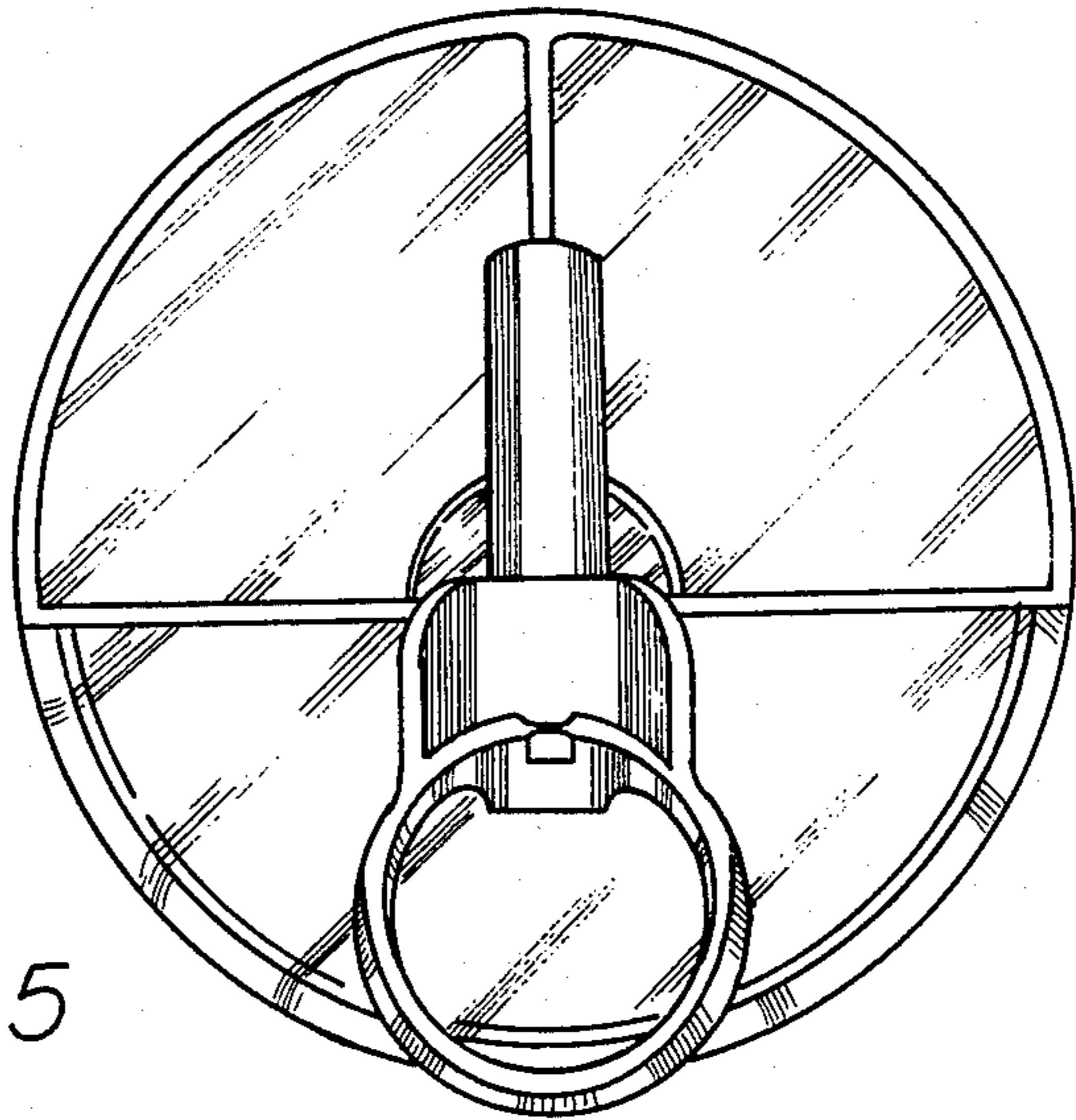


FIG 5