

[54] DRY SHAVER

[75] Inventors: **Gotthard C. Mahlich, Kronberg;**  
**Florian Seiffert, Wiesbaden, both of**  
Fed. Rep. of Germany

[73] Assignee: **Robert Krups Stiftung & Co. K.G.,**  
Solingen, Fed. Rep. of Germany

[\*\*] Term: 14 Years

[21] Appl. No.: 917,376

[22] Filed: Oct. 9, 1986

[30] Foreign Application Priority Data

Apr. 15, 1986 [DE] Fed. Rep. of Germany ..... 8MR353  
[52] U.S. Cl. .... D28/49  
[58] Field of Search ..... D28/44-54;  
30/32, 34 R, 34.1, 41.9, 42, 43, 43.3-43.92, 44,  
45, 90

[56]

References Cited

U.S. PATENT DOCUMENTS

D. 268,617 4/1983 Seiffert ..... D28/51  
D. 284,317 6/1986 Izumi ..... D28/49  
D. 290,887 7/1987 Seiffert et al. .... D28/49  
D. 293,265 12/1987 Ullmann ..... D28/49

*Primary Examiner*—Louis S. Zarfes  
*Attorney, Agent, or Firm*—Peter K. Kontler

[57]

CLAIM

The ornamental design for a dry shaver, as shown and described.

DESCRIPTION

FIG. 1 is a plan view of a dry shaver showing our new design;  
FIG. 2 is a side elevational view of the shaver;  
FIG. 3 is a front elevational view of the shaver;  
FIG. 4 is a rear elevational view of the shaver;  
FIG. 5 is a perspective bottom view of the shaver with the trimmer shown in the extended position; and  
FIG. 6 is a front right-hand perspective view of the shaver.

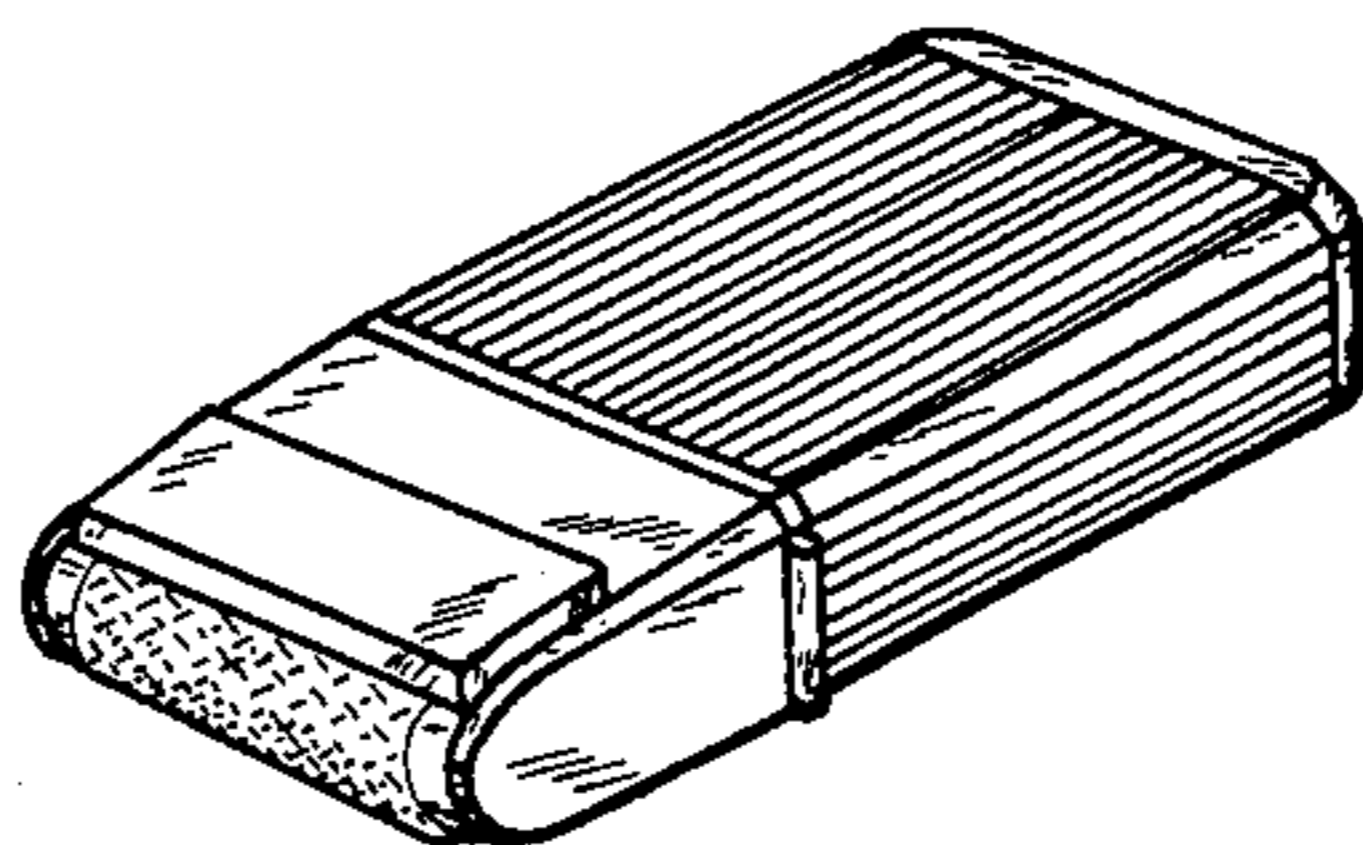
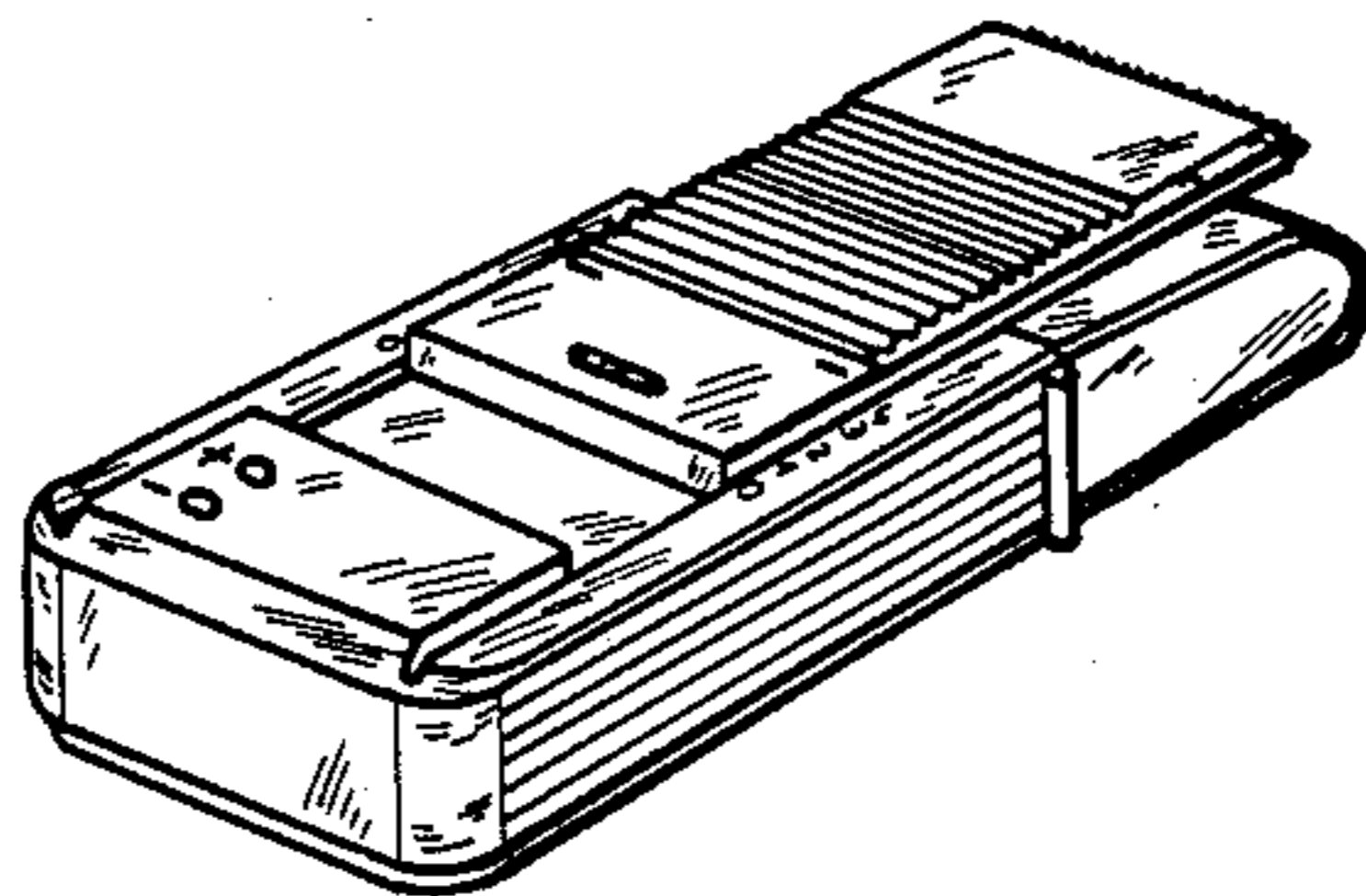


FIG. 1

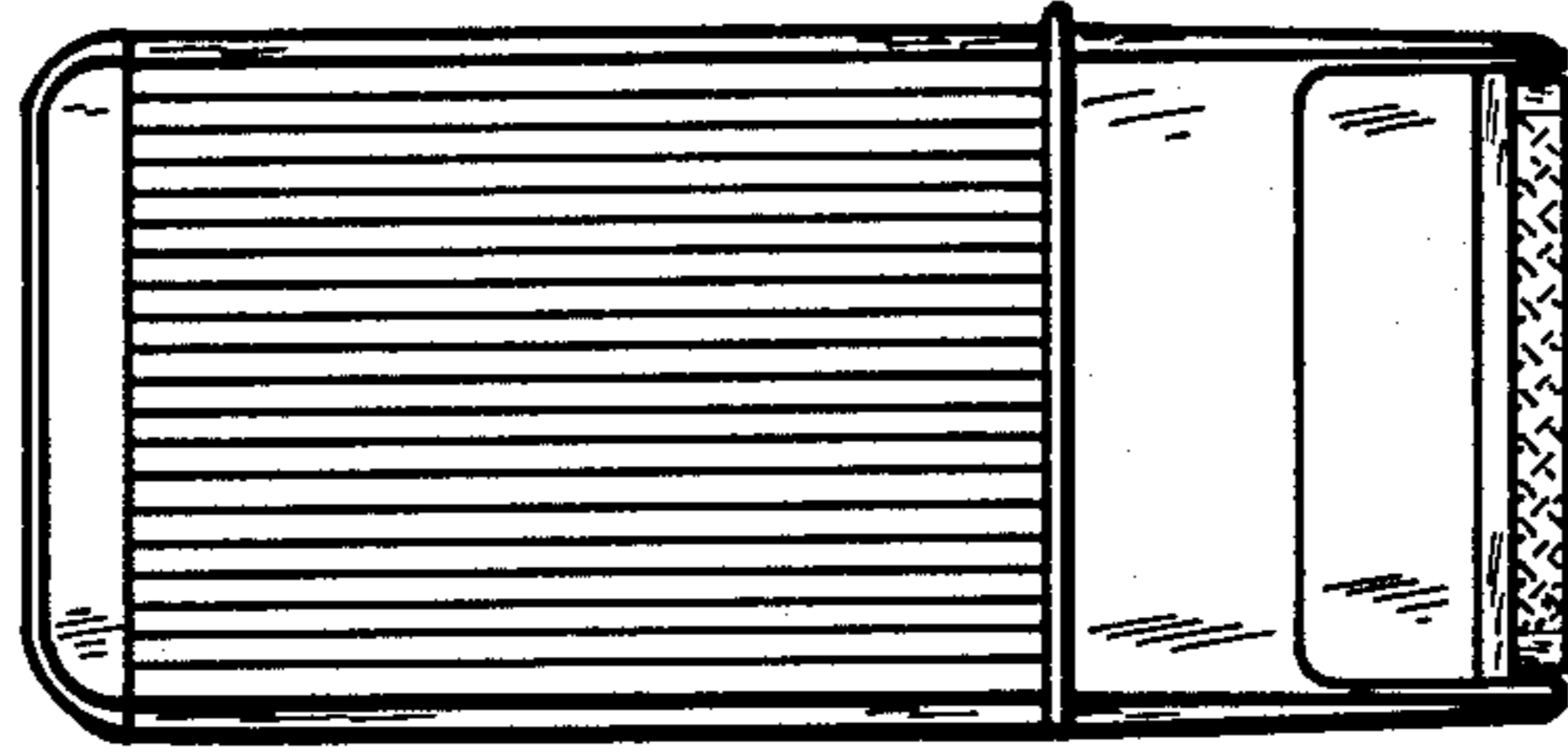


FIG. 2

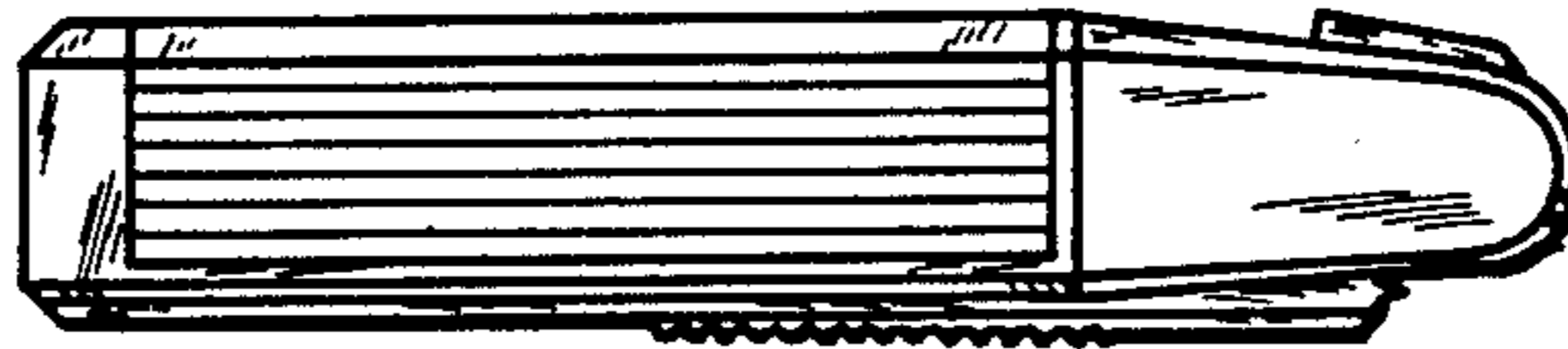


FIG. 3

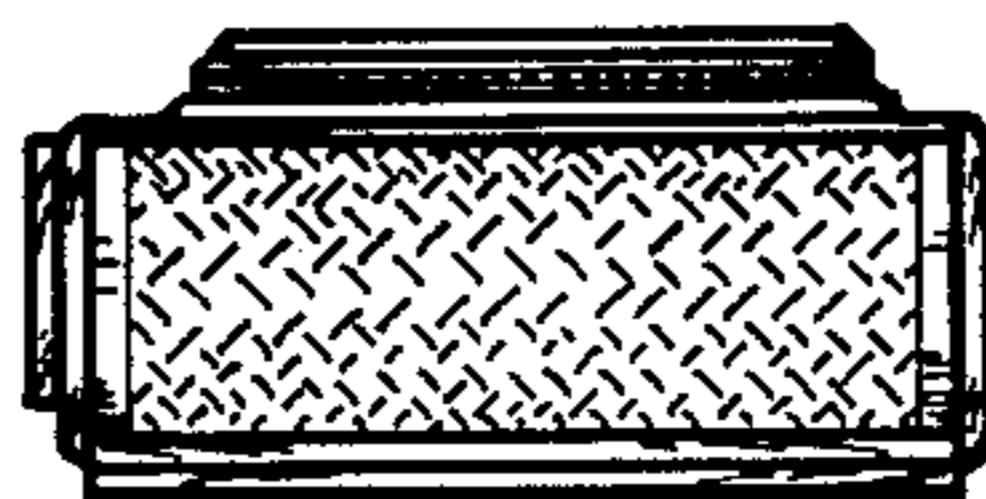


FIG. 4

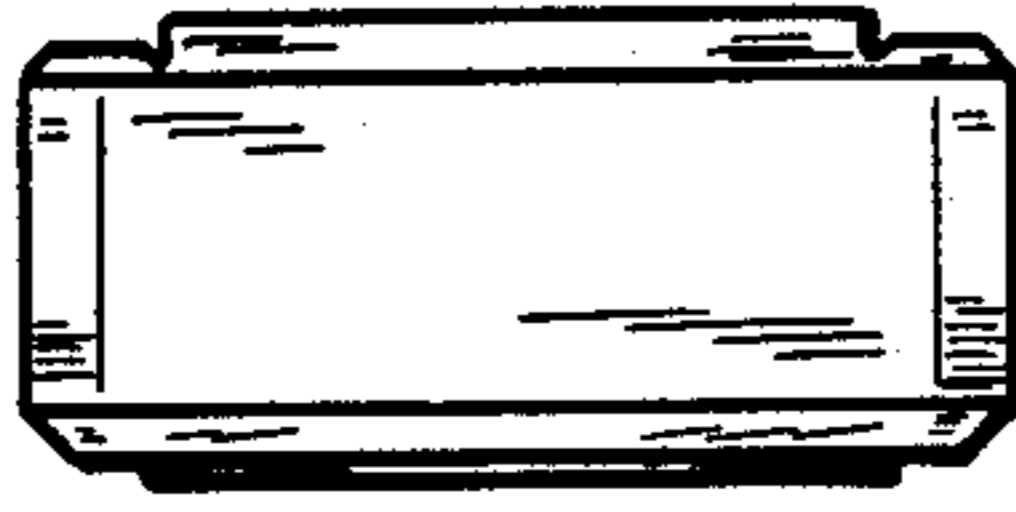


FIG. 5

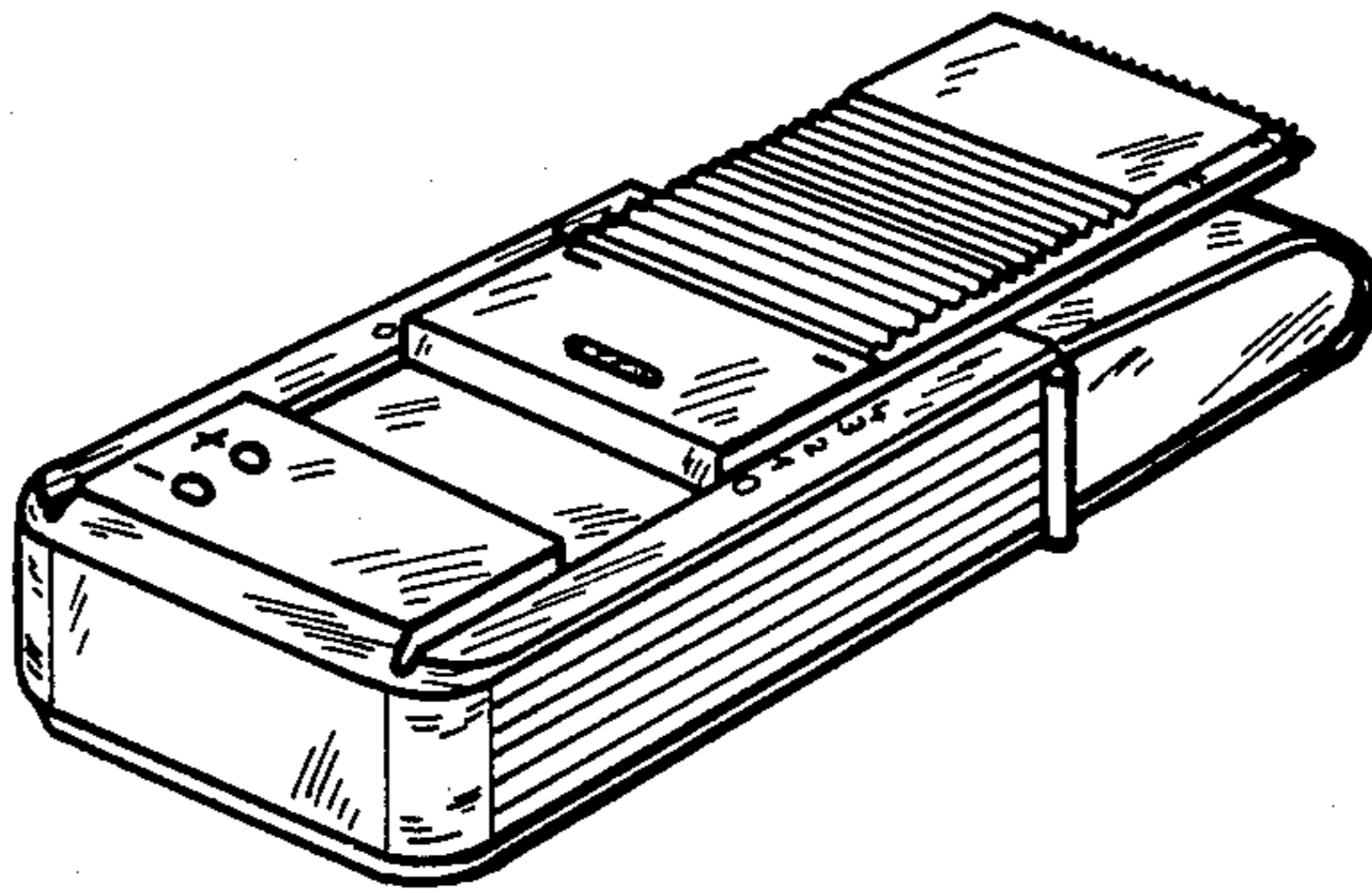


FIG. 6

