

[54] LUMINAIRE

[75] Inventors: Merle C. Hoke; John W. Harvey;
Linda M. Bauer, all of Newark, Ohio

[73] Assignee: Manville Corporation, Denver, Colo.

[**] Term: 14 Years

[21] Appl. No.: 7,886

[22] Filed: Jan. 28, 1987

[52] U.S. Cl. D26/88

[58] Field of Search D26/72-92,
D26/67, 68; 362/404-408, 147, 362, 363, 431

[56] References Cited

U.S. PATENT DOCUMENTS

- D. 207,414 4/1967 Lum D26/88
- D. 207,789 5/1967 Kimble D26/67
- D. 268,876 5/1983 Leithauser, Jr. D26/72

- D. 269,639 7/1983 Eargle, Jr. et al. D26/88
- 3,511,984 5/1970 Blaisdell et al. D26/67 X
- 4,286,313 8/1981 Quiogue 362/404

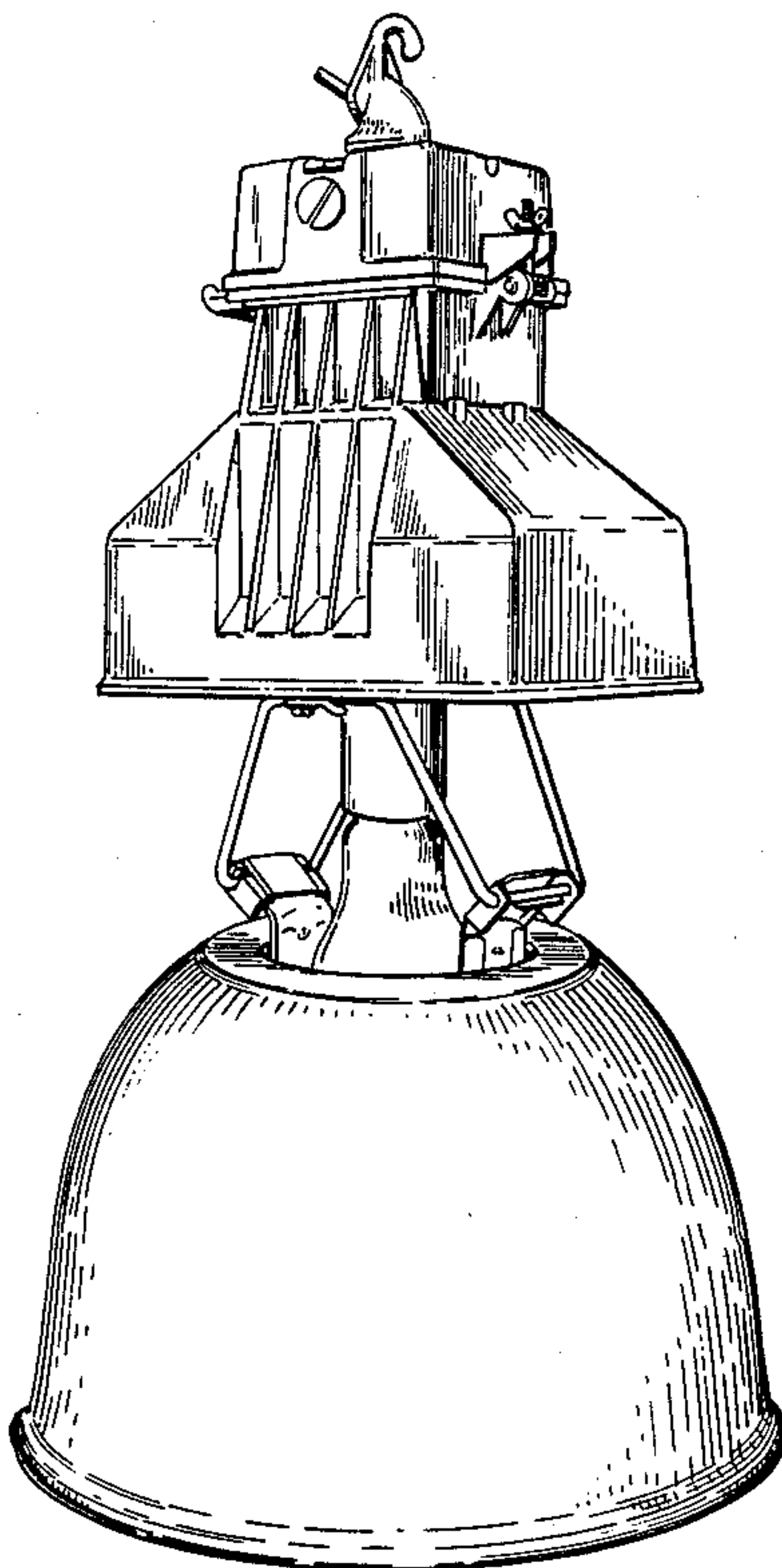
Primary Examiner—Susan J. Lucas
Attorney, Agent, or Firm—John D. Lister; Cornelius P. Quinn

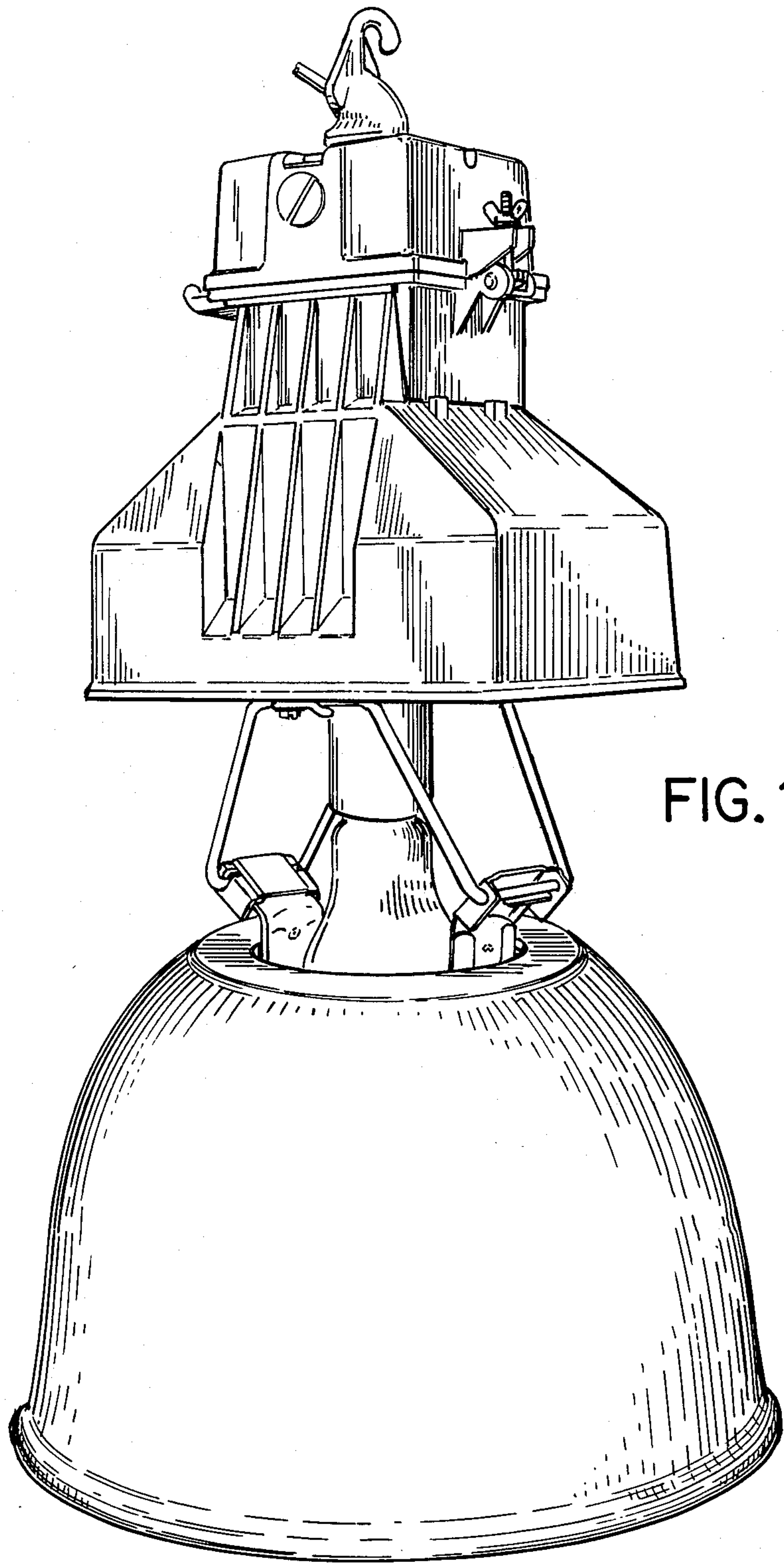
[57] CLAIM

The ornamental design for a luminaire, as shown and described.

DESCRIPTION

FIG. 1 is a top, front, right hand side perspective view of a luminaire showing our new design;
 FIG. 2 is a bottom, front, left hand side perspective view thereof;
 FIG. 3 is a bottom plan view thereof;
 FIG. 4 is a top plan view thereof enlarged;
 FIG. 5 is a rear elevational view thereof enlarged;
 FIG. 6 is a side elevational view thereof enlarged.





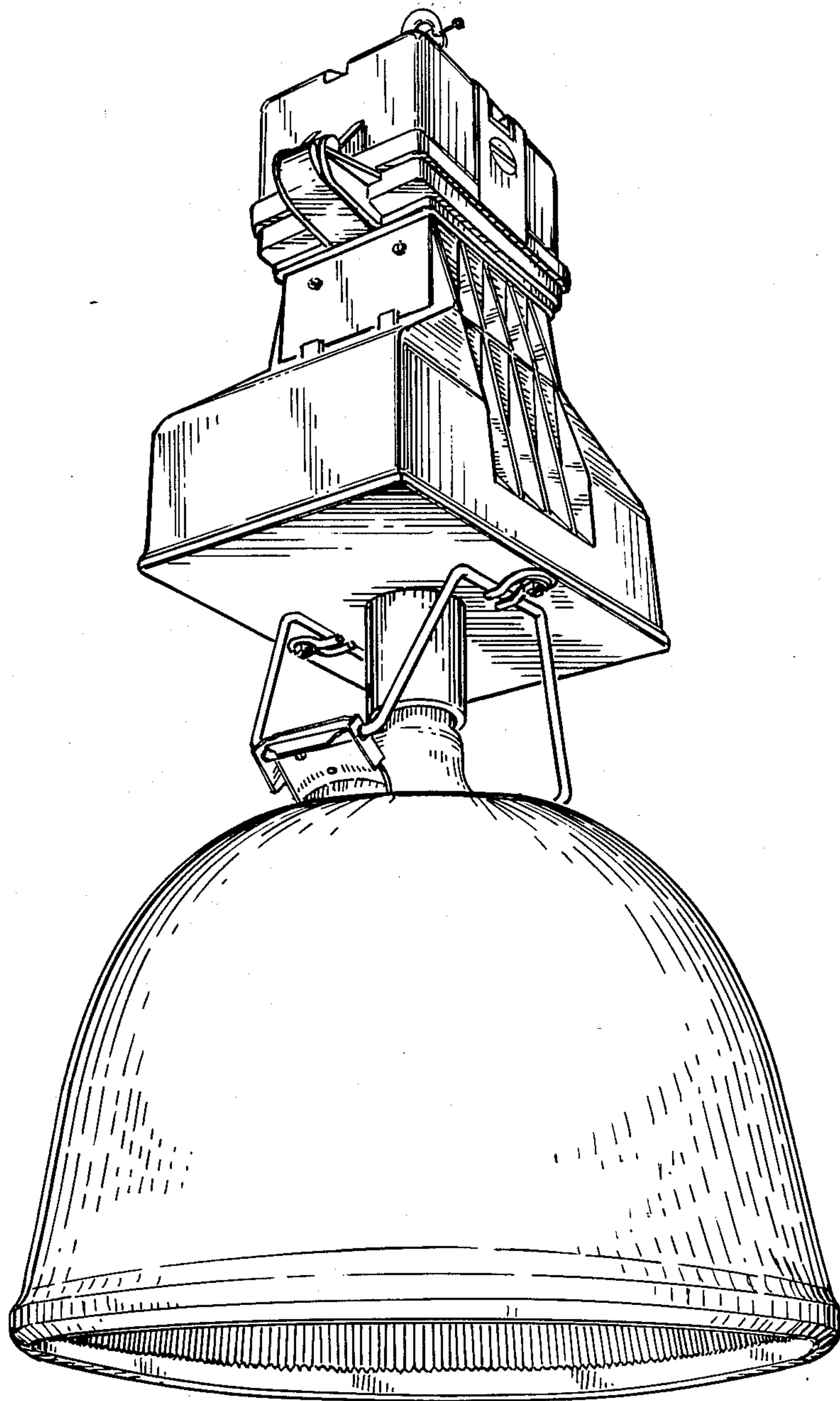


FIG. 2

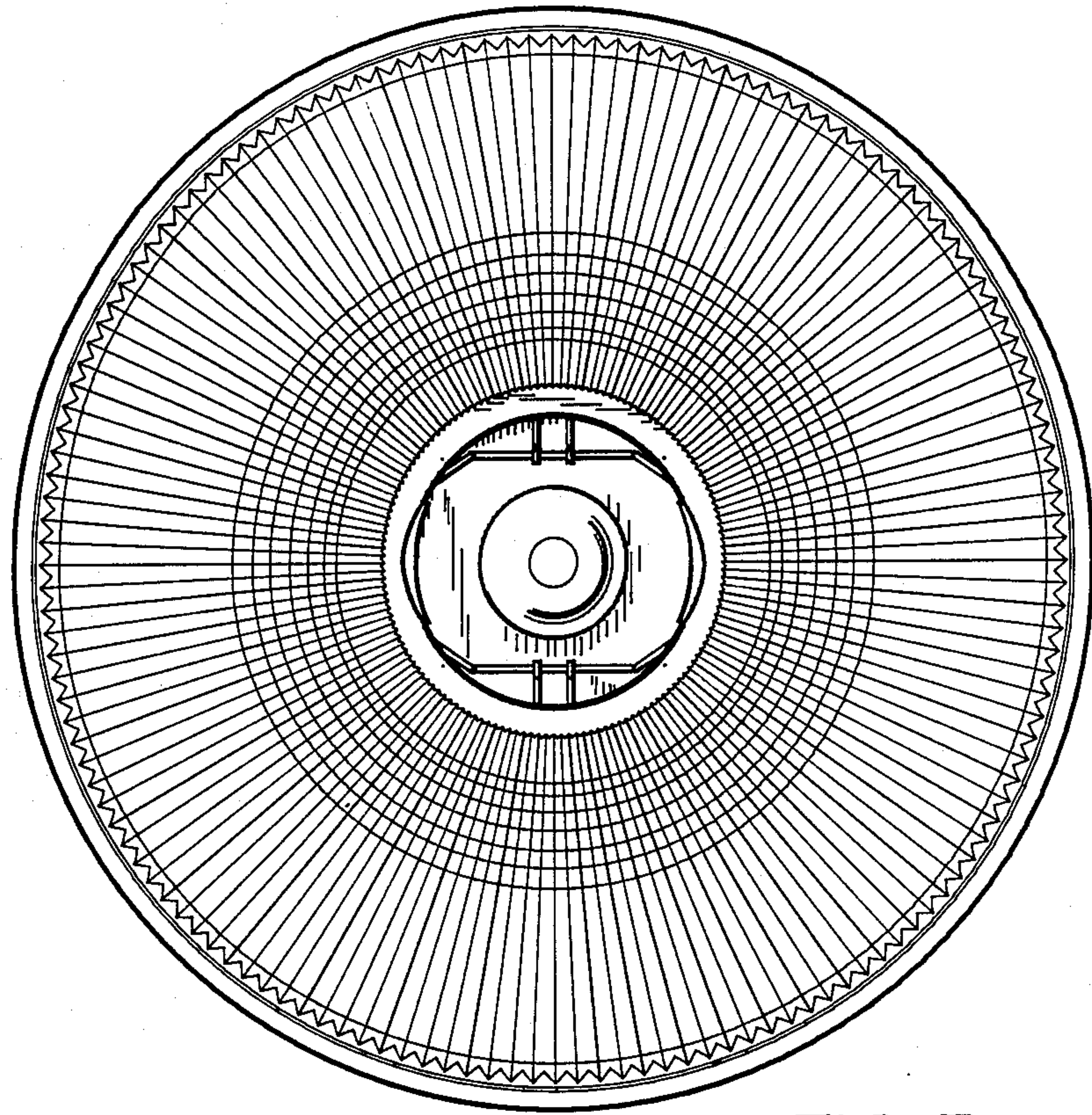


FIG. 3

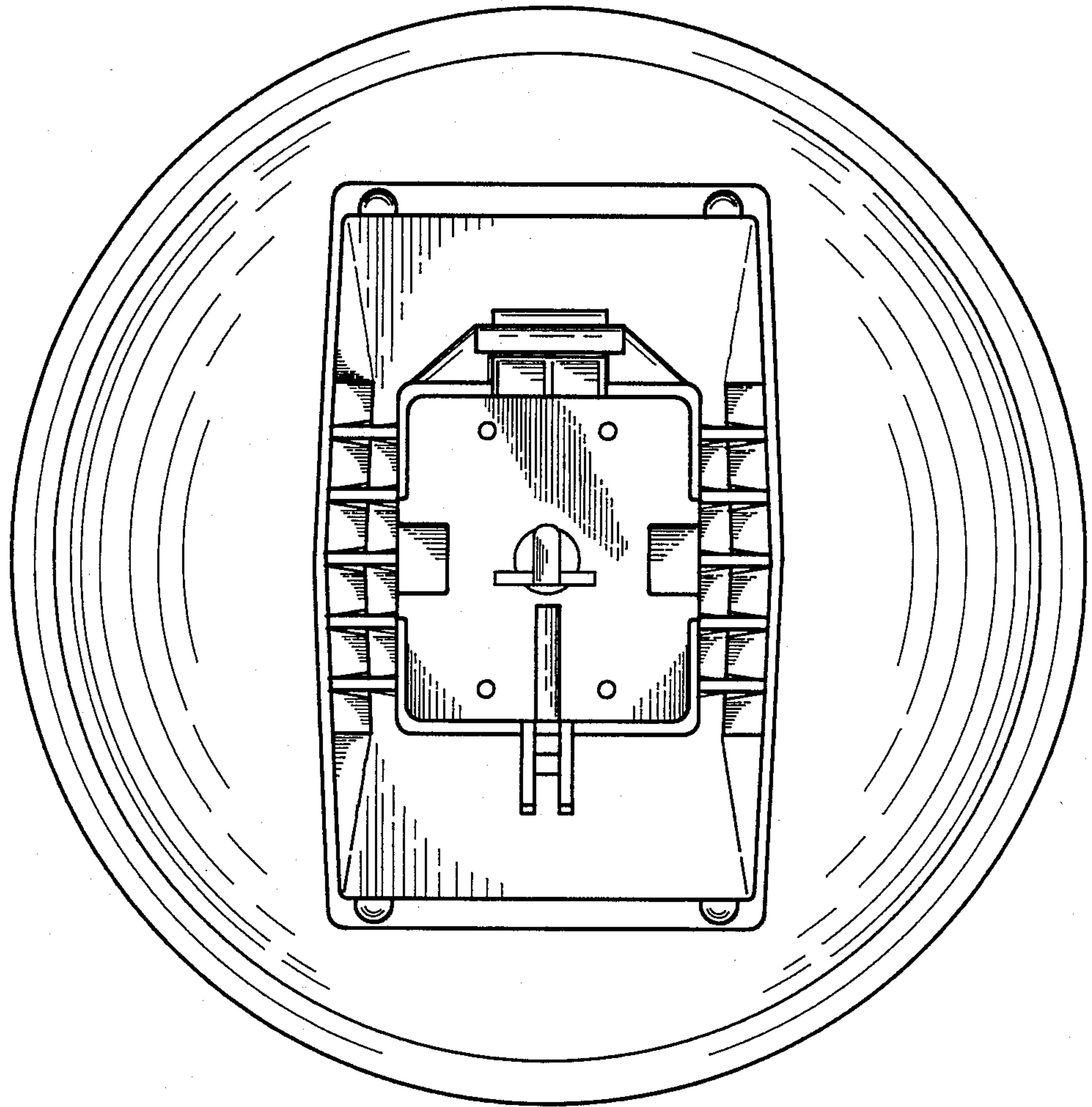


FIG. 4

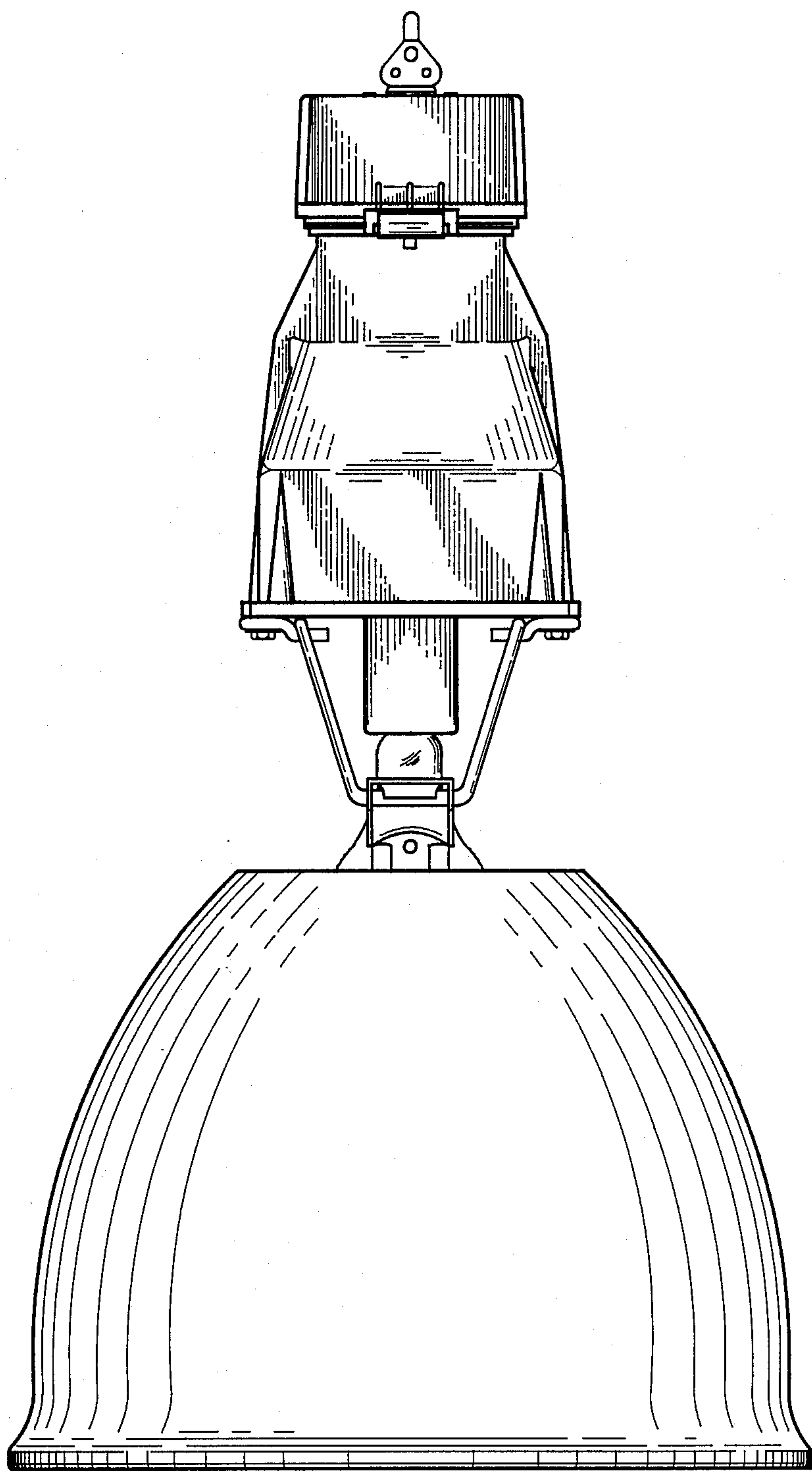


FIG. 5

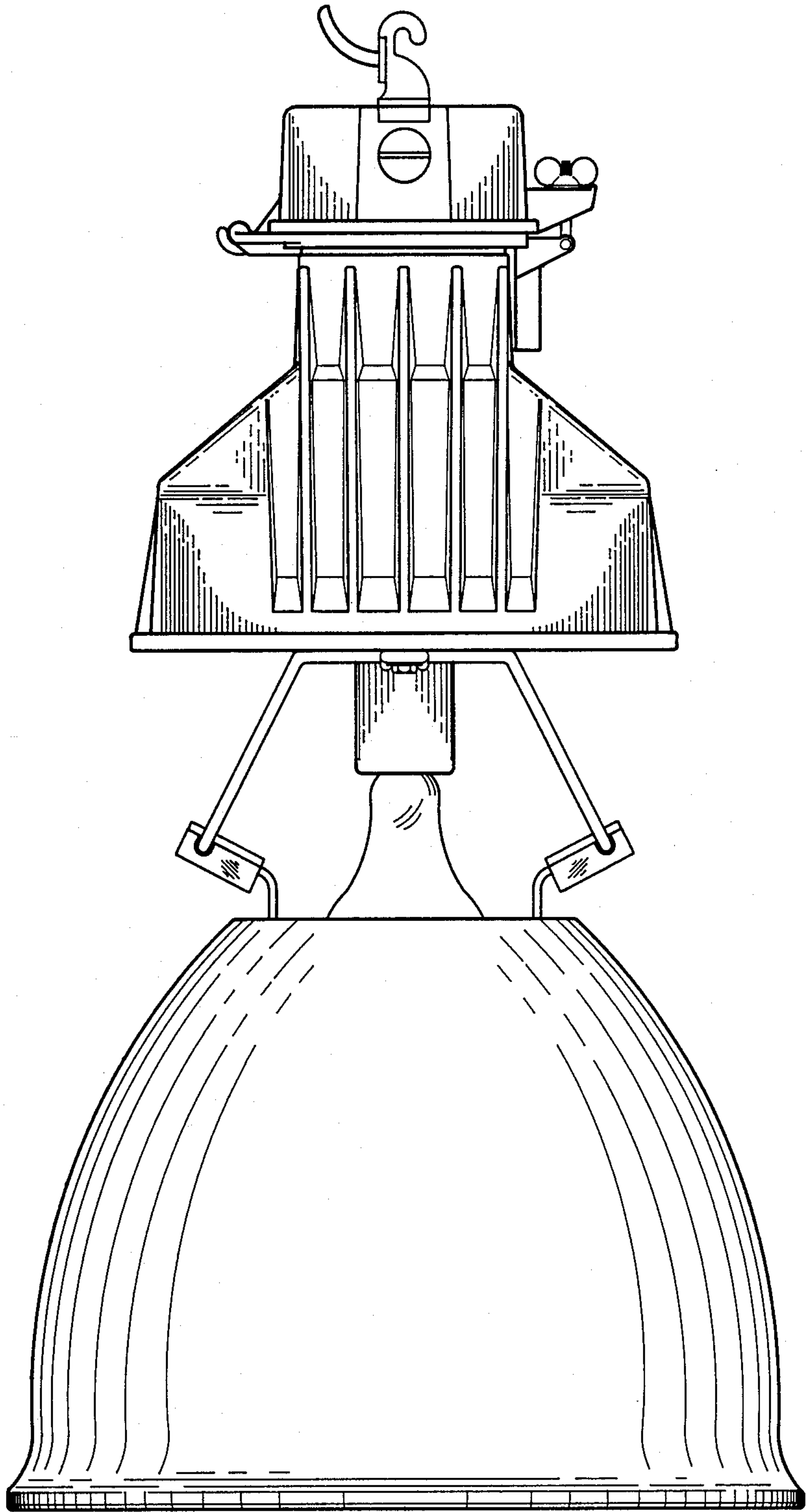


FIG. 6