

[54] ADJUSTABLE TABLE LAMP

[75] Inventor: Michele De Lucchi, Milan, Italy

[73] Assignee: Artemide S.p.A., Milan, Italy

[*] Notice: The portion of the term of this patent subsequent to Aug. 8, 2003 has been disclaimed.

[**] Term: 14 Years

[21] Appl. No.: 60,584

[22] Filed: Jun. 11, 1987

[30] Foreign Application Priority Data

Dec. 19, 1986 [IT] Italy 24153 B/86

[52] U.S. Cl. D26/65

[58] Field of Search D26/60-65; 362/410-414, 269, 270, 275, 287, 418, 419, 427

[56] References Cited

U.S. PATENT DOCUMENTS

D. 264,634 5/1982 Okuno D26/65

3,543,019 11/1970 Jacobsen 362/413 X

3,694,647 9/1972 Chapman, Jr. et al. 362/411

4,213,172 7/1980 Scottolin et al. 362/413

FOREIGN PATENT DOCUMENTS

117122 7/1946 Sweden 362/427

Primary Examiner—Susan J. Lucas

Attorney, Agent, or Firm—Guido Modiano; Albert Josif

[57] CLAIM

The ornamental design for adjustable table lamp, as shown and described.

DESCRIPTION

FIG. 1 is a top, rear, right side perspective view of an adjustable table lamp showing my new design;

FIG. 2 is a right side elevational view thereof on an enlarged scale;

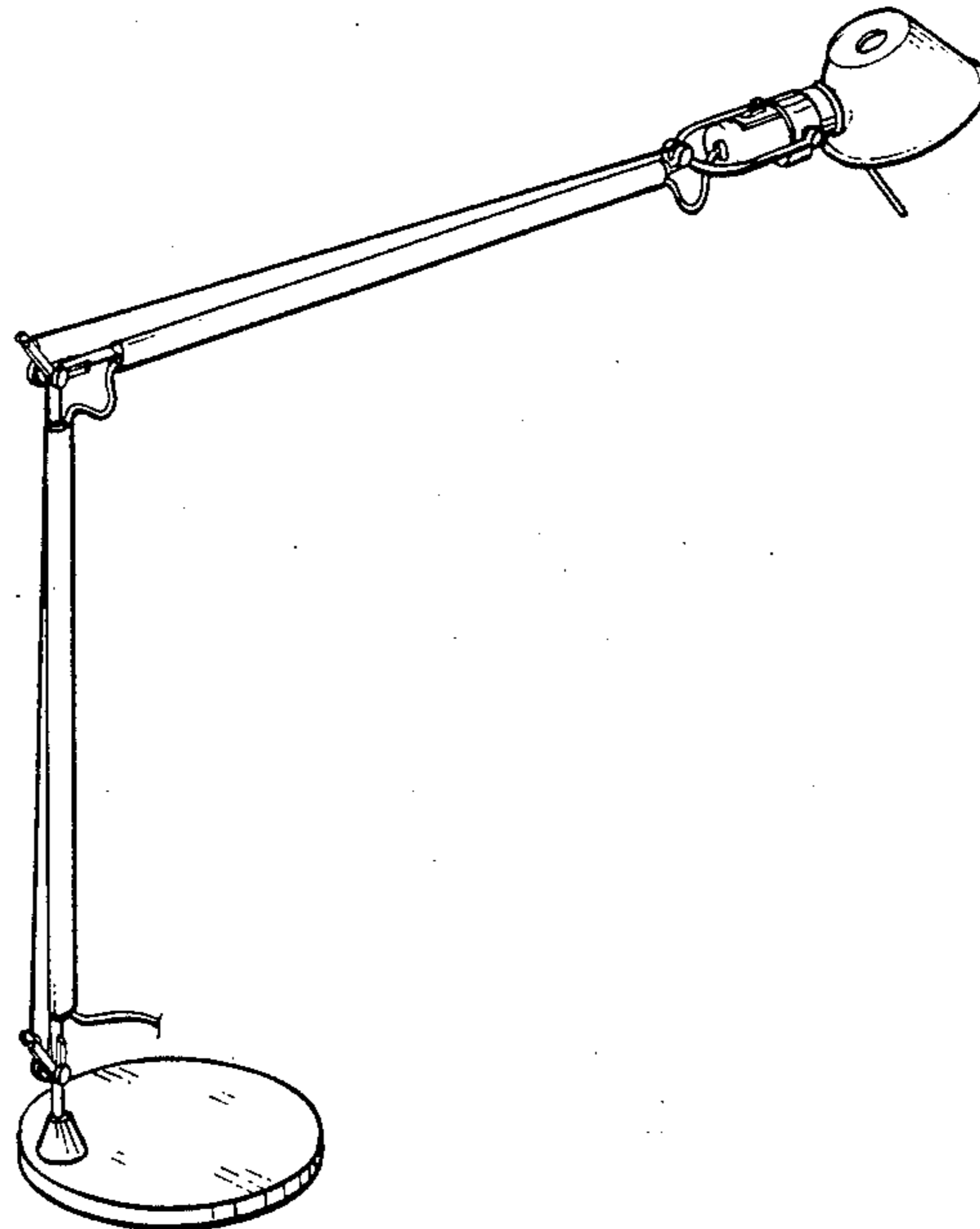
FIG. 3 is a front elevational view thereof on an enlarged scale;

FIG. 4 is a rear elevational view thereof on an enlarged scale;

FIG. 5 is a left side elevational view thereof on an enlarged scale;

FIG. 6 is a top plan view thereof on an enlarged scale;

FIG. 7 is a bottom plan view thereof on an enlarged scale.



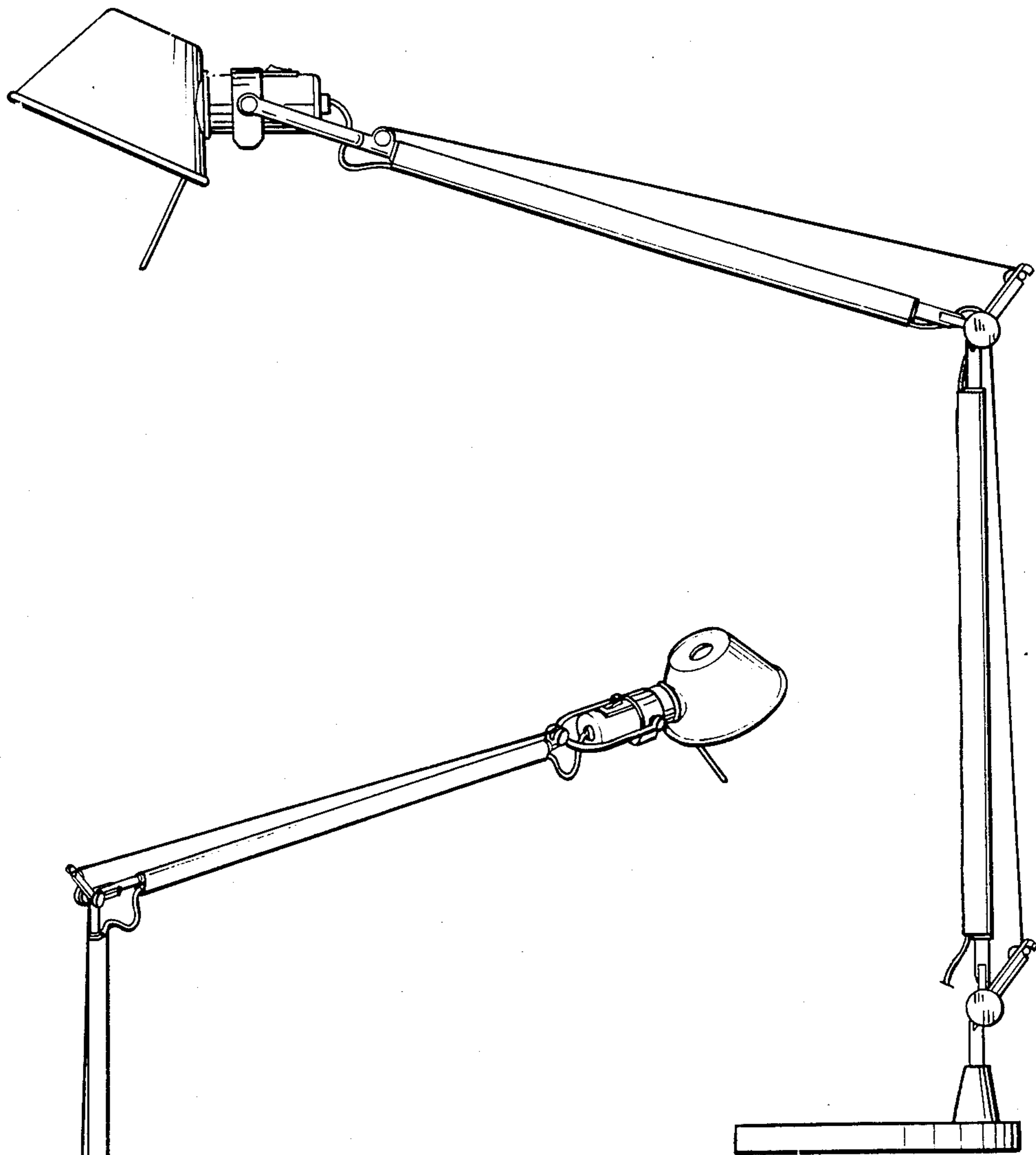


FIG. 1

FIG. 5

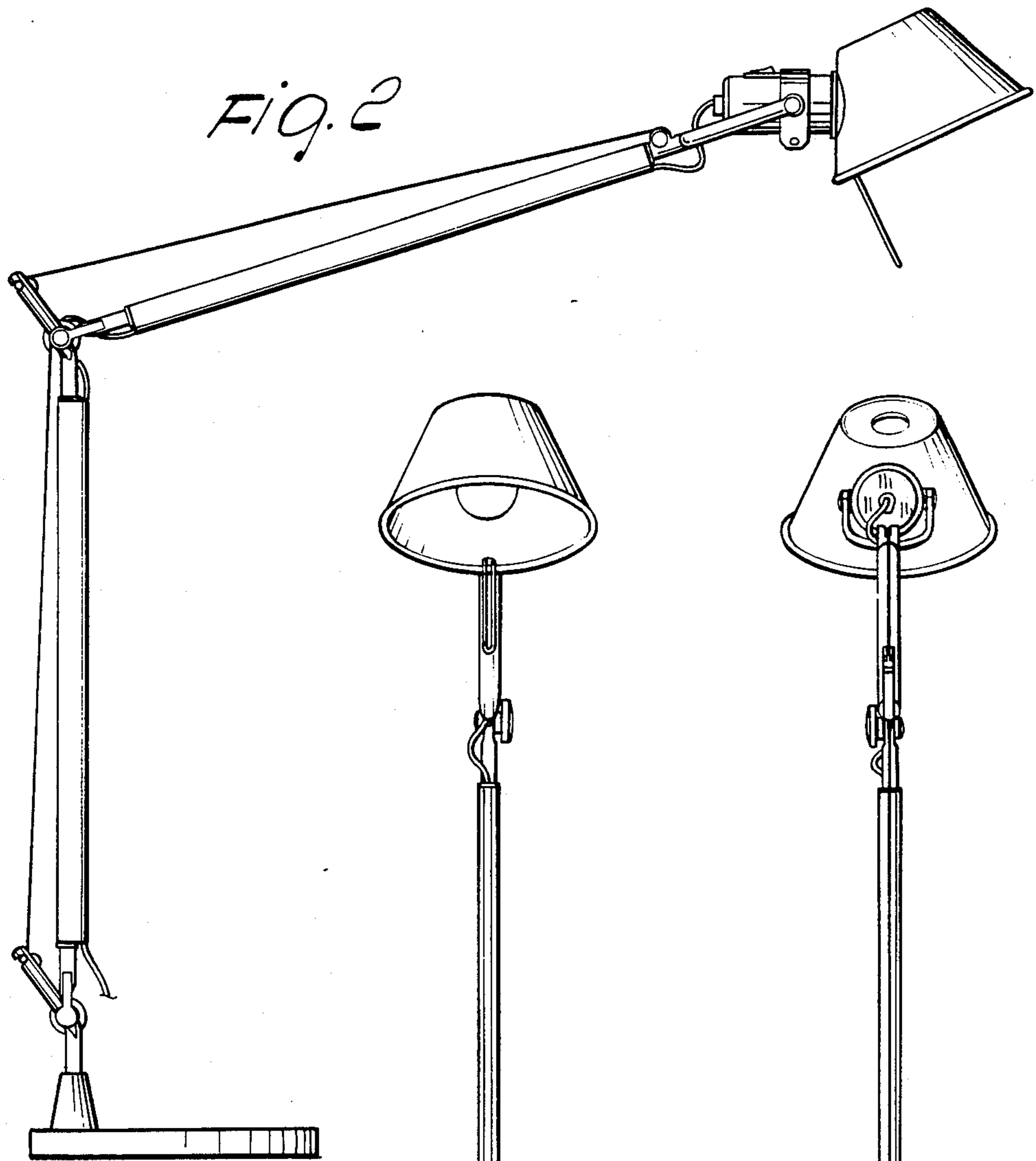


FIG. 3

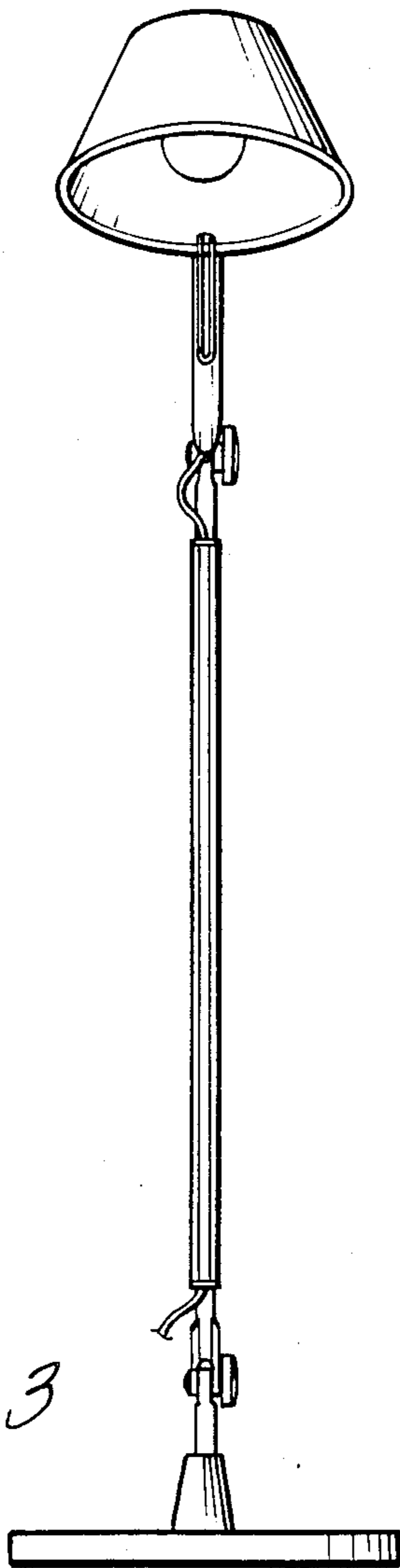
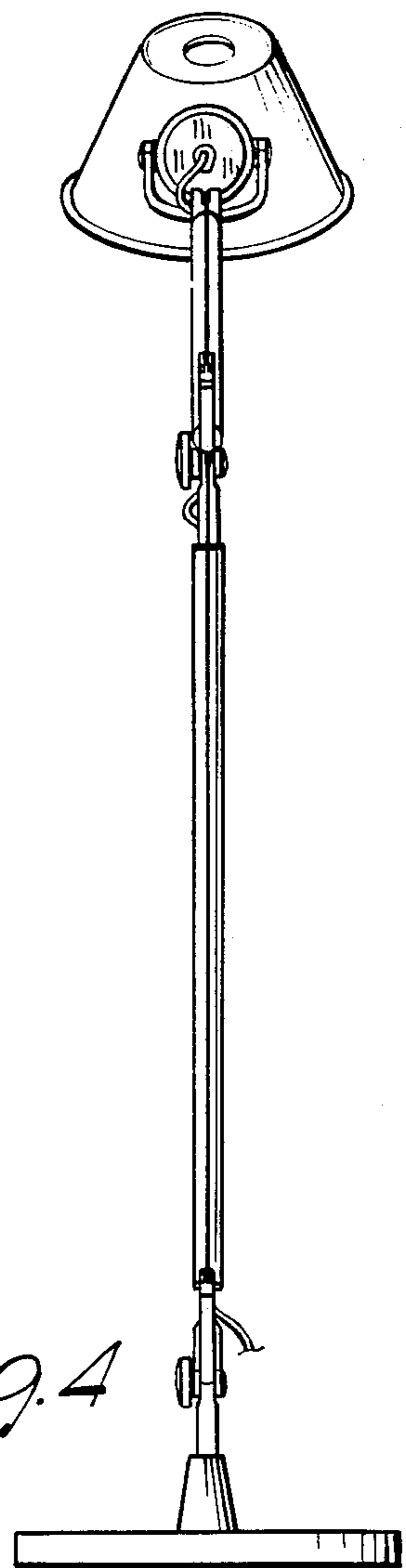


FIG. 4



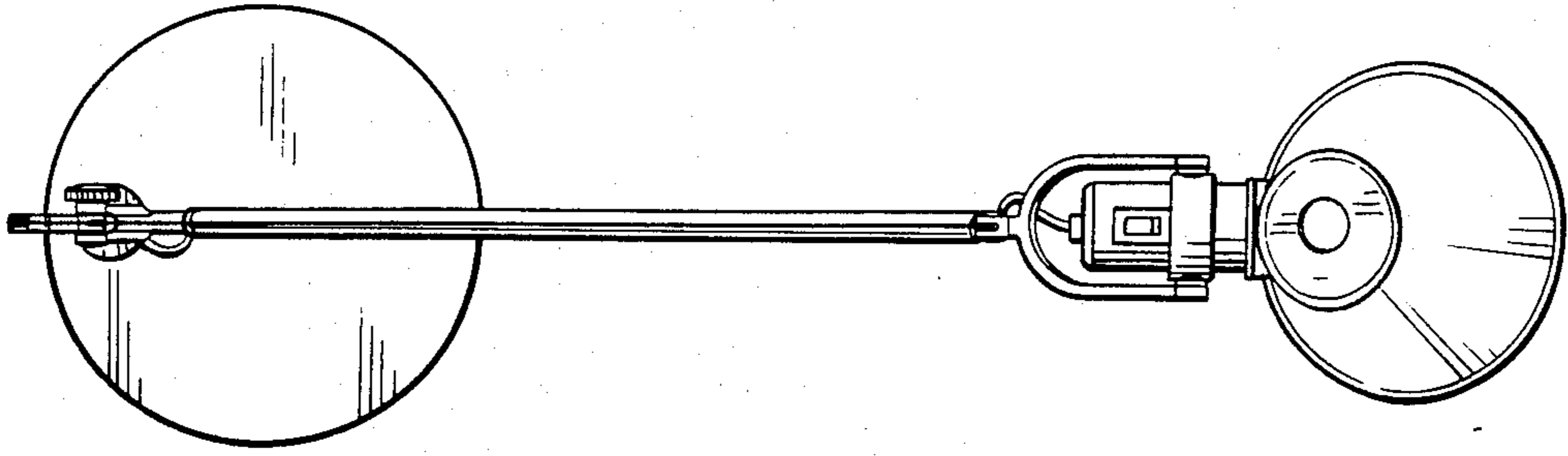


FIG. 6

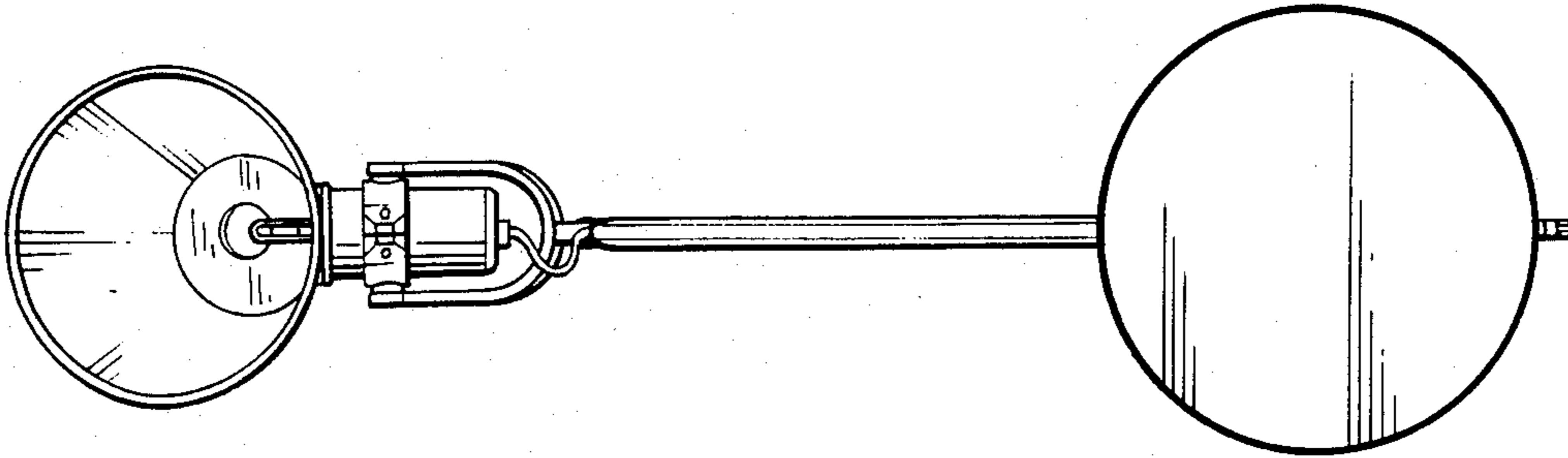


FIG. 7